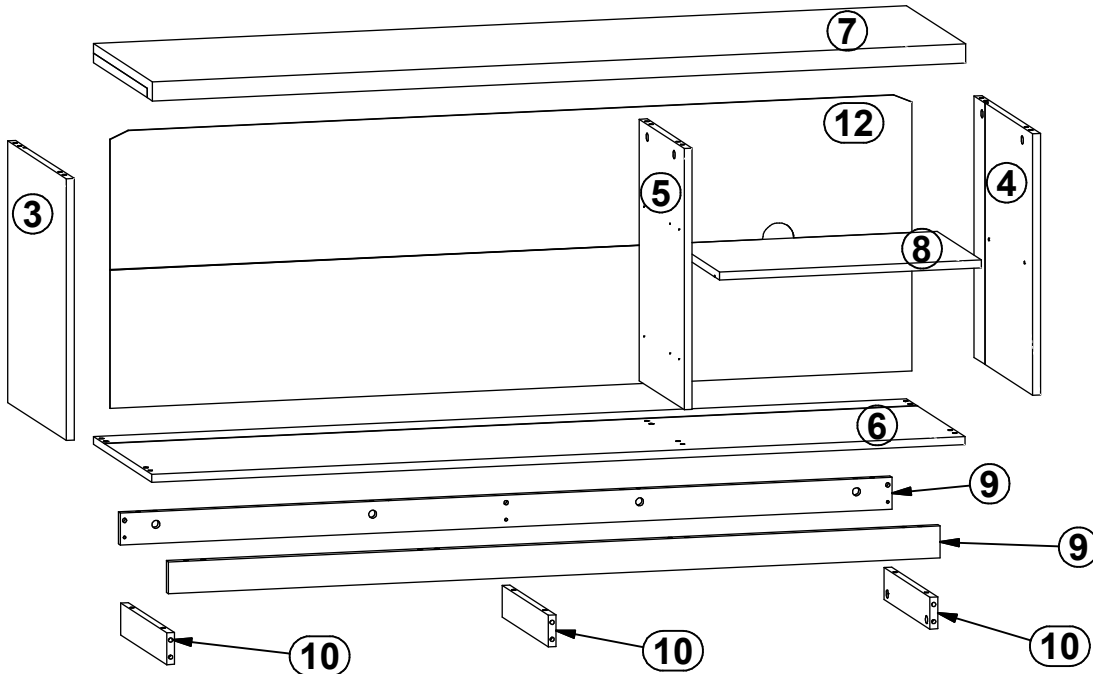
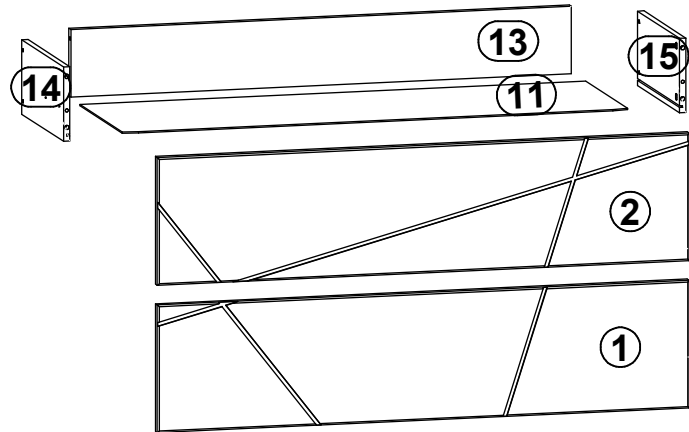
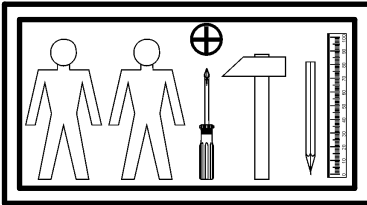
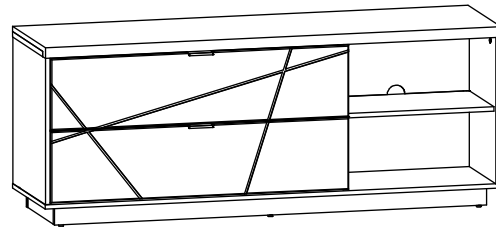
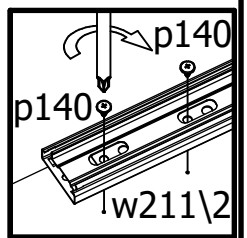
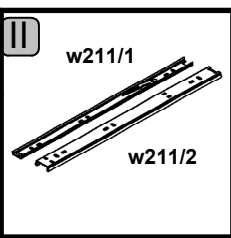
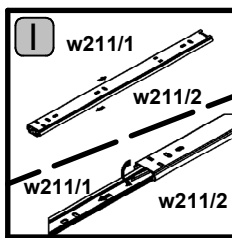
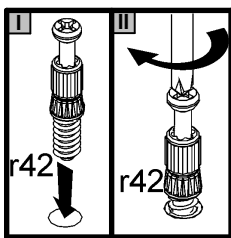
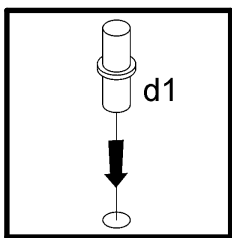
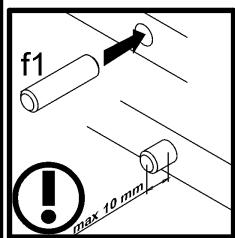
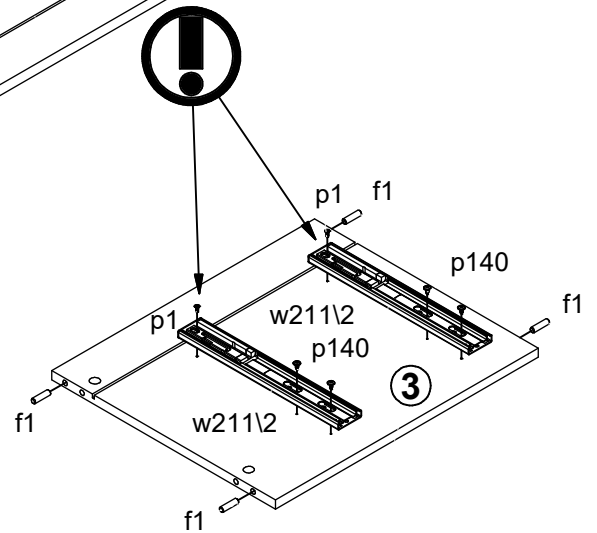
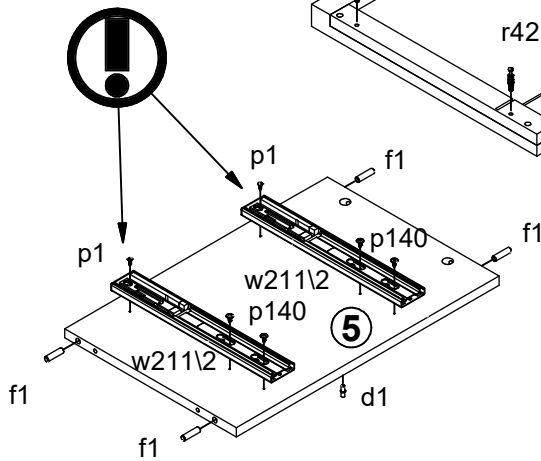
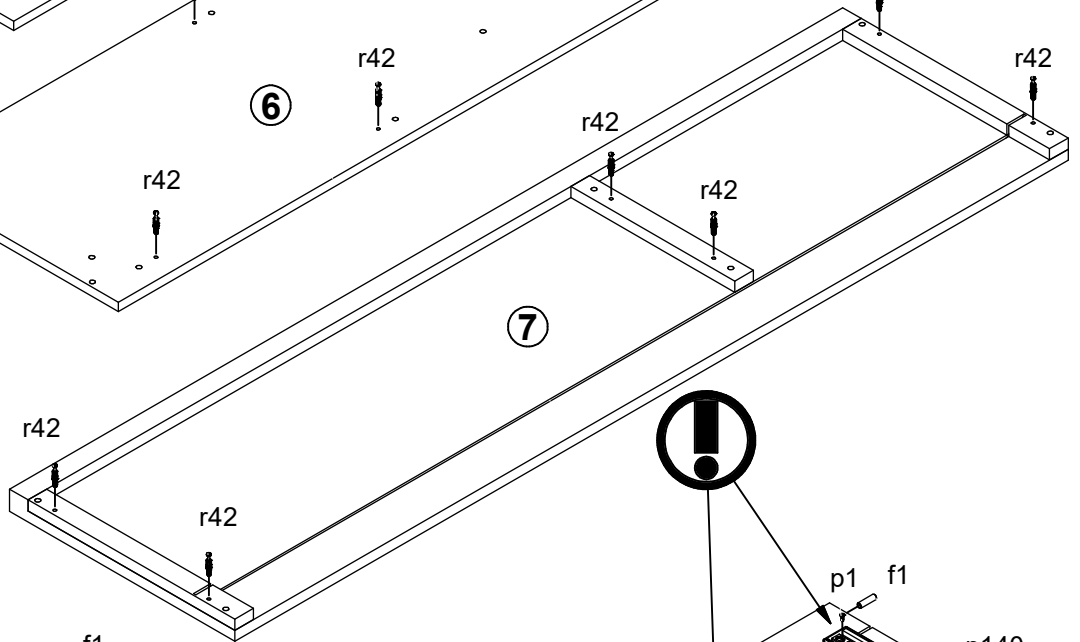
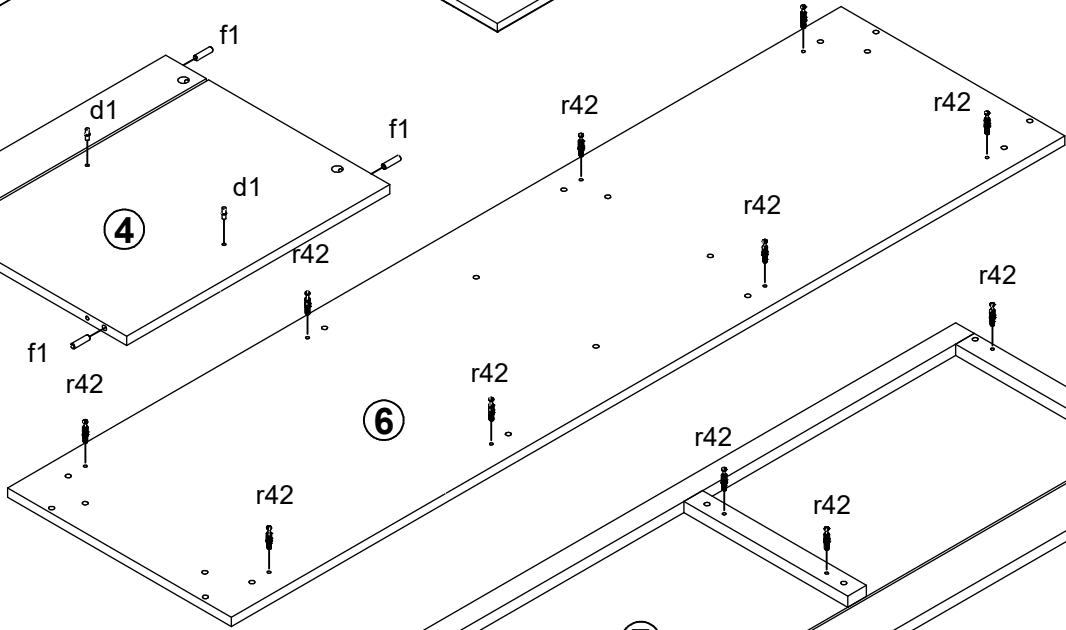
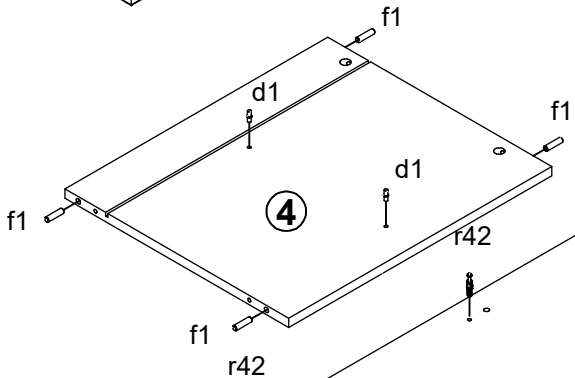
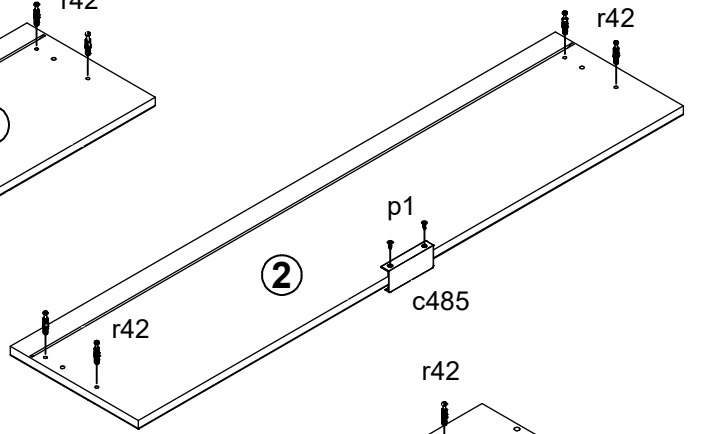
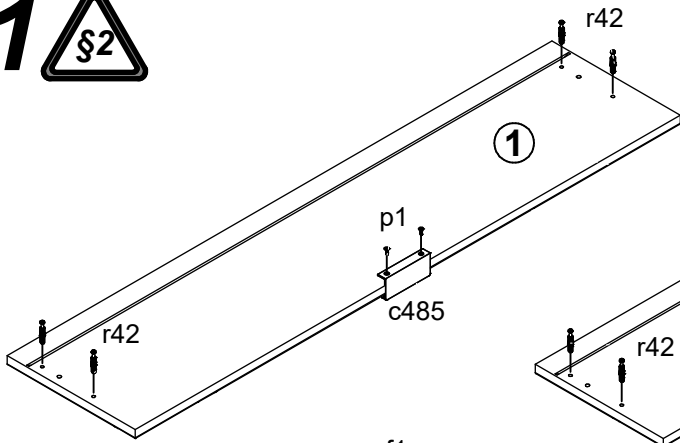


A	B	C	D
1	S471-0013	1020	240
2	S471-0014	1020	240
3	S471-1011	492	419
4	S471-1012	492	419
5	S471-1013	492	321
6	S471-2009	1560	419
7	S471-2010	1560	422
8	S471-3008	502	315
9	S471-4001	1480	60
10	S471-4002	329	60
11	S471-9004	970	307
12	S471-9304	521	1538
13	ZK3-5121	960	127
14	ZK4-511	300	140
15	ZK4-512	300	140

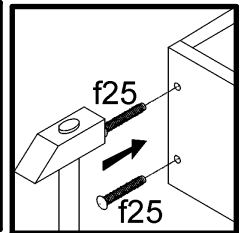
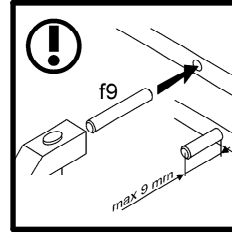
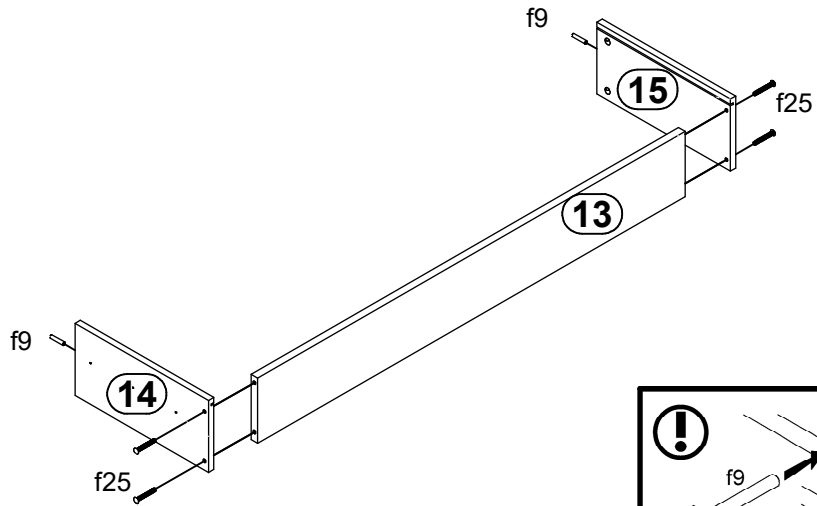


2x 64 mm c485	4x Ø5x17 mm d1	6x Ø7x50 mm e1	32x Ø8x30 mm f1	8x Ø6.5x40 mm f25	4x Ø6x30 mm f9	6x k1	10x l2	8x Ø3.5x13 mm p1
20x Ø3.5x12 mm p140	4x Ø3.5x16 mm p25	4x Ø3.5x10 mm p35	13x Ø3.5x16 mm p38	3x Ø2.9x16 mm p55	20x Ø15x12 mm #16 r1	8x Ø12x10.5 mm #12 r15	28x 20/11 r42	4x 300 mm t25
4x L=300 mm w211\1	4x L=300 mm w211\2	2x Ø 20mm s68	1x 4 mm z1	1x n26\1				

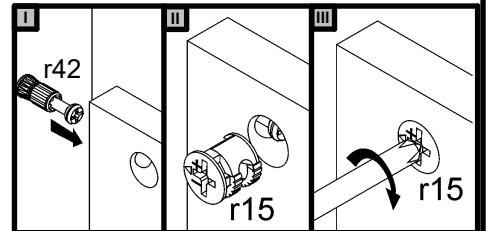
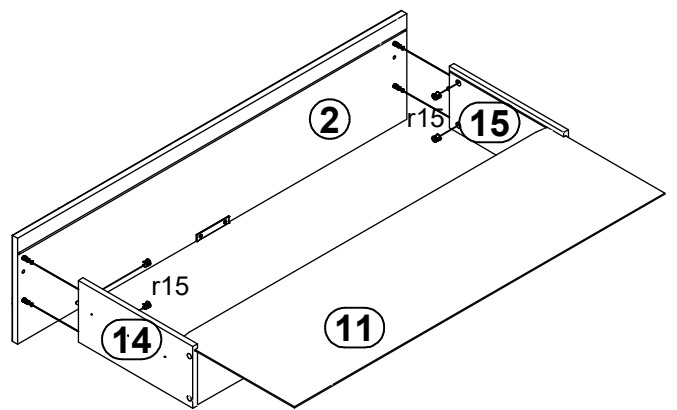
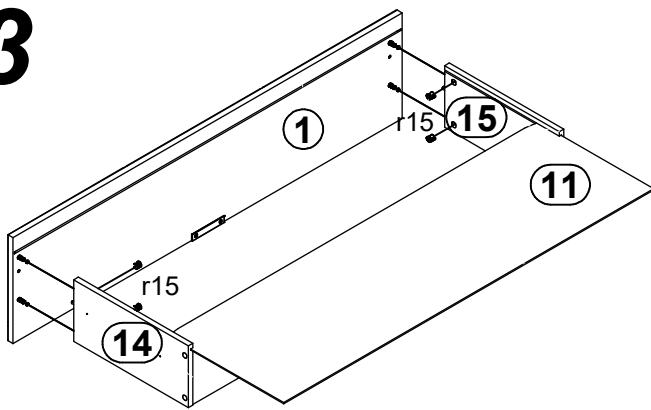
1 



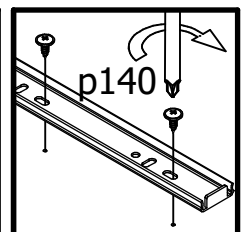
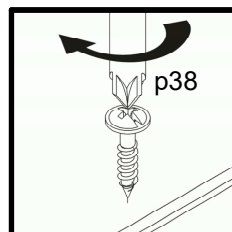
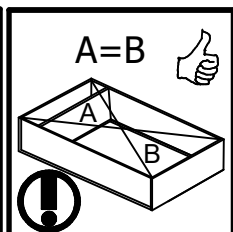
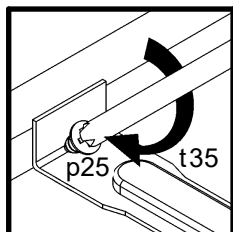
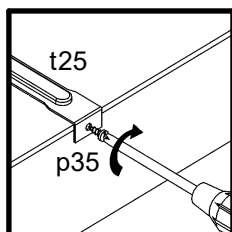
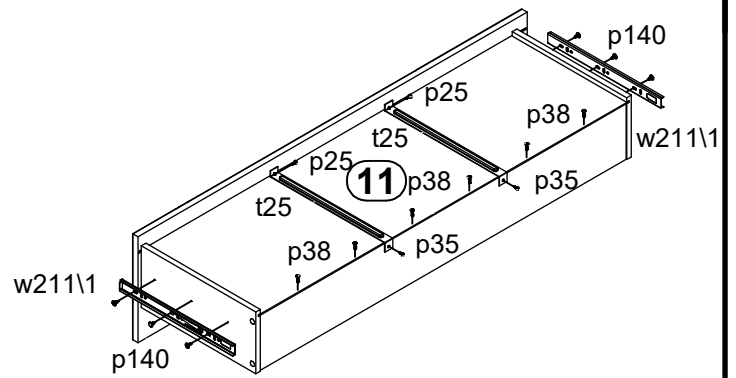
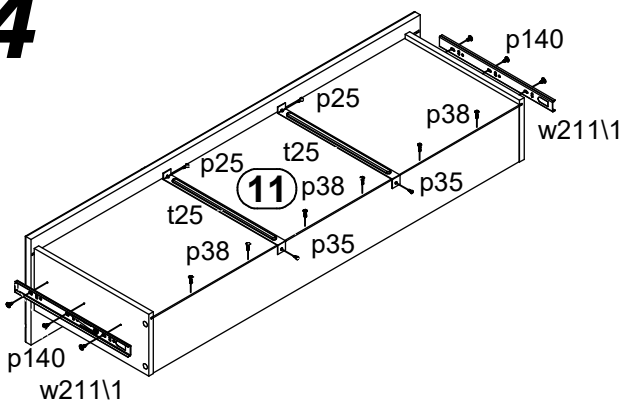
2



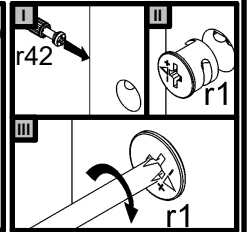
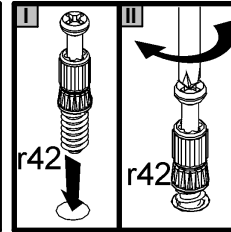
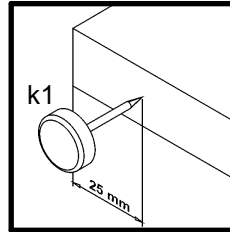
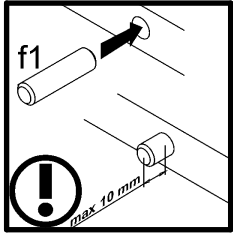
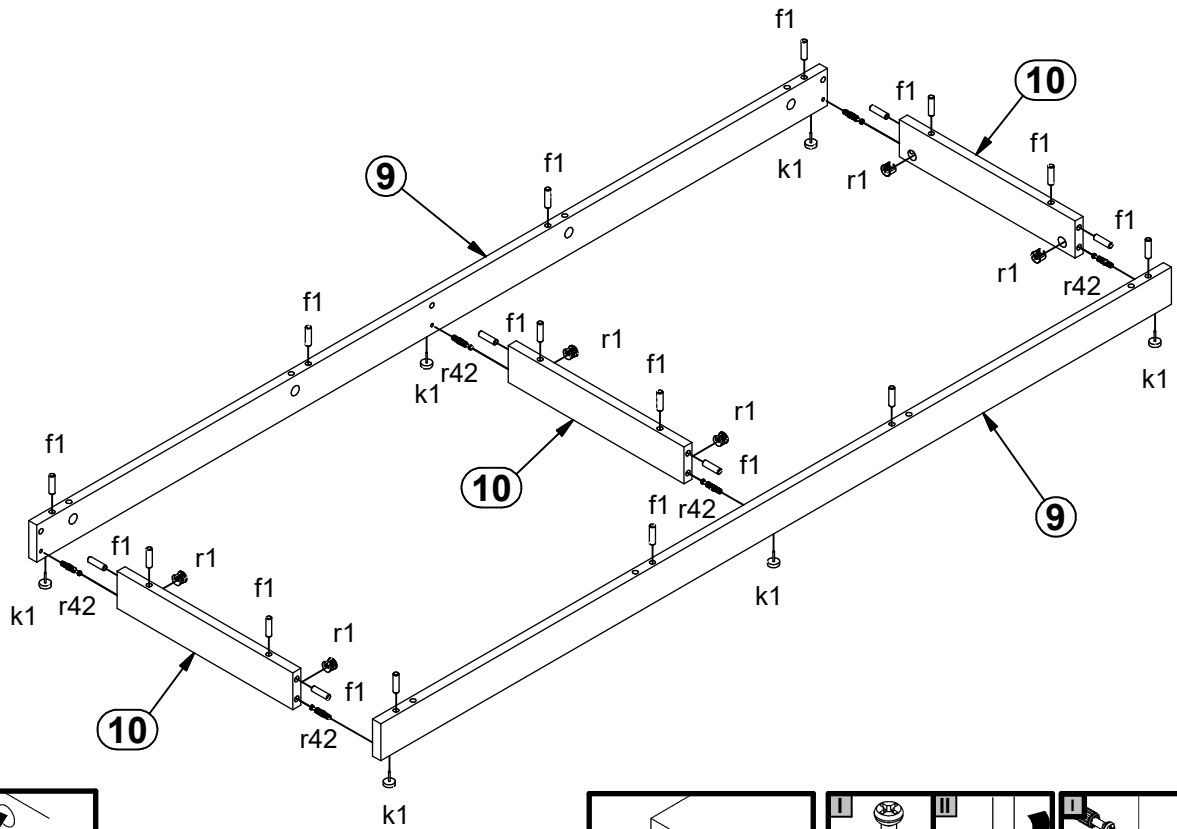
3



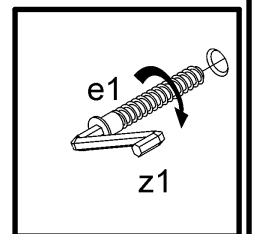
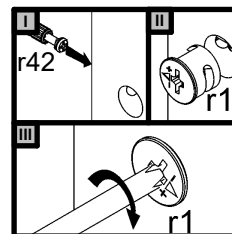
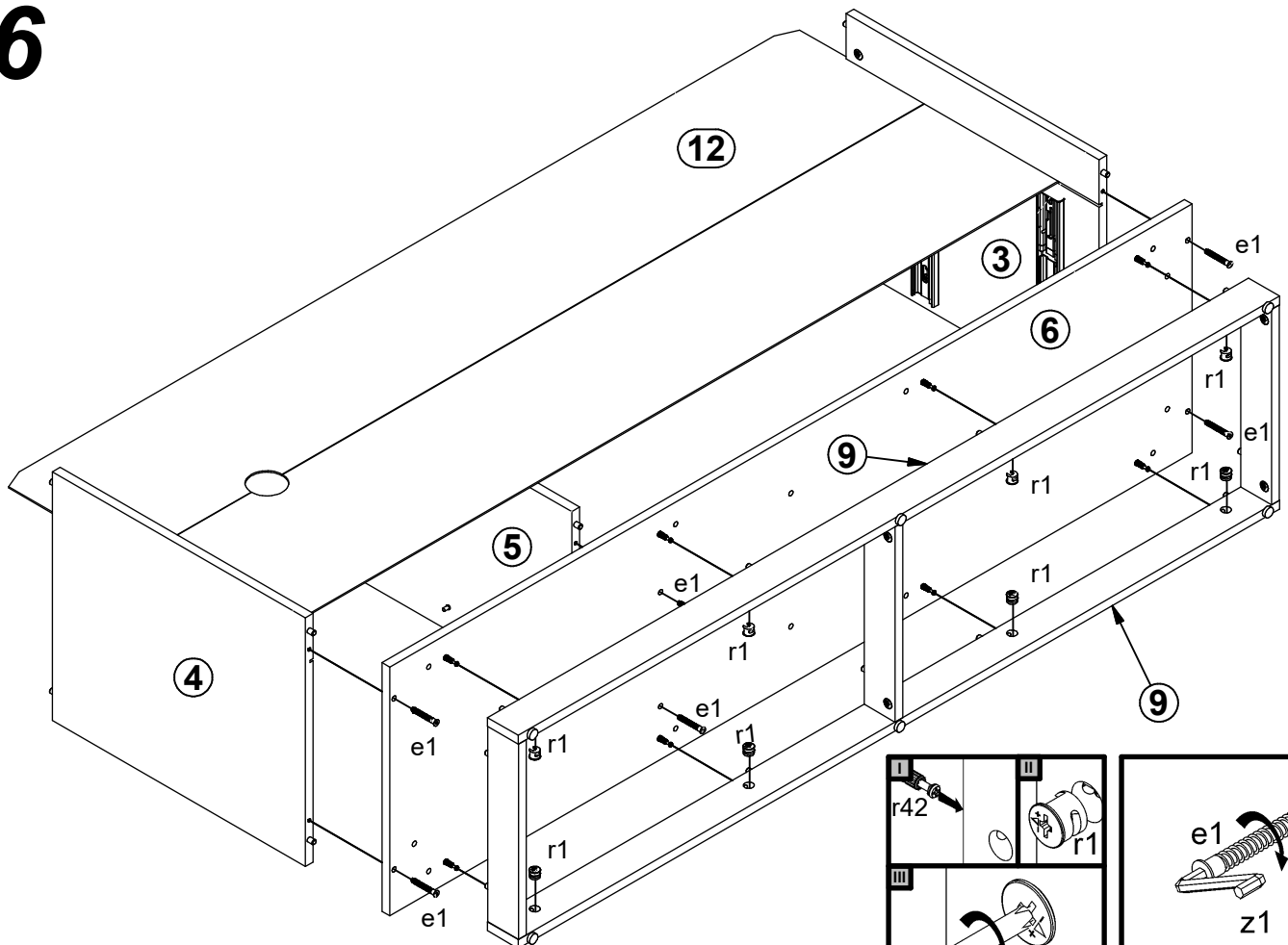
4



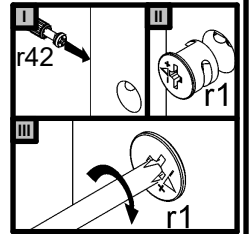
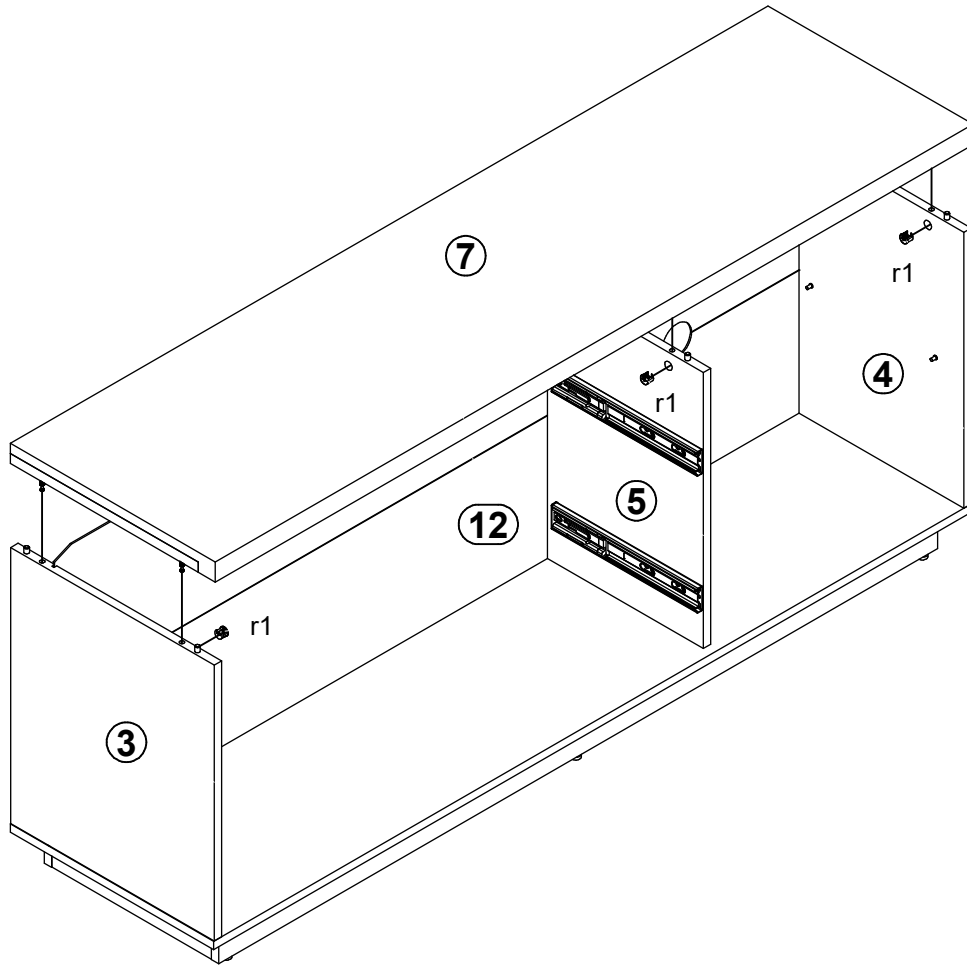
5



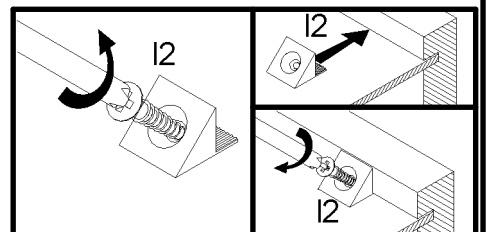
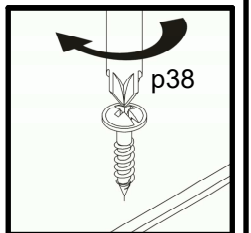
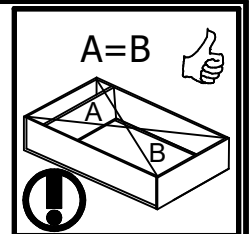
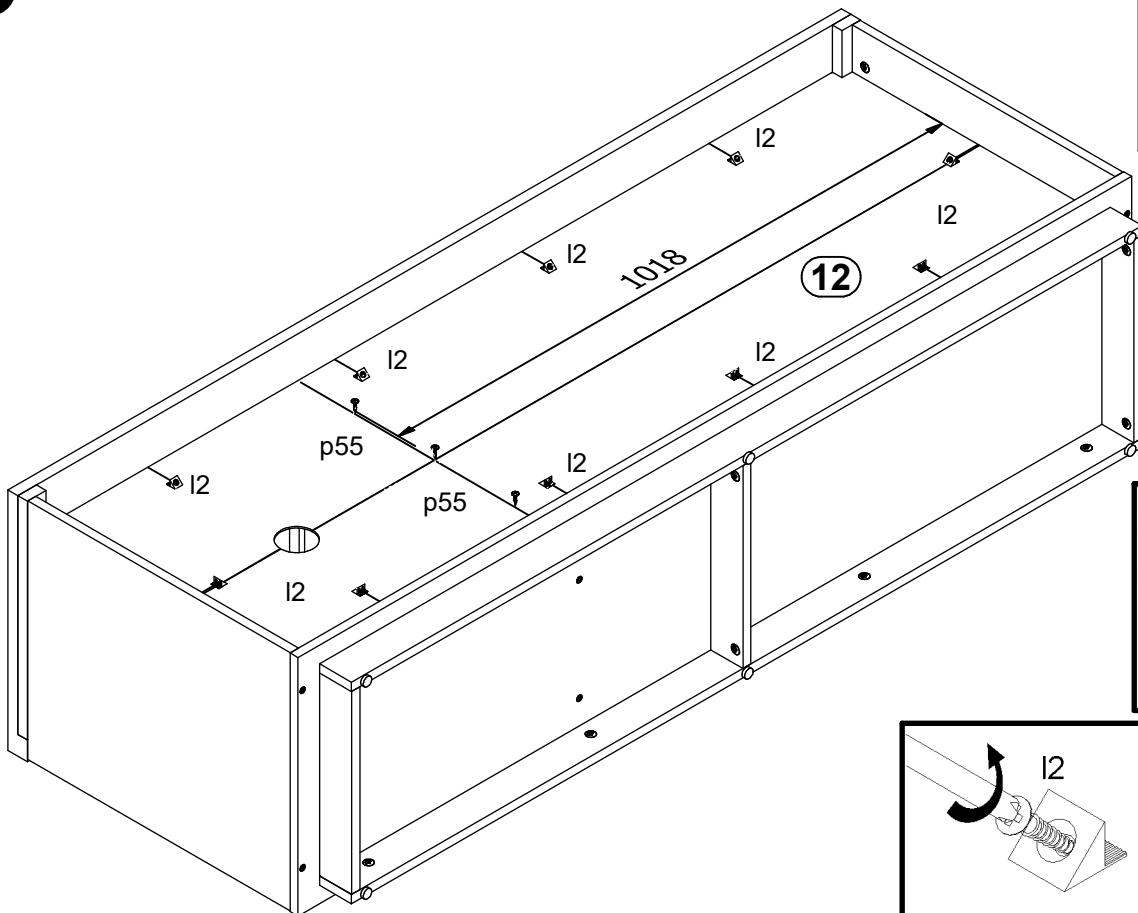
6



7



8



9

