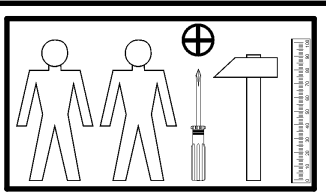
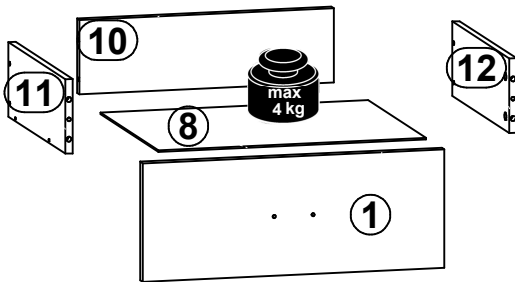
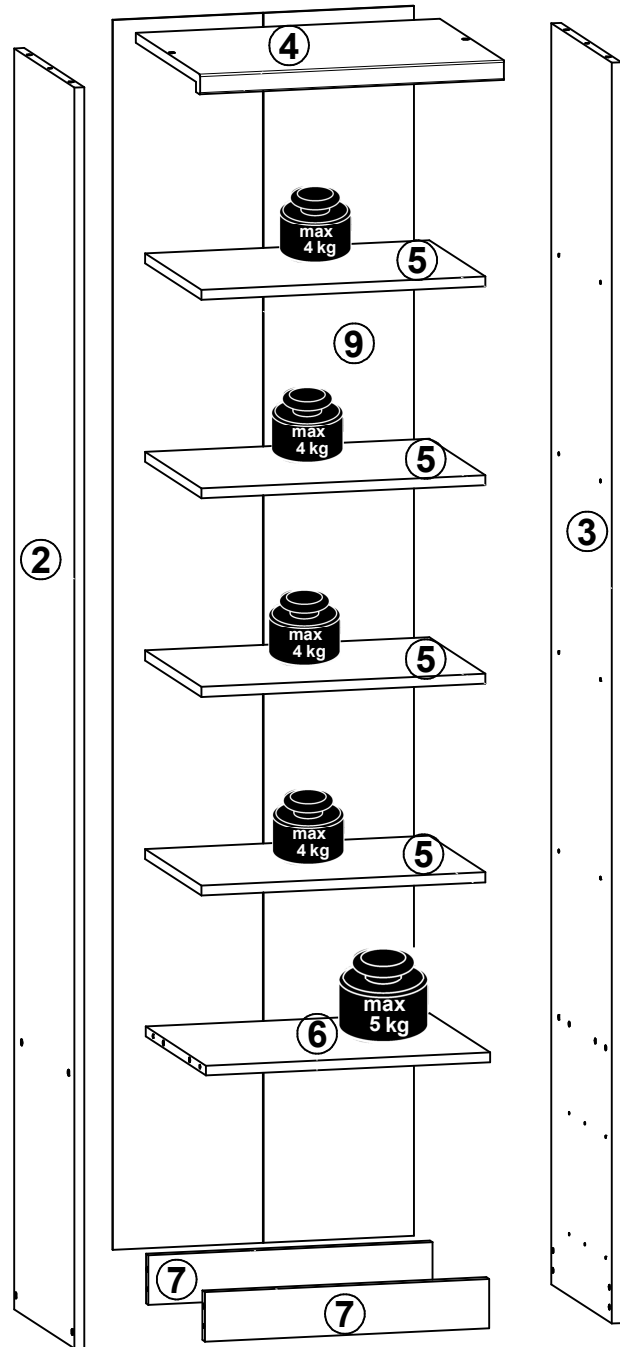
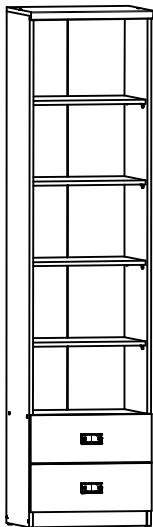


A

MALCOLM 35-366 S325-REG2S/50

A	B	C	D
1	S325-011	496	191
2	S325-116	2032	370
3	S325-117	2032	370
4	S325-206	500	395
5	S325-313	467	345
6	S325-314	467	370
7	S325-408	467	80
8	S325-911	440	355
9	S325-912	1982	495
10	ZS3-5561	418	120
11	ZS4-501	350	120
12	ZS4-502	350	120



2x 64 mm c417	16x d28	10x Ø7x50 mm e1	12x Ø6x13 mm e3	8x Ø5x9 mm e19	16x Ø6,3x10 mm e51	12x Ø8x30 mm f1	4x Ø6x30 mm f9	8x Ø6,5x40 mm f25
4x M4x22 mm j30	4x k1	55x l1	4x silikon o21	12x Ø3,5x16 mm p38	8x Ø12x10,5 mm #12 r15	8x 20x11 r42	2x 350 mm w45\CL	2x 350 mm w45\CR
2x 350 mm w45\DL	2x 350 mm w45\DR	8x s1	1x n26\1	1x Ø3,5x16 mm p38	1x z1			

