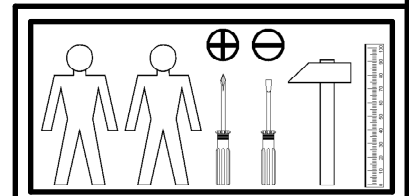
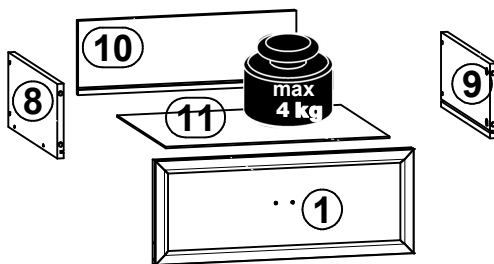
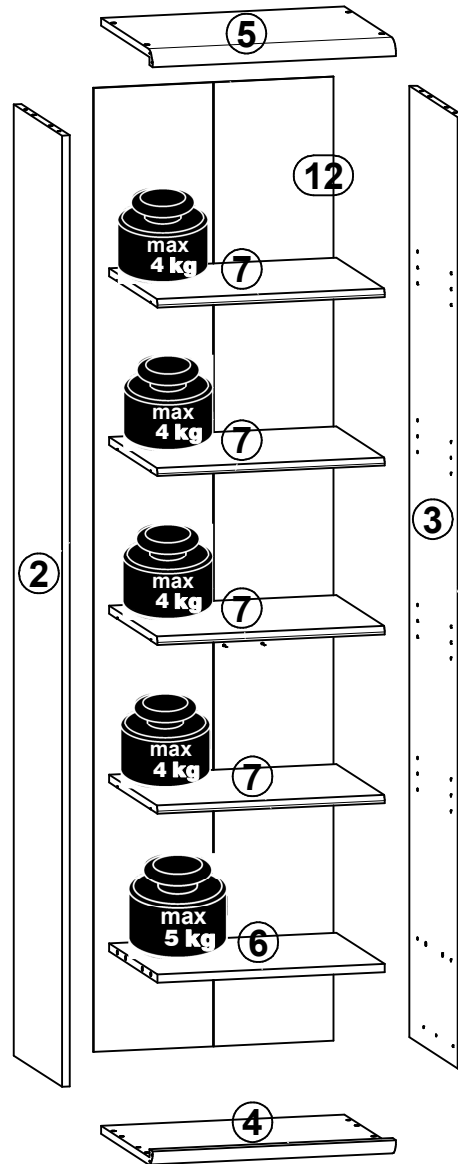
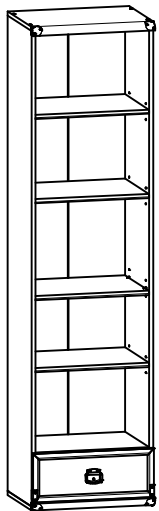
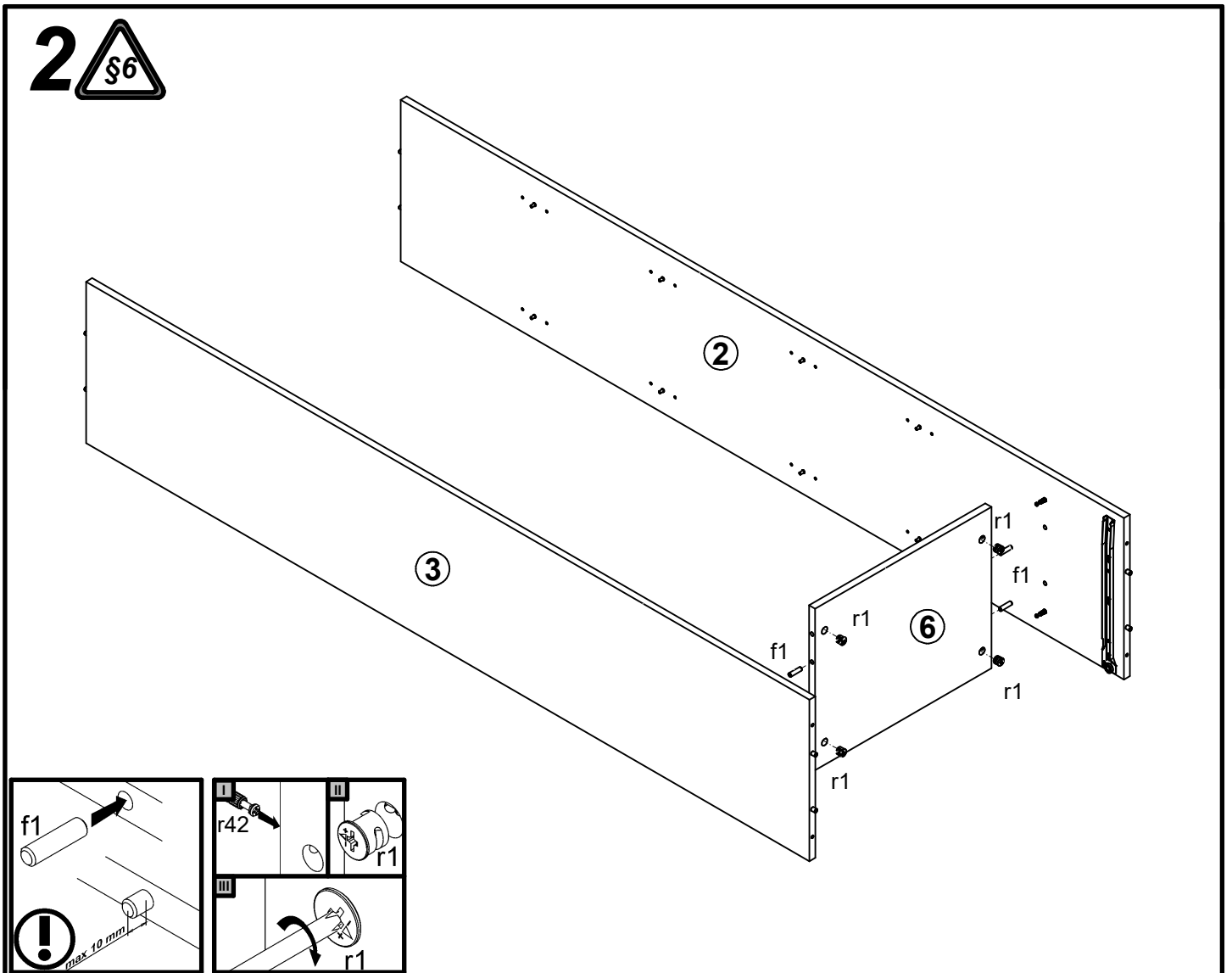
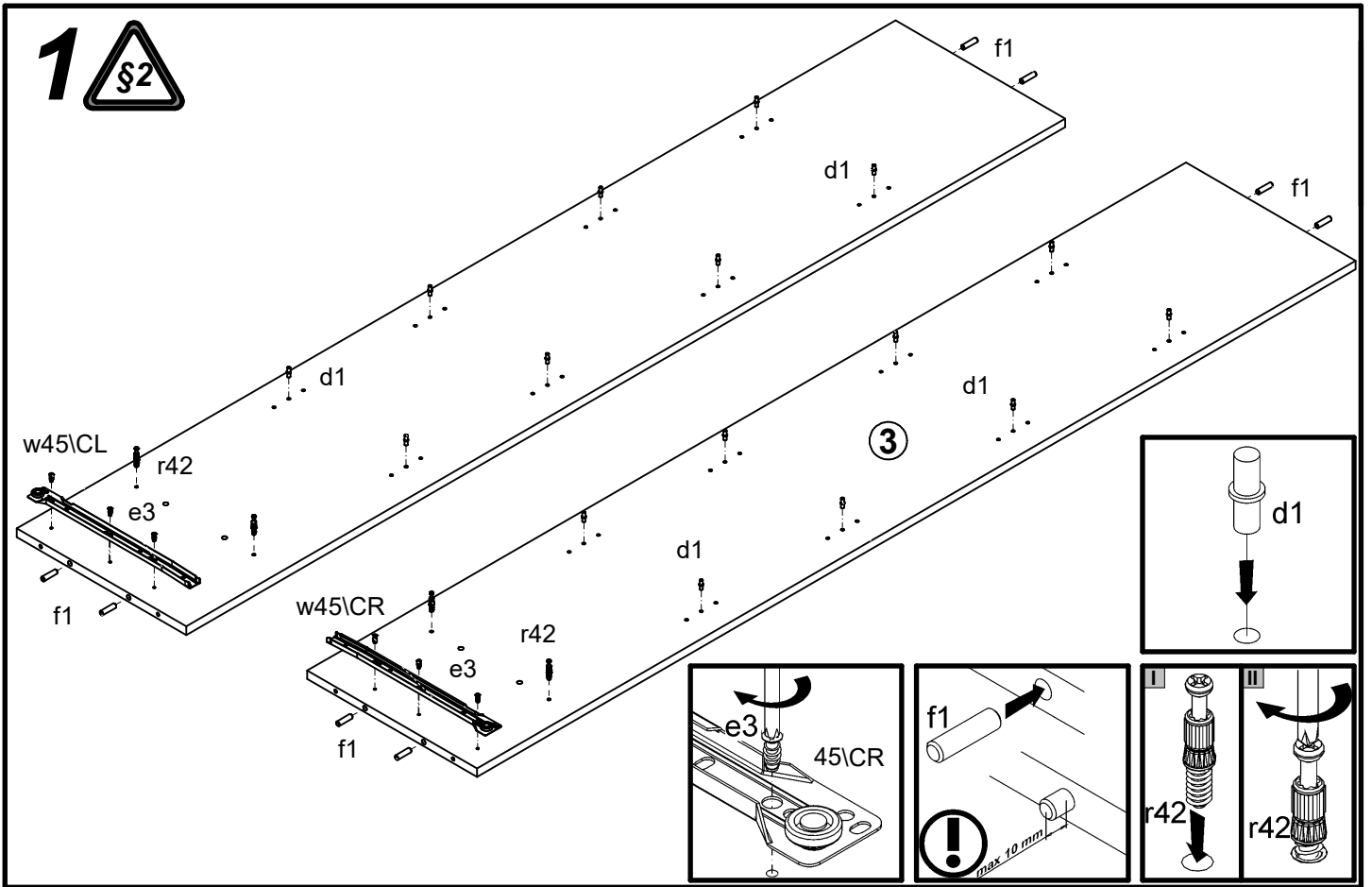
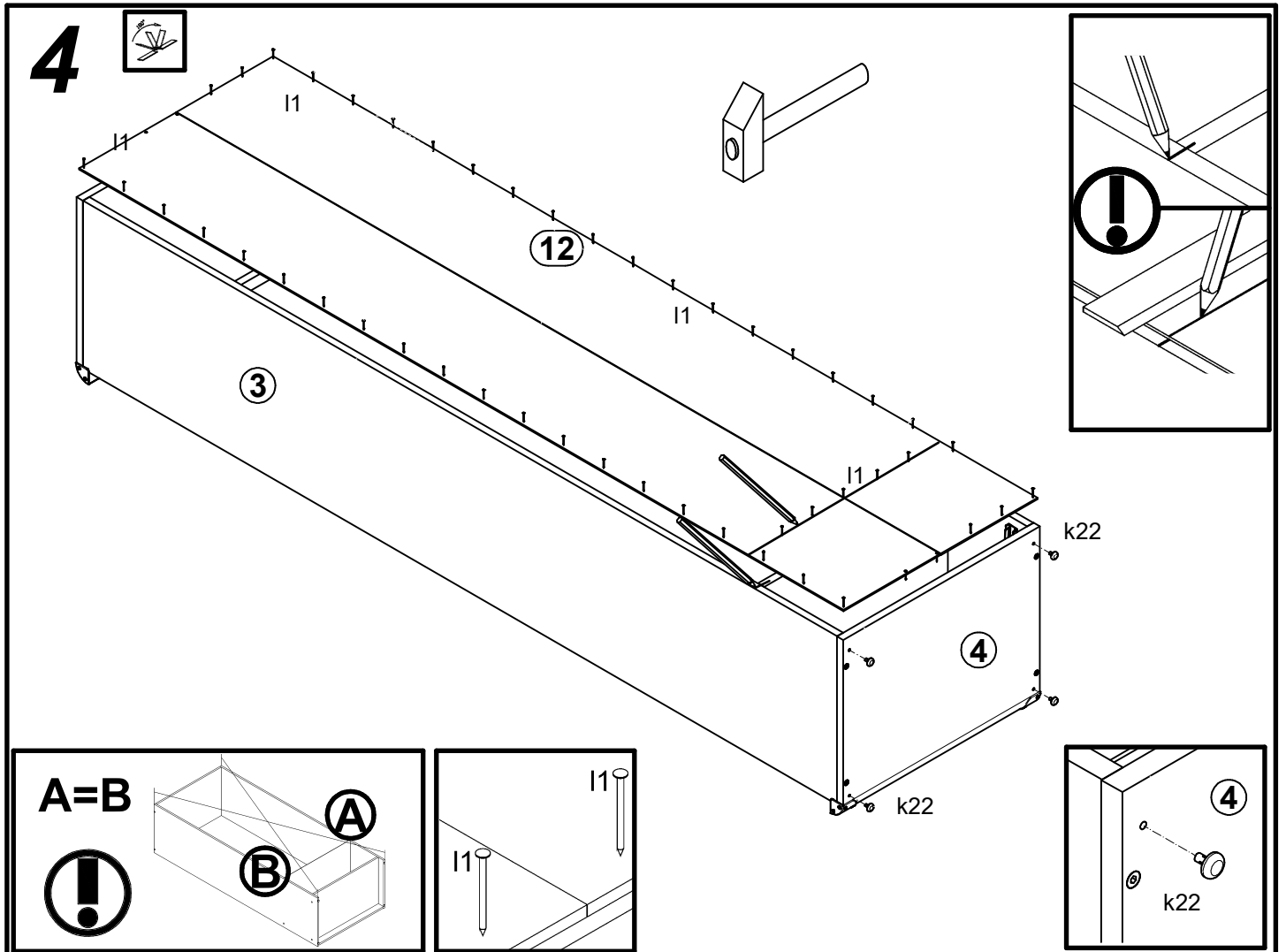
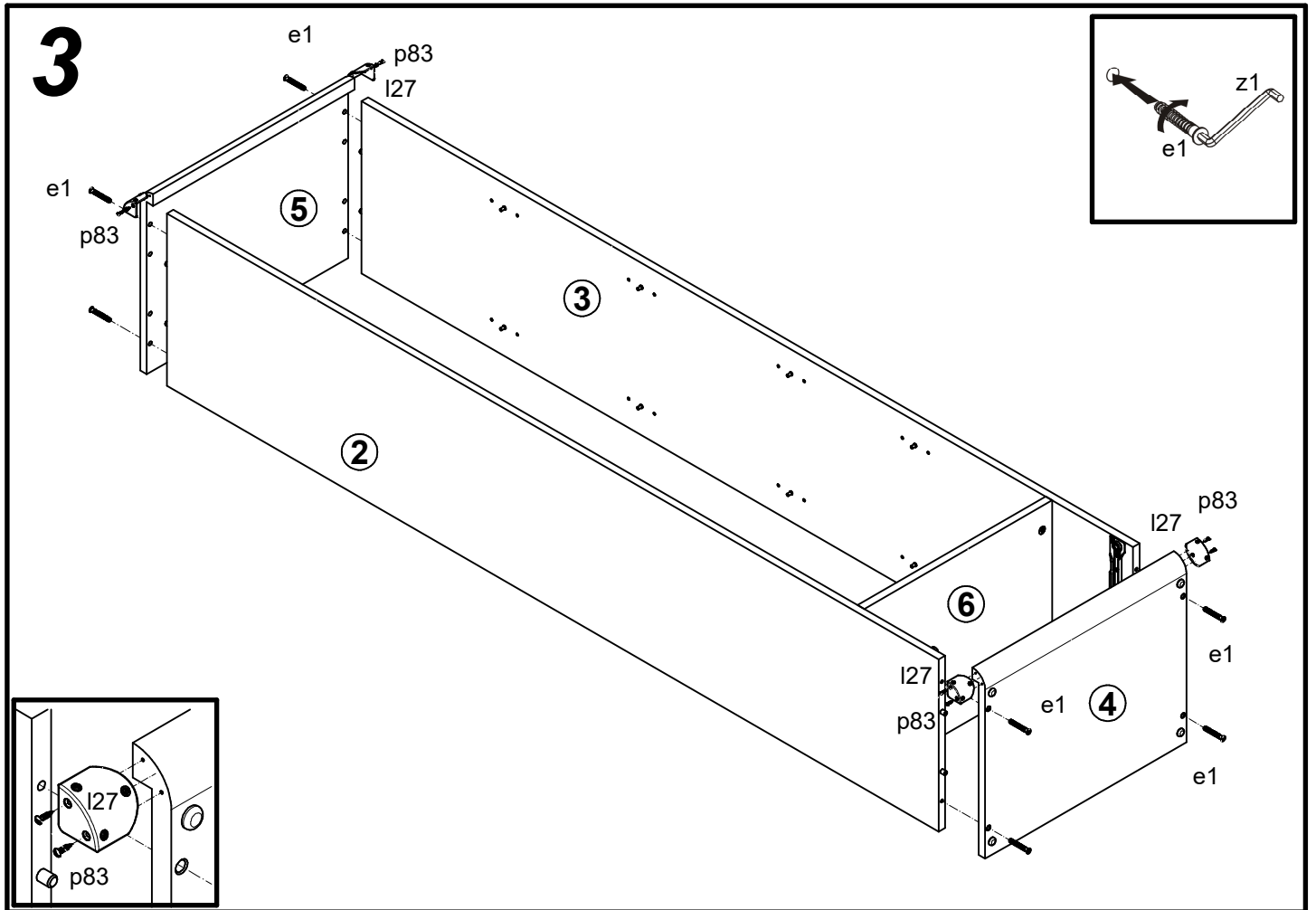


A	B	C	D	
1	S31-015	496	196	3/3
2	S31-117	1916	370	1/3
3	S31-118	1916	370	1/3
4	S31-204	500	395	2/3
5	S31-209	500	395	2/3
6	S31-303	467	370	1/3
7	S31-304	467	370	1/3
8	S31-504	350	140	1/3
9	S31-505	350	140	1/3
10	S31-506	418	140	1/3
11	S31-903	429	348	1/3
12	S31-911	1942	493	1/3



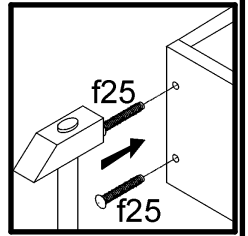
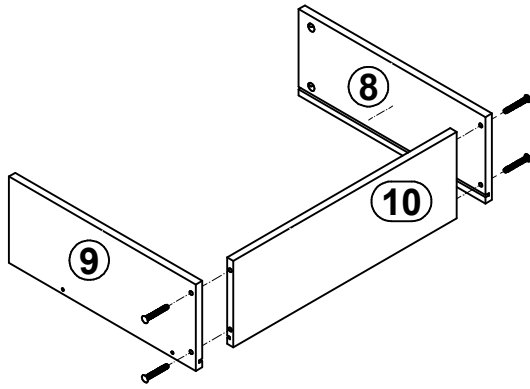
1x c158	16x d1 Ø5x17 mm	8x e1 Ø7x50 mm	6x e3 Ø6x13 mm	4x e19 Ø5x9 mm	12x f1 Ø8x30 mm	4x f25 Ø6.5x40 mm	2x j30 M4x22 mm	4x k22 Ø15
60x l1	4x l27	1x l28/L	1x l28/P	8x r42	12x p83 Ø3x12 mm	4x r1 Ø15x12 mm #16	4x r15 Ø12x10.5 mm #12	1x w45/CL 350 mm
1x w45/CR 350 mm	1x w45/DL 350 mm	1x w45/DR 350 mm	1x z1 4 mm	1x n26/l1	1x p38 Ø3.5x16 mm			



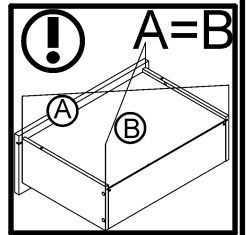
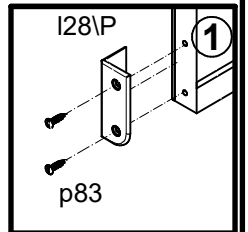
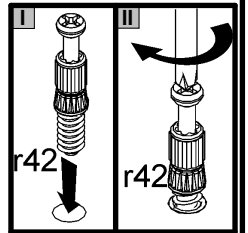
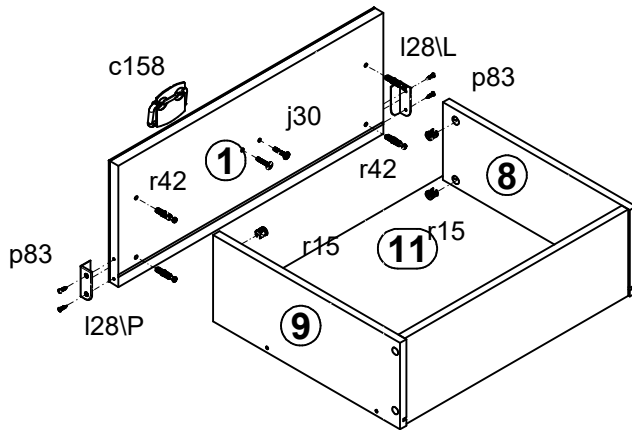


# 5

I



II



III

