

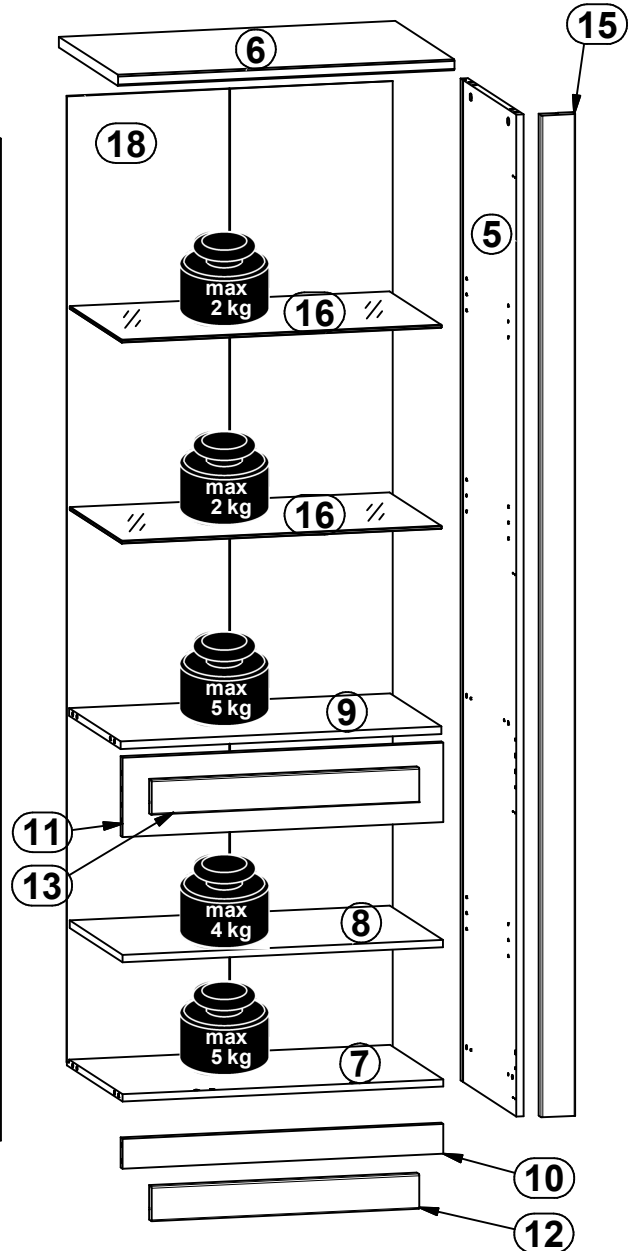
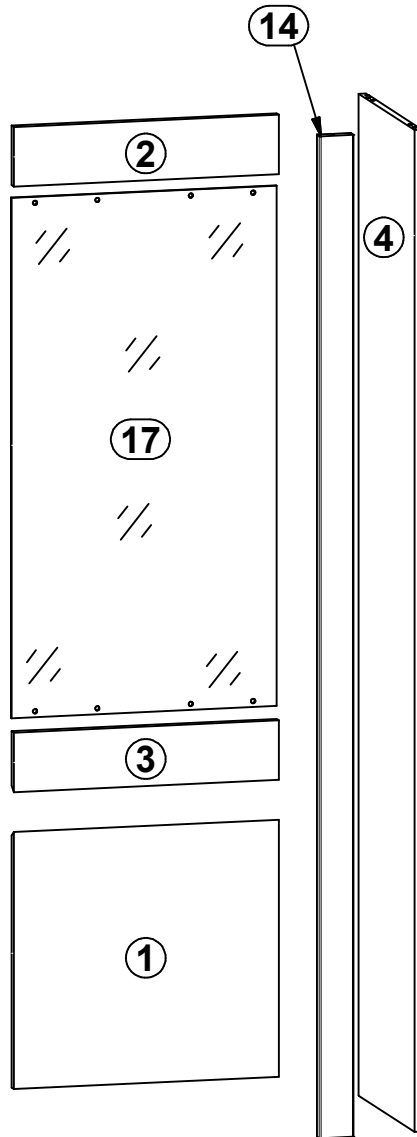
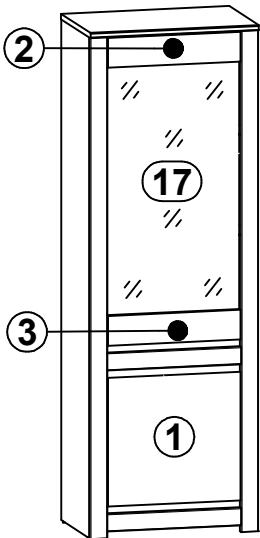
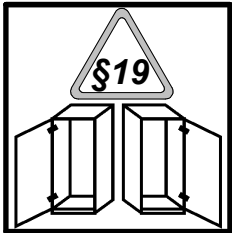
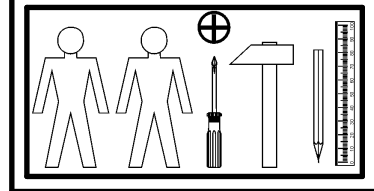
A

KADA

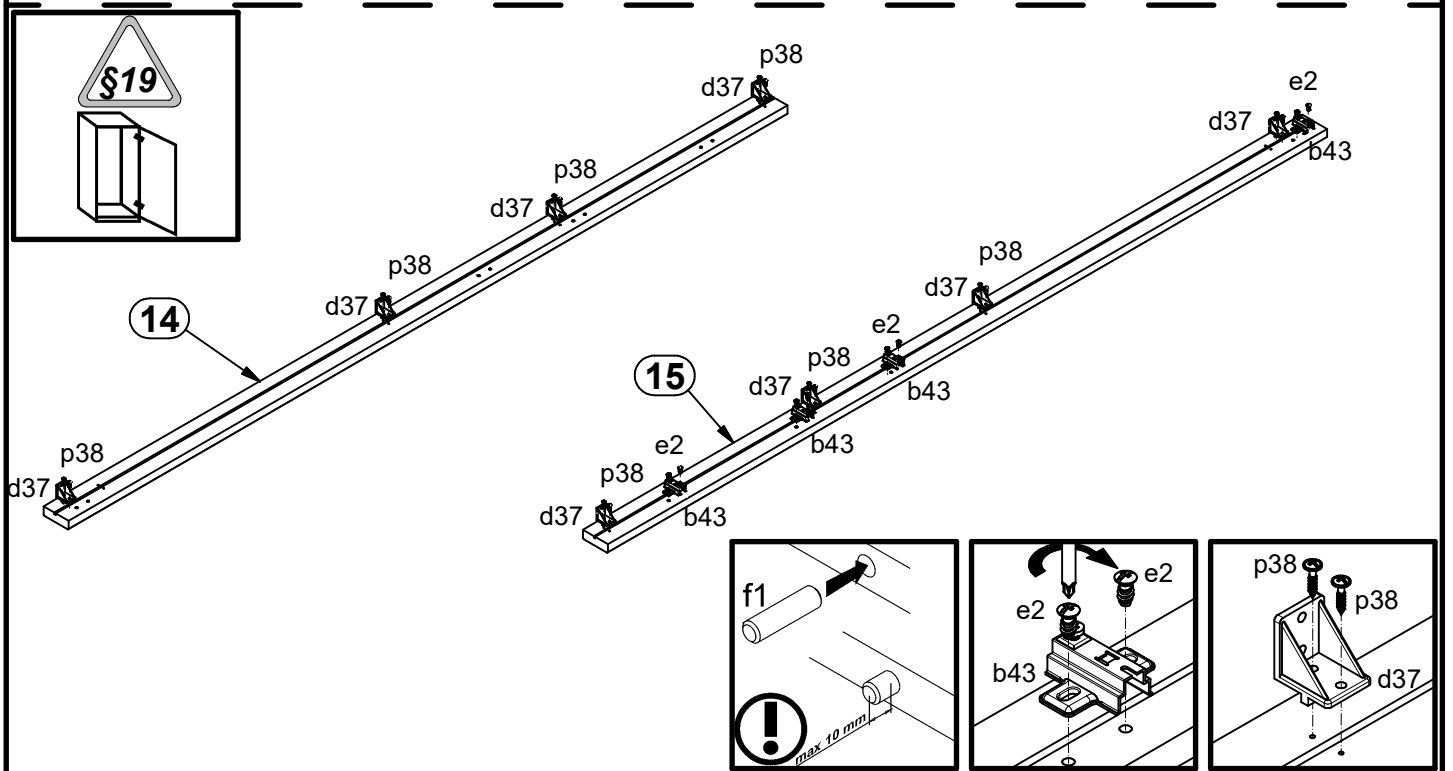
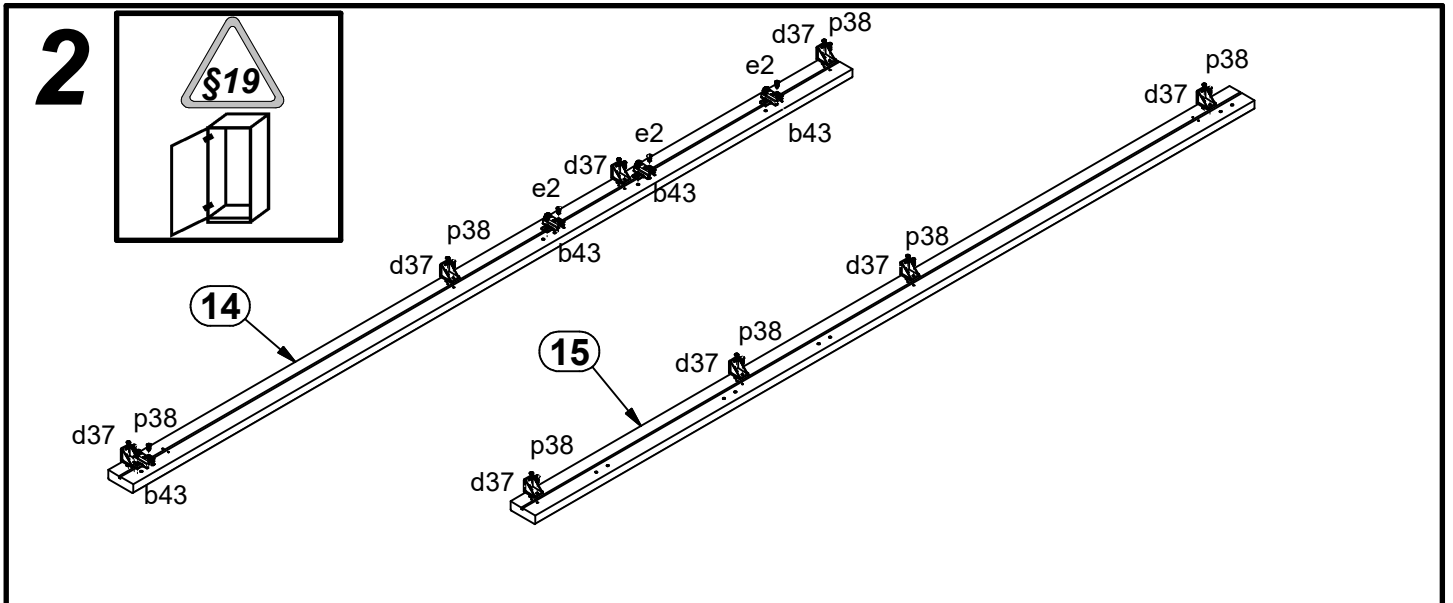
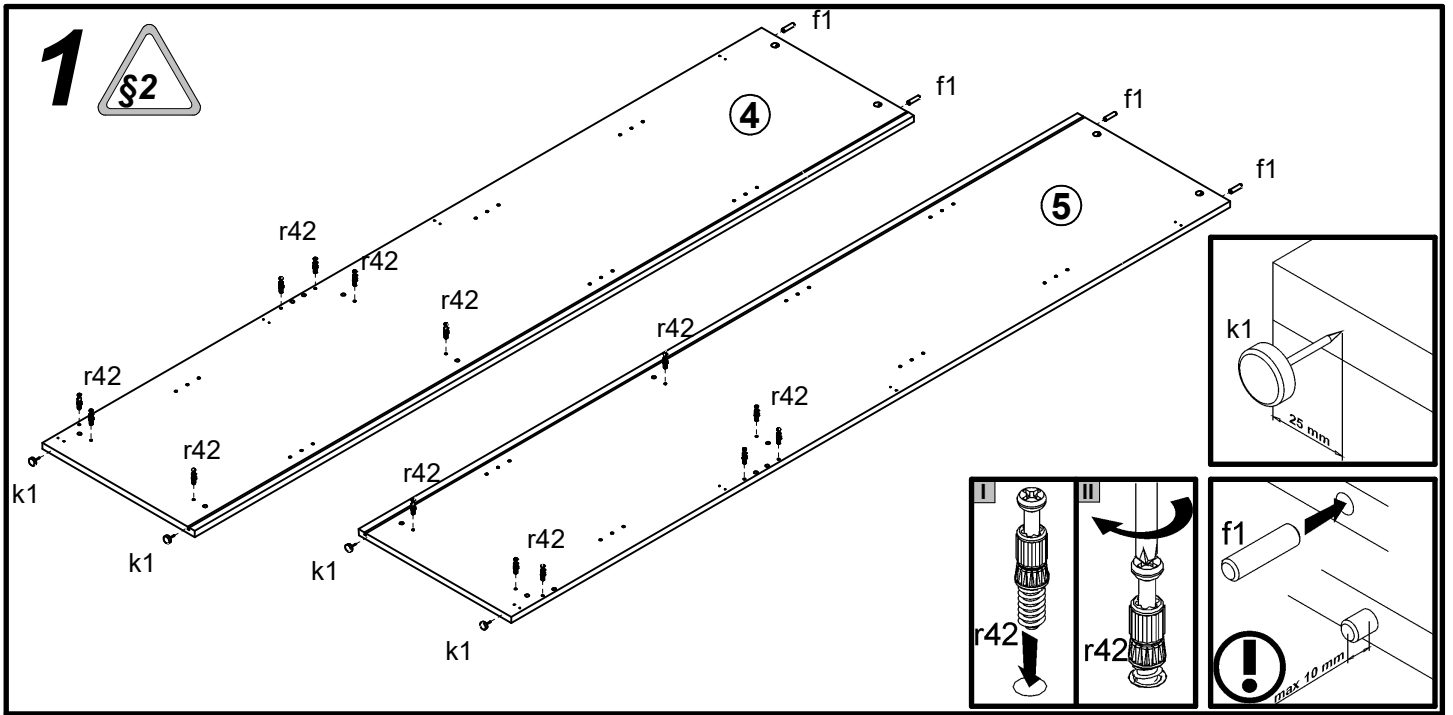
S404-REG1W1D

A	B	C	D
1	S404-0017	518	544
2	S404-0018	544	120
3	S404-0019	544	120
4	S404-1025	2018	428
5	S404-1026	2018	428
6	S404-2007	691	454
7	S404-3010	659	428
8	S404-3012	658	407
9	S404-3013	659	393

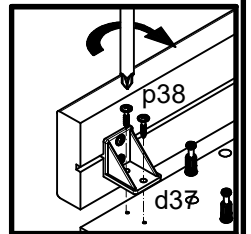
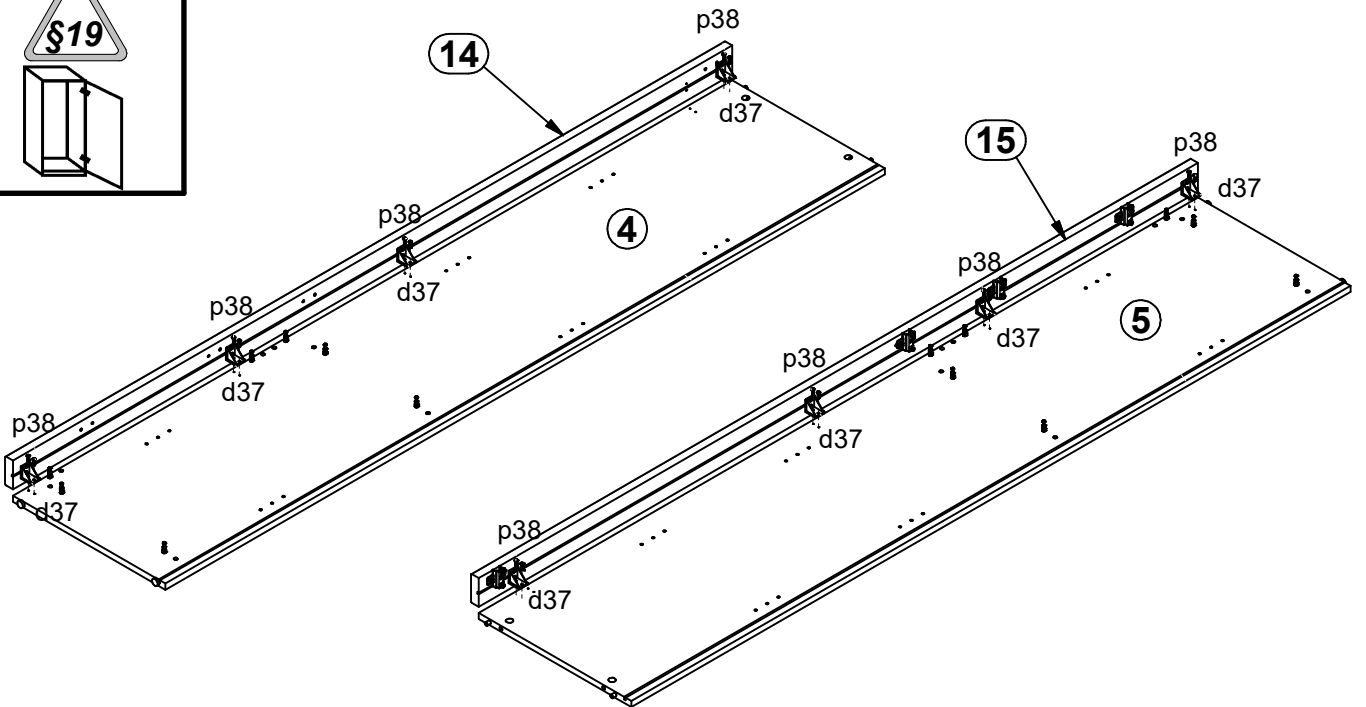
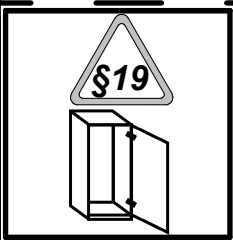
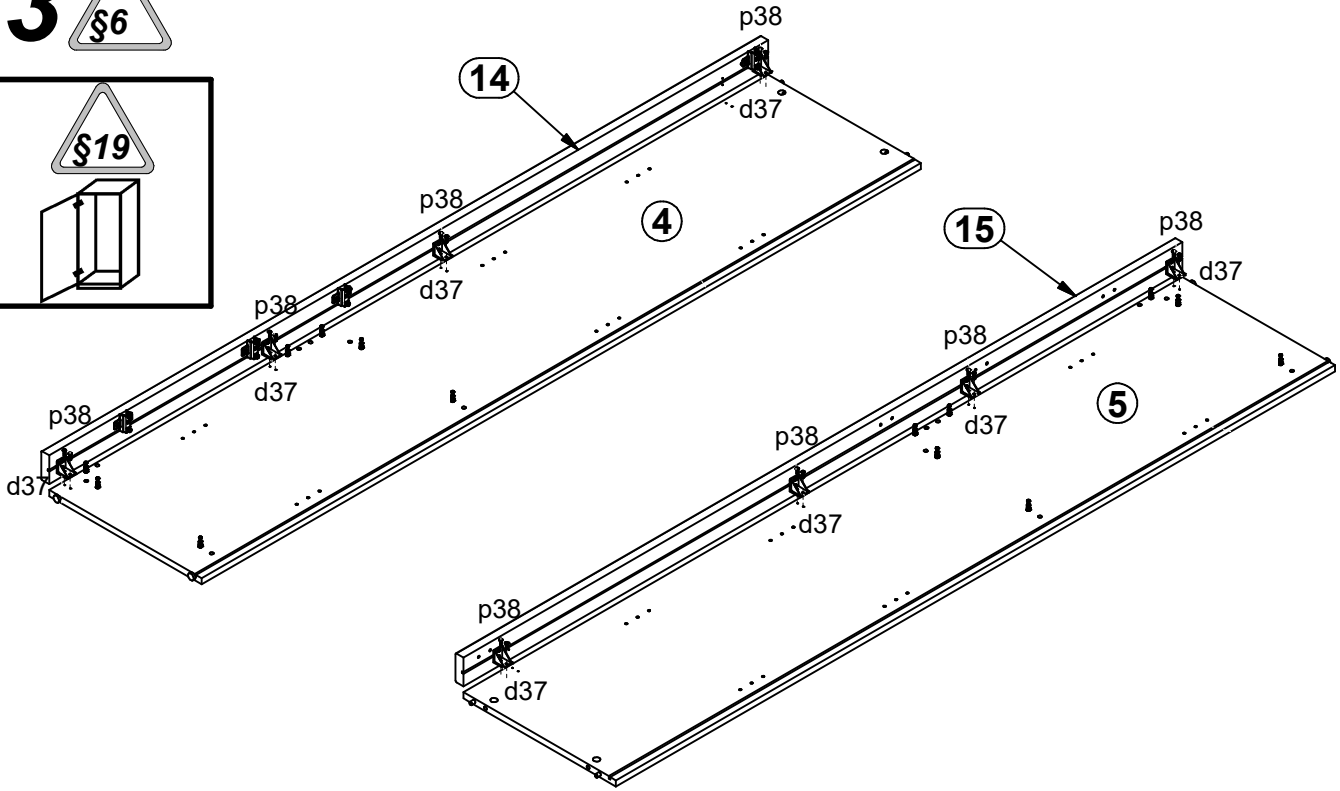
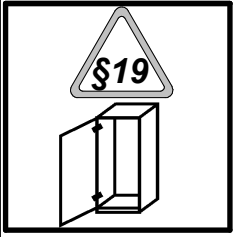
A	B	C	D
10	S404-4008	659	60
11	S404-4011	659	160
12	S404-5016	550	70
13	S404-5017	550	70
14	S404-5018	2018	70
15	S404-5019	2018	70
16	S404-5053	658	398
17	S404-5054	1048	544
18	S404-9306	1946	669

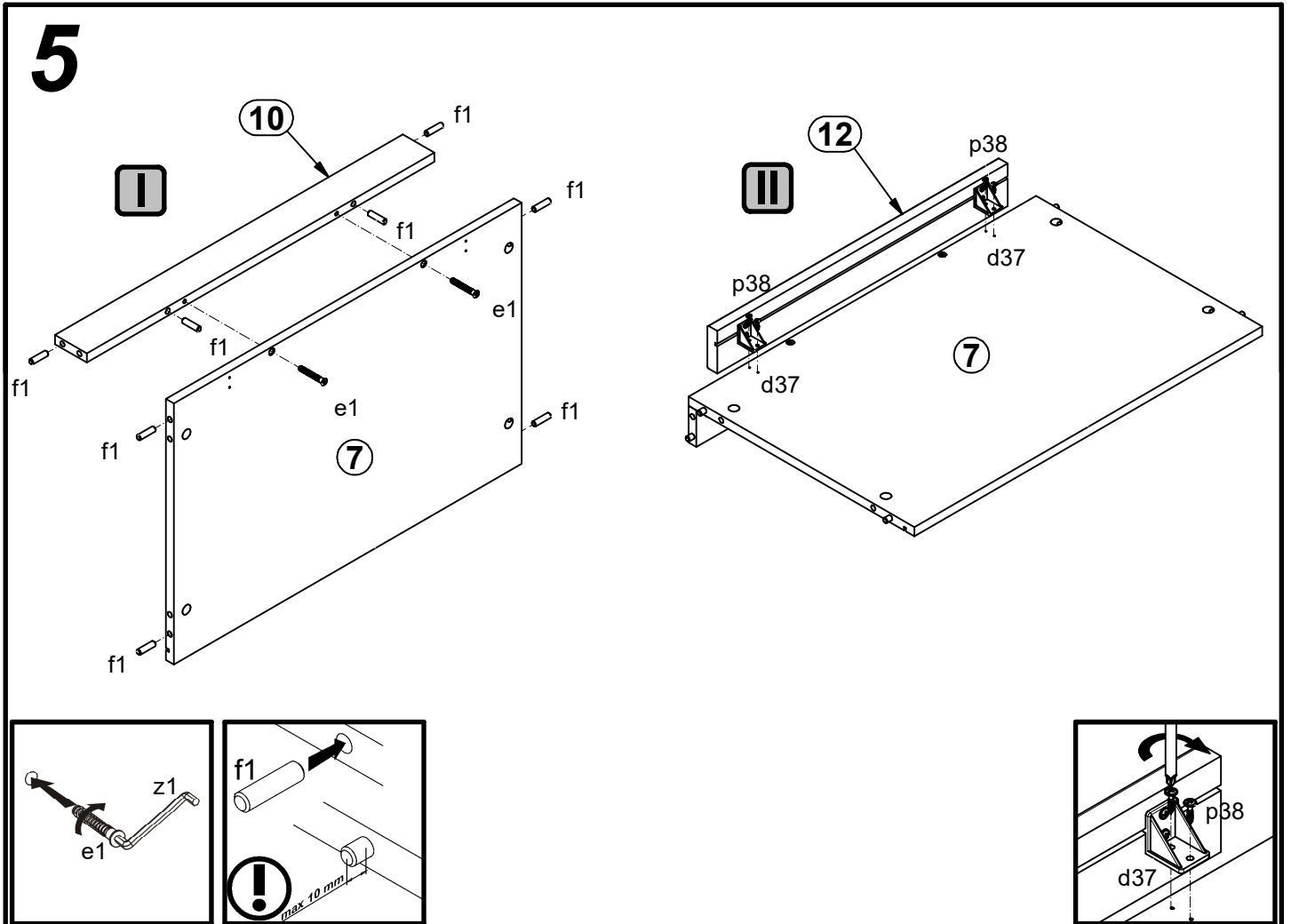
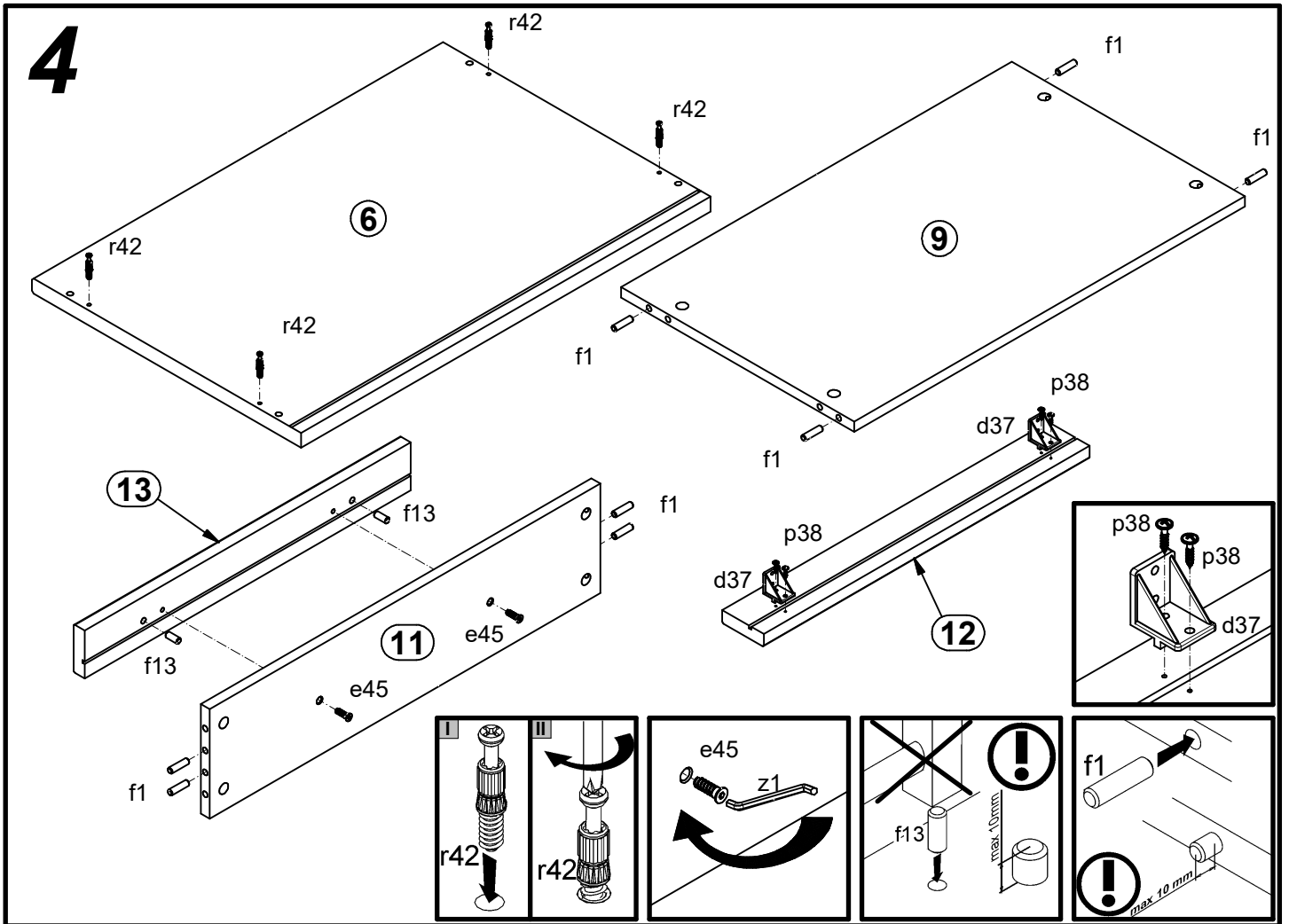


4x a132	2x a133	4x b43	4x d1 Ø5x17 mm	8x d3 Ø5x17 mm	10x d37	2x e1 Ø7x50 mm	8x e2 Ø6.3x13 mm	8x e41 Ø5x12 mm
2x e45 Ø7x24 mm	20x f1 Ø8x30 mm	2x f13 Ø8x20 mm	4x k1	10x l1 1.4x20 mm	14x l2	8x o54 Ø5.3/Ø6.3x4.8 mm	40x p38 Ø3.5x16 mm	8x p51 Ø3.5x15 mm
18x r1 Ø15x12 mm #16	18x r42 20/11	4x s71 Ø35x62x40x10	4x s2 Ø16	1x z1 4 mm			1x n26/1	1x p38 Ø3.5x16 mm

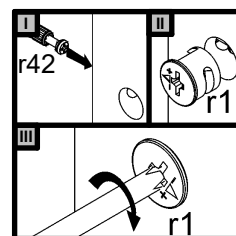
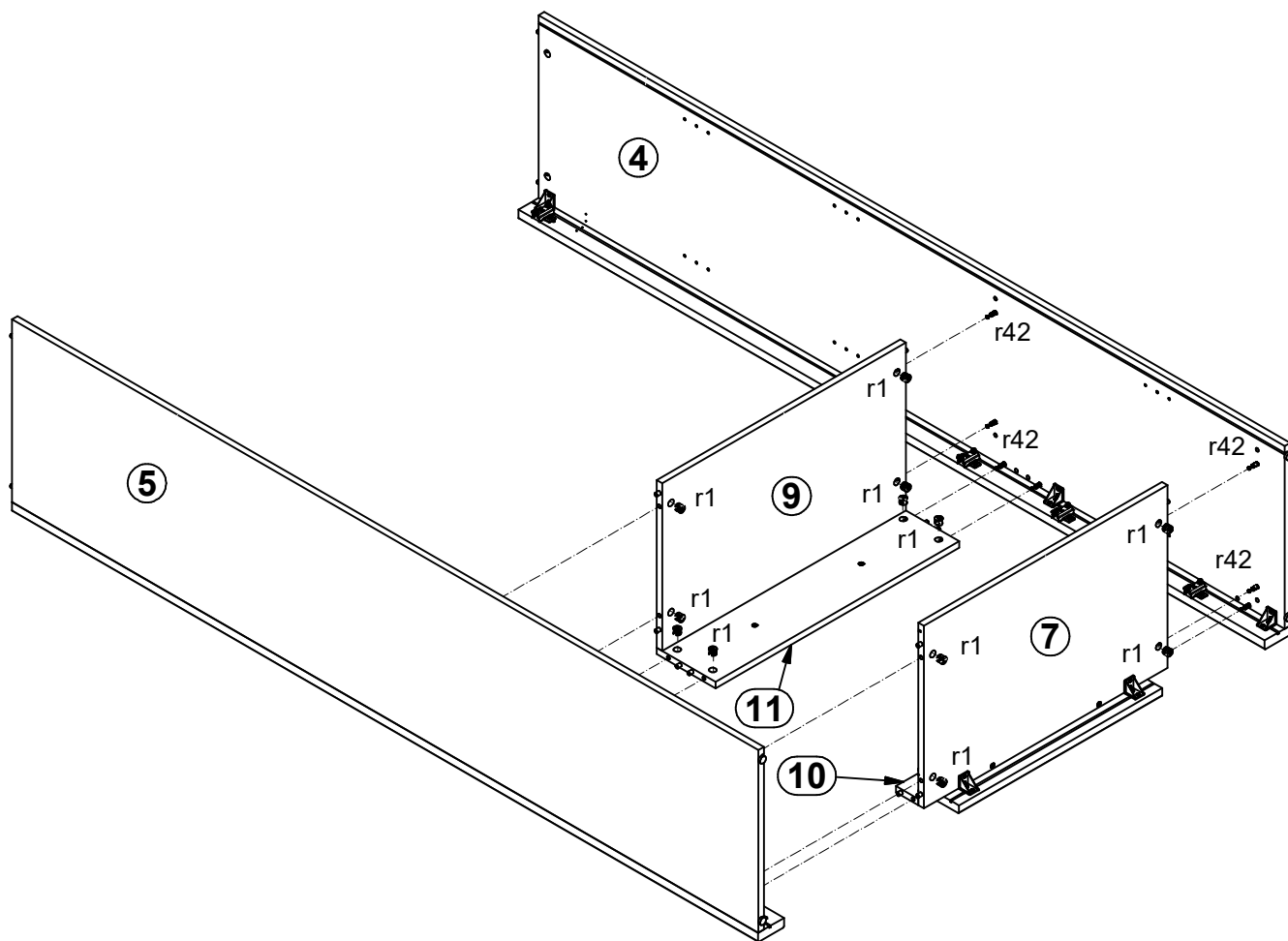


3 §6



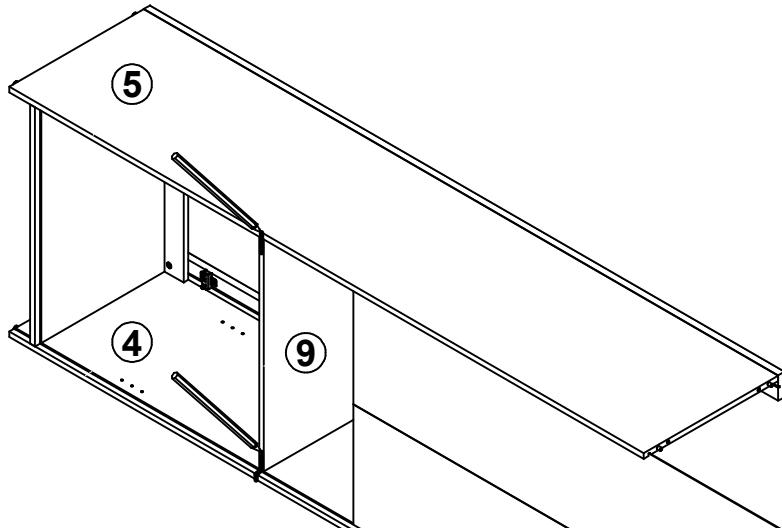


6

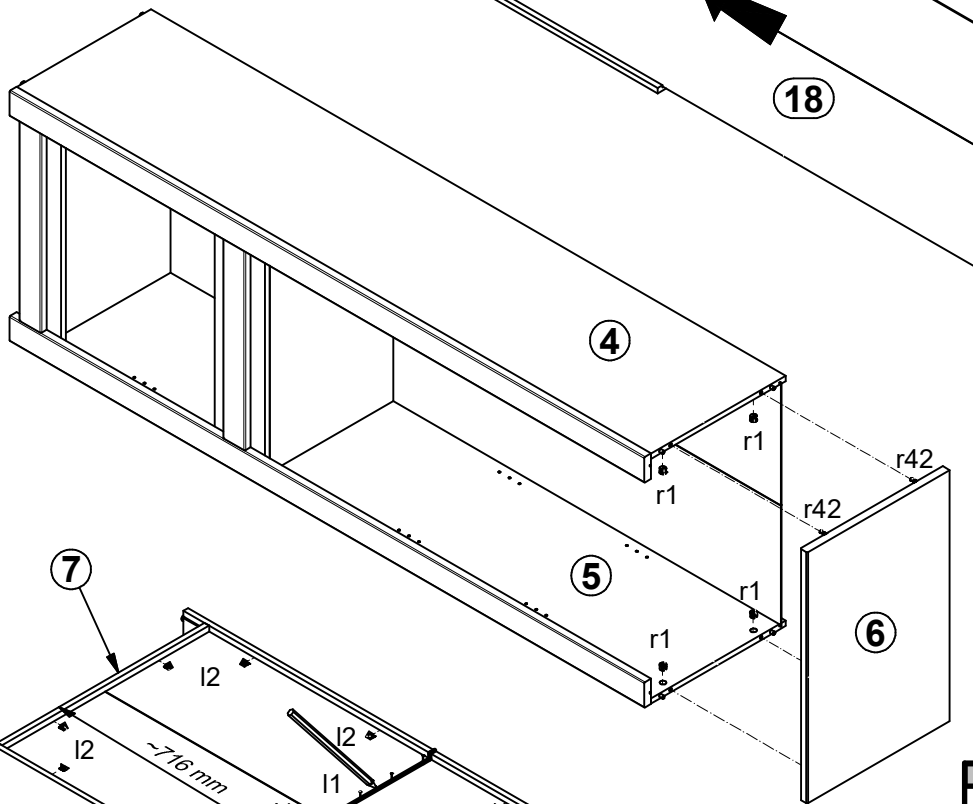


7

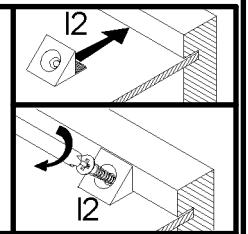
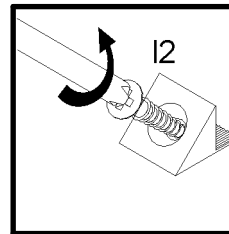
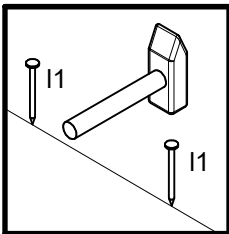
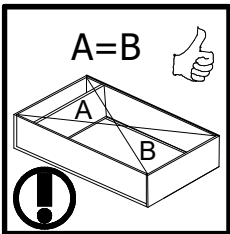
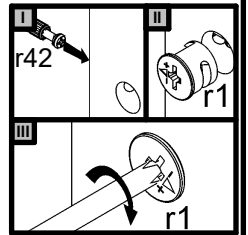
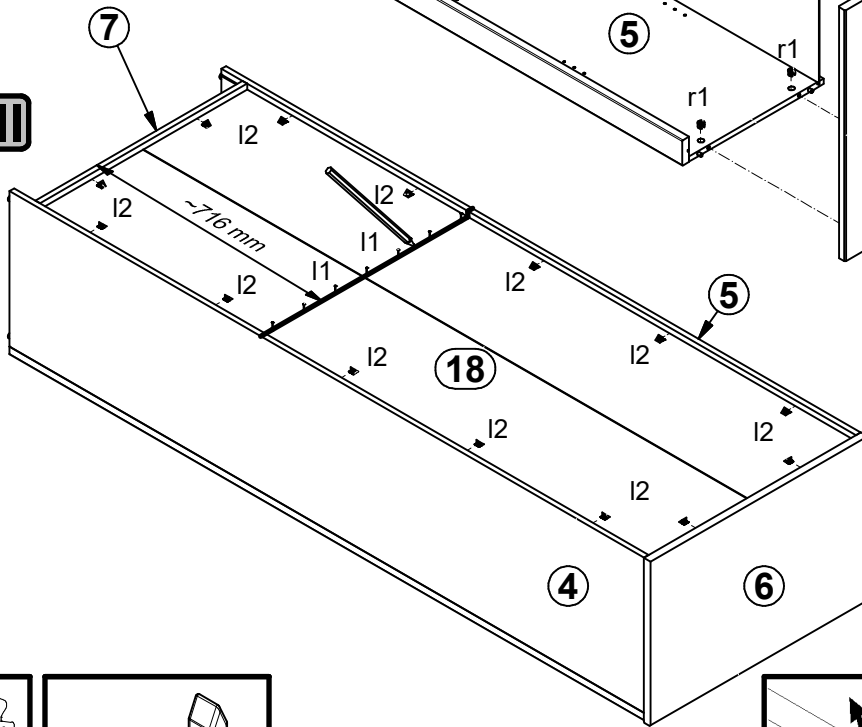
I



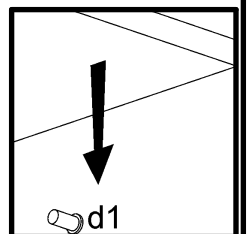
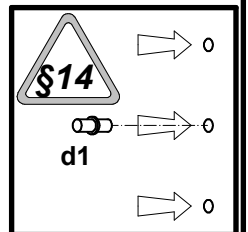
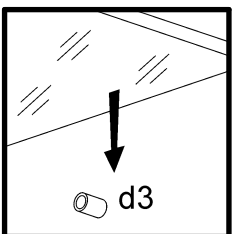
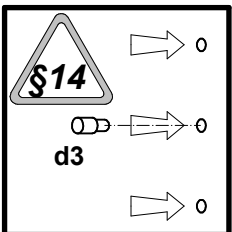
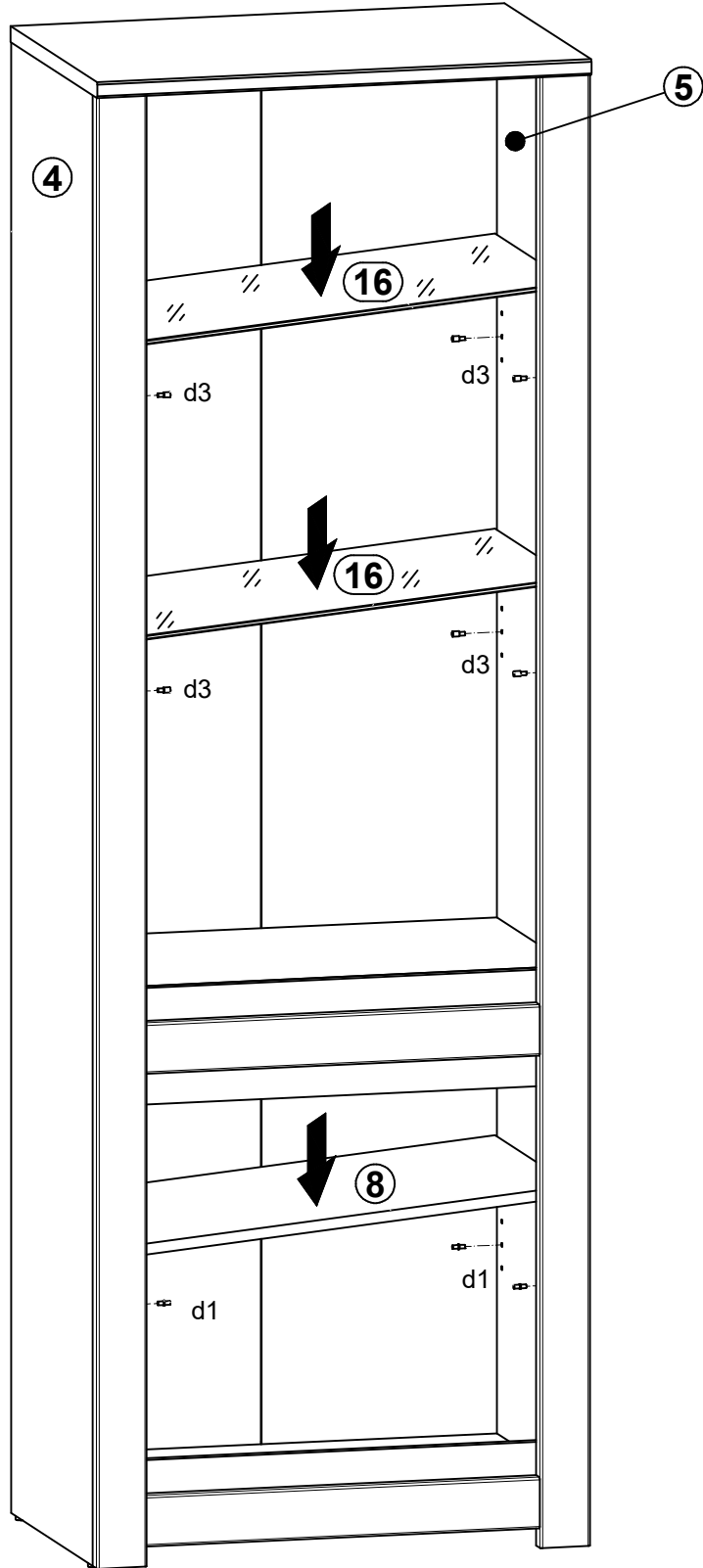
II



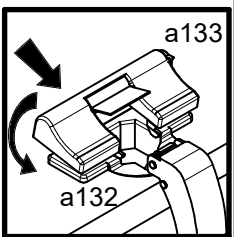
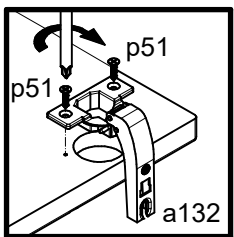
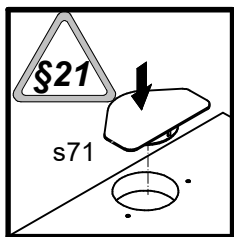
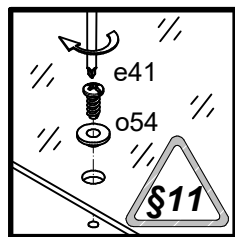
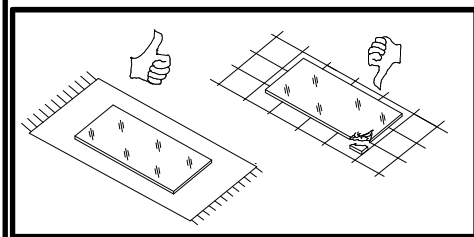
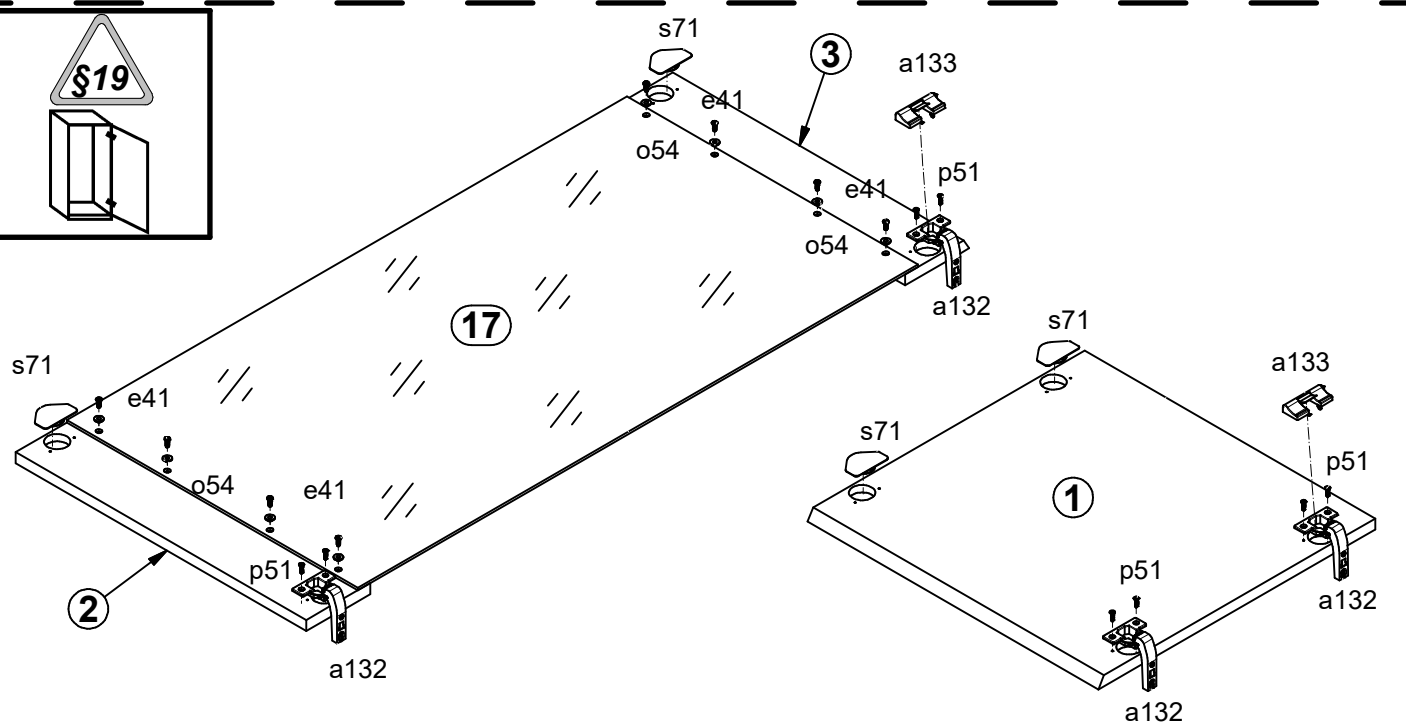
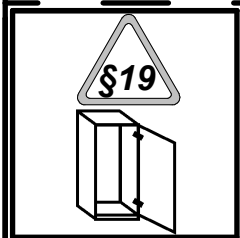
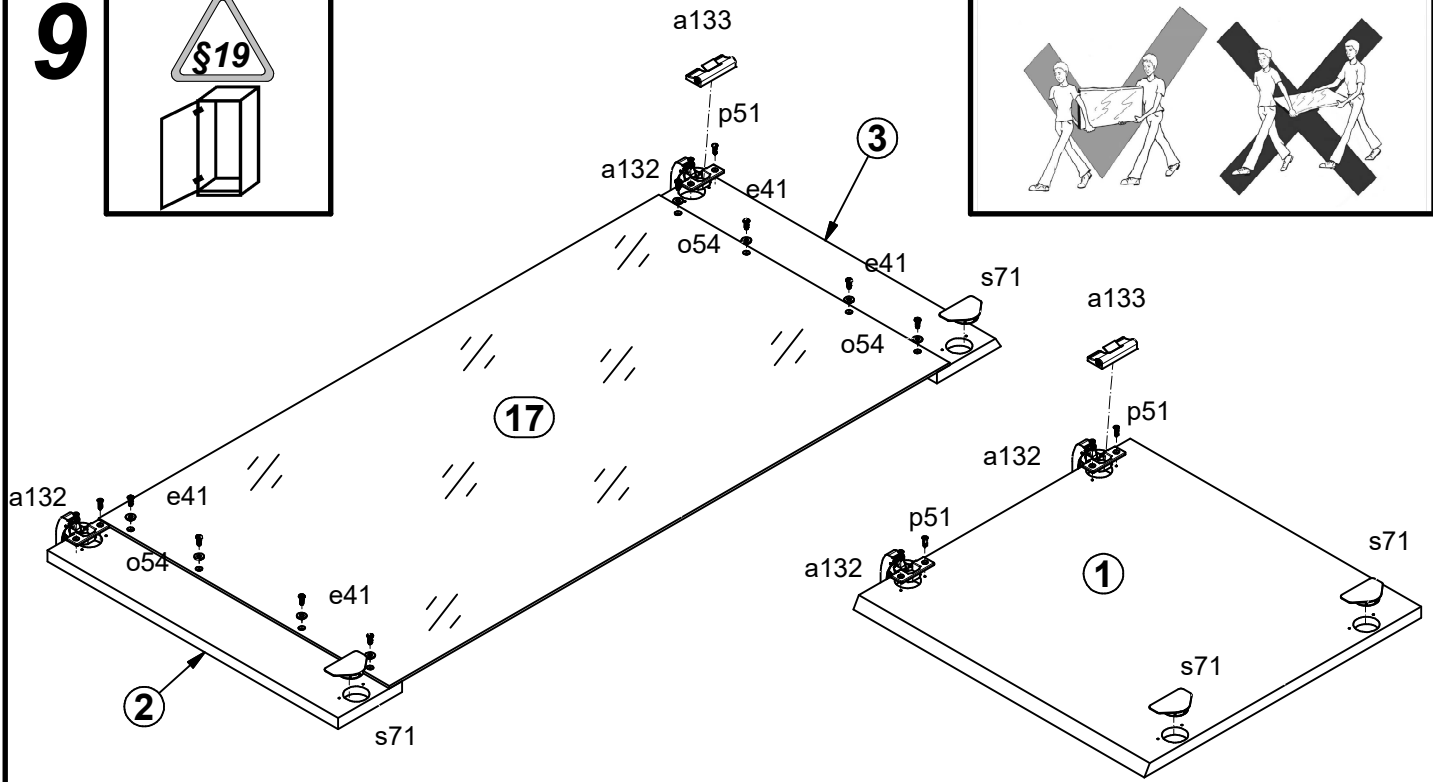
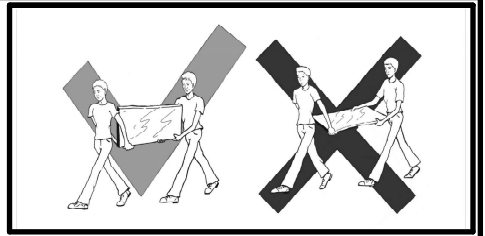
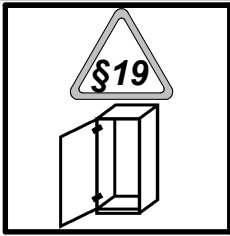
III



8



9



10

