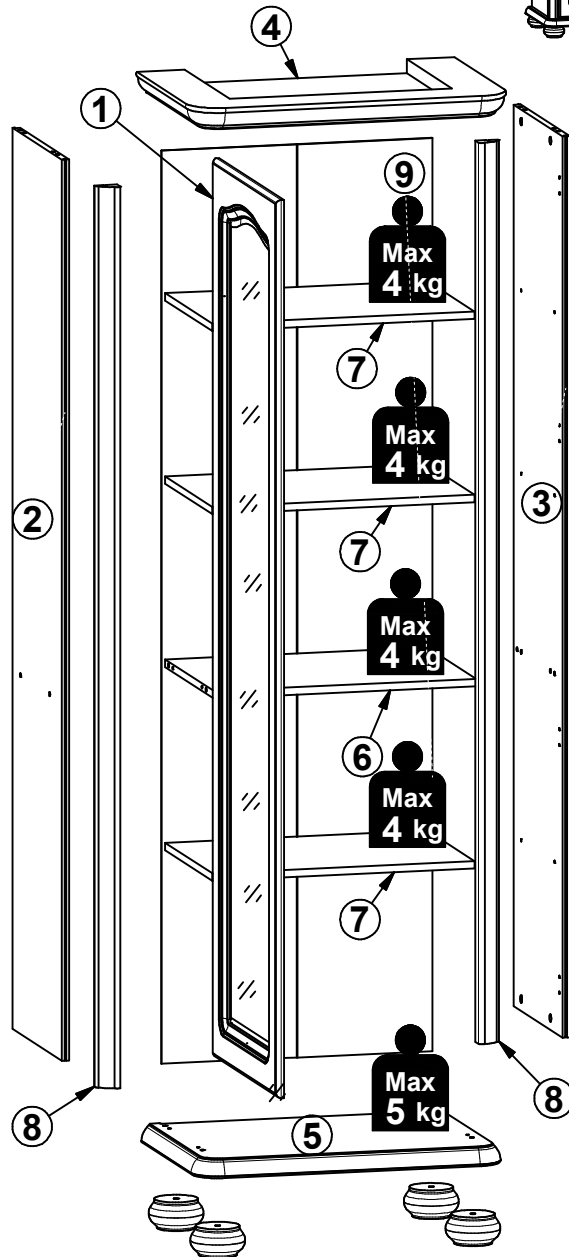
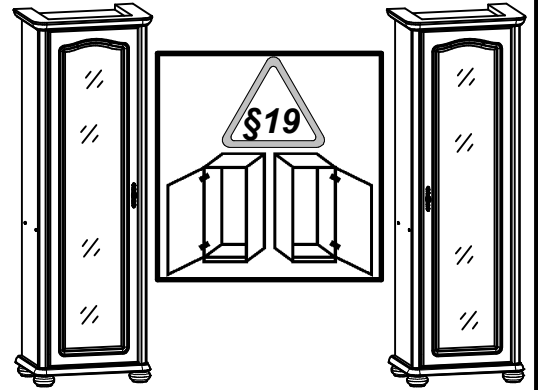



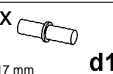
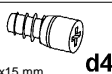
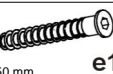


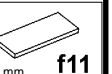

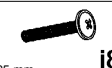

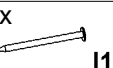



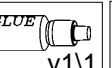
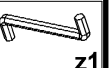




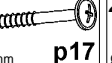

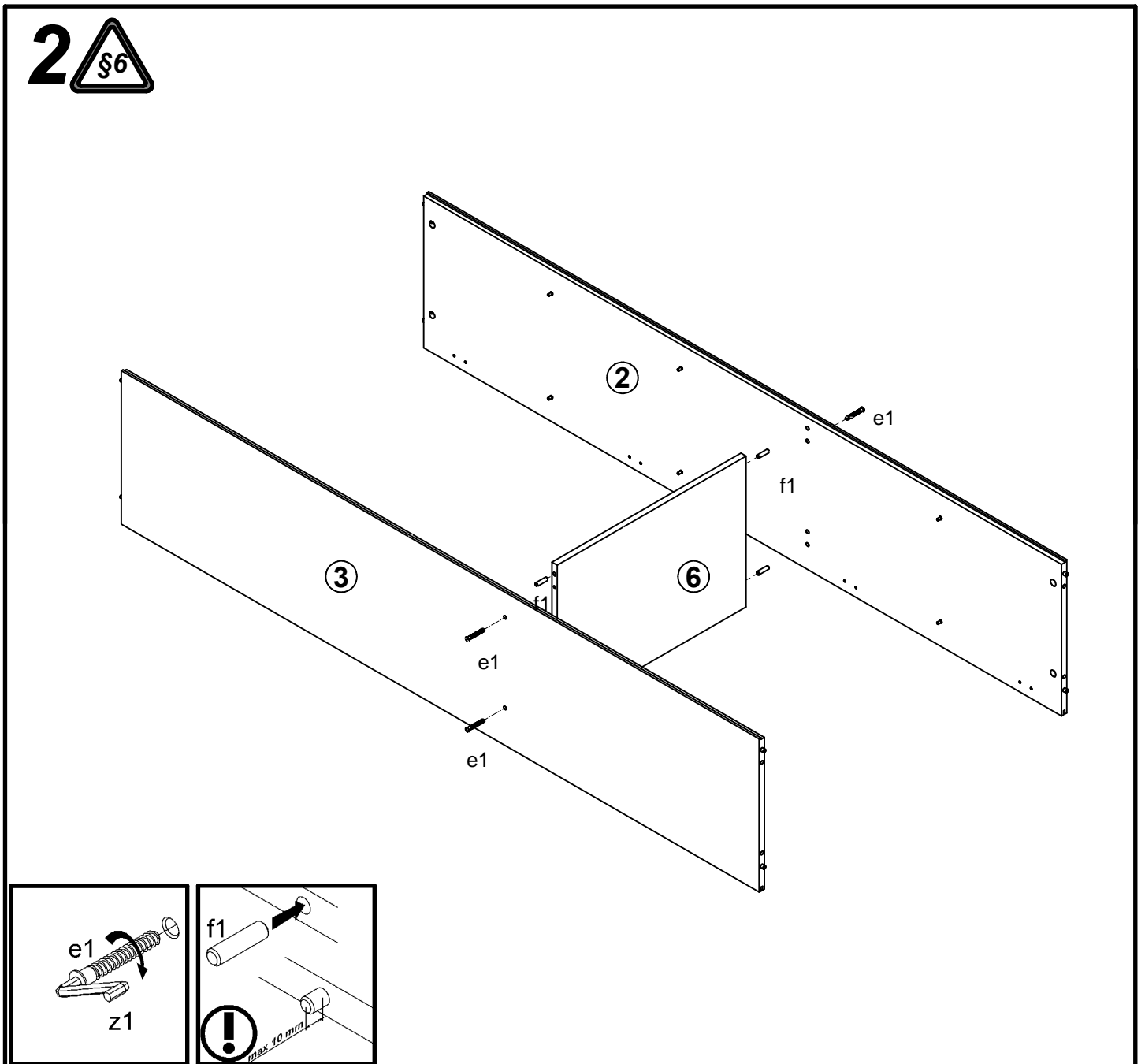
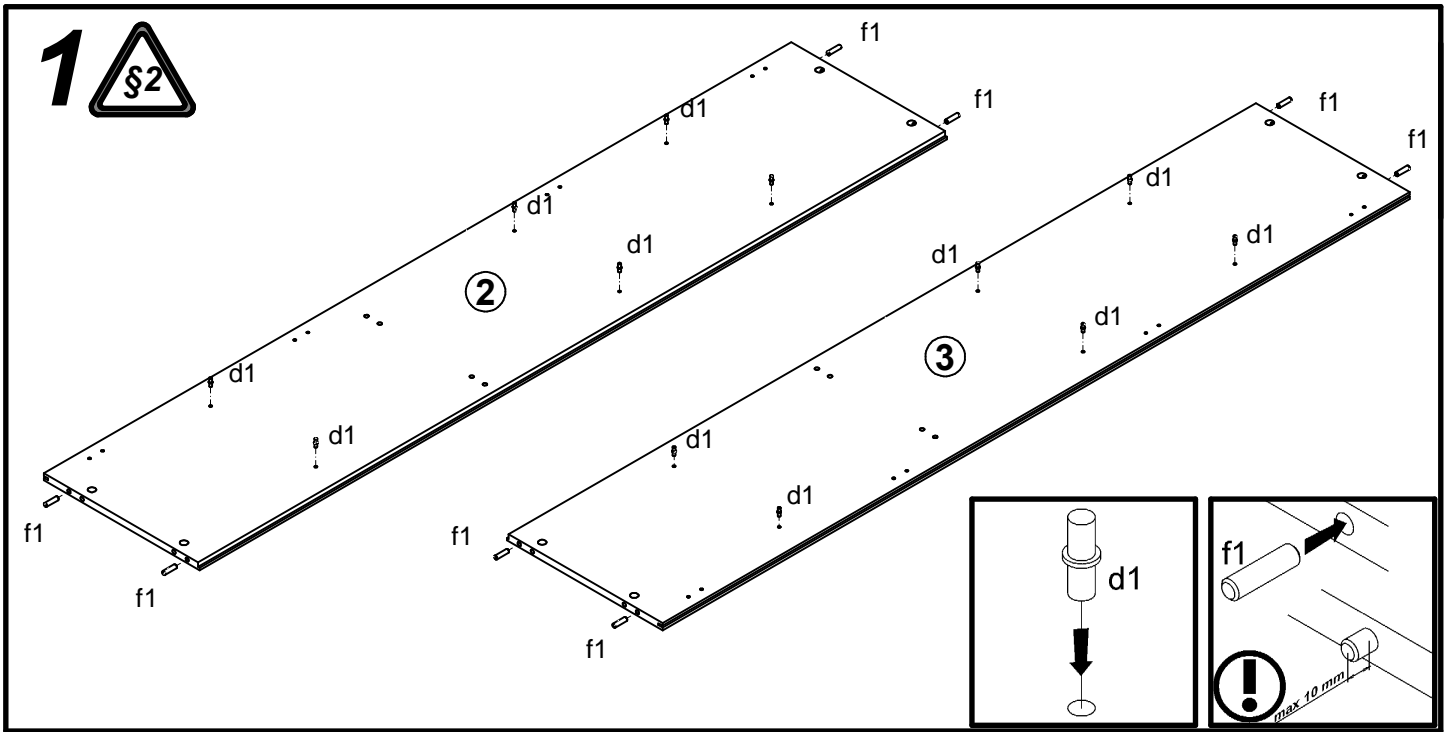


A**NATALIA****S41-WIT/70/LP**

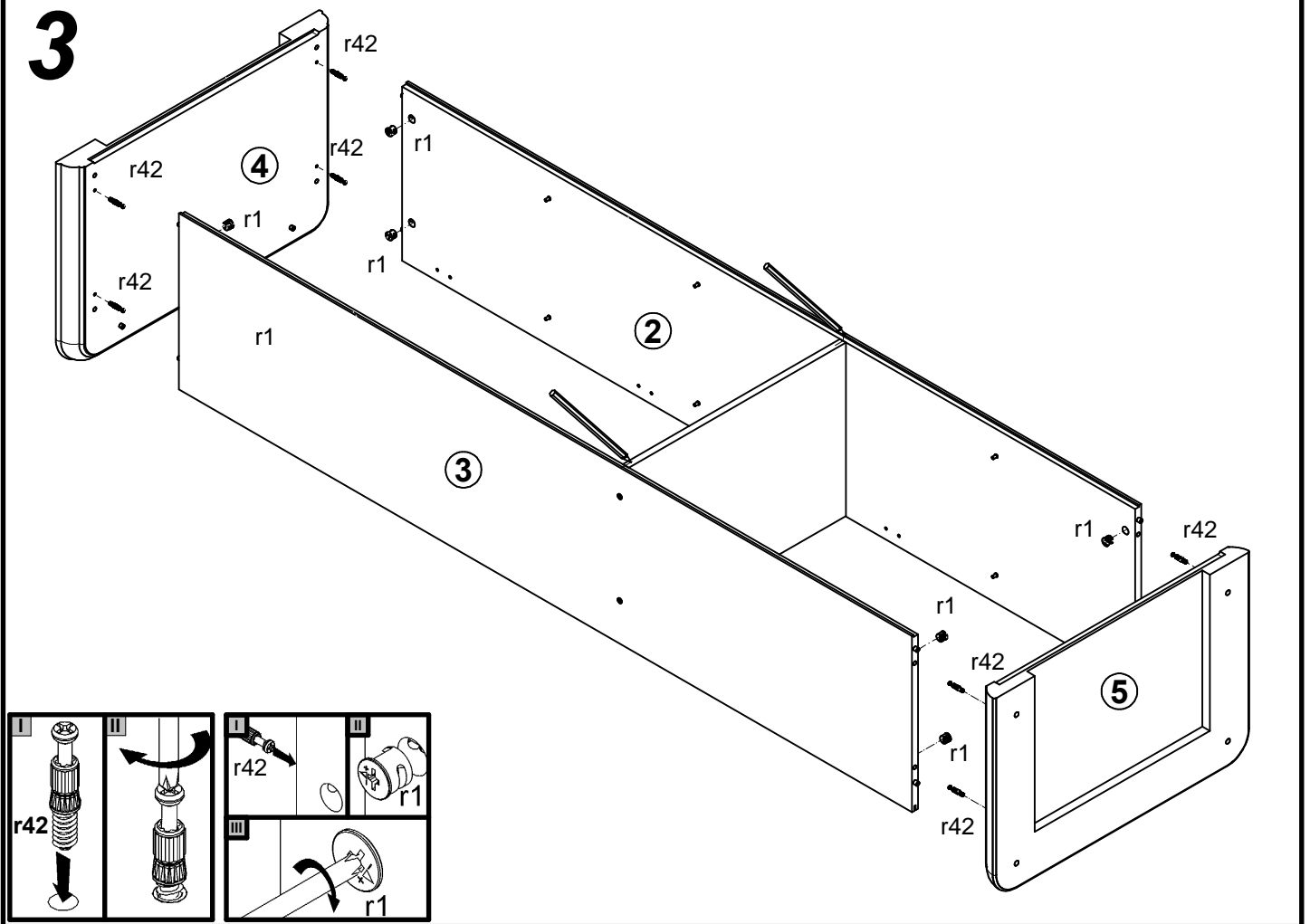
A	B	C1	C2	C3	D
1	S41-0020	1814	496	19	3/5
2	S41-1033	1820	379,	15	1/5
3	S41-1034	1820	379,	15	1/5
4	S41-2019	657	446	47	2/5
5	S41-2020	635	436	38	2/5
6	S41-3017	539	375	15	1/5
7	S41-3018	539	364,	15	1/5
8	S41-5007	1820	47	32	4/5
9	S41-9312	1844,	557,	2,5	1/5



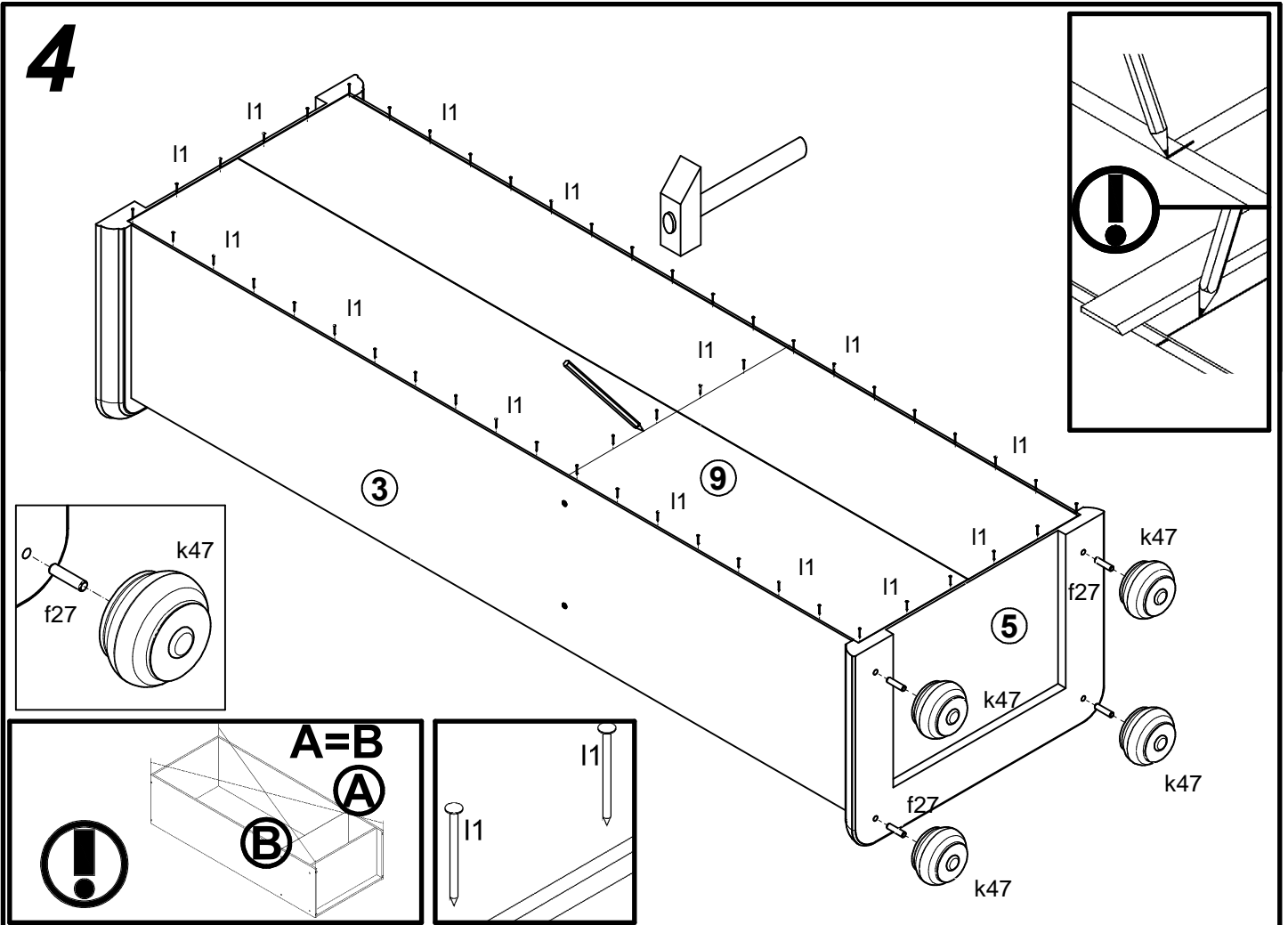
4x  a172	4x  b85	1x  c69	12x  Ø5x17 mm d1	1x  Ø6.3x15 mm d4	4x  Ø7x50 mm e1	4x  Ø35x62x40x10 s71	12x  Ø8x30 mm f1	12x  46x18/4 mm f11
4x  Ø10x40 mm f27	1x  M4x25 mm j8	4x  Ø110x58/62 mm k47	60x  l1	8x  Ø3.5x15 mm p51	8x  Ø15x12 mm #16 r1	8x  r42	1x  y1/1	1x  z1
8x  Ø16 s2	4x  s1			1x  Ø10x50 mm f35	1x  86x21x15/1.5 n14/2	1x  Ø5x60 mm p17	2x  Ø3.5x16 mm p38	



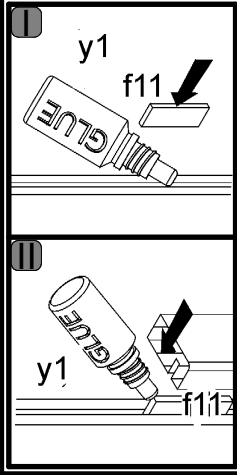
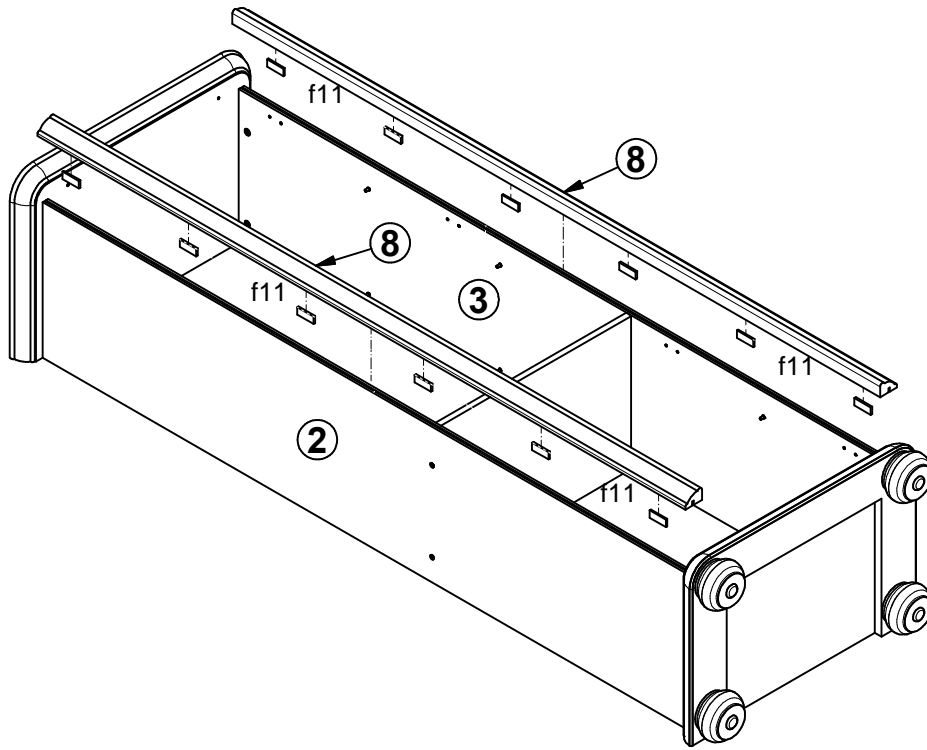
3



4



5



6

