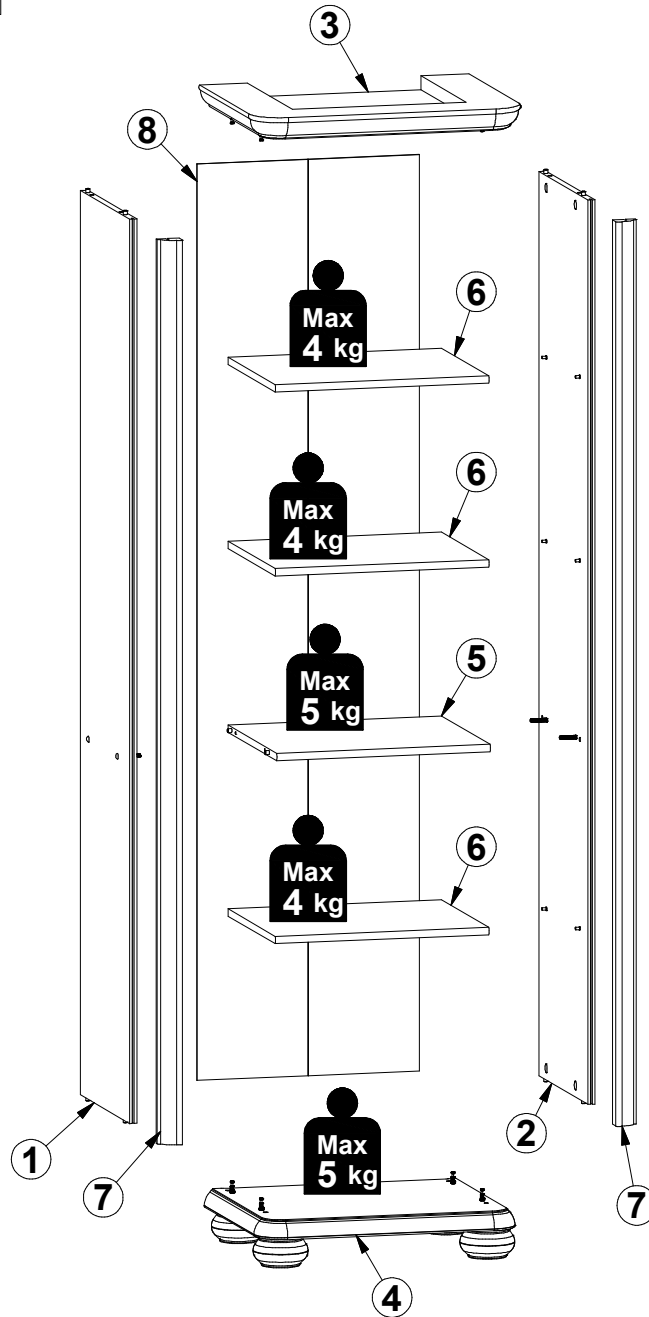
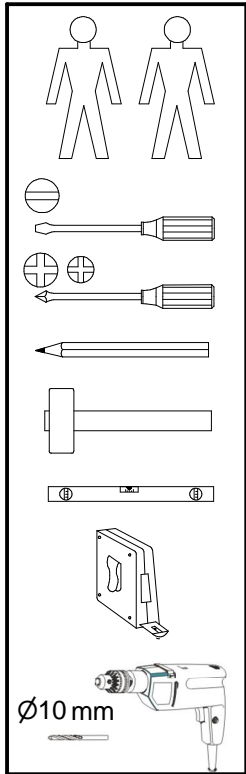
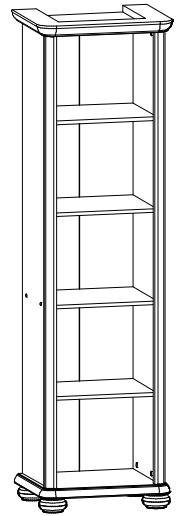


# A

# NATALIA

# S41-REG60

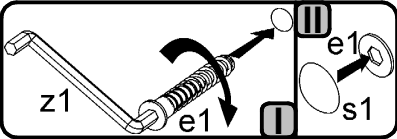
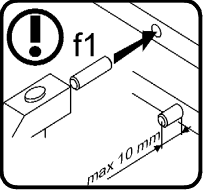
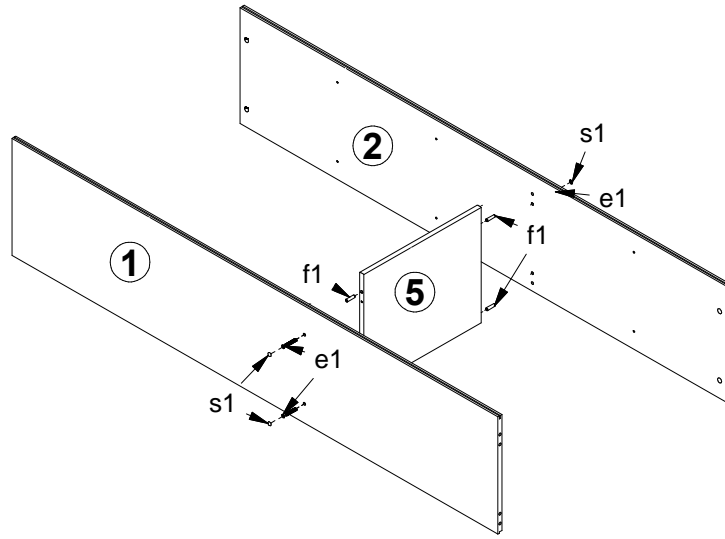
A	B	C1	C2	C3	D
1	S41-1035	1820	379,	15	1/4
2	S41-1036	1820	379,	15	1/4
3	S41-2021	557	446	47	2/4
4	S41-2022	535	436	38	2/4
5	S41-3019	439,	375	15	1/4
6	S41-3020	439,	364,	15	1/4
7	S41-5007	1820	47	32	3/4
8	S41-9311	1844,	457,	2,5	1/4



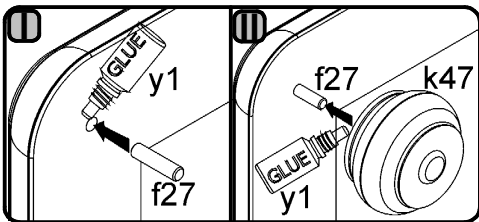
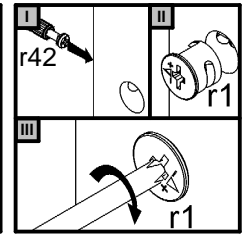
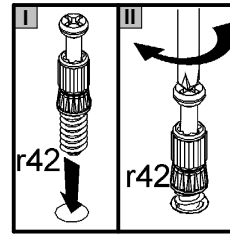
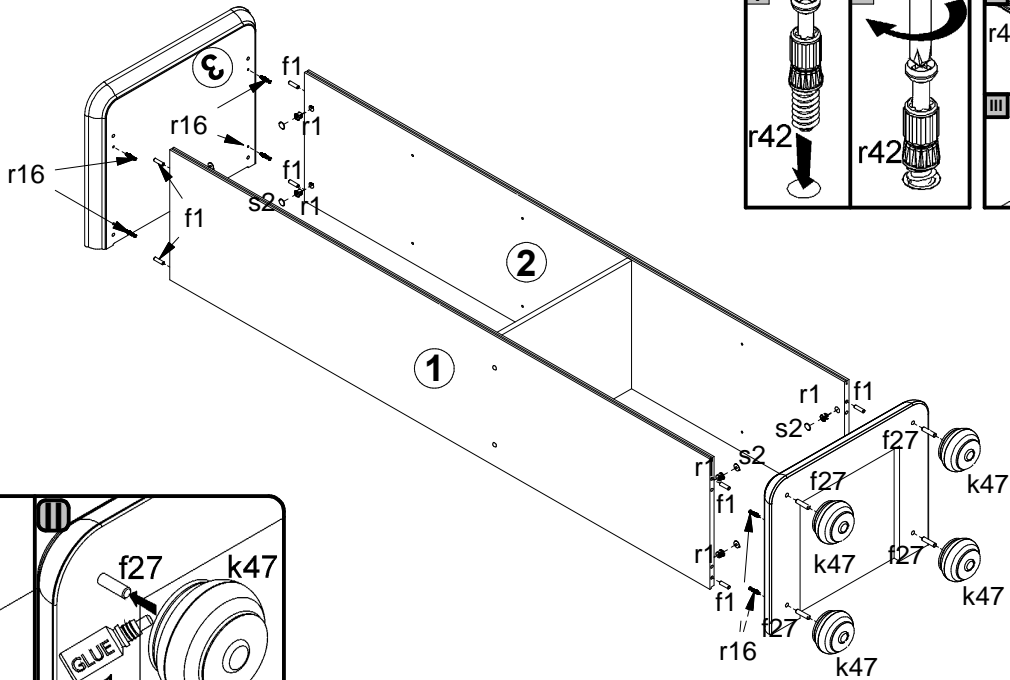
12x $\phi 5 \times 17$ mm <b>d1</b>	4x $\phi 7 \times 50$ mm <b>e1</b>	12x $\phi 8 \times 30$ mm <b>f1</b>	12x $46 \times 18 \times 4$ mm <b>f11</b>	4x $\phi 10 \times 40$ mm <b>f27</b>	4x $\phi 110 \times 58 / 62$ mm <b>k47</b>	60x <b>l1</b>	8x $\phi 15 \times 12$ mm #16 <b>r1</b>	8x <b>r42</b>
4x <b>s1</b>	8x $\phi 16$ <b>s2</b>	1x <b>z1</b>	1x <b>y1/2</b>	1x $\phi 10 \times 50$ mm <b>f35</b>	1x $86 \times 21 \times 15 / 1,5$ <b>n14/2</b>	1x $\phi 5 \times 60$ mm <b>p17</b>	2x $\phi 3,5 \times 16$ mm <b>p38</b>	



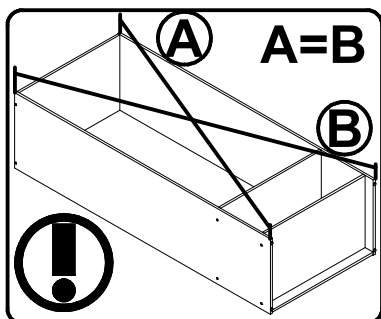
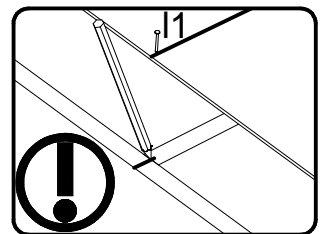
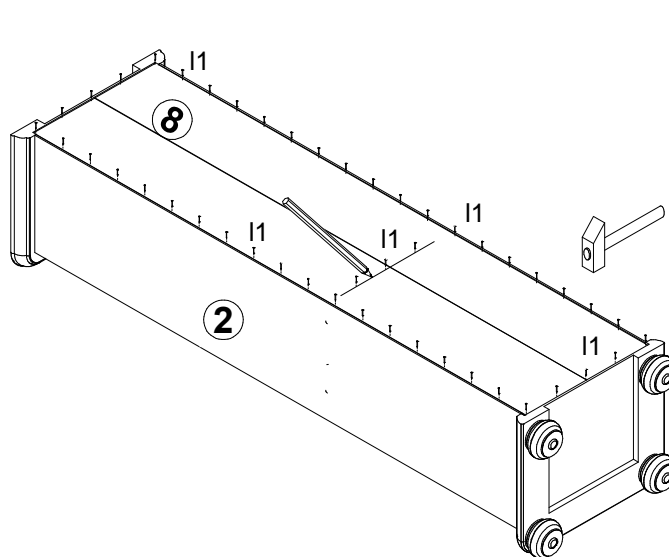
1



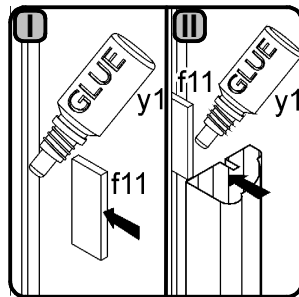
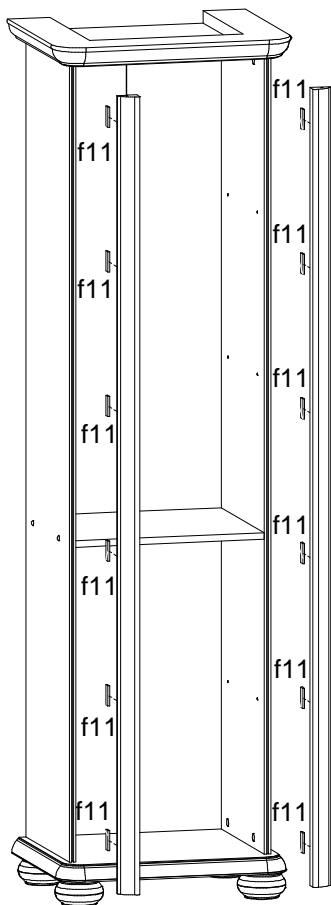
2



3



# 4 Regal 60



# 5 Regal 60

