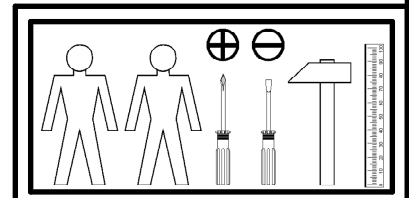
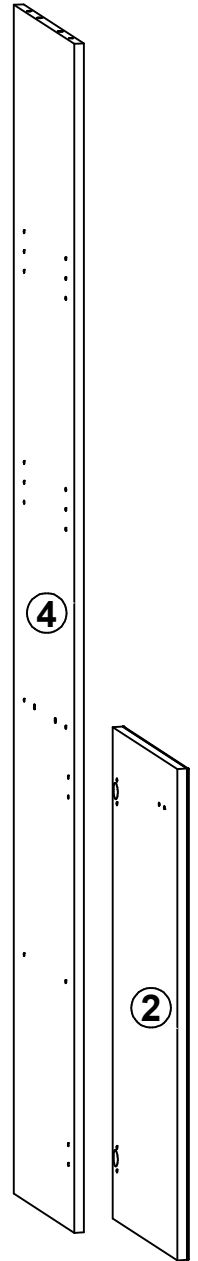
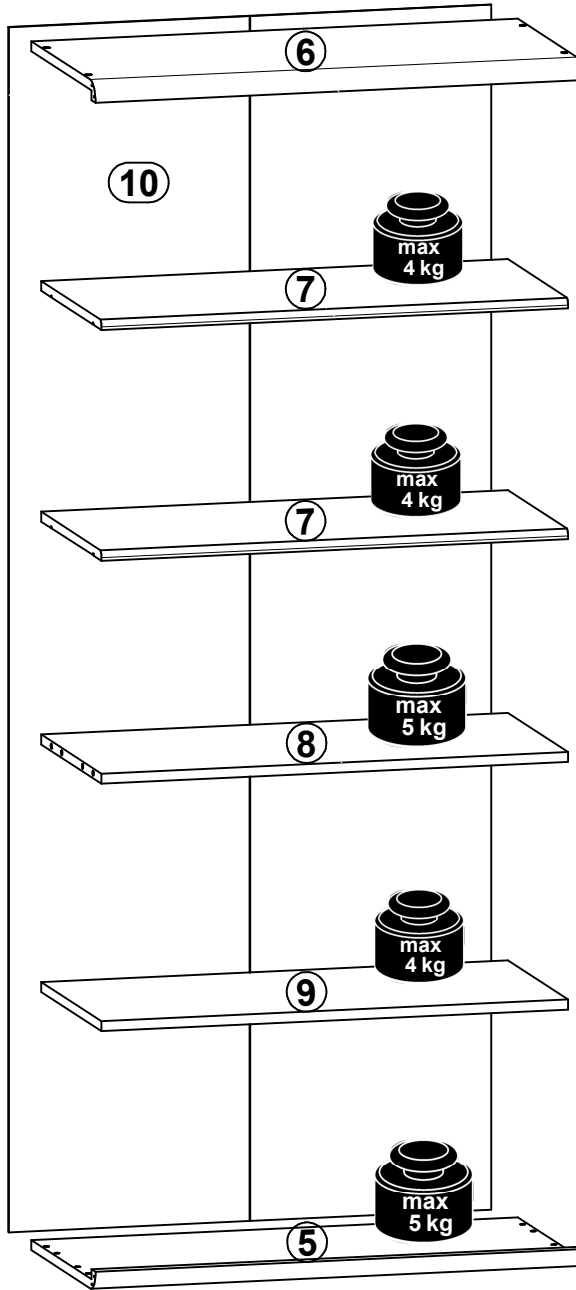
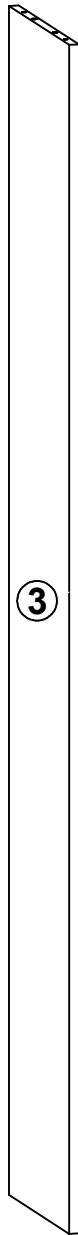
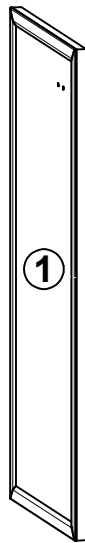
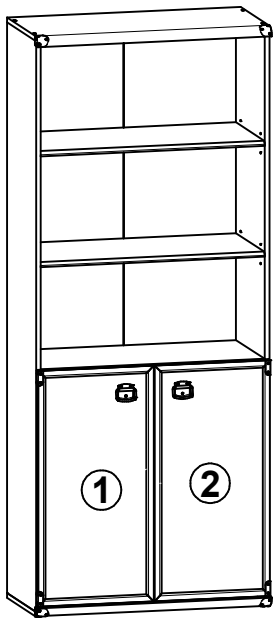
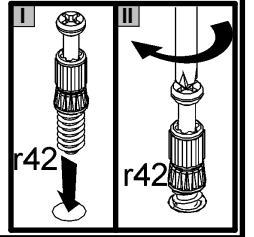
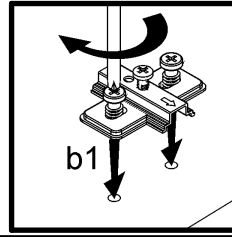
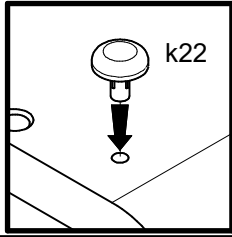
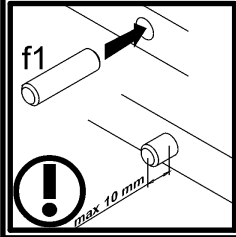
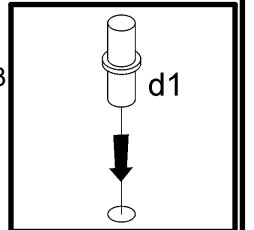
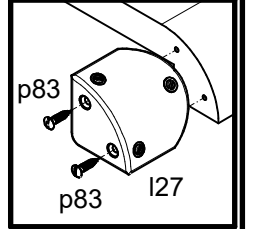
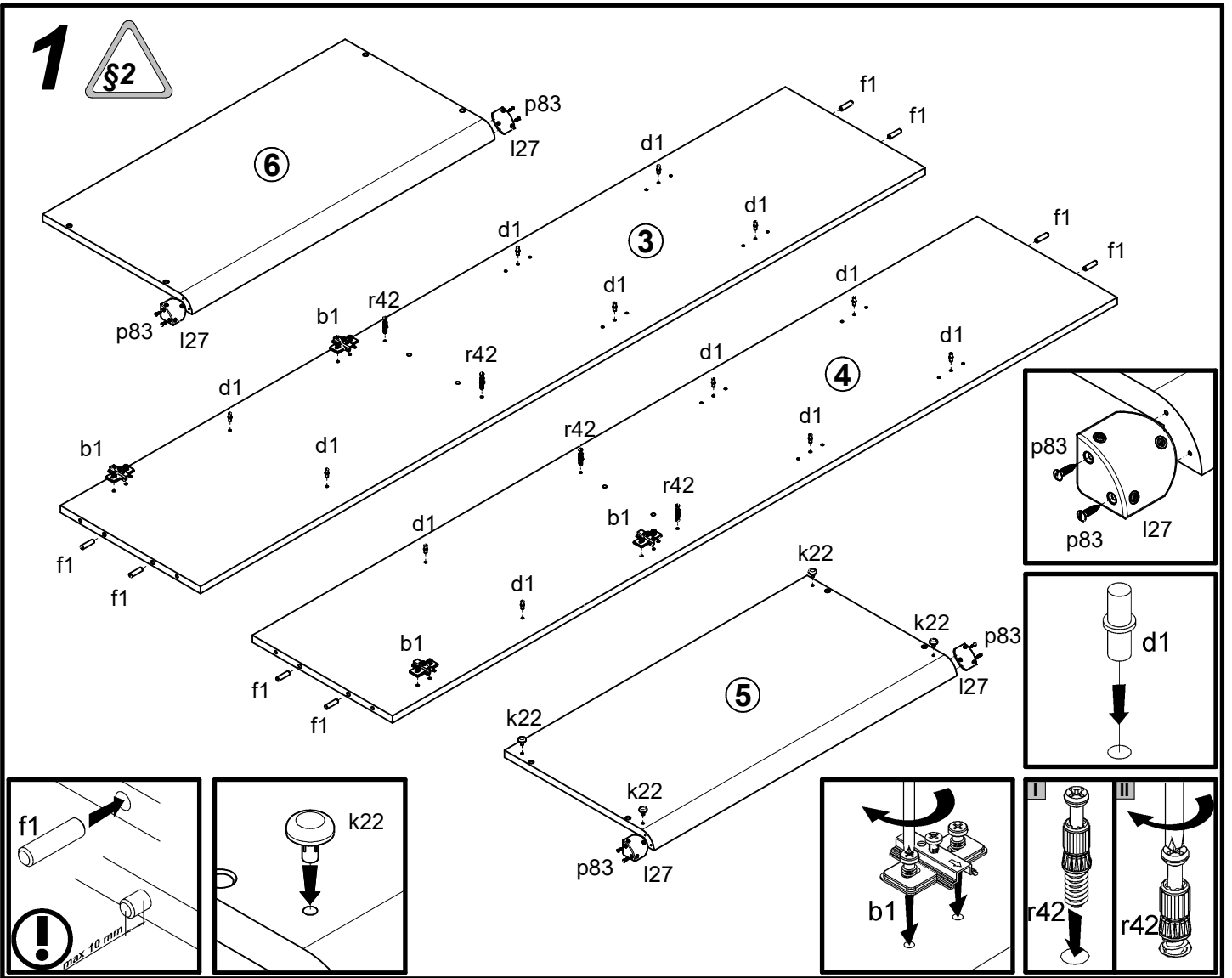


A	B	C	D	
1	S31-013	792	396	3/3
2	S31-014	792	396	3/3
3	S31-113	1916	370	1/3
4	S31-114	1916	370	1/3
5	S31-207	800	395	2/3
6	S31-211	800	395	2/3
7	S31-305	767	370	1/3
8	S31-306	767	370	1/3
9	S31-307	767	370	1/3
10	S31-901	1942	793	1/3

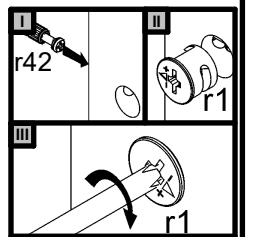
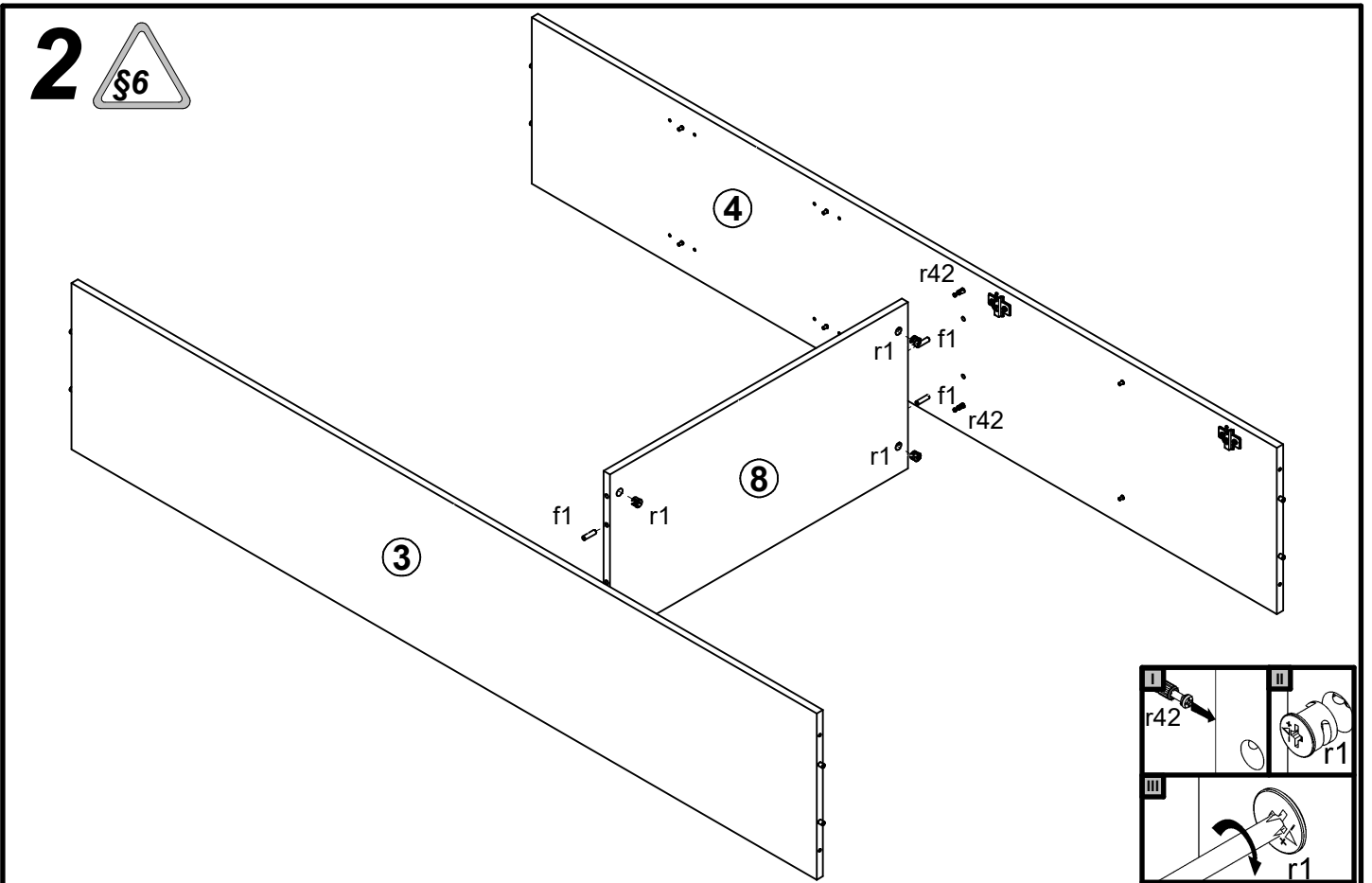


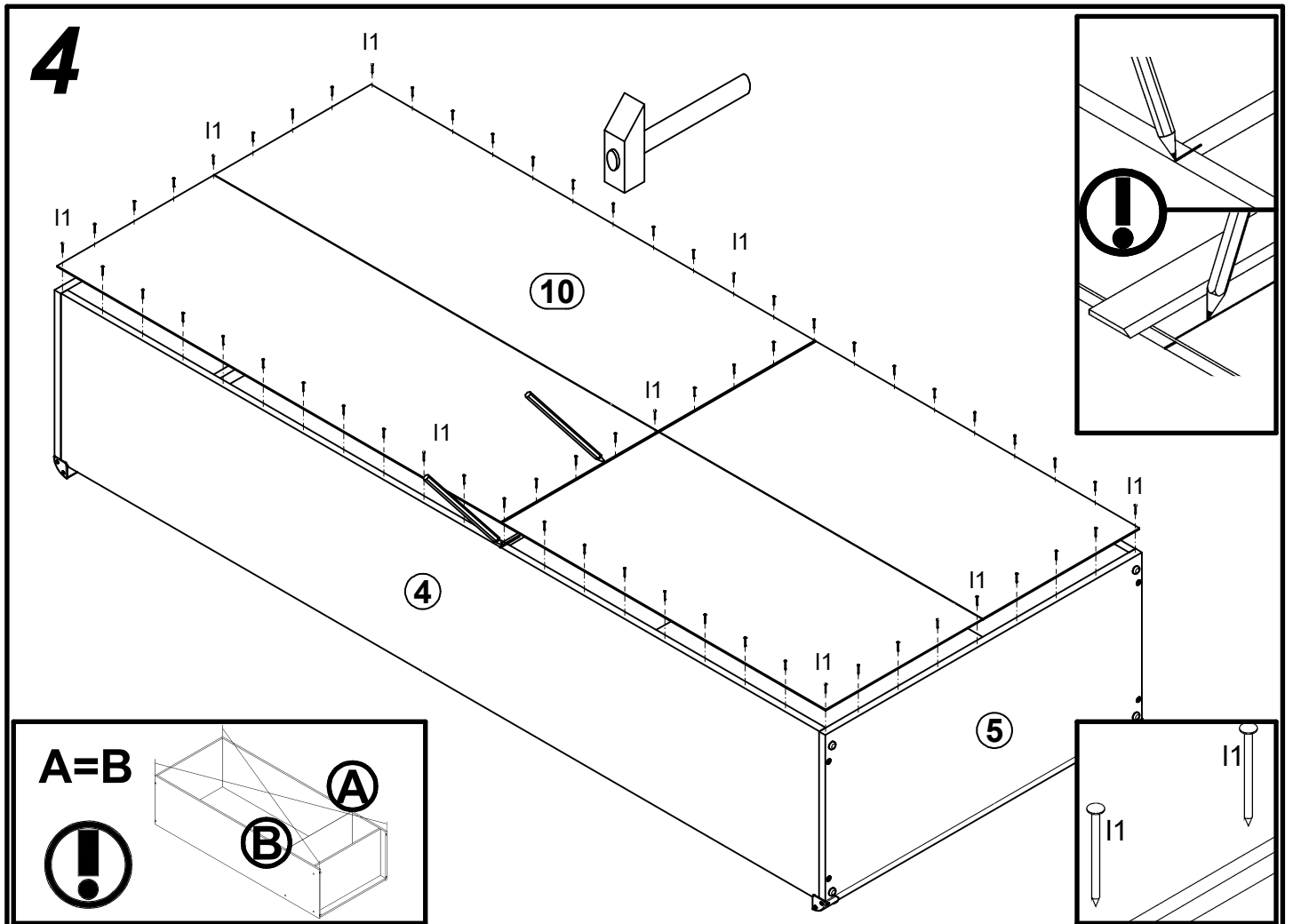
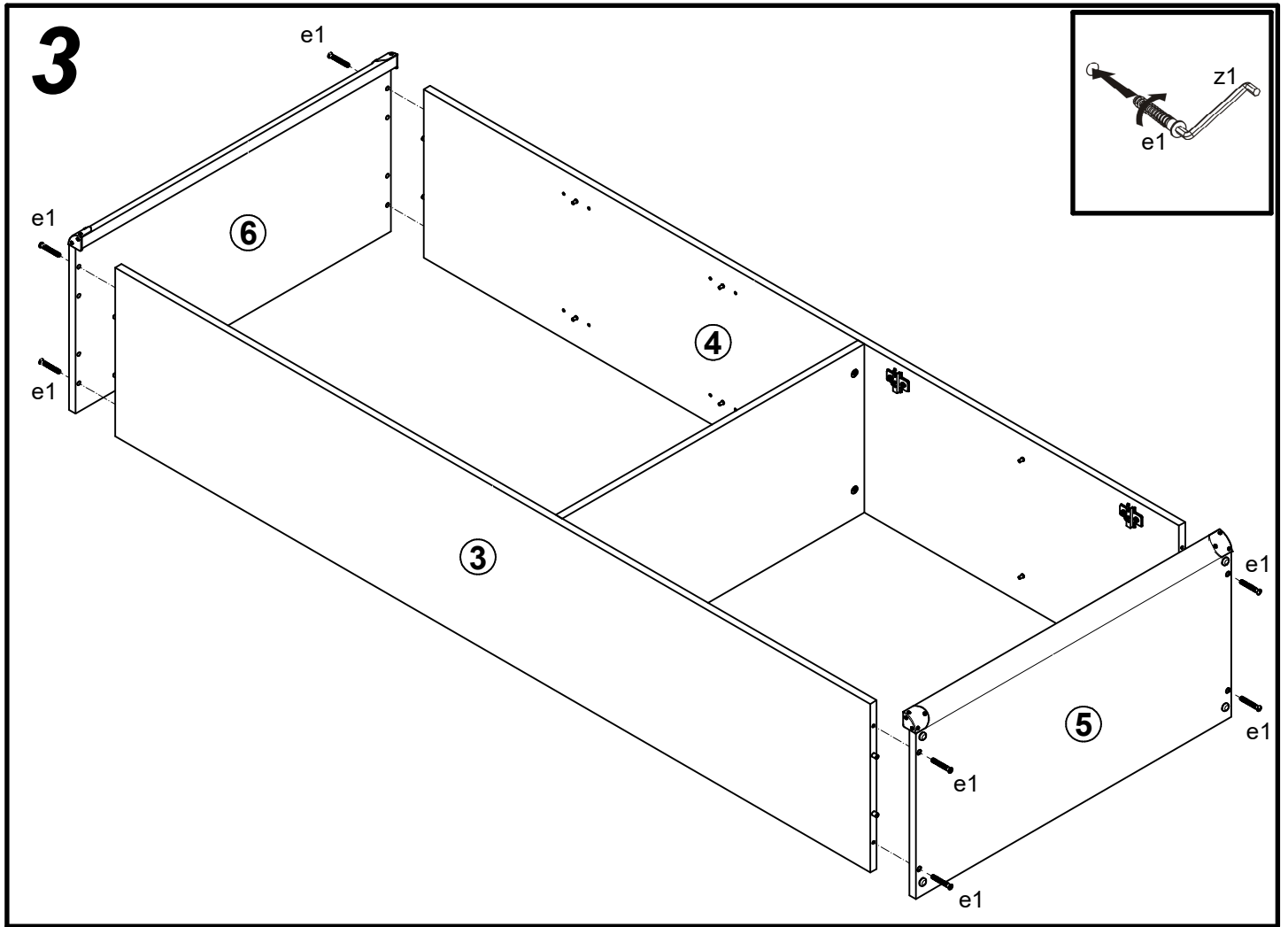
4x a2	4x b1	2x c158	12x d1 Ø5x17 mm	8x e1 Ø7x50 mm	12x f1 Ø8x30 mm	4x j30 M4x22 mm	4x k22 Ø15	65x l1
4x i27	2x i28/L	2x i28/P	16x p83 Ø3x12 mm	4x r1 Ø15x12 mm #16	4x r42	1x z1 4 mm	1x n26/1	1x p38 Ø3.5x16 mm

1

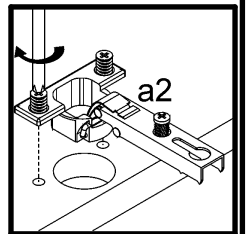
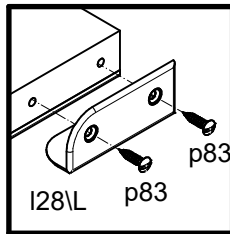
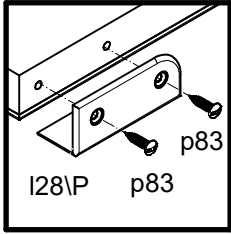
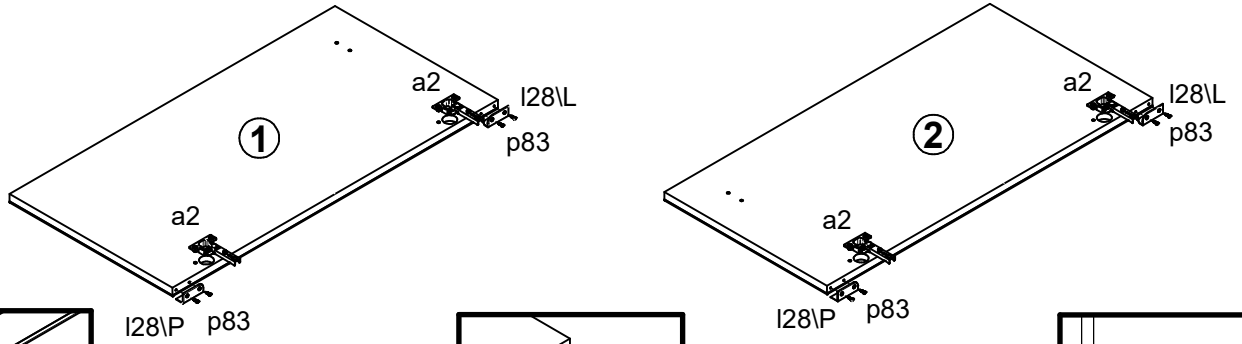


2





5



6

