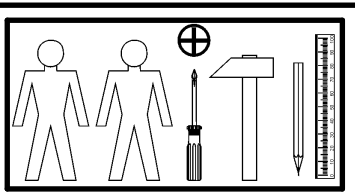
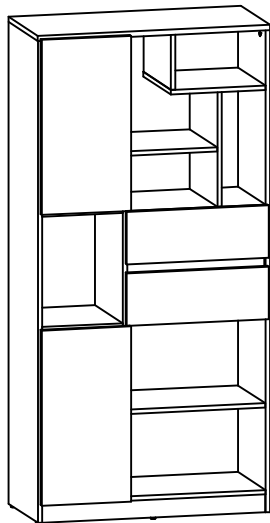
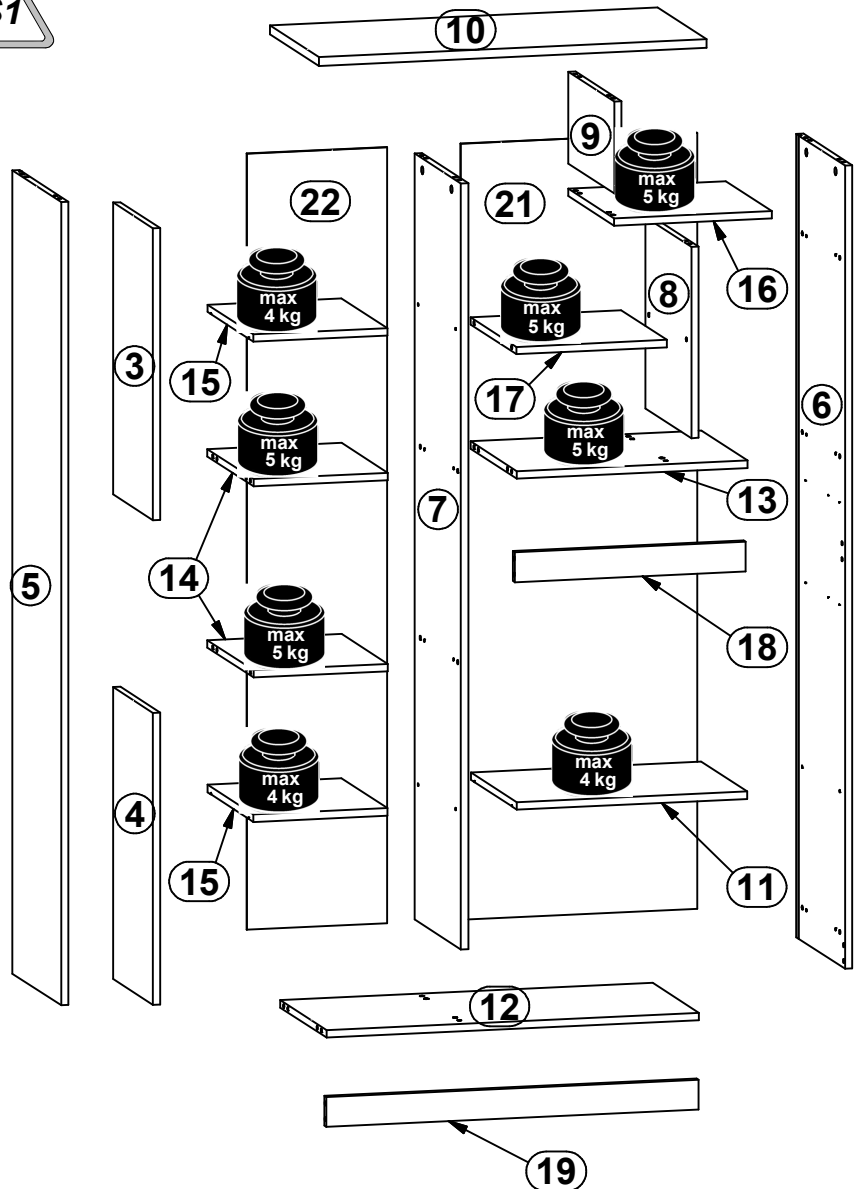
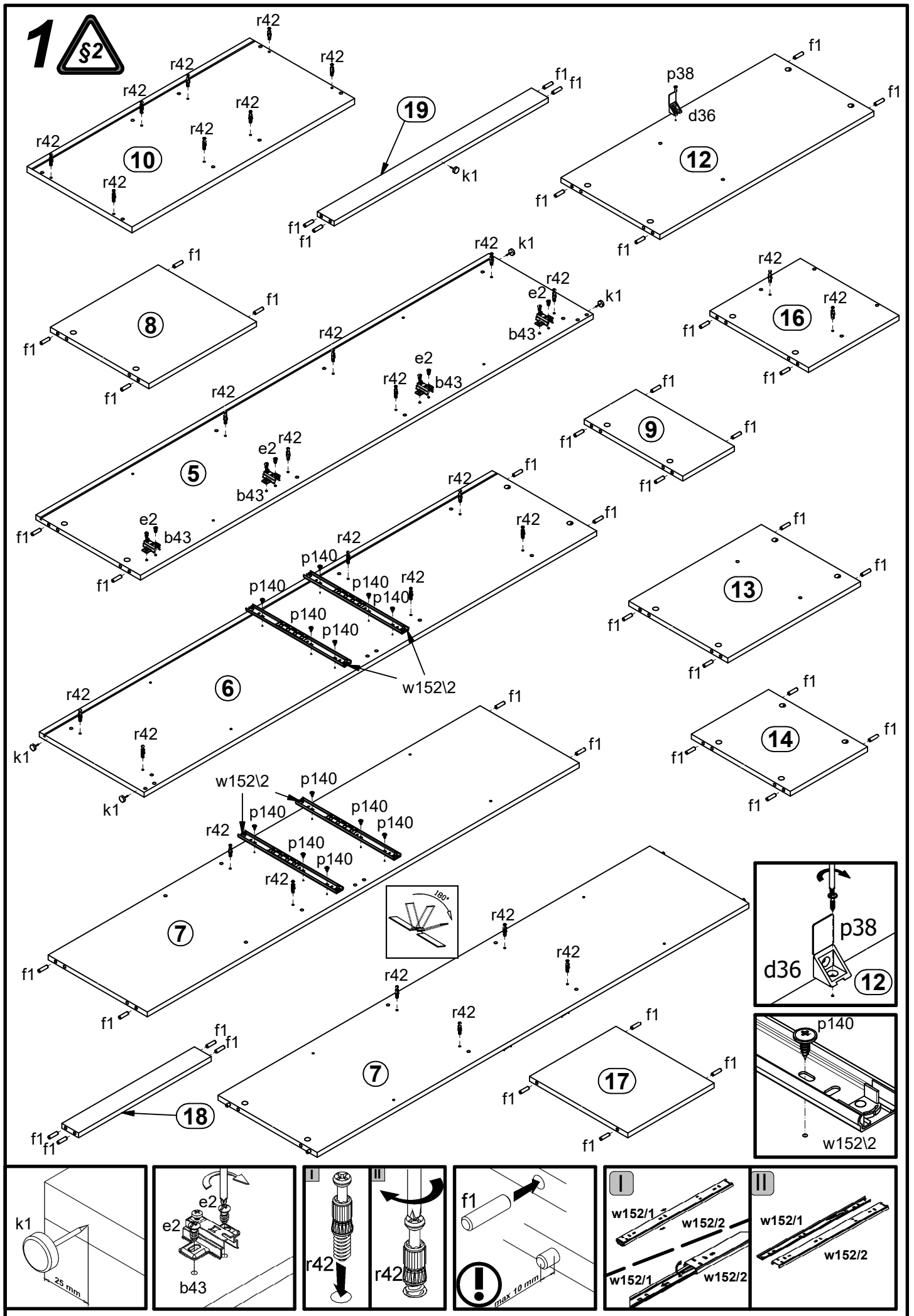


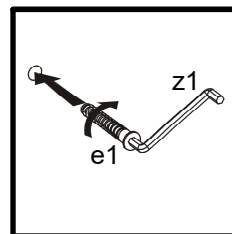
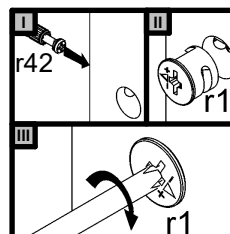
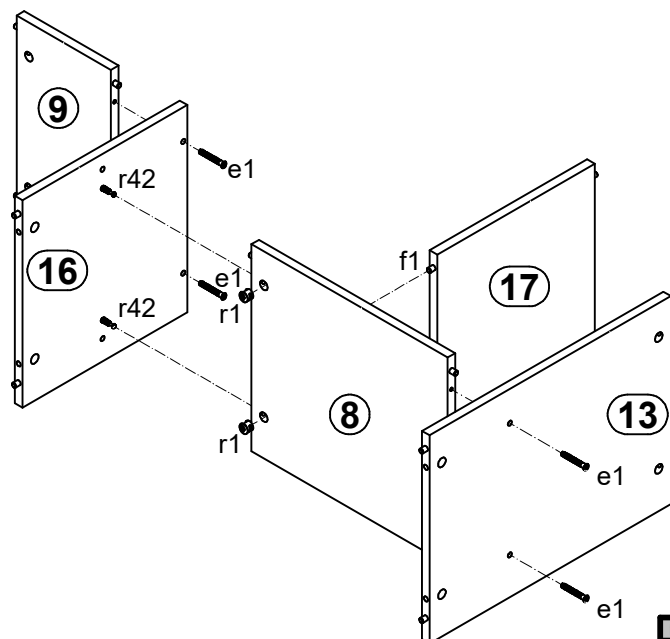
A	B	C	D	
1	S441-0001	486	176	3/3
2	S441-0007	486	176	3/3
3	S441-0008	588	306	3/3
4	S441-0011	588	306	3/3
5	S441-1008	1618	374	2/3
6	S441-1009	1618	374	2/3
7	S441-1010	1543	354	2/3
8	S441-1011	385	352	1/3
9	S441-1012	185	352	1/3
10	S441-2004	796	375	1/3
11	S441-3002	473	352	1/3
12	S441-3005	765	354	1/3
13	S441-3006	474	354	1/3
14	S441-3007	276	354	1/3
15	S441-3008	275	352	1/3
16	S441-3009	324	353	1/3
17	S441-3010	309	351	1/3
18	S441-4003	474	60	2/3
19	S441-4011	765	60	2/3
20	S441-9001	438	357	1/3
21	S441-9005	1563	486	2/3
22	S441-9006	1563	288	2/3
23	ZK3-5013	428	97	2/3
24	ZK3-519	350	110	2/3
25	ZK3-520	350	110	2/3



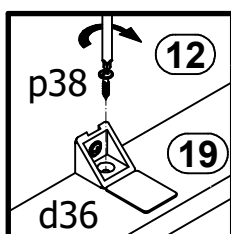
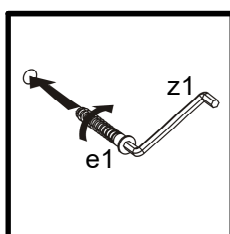
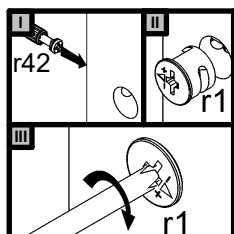
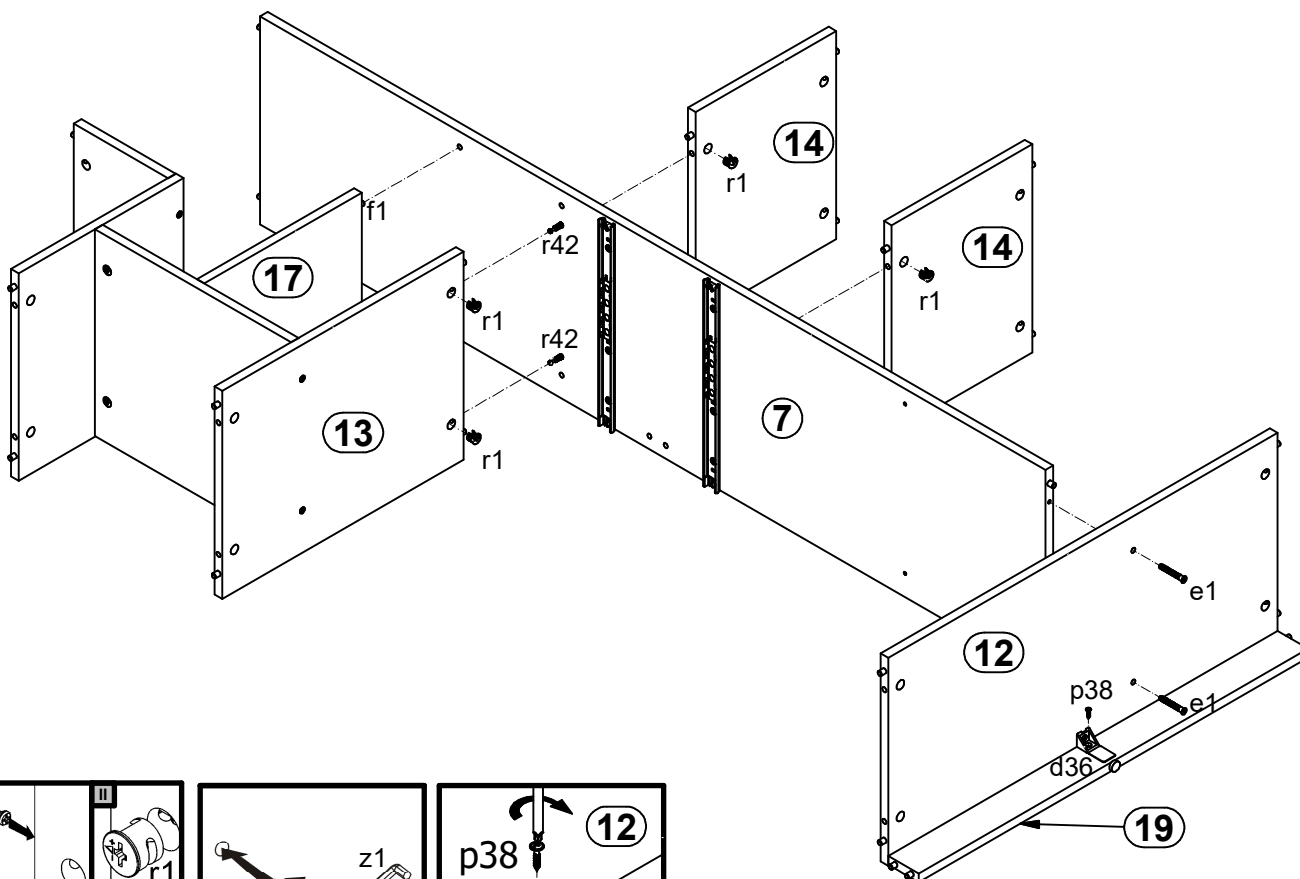
2x  a133	4x  a159	4x  b43	12x  d1 Ø5x17 mm	1x  d36	6x  e1 Ø7x50 mm	8x  e2 Ø6.3x13 mm	46x  f1 Ø8x30 mm	8x  f25 Ø6.5x40 mm	
4x  f9 Ø6x30 mm	5x  k1	15x  l1 1.4x20 mm	10x  i2	7x  n108 22x9.5x210.7 mm	24x  p140 Ø3.5x12 mm	8x  p38 Ø3.5x16 mm	8x  p51 Ø3.5x15 mm	7x  p55 Ø2.9x16 mm	
28x  r1 Ø15x12 mm #16	8x  r15 Ø12x10.5 mm #12	36x  r42 20/11	4x  w152 1 350/580 mm	4x  w152 2 350/580 mm	2x  s59 Ø14x0.5 mm	16x  s68 Ø 20mm	1x  z1 4 mm	1x  n26	1x  p38 Ø3.5x16 mm



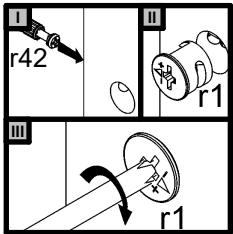
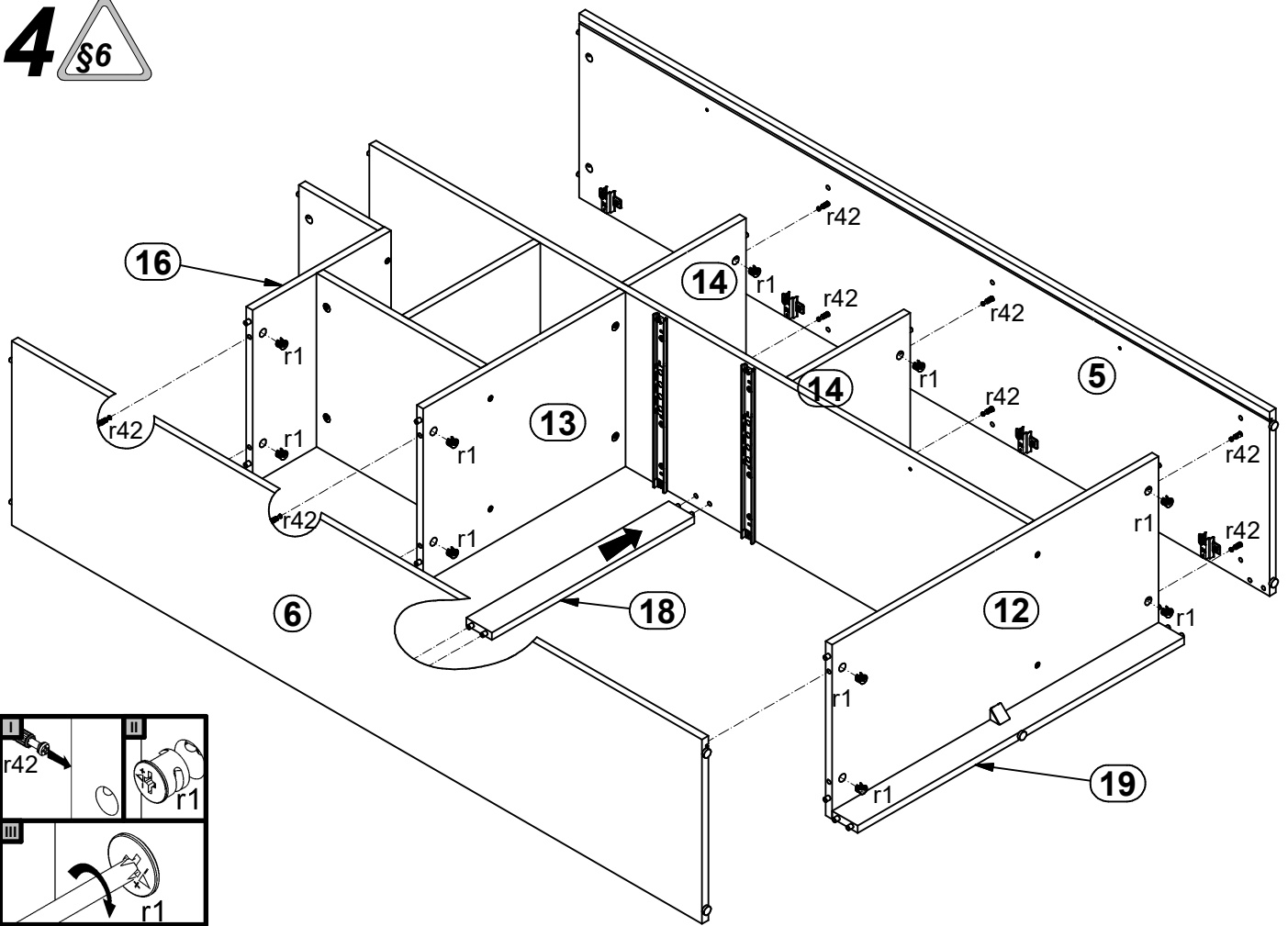
# 2



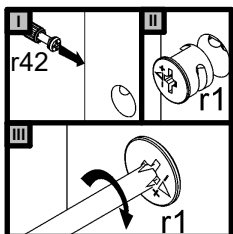
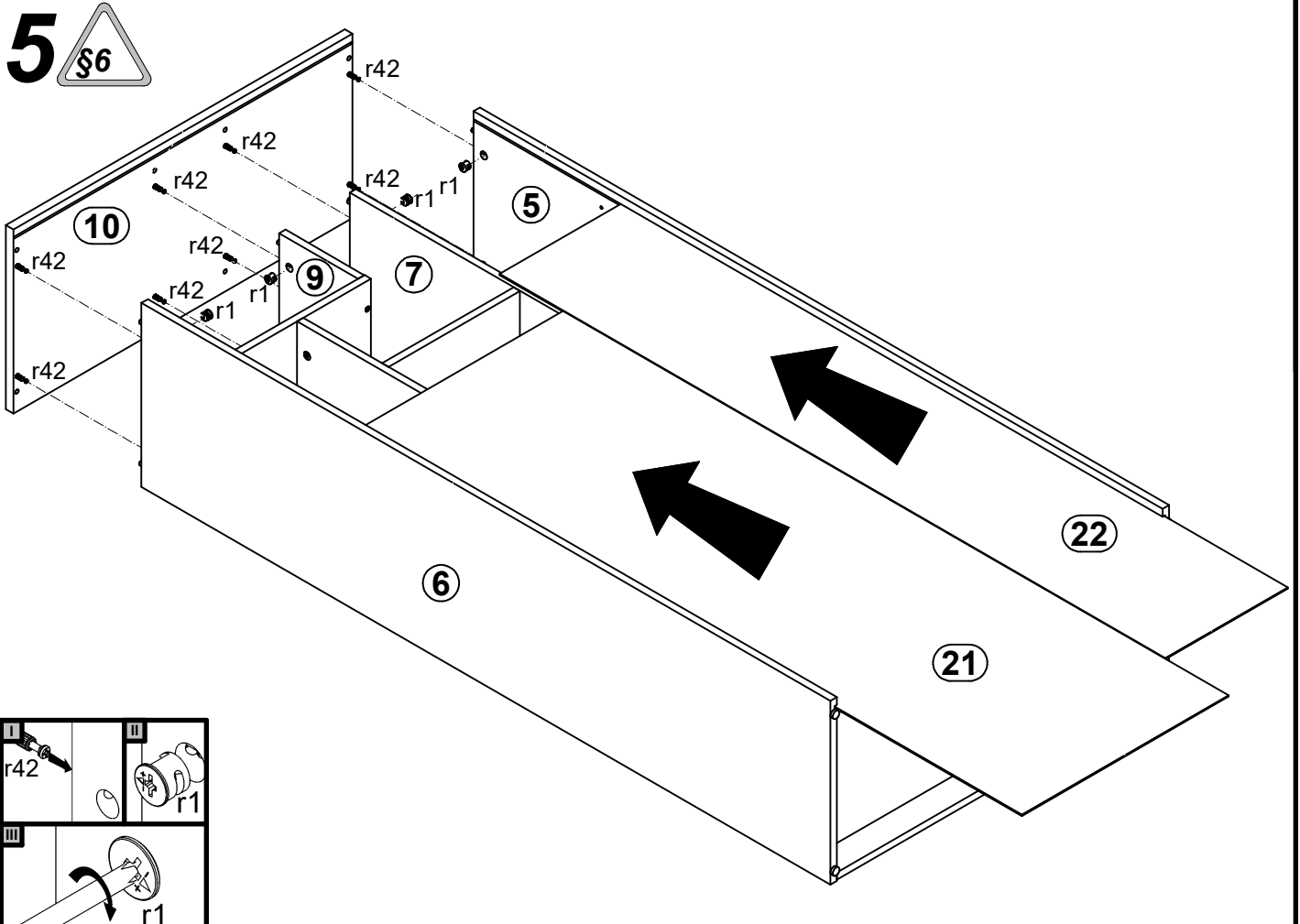
# 3



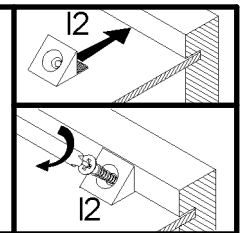
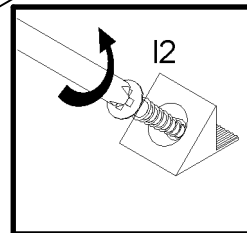
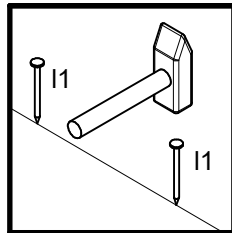
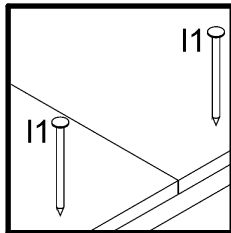
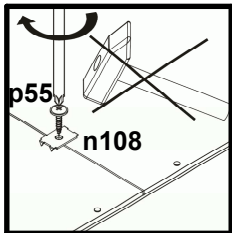
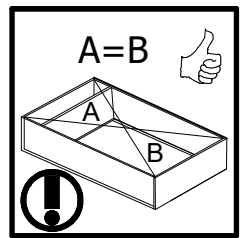
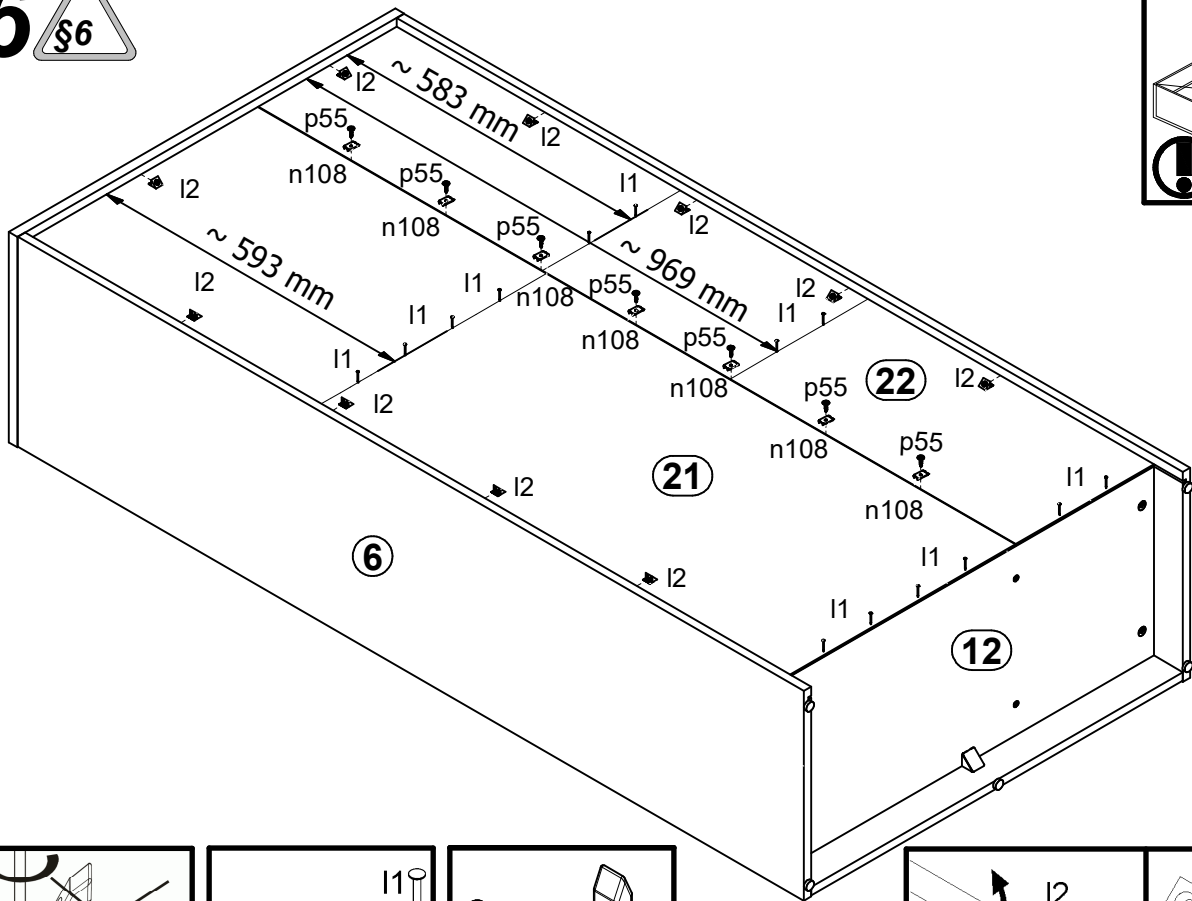
# 4



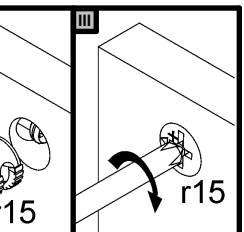
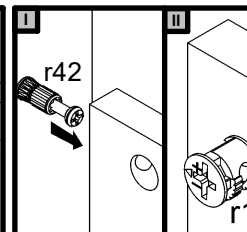
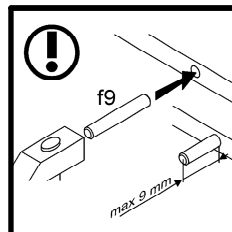
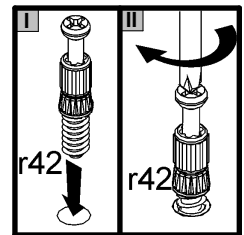
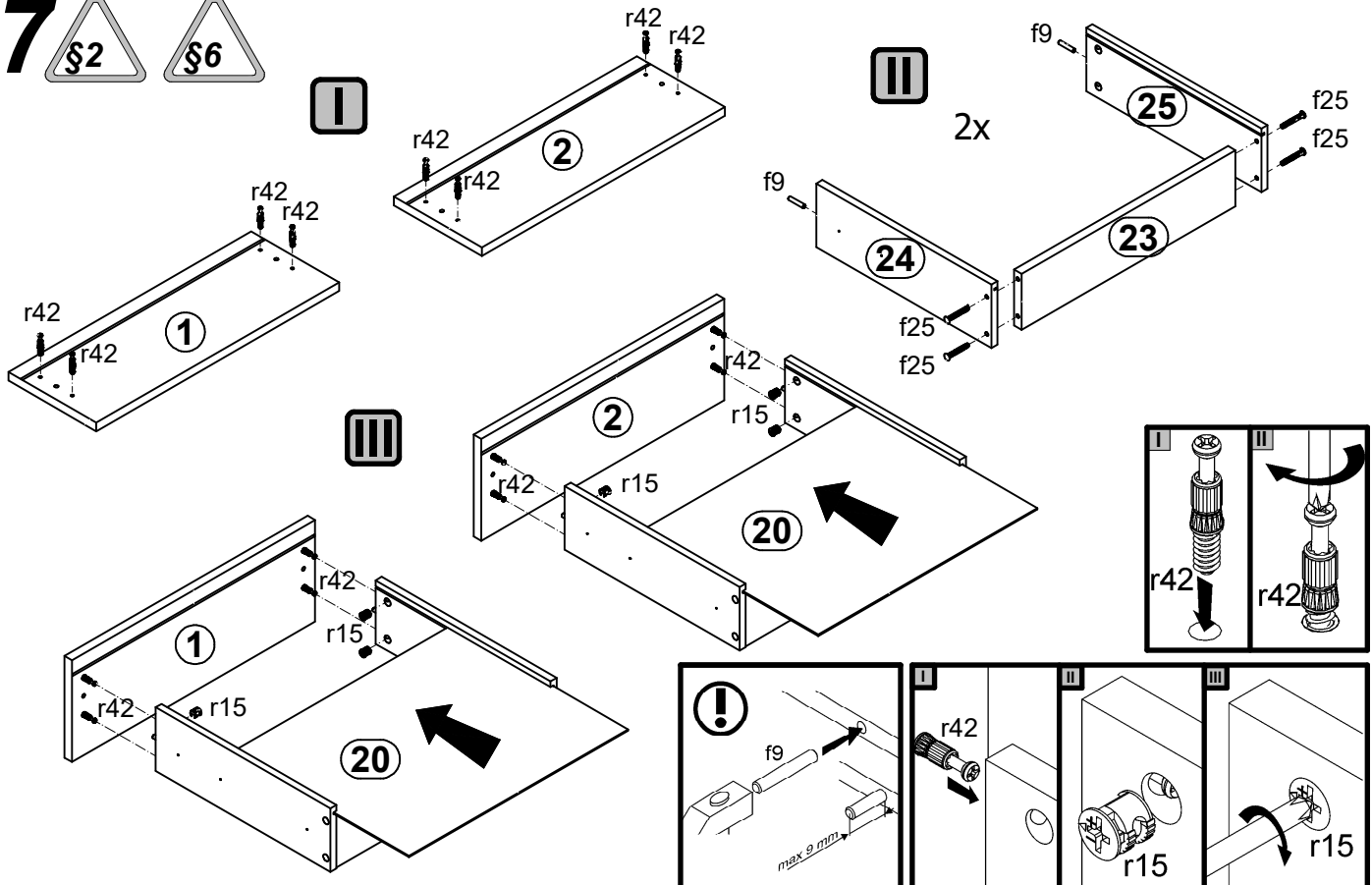
# 5



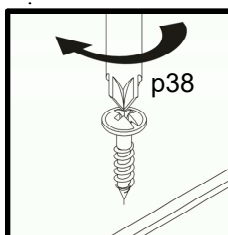
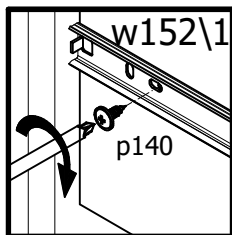
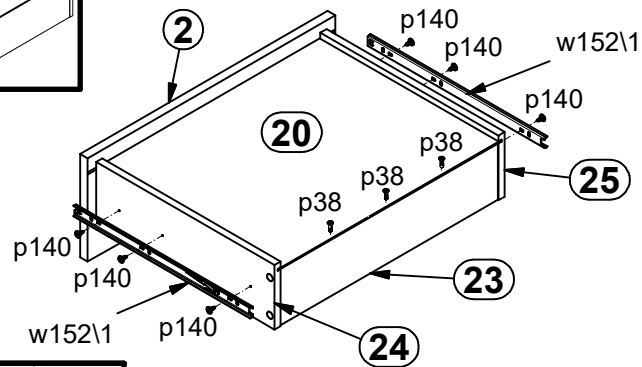
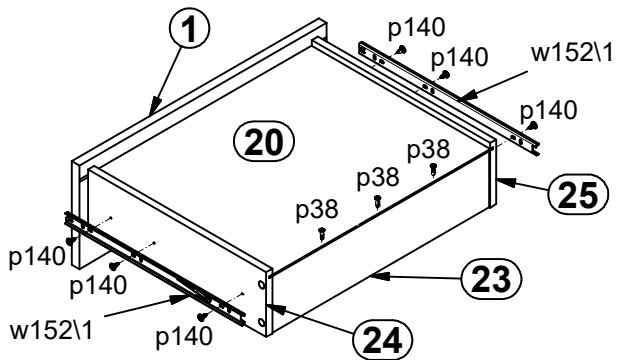
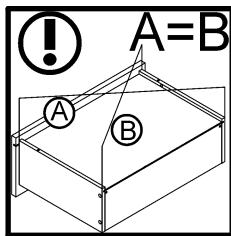
# 6



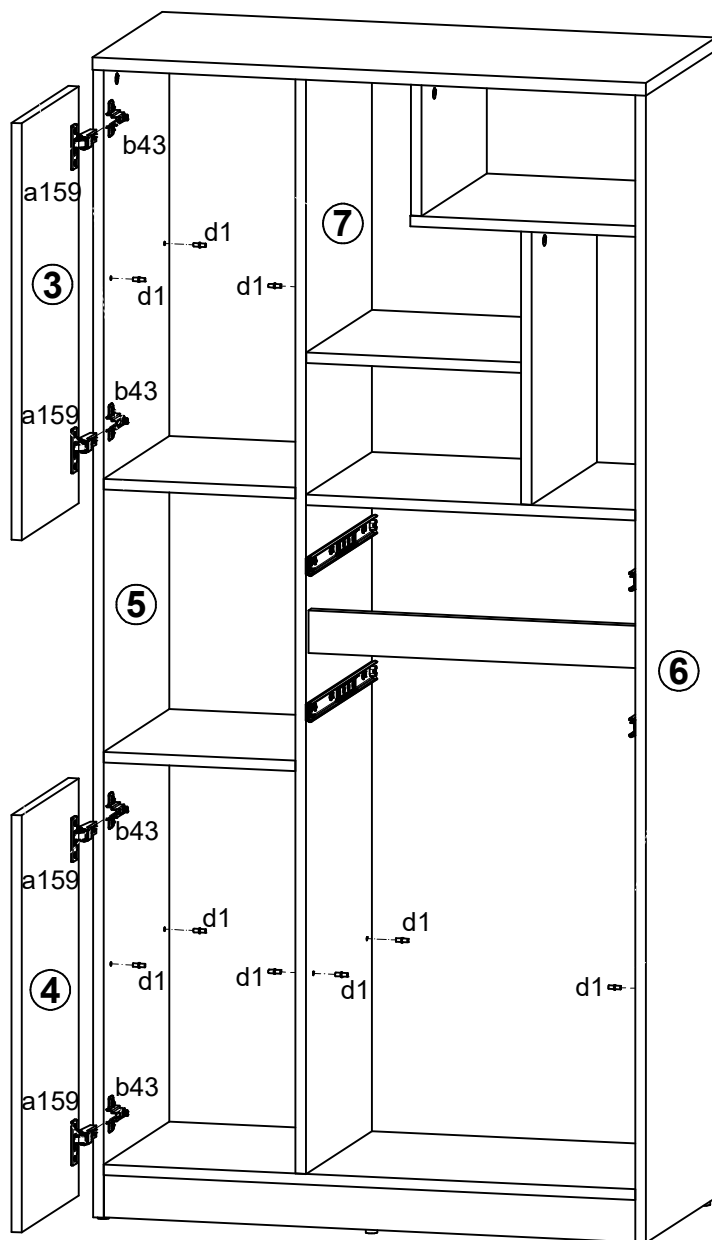
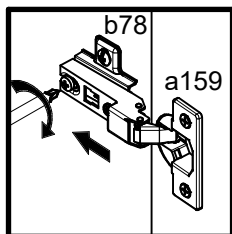
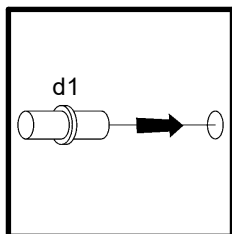
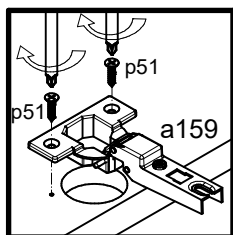
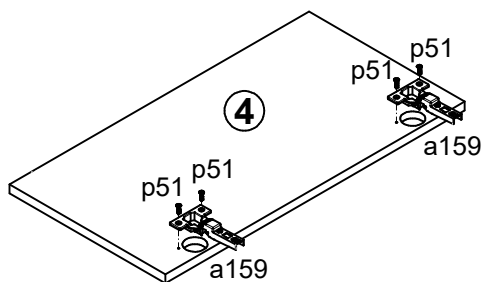
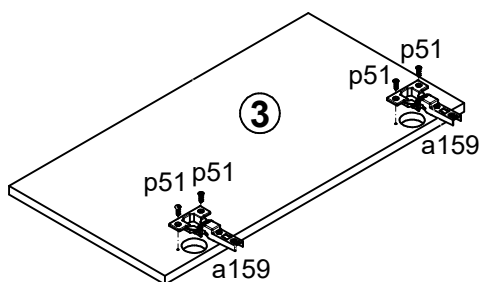
# 7



8 §6



9 §2 §6



# 10

