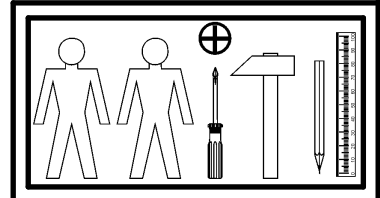
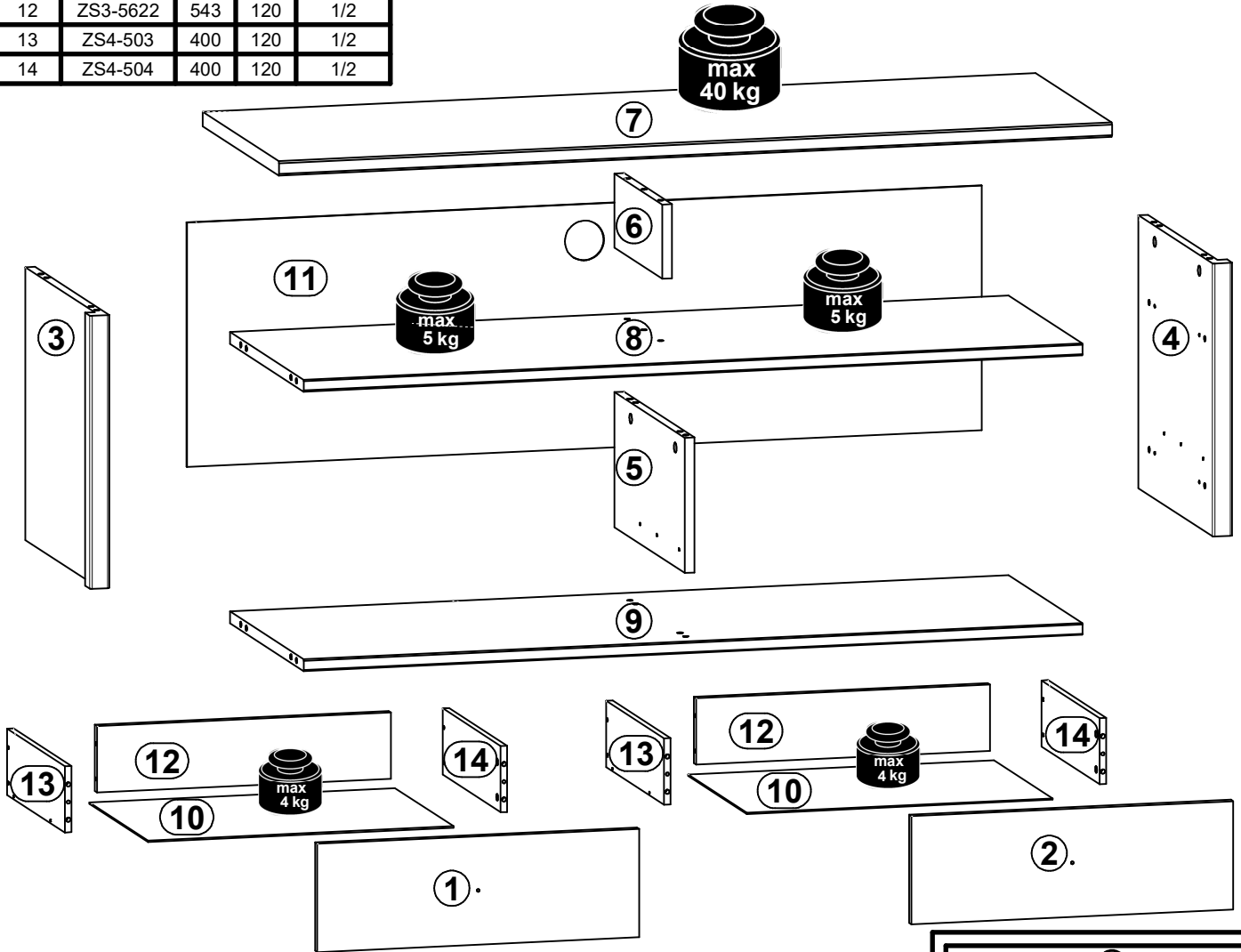
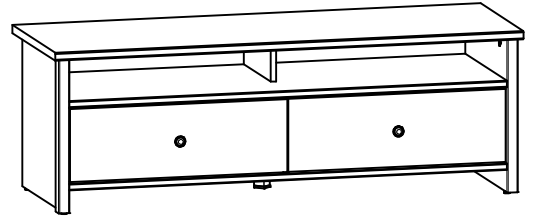
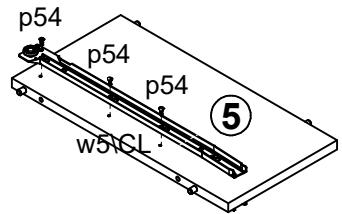
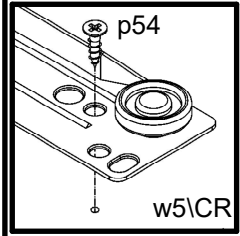
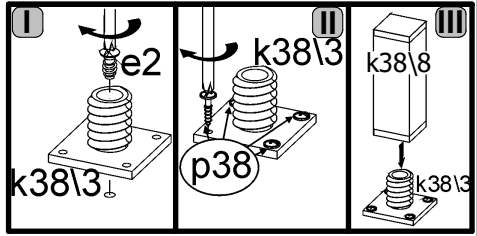
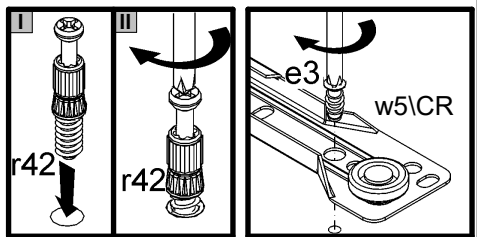
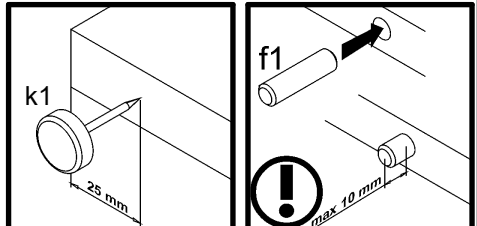
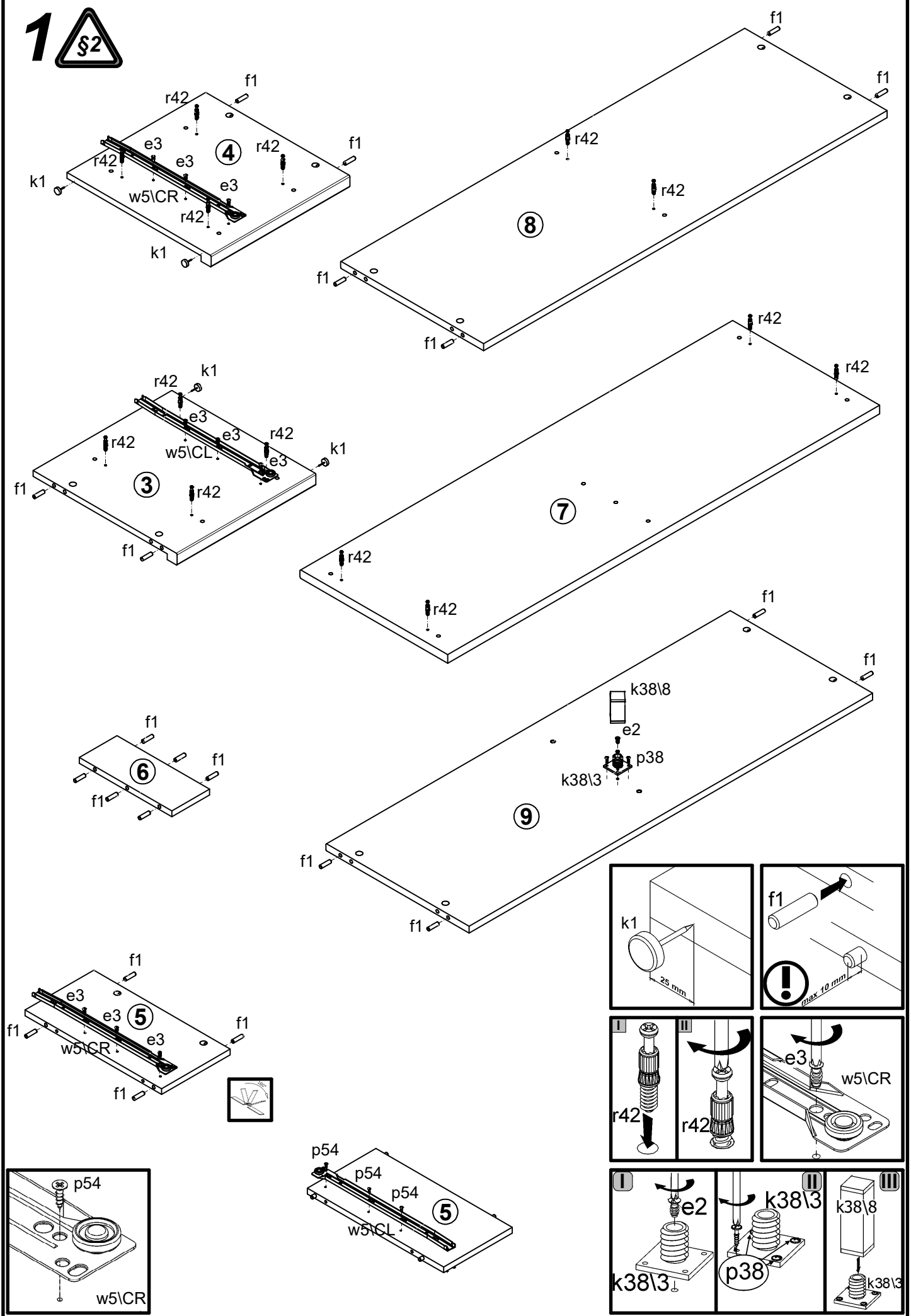


A	B	C	D	
1	S322-005	595	196	2/2
2	S322-006	595	196	2/2
3	S322-105	412	428	1/2
4	S322-106	412	428	1/2
5	S322-107	204	405	1/2
6	S322-108	112	275	1/2
7	S322-203	1283	439	1/2
8	S322-302	1199	425	1/2
9	S322-303	1199	425	1/2
10	S322-907	565	405	1/2
11	S322-908	369	1224	1/2
12	ZS3-5622	543	120	1/2
13	ZS4-503	400	120	1/2
14	ZS4-504	400	120	1/2

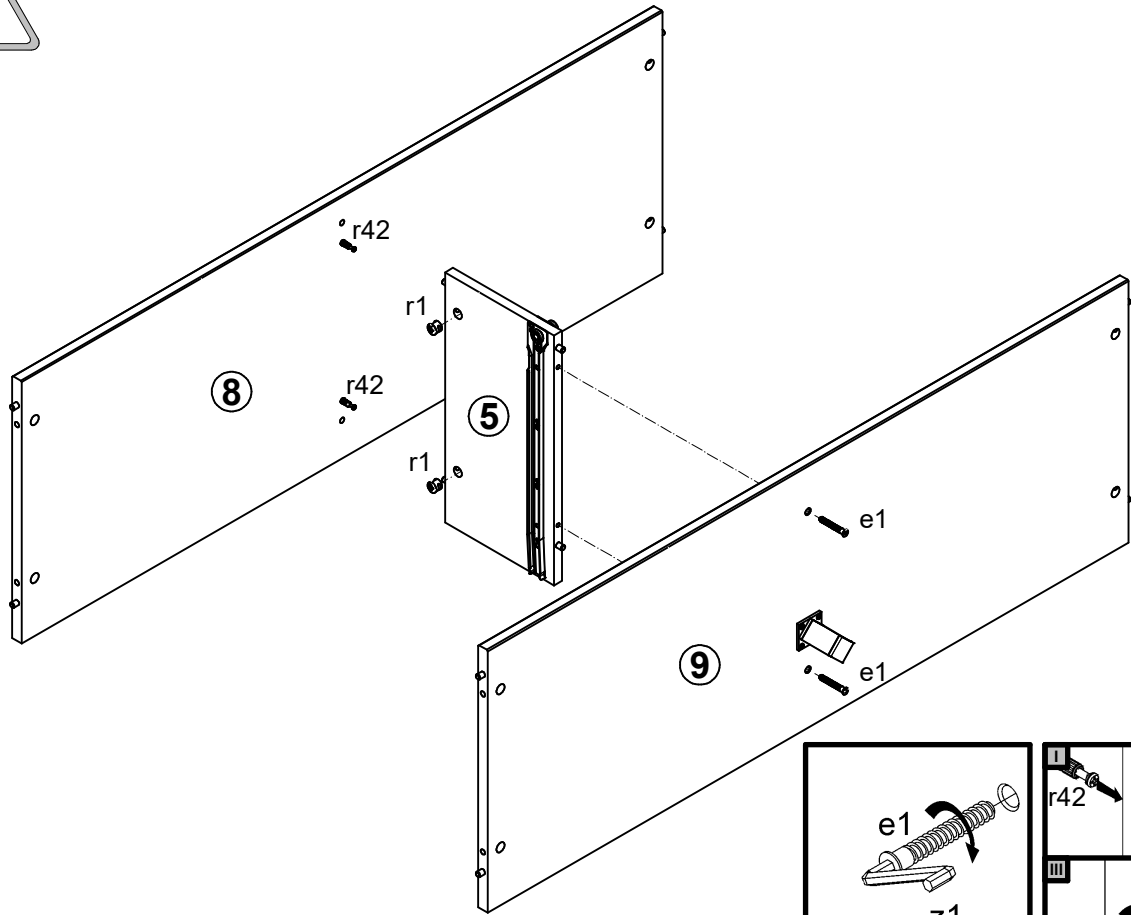


2x M4 c415	2x Ø7x50 mm e1	1x Ø6.3x13 mm e2	9x Ø6x13 mm e3	8x Ø5x9 mm e19	22x Ø8x30 mm f1	4x Ø6x30 mm f9	8x Ø6.5x40 mm f25	2x M4x20 mm j1
4x k1	1x 42.5x42.5x4 mm k38\3	1x 30x30x60 mm k38\8	45x l1	12x Ø3.5x16 mm p38	3x Ø3x12 mm p54	14x Ø15x12 mm #16 r1	8x Ø12x10.5 mm #12 r15	22x 20\11 r42
2x 400 mm w5\CL	2x 400 mm w5\CR	2x 400 mm w5\DL	2x 400 mm w5\DR	1x z1	5x Ø16 s2			

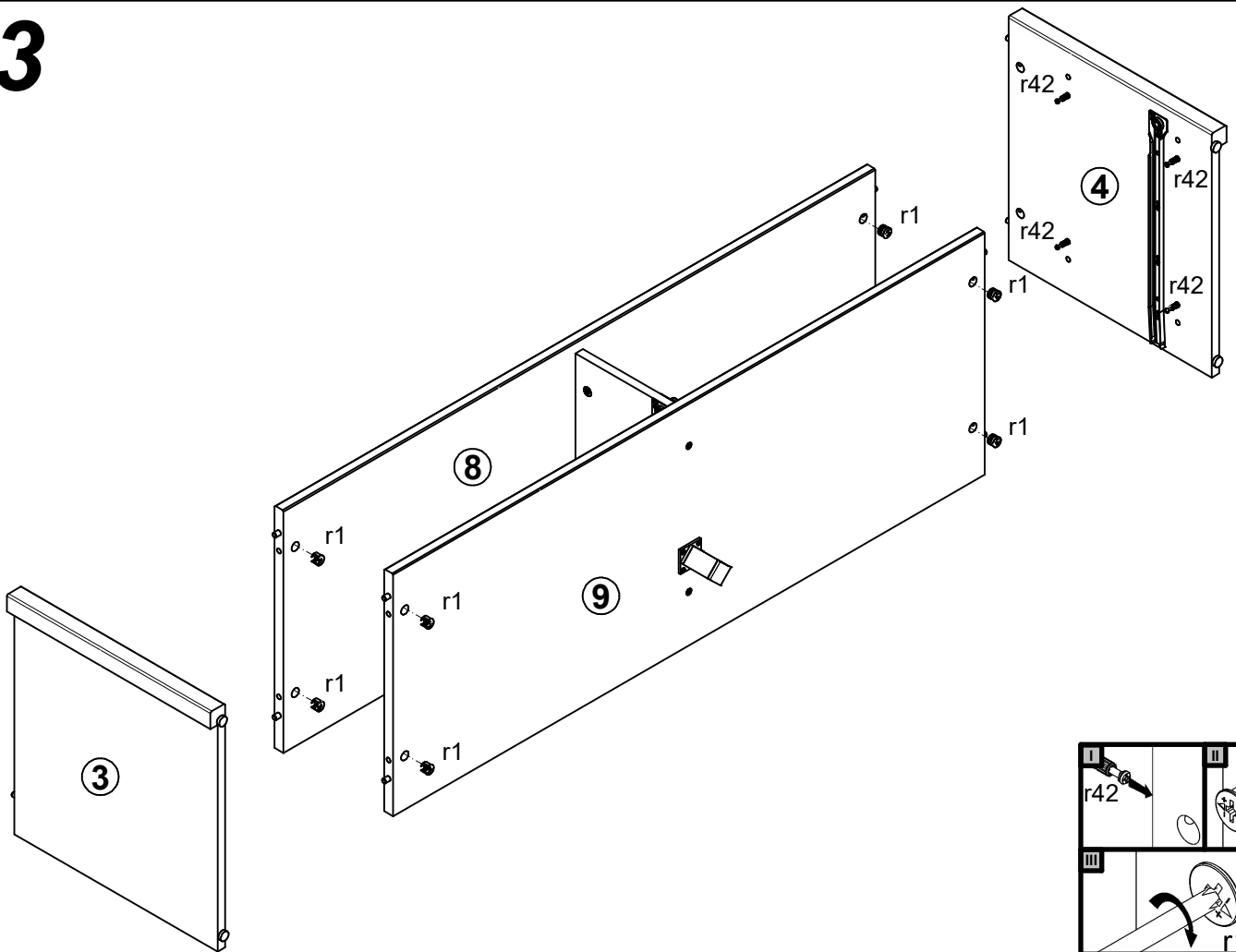
# 1



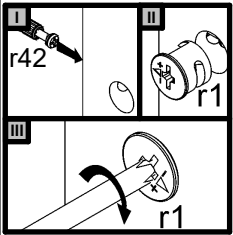
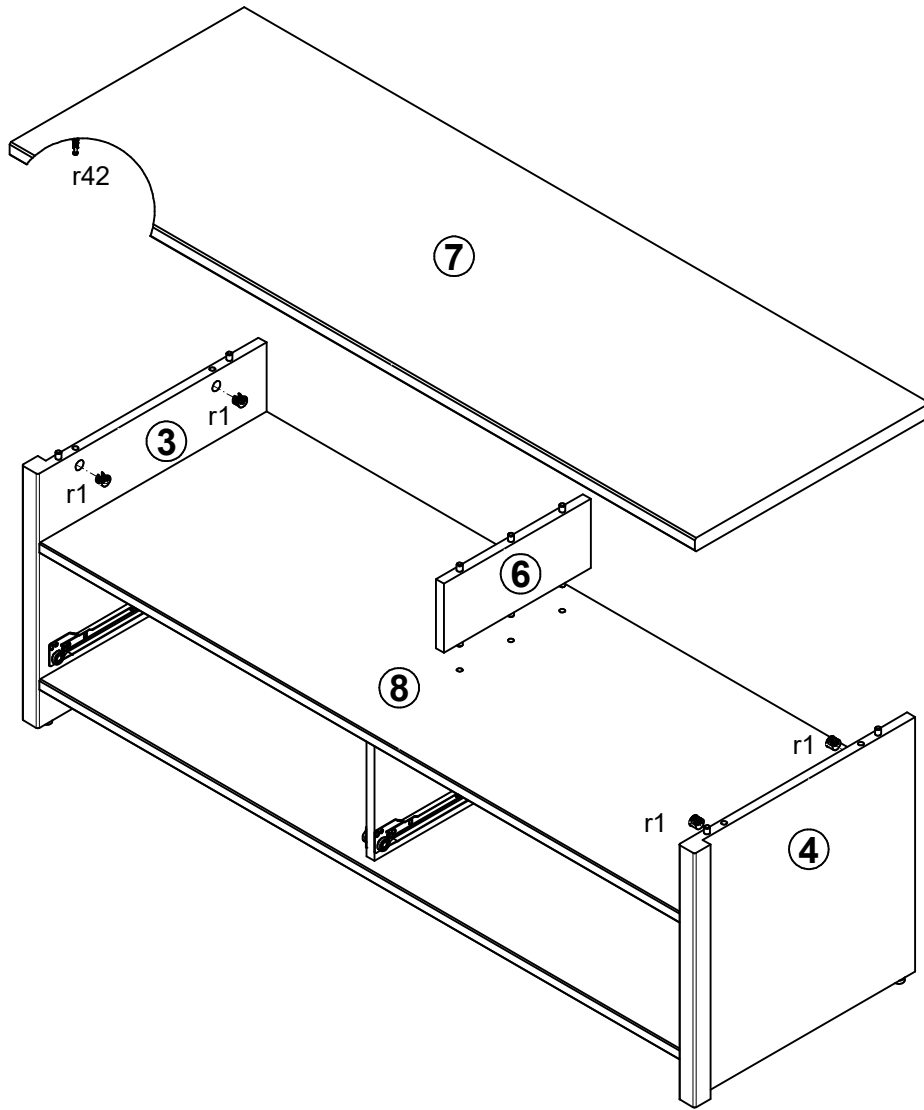
# 2



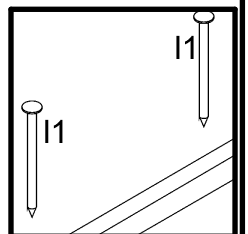
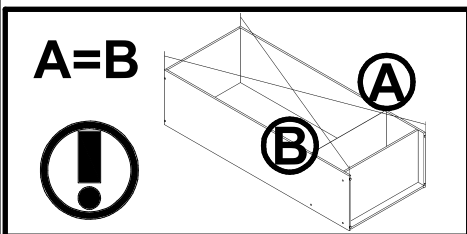
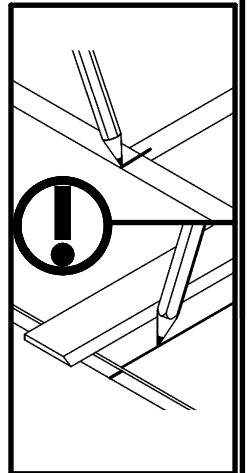
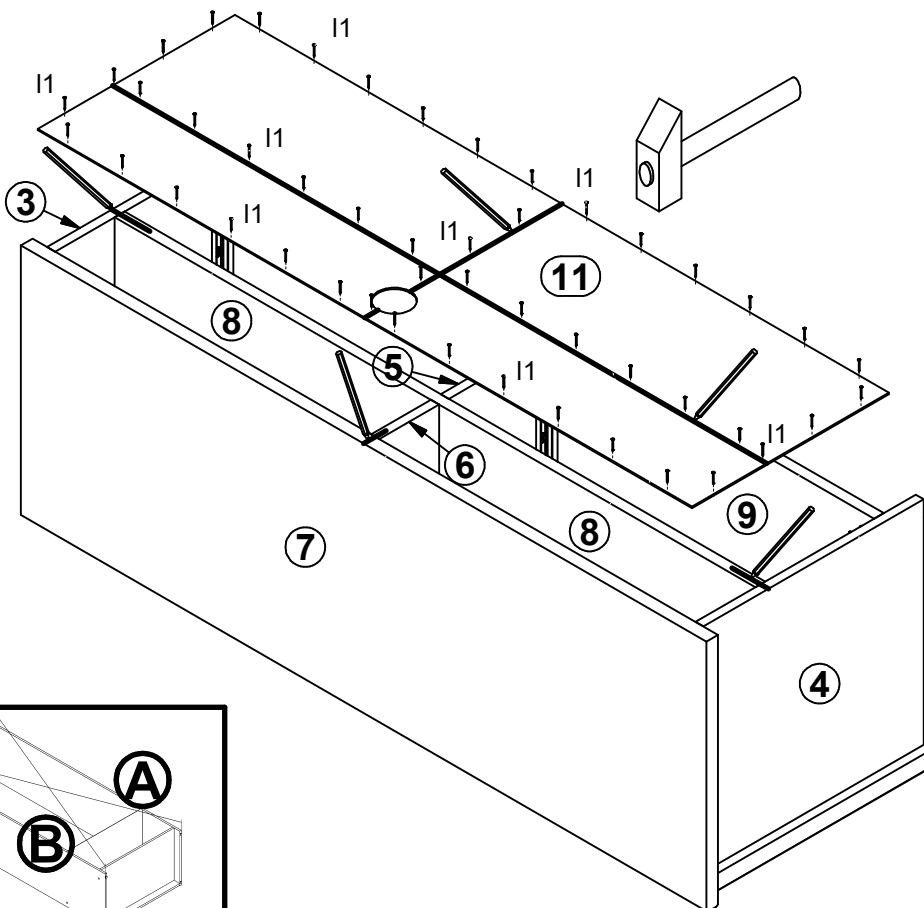
# 3



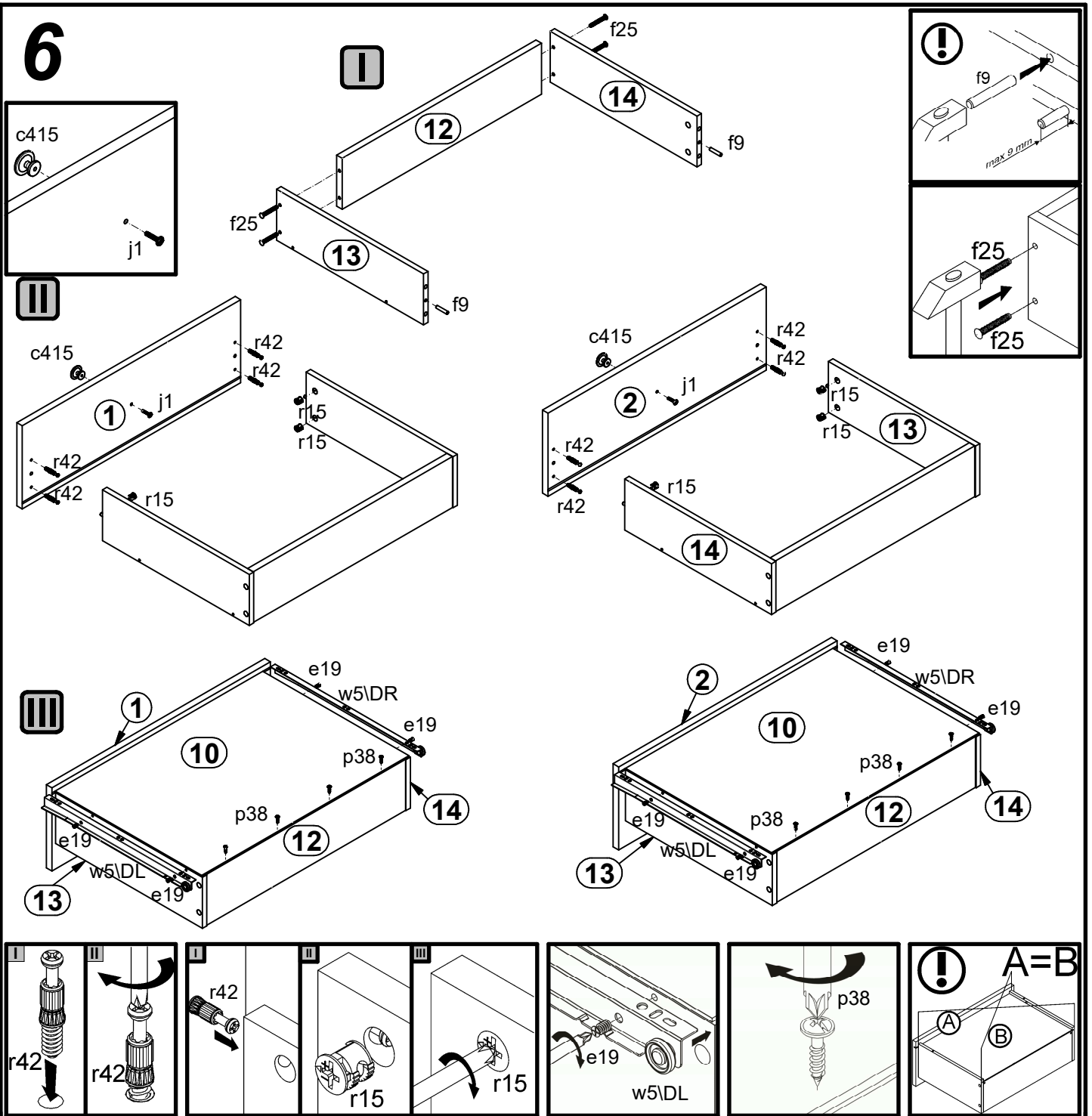
# 4



# 5



# 6



# 7

