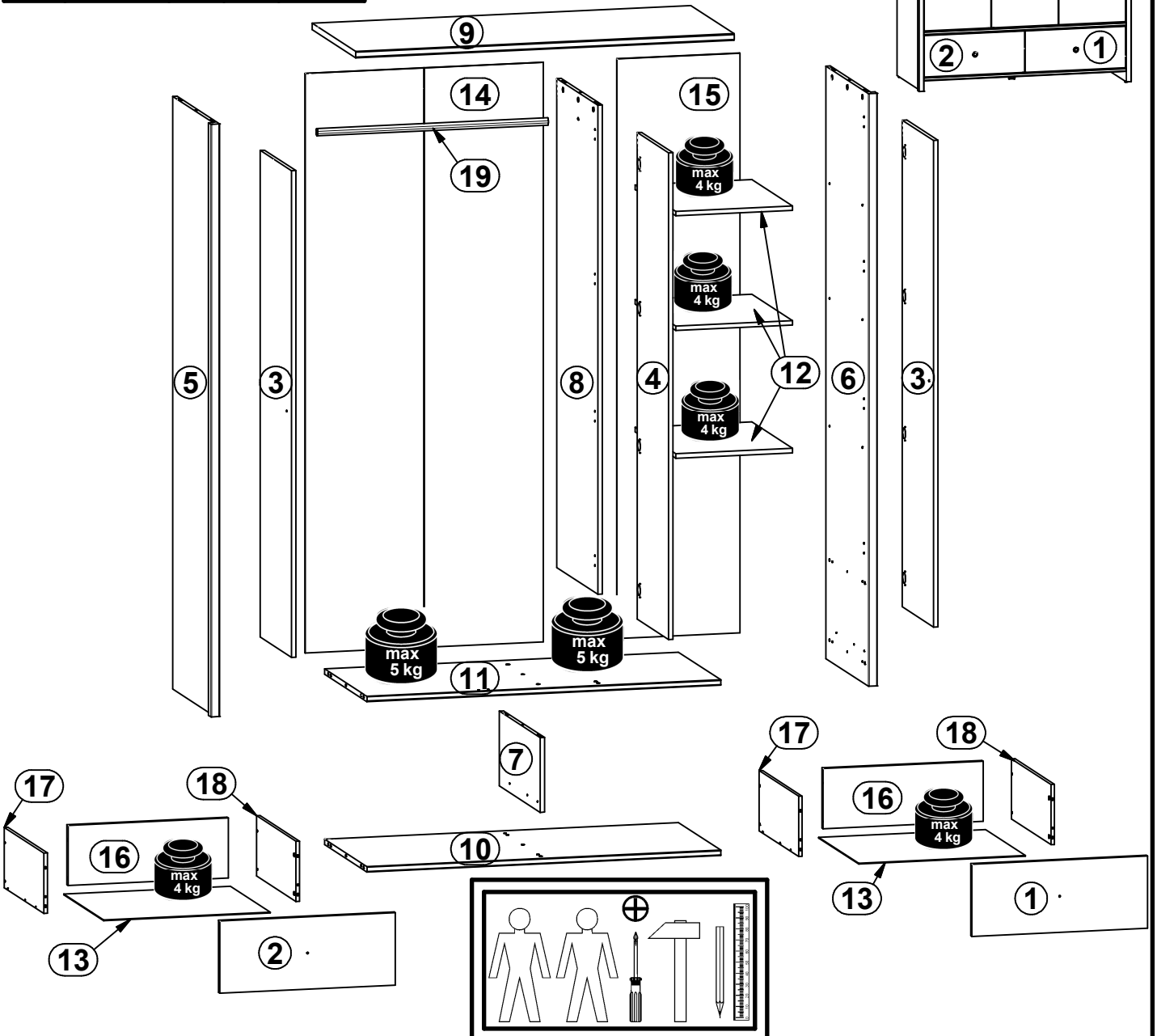
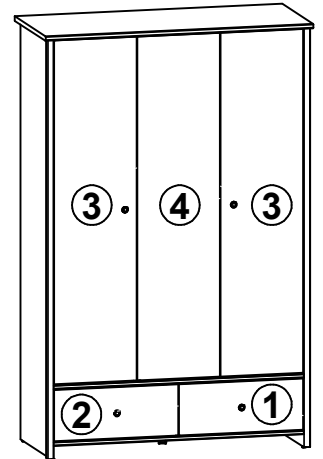
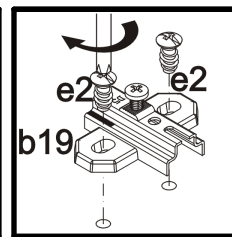
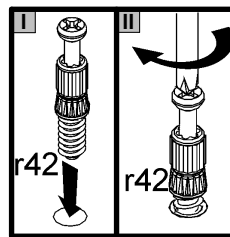
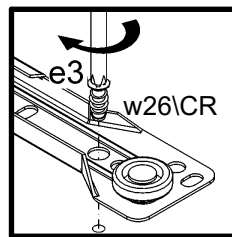
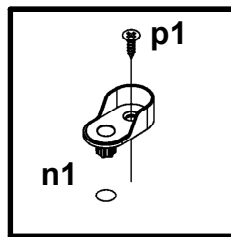
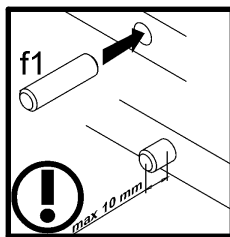
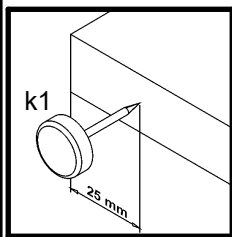
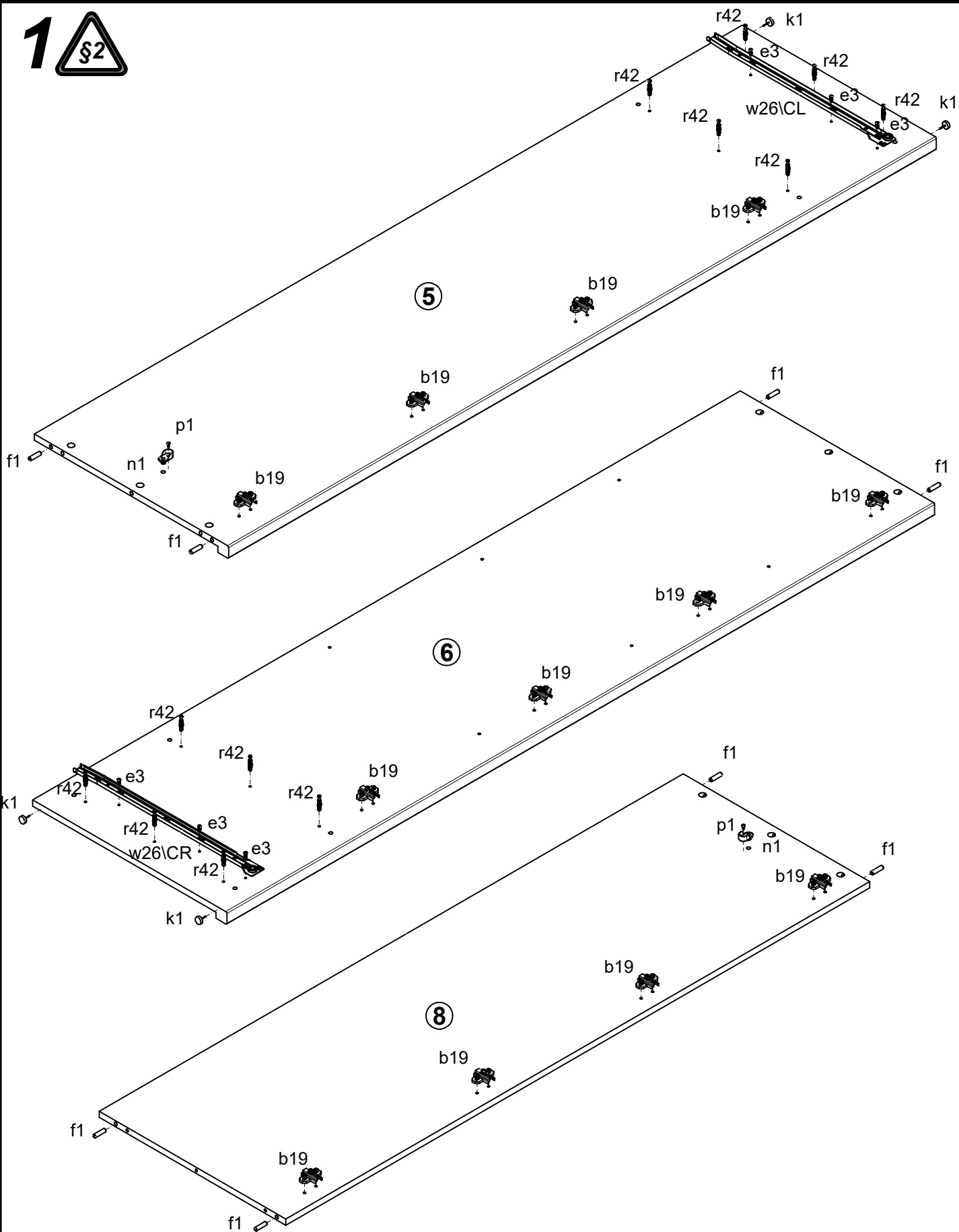


A	B	C	D	A	B	C	D		
1	S322-014	595	240	3/4	11	S322-310	1199	537	2/4
2	S322-015	595	240	3/4	12	S322-311	396	513	2/4
3	S322-016	1616	396	4/4	13	S322-917	565	505	2/4
4	S322-017	1616	396	4/4	14	S322-918	1925	807	1/4
5	S322-116	1968	540	1/4	15	S322-920	1925	417	1/4
6	S322-117	1968	540	1/4	16	ZS3-5625	543	200	2/4
7	S322-118	248	517	1/4	17	ZS4-541	500	200	2/4
8	S322-119	1624	519	1/4	18	ZS4-542	500	200	2/4
9	S322-206	1283	551	2/4	19	dr-782	782	22	2/4
10	S322-309	1199	537	2/4					

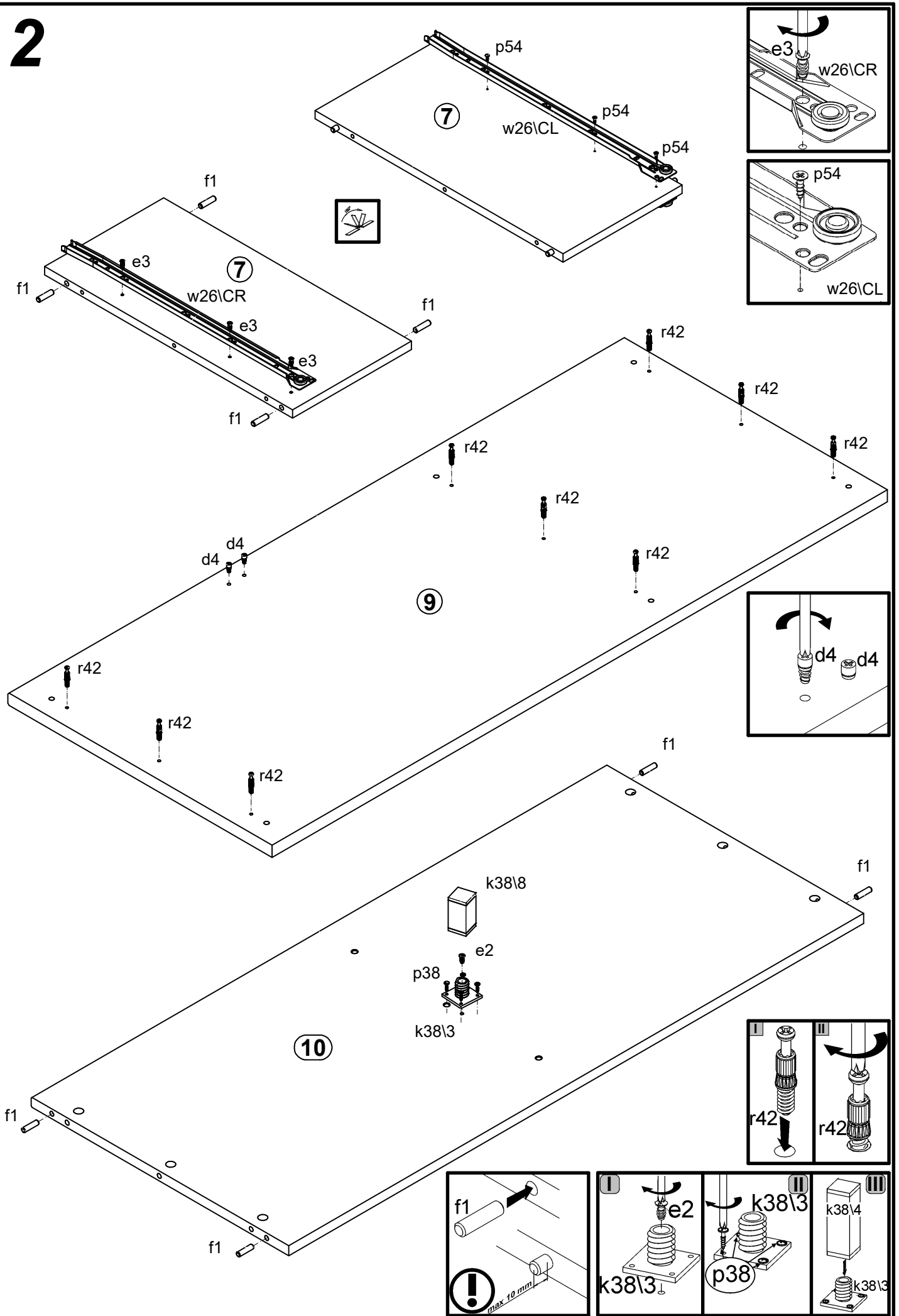


8x K16 a43	4x K2 a44	12x D5 b19	4x M4 c415	12x Ø5x17 mm d1	4x Ø6,3x15 mm d4	9x Ø7x50 mm e1	1x Ø6,3x13 mm e2	9x Ø6x13 mm e3
12x Ø5x9 mm e19	20x Ø8x30 mm f1	4x Ø6x30 mm f9	8x Ø6,5x40 mm f25	4x M4x20 mm j1	4x k1	1x 42,5x42,5x4 mm k38/3	1x 30x30x60 mm k38/8	120x l1
2x h=22mm n1	2x silikon o21	2x Ø3,5x13 mm p1	12x Ø3,5x16 mm p38	24x Ø3,5x15 mm p51	3x Ø3x12 mm p54	21x Ø15x12 mm #16 r1	8x Ø12x10,5 mm #12 r15	29x 20/11 r42
2x 500 mm w26\CL	2x 500 mm w26\CR	2x 500 mm w26\DL	2x 500 mm w26\DR	3x s1	9x Ø16 s2	1x z1		

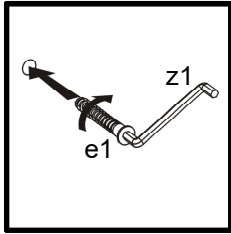
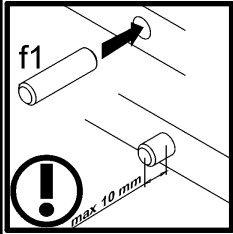
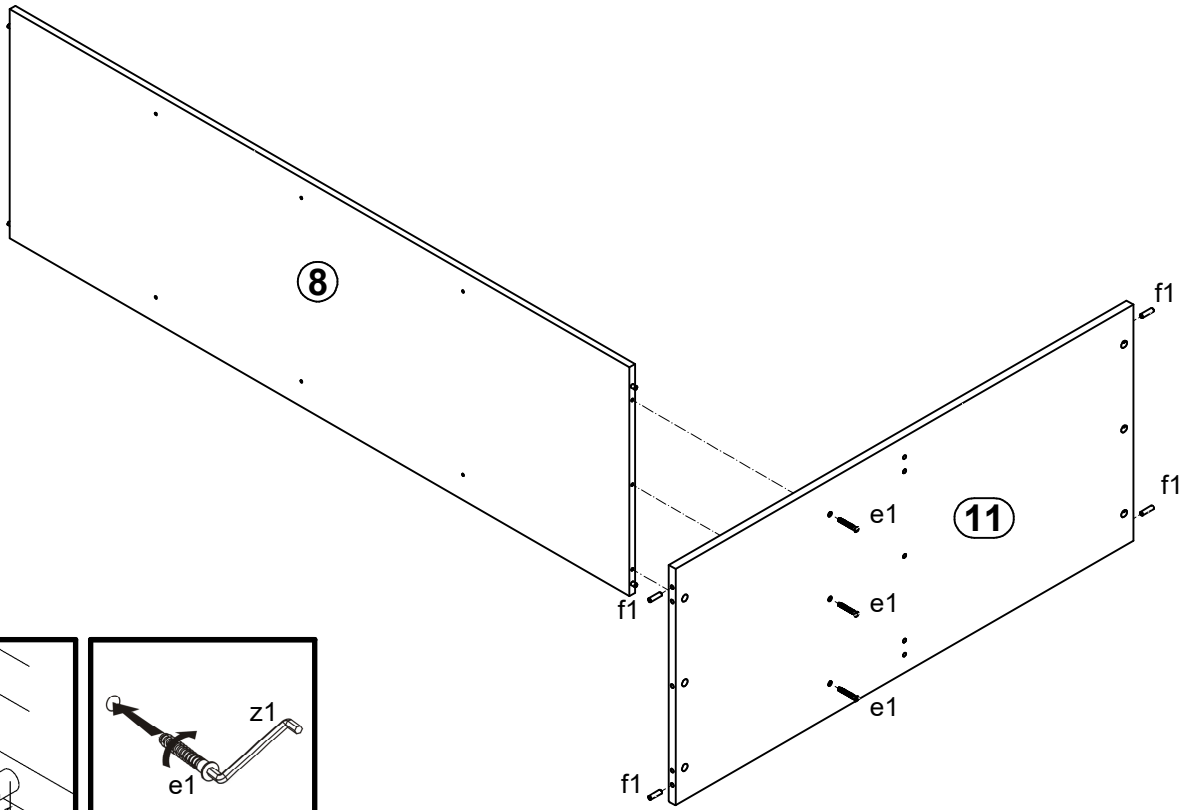
1 



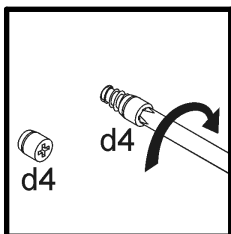
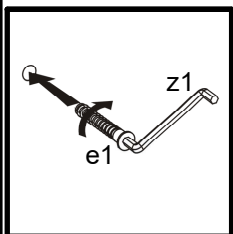
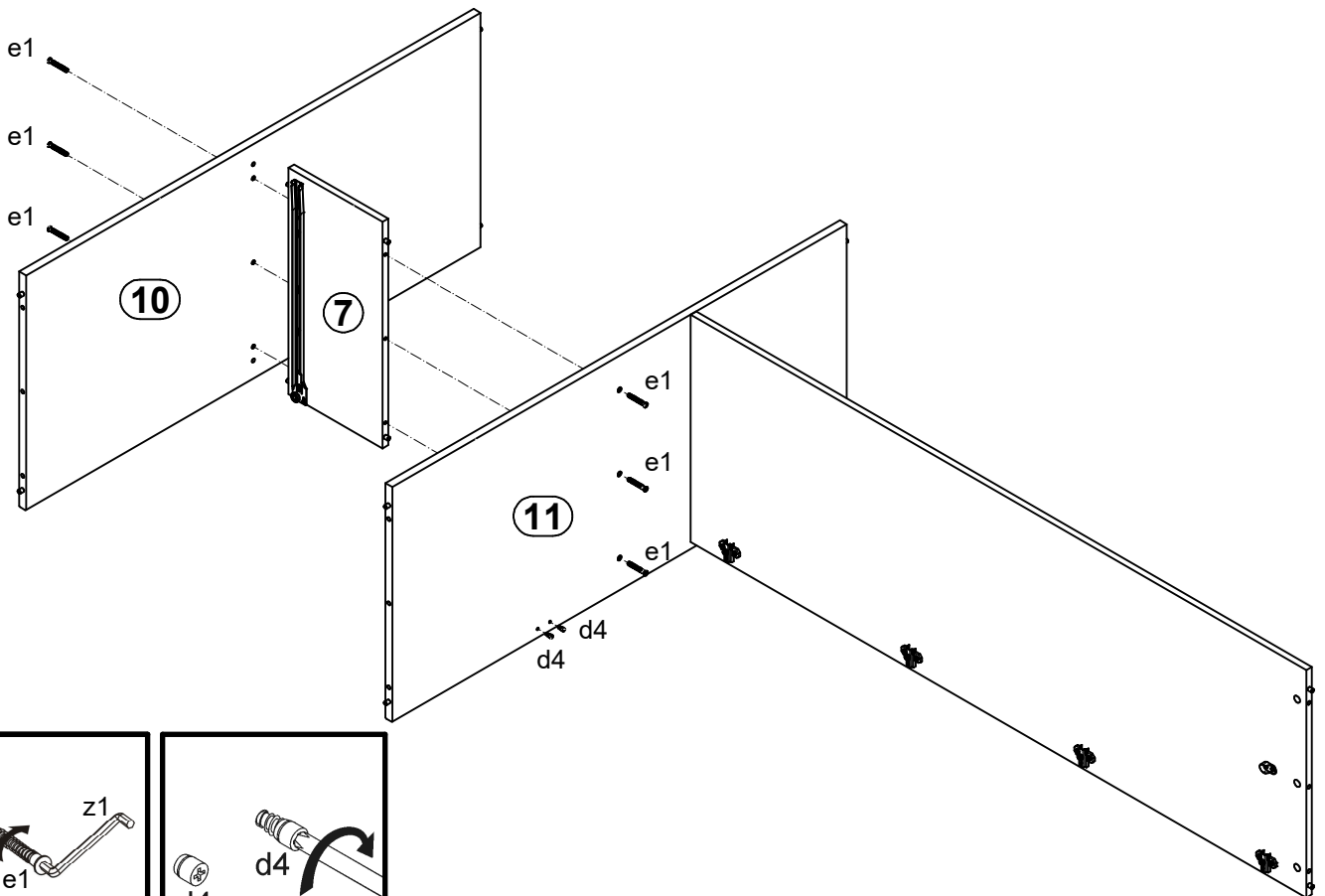
2



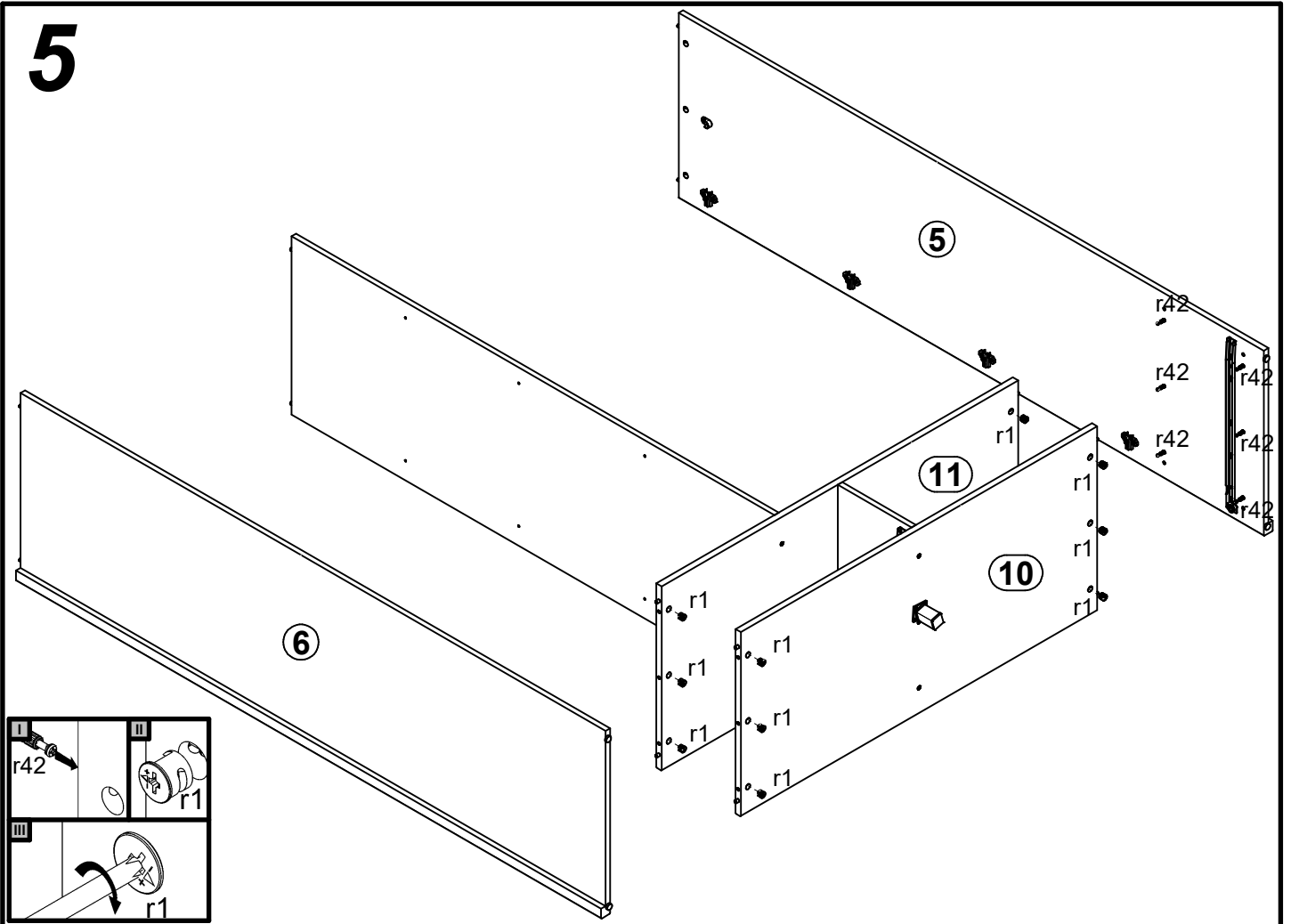
3



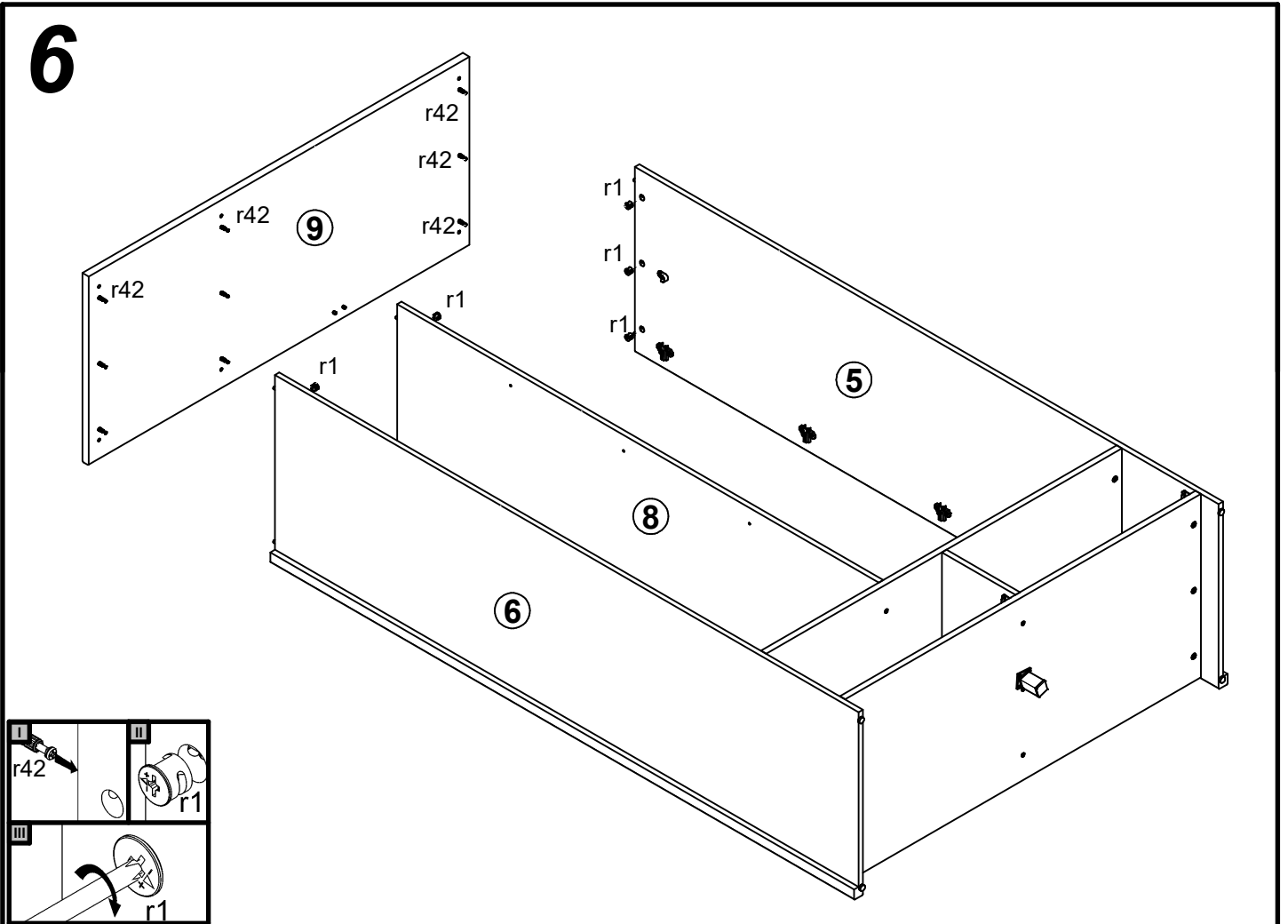
4

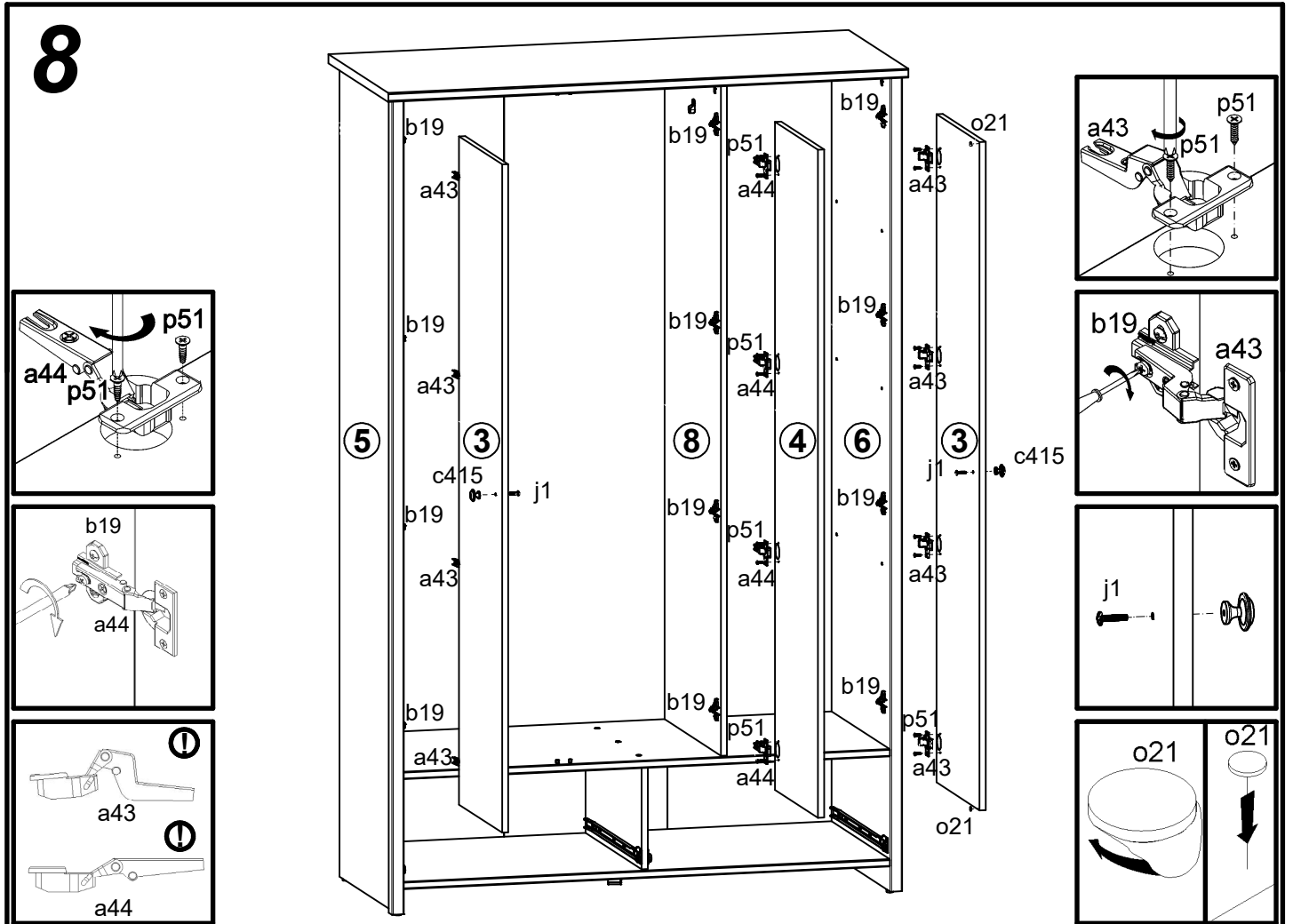
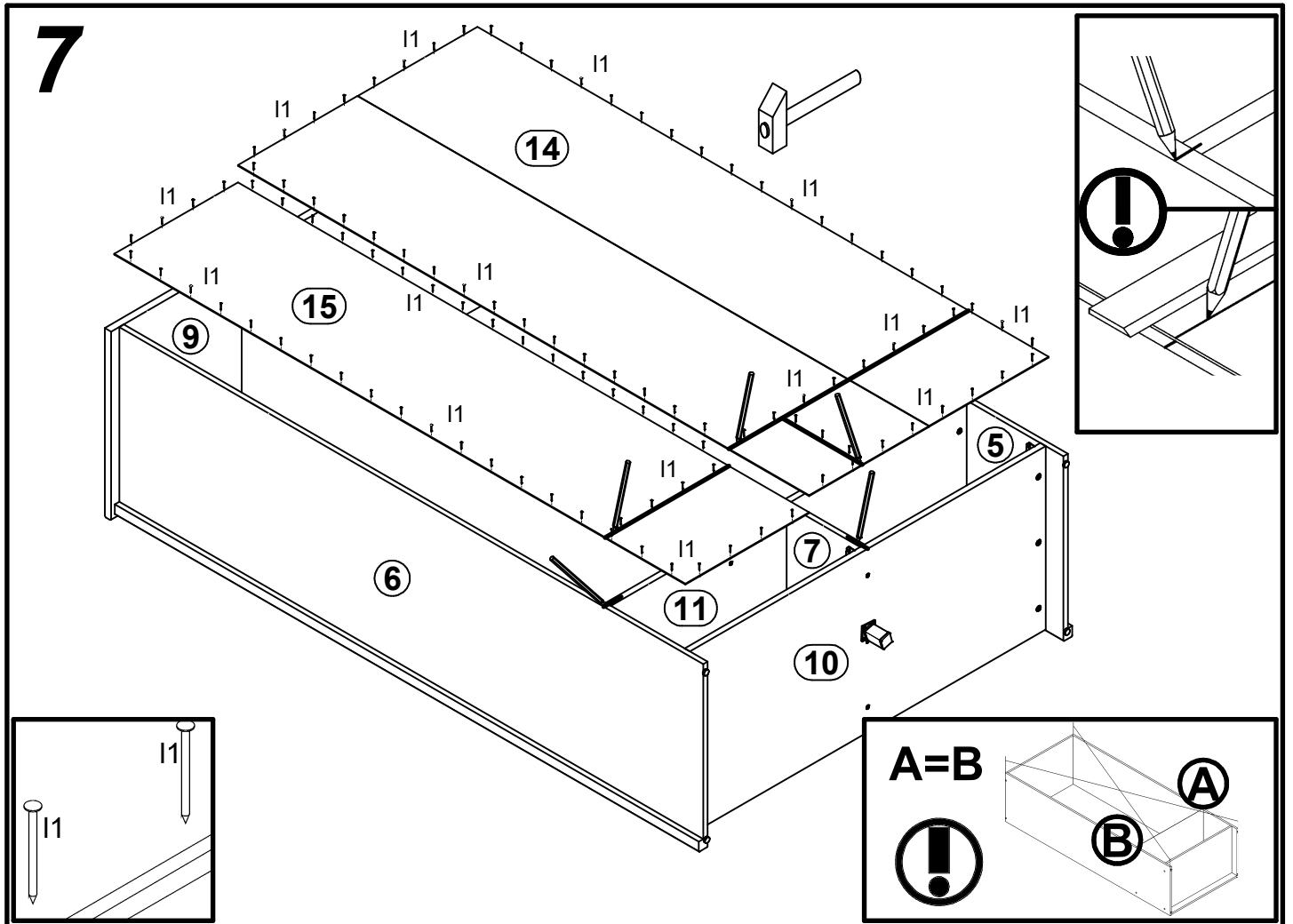


5

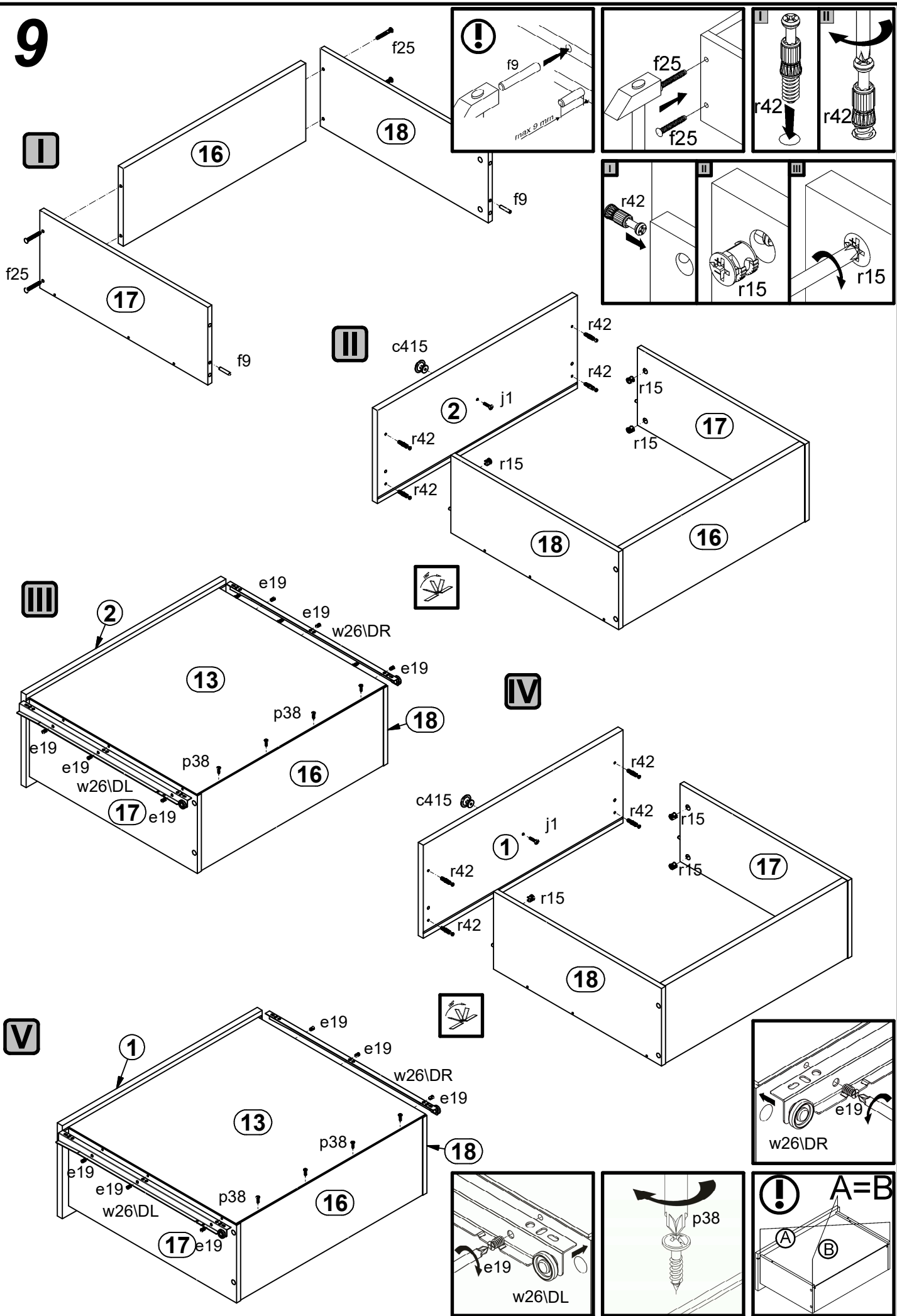


6





9



10

