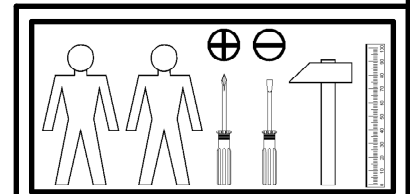
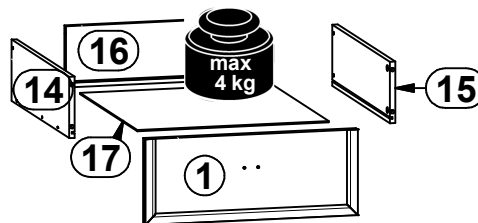
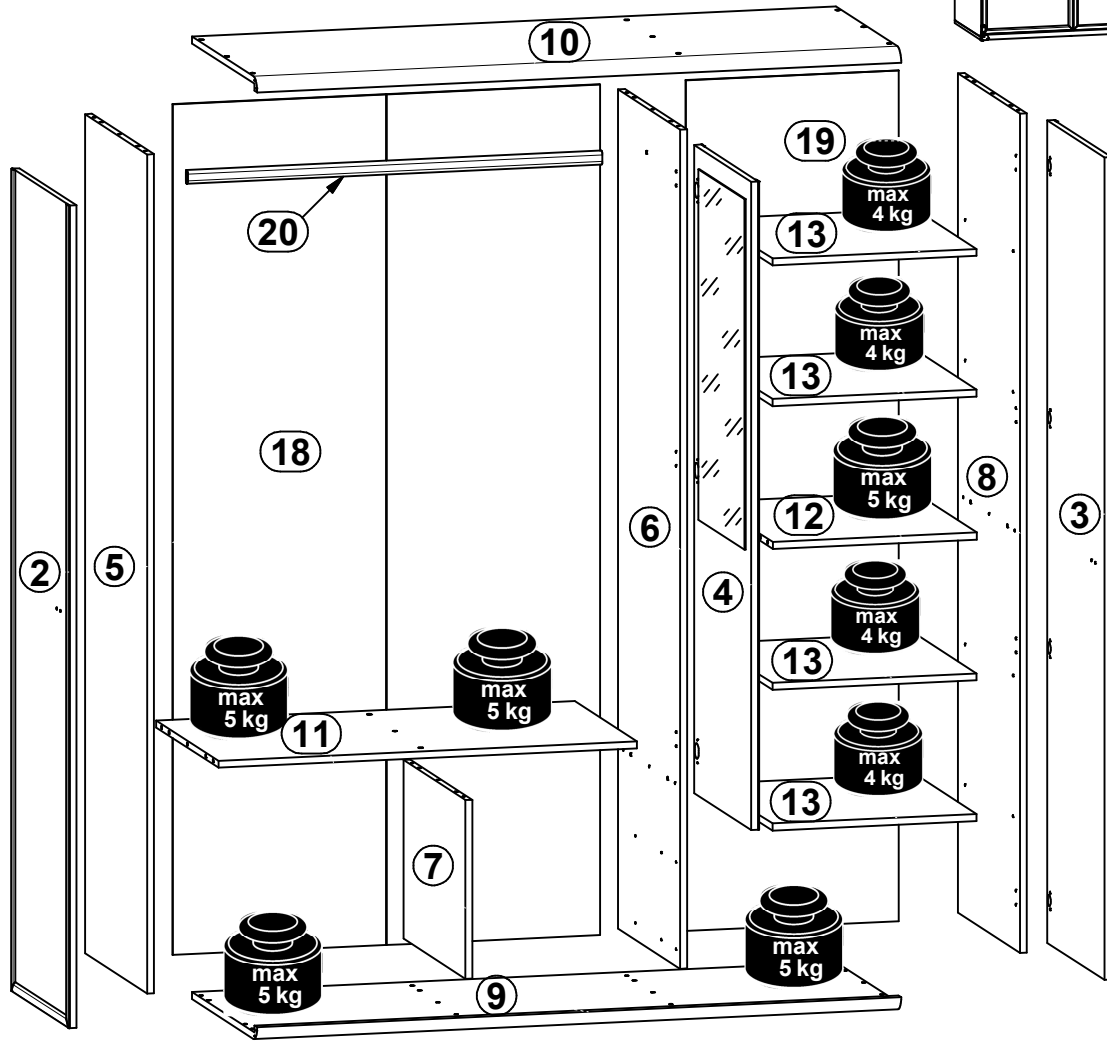
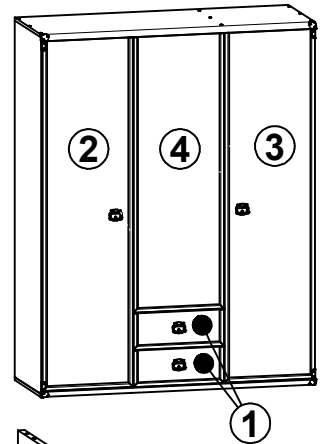
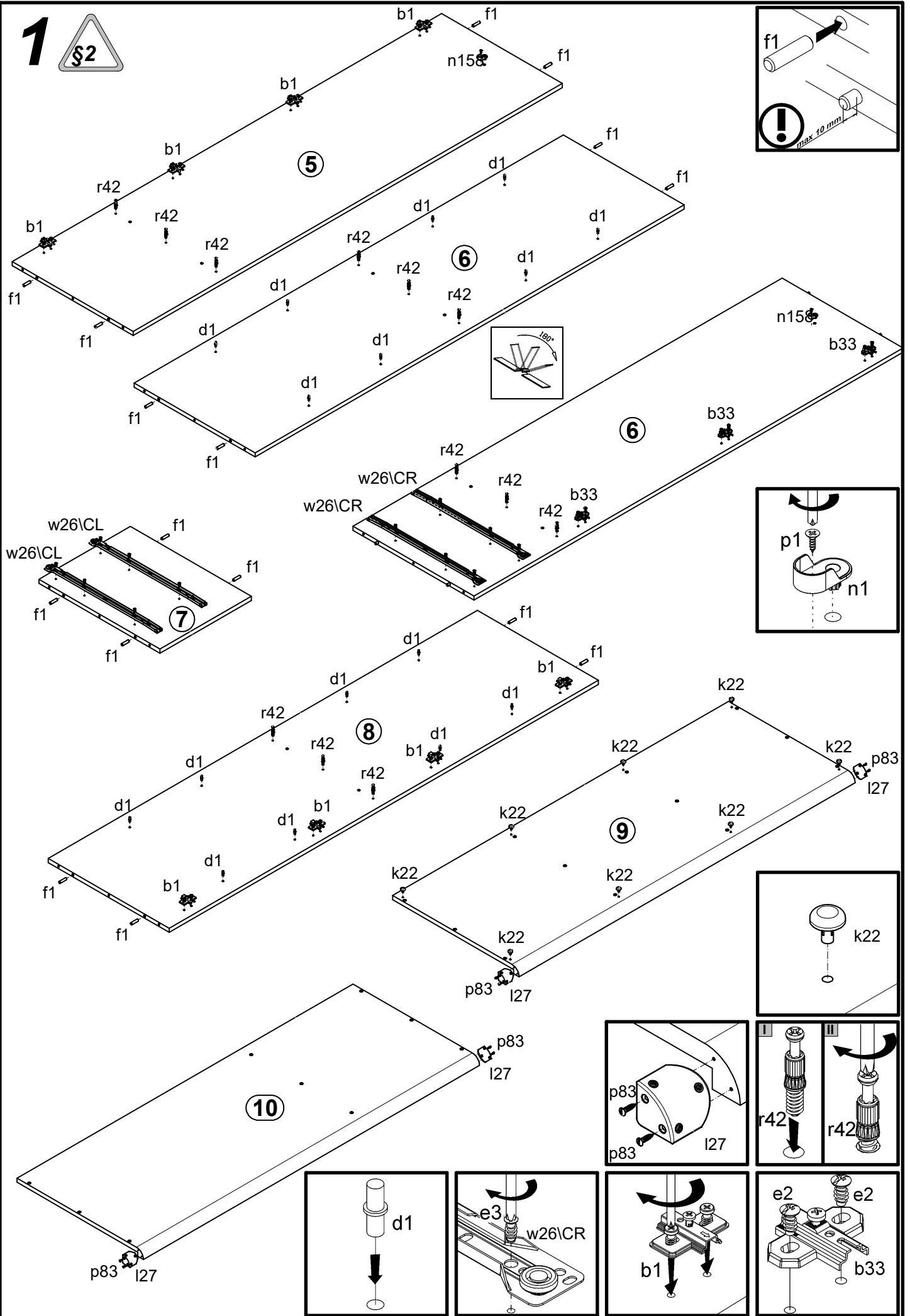


A	B	C	D	A	B	C	D
1	S31-018	496	196	4/6	11	S31-313	975 540 1/6
2	S31-019	1878	496	5/6	12	S31-314	475 540 2/6
3	S31-020	1878	496	5/6	13	S31-315	475 535 2/6
4	S31-021	1480	496	6/6	14	S31-501	500 140 1/6
5	S31-121	1916	540	1/6	15	S31-502	500 140 1/6
6	S31-122	1916	540	1/6	16	S31-511	435 140 1/6
7	S31-123	408	540	2/6	17	S31-915	446 498 1/6
8	S31-124	1916	540	1/6	18	S31-916	1942 995 1/6
9	S31-218	1500	565	3/6	19	S31-917	1942 496 1/6
10	S31-219	1500	565	3/6	20	dr-969	969 30 1/6

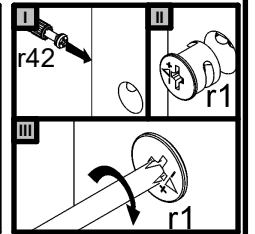
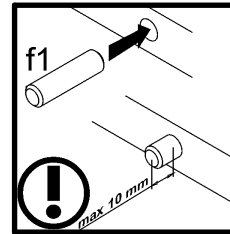
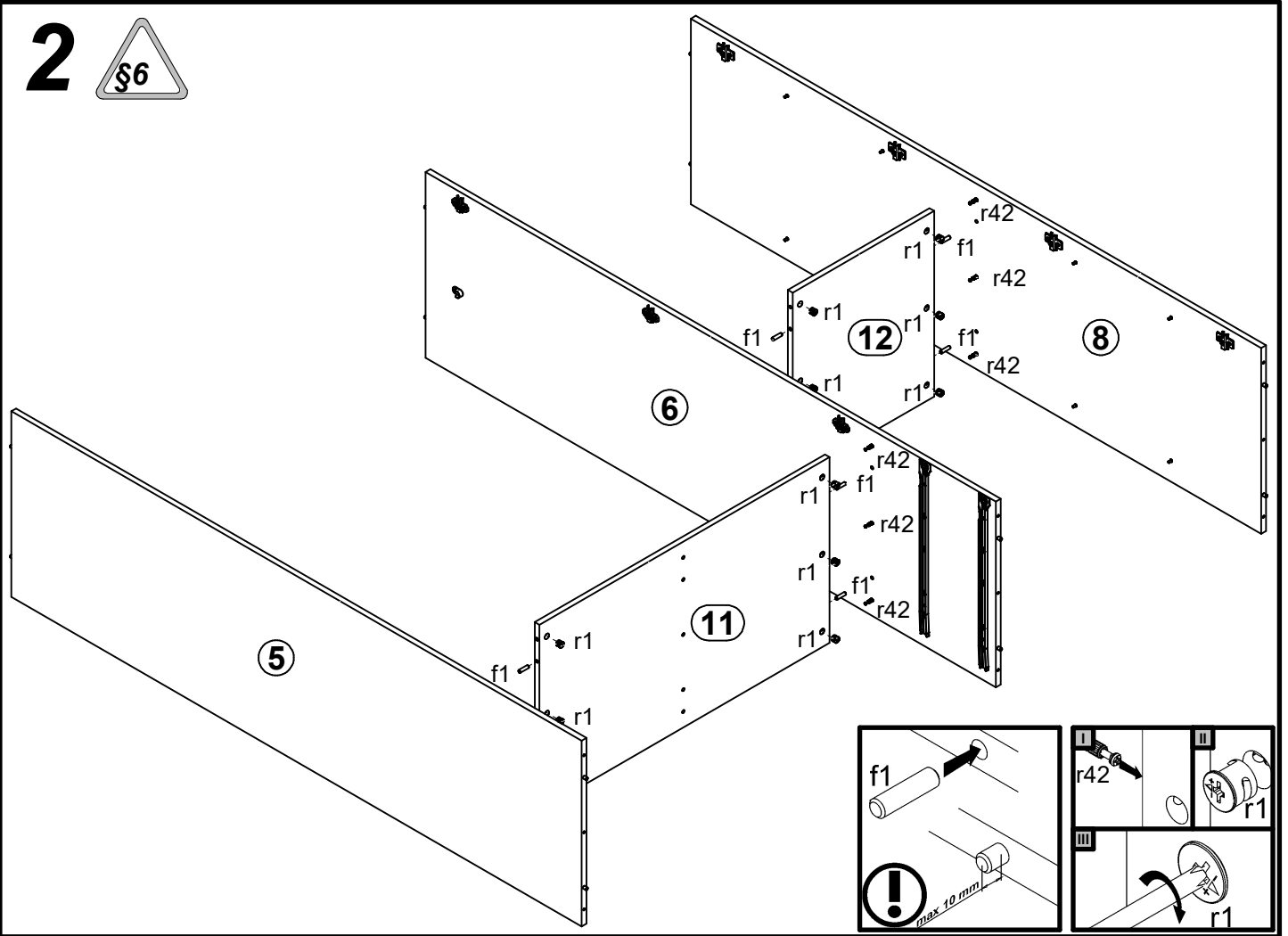


8x a2	3x a39	8x b1	3x b33	4x c158	16x d1	24x e1	6x e2	12x e19
12x e3	24x f1	8x f25	8x j30	8x k22	130x l1	4x l27	2x l28/L	2x l28/P
2x n158	1x n26\1	2x p1	1x p38	6x p51	16x p83	12x r1	8x r15	20x r42
3x s1	2x w26\CL	2x w26\CR	2x w26\DL	2x w26\DR	1x z1			

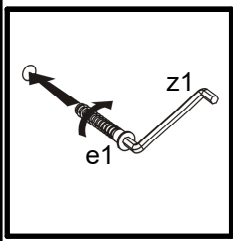
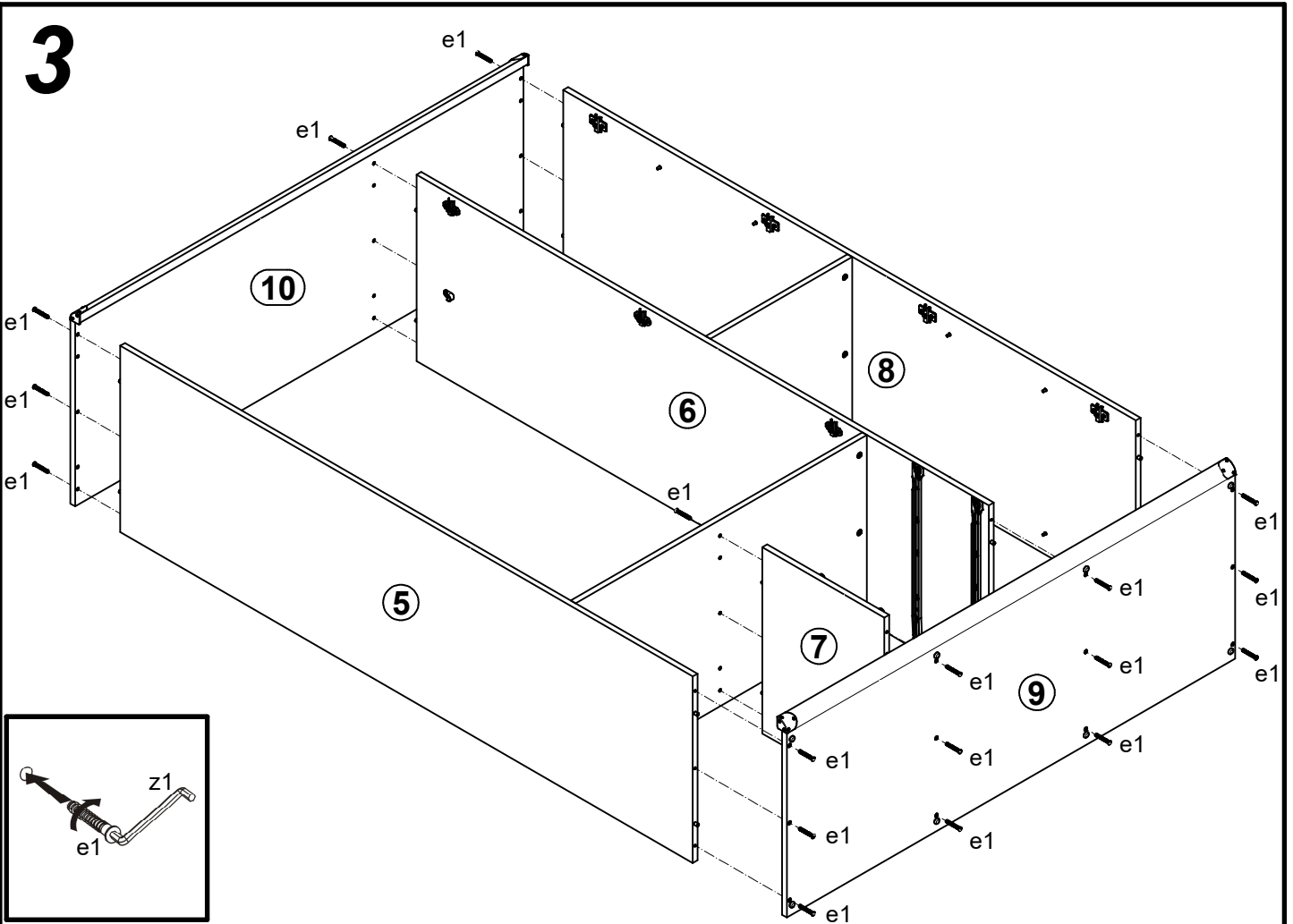
1 §2

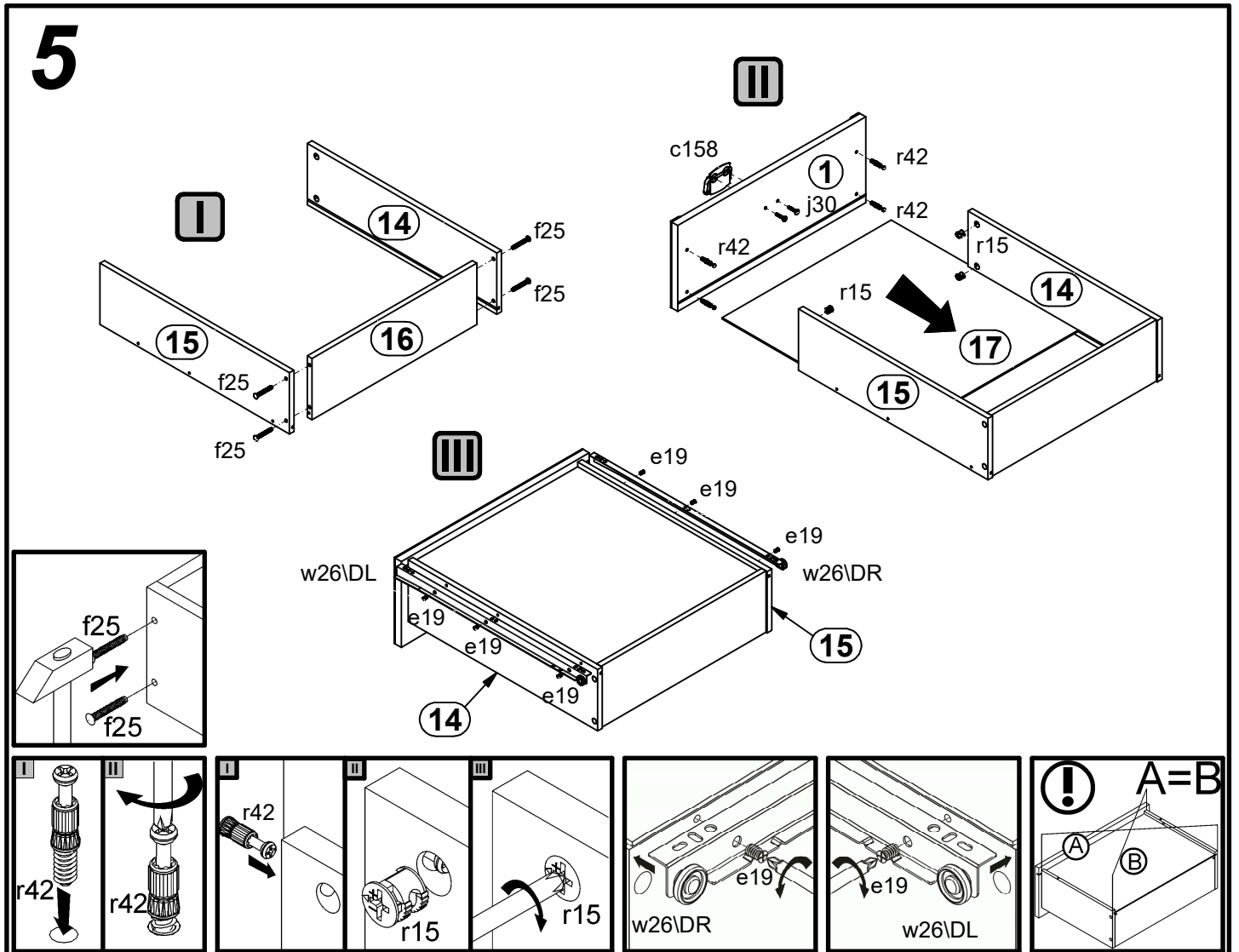
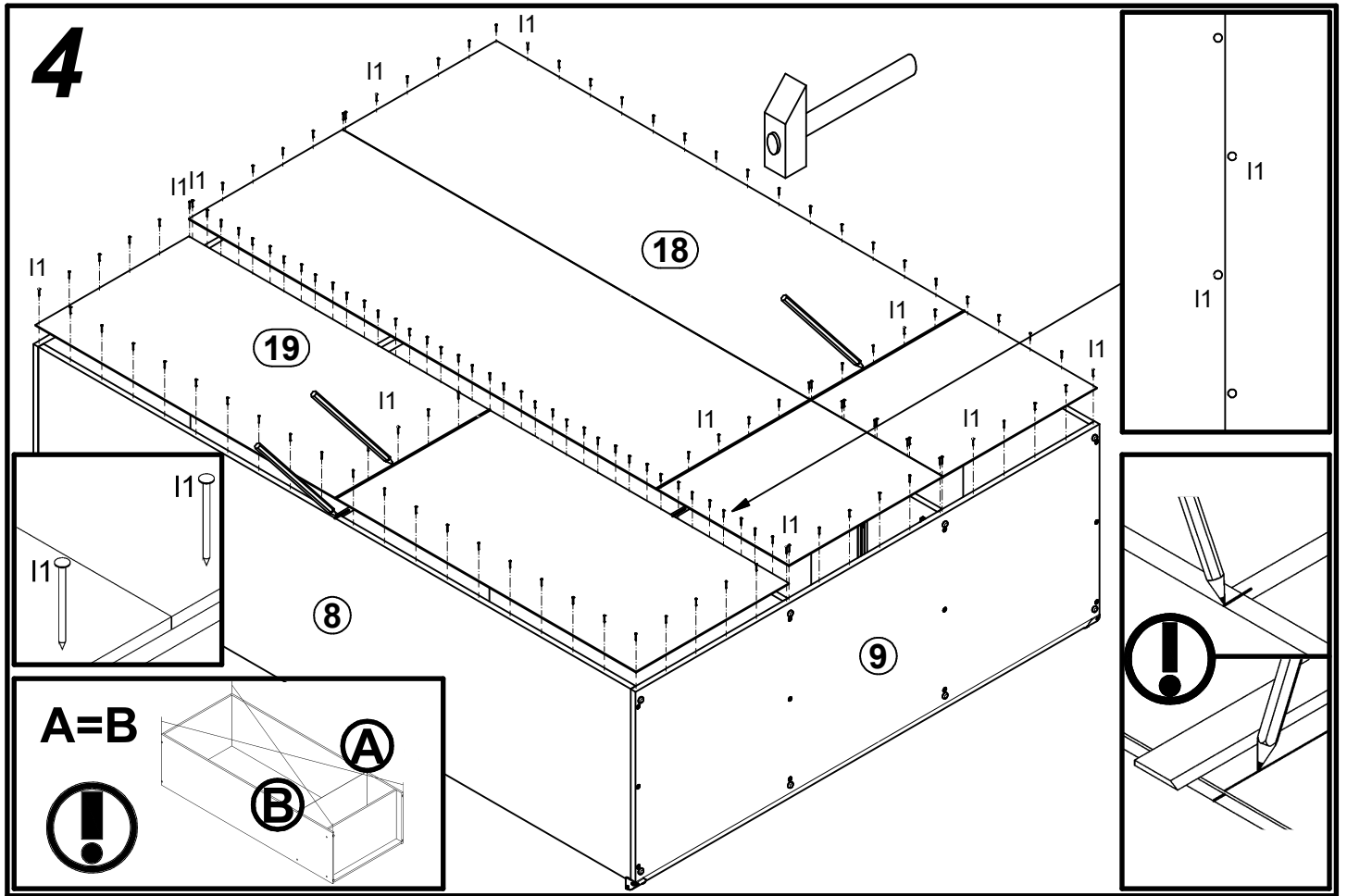


# 2

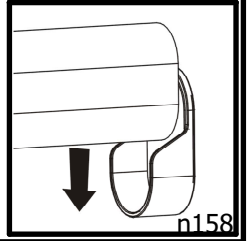
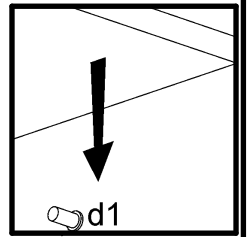
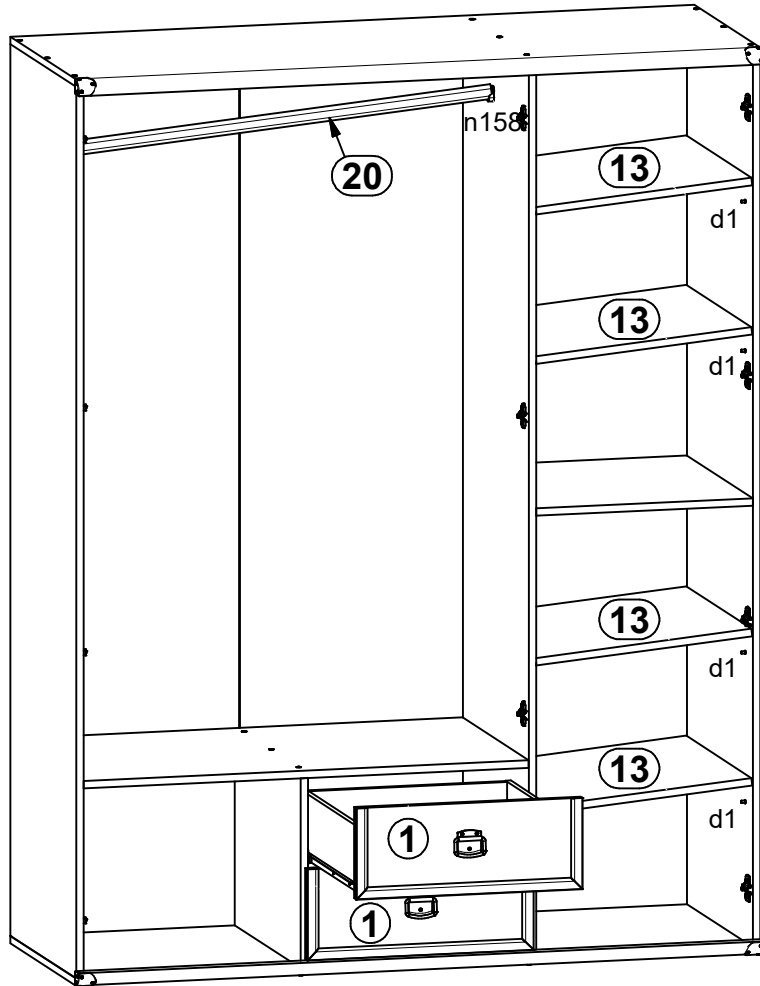


# 3

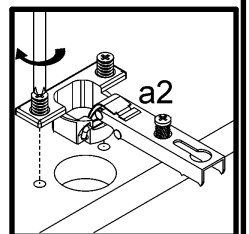
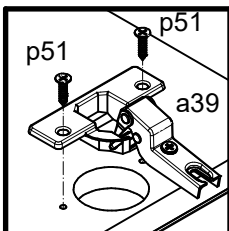
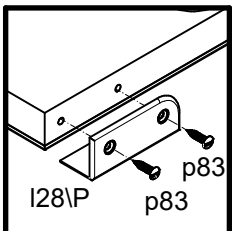
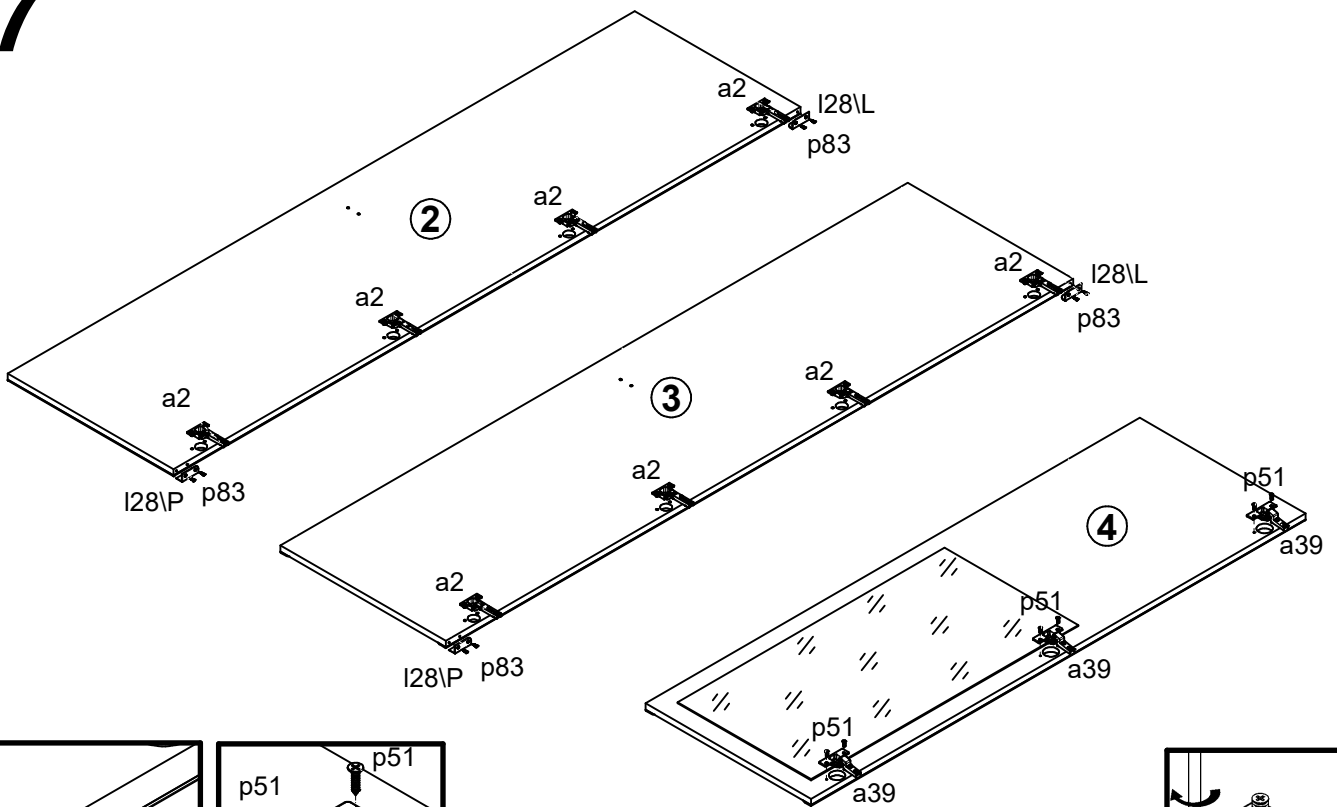




# 6



# 7



# 8

