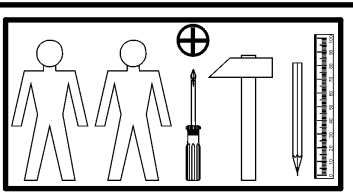
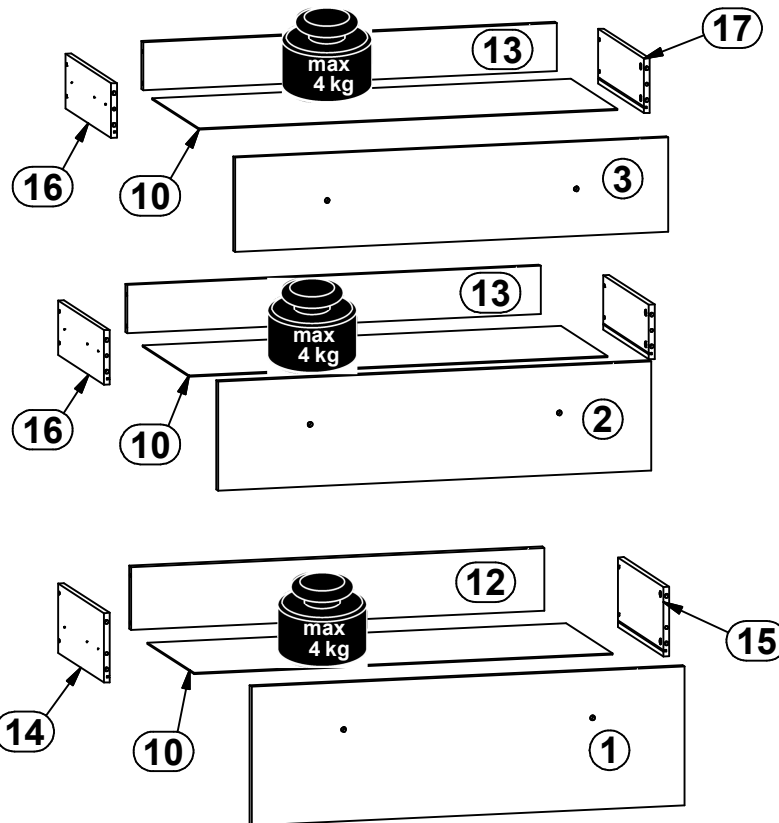
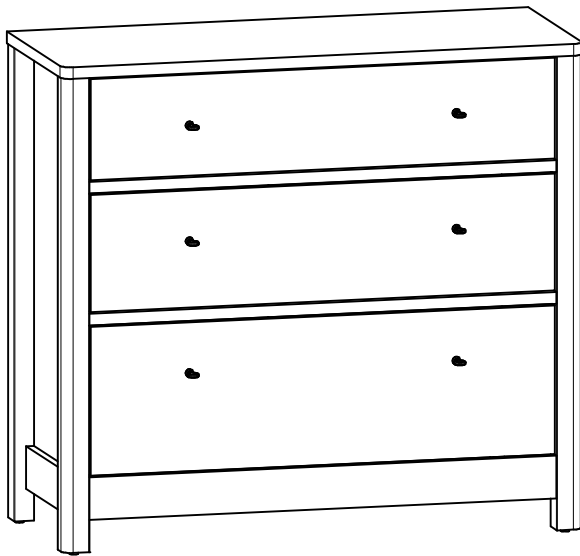
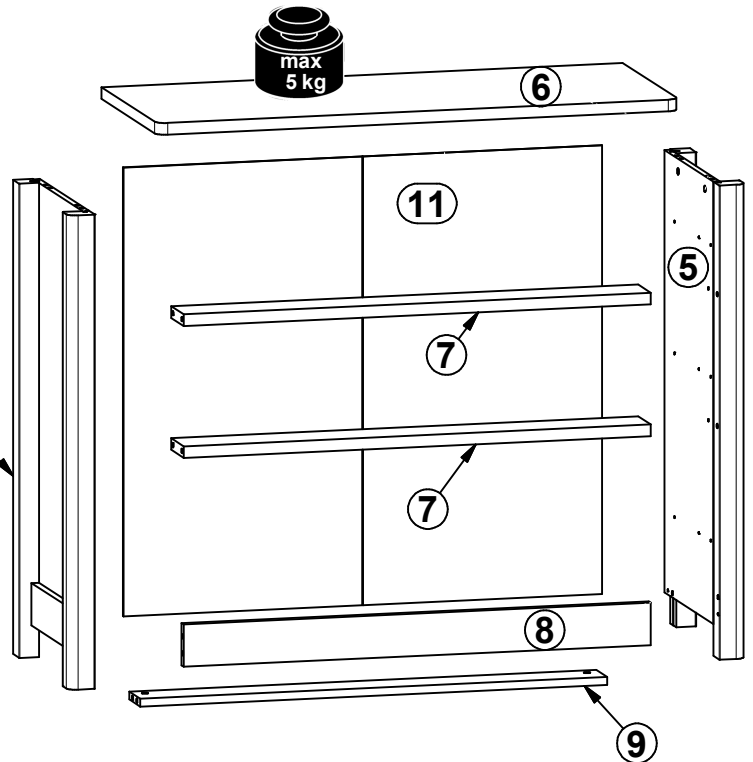
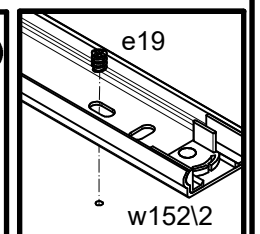
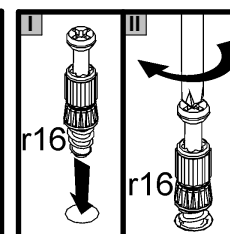
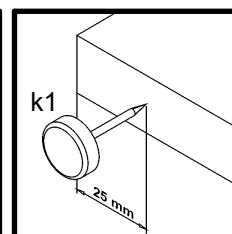
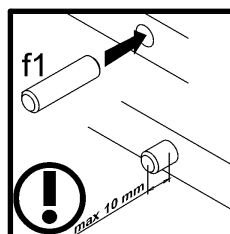
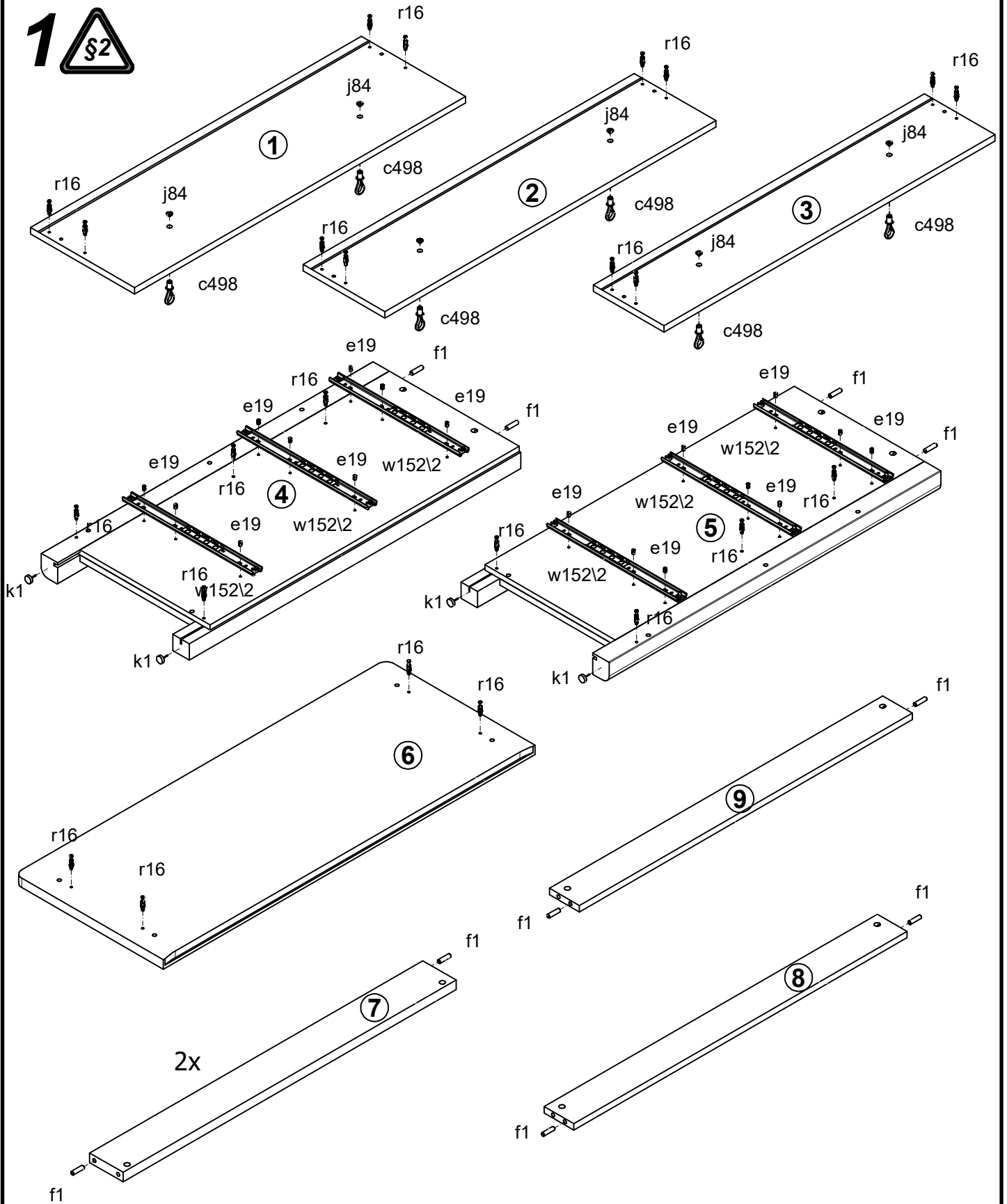


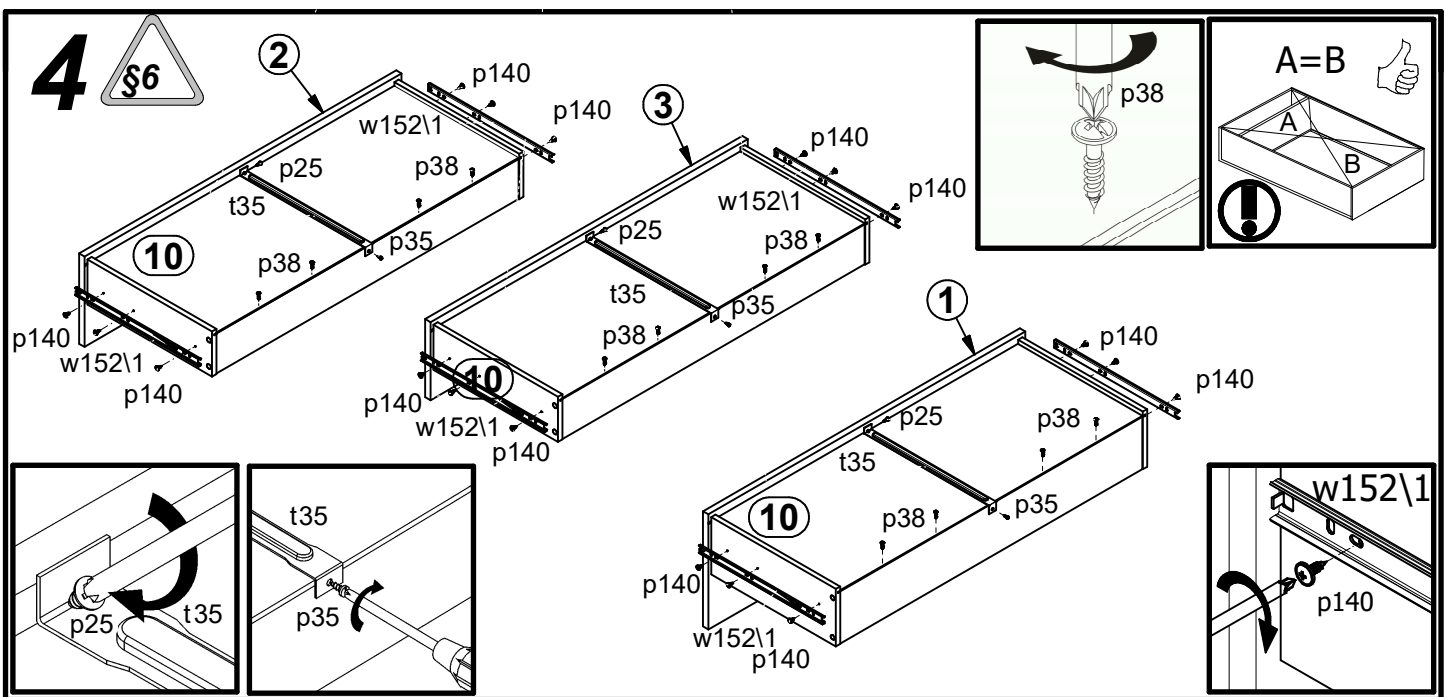
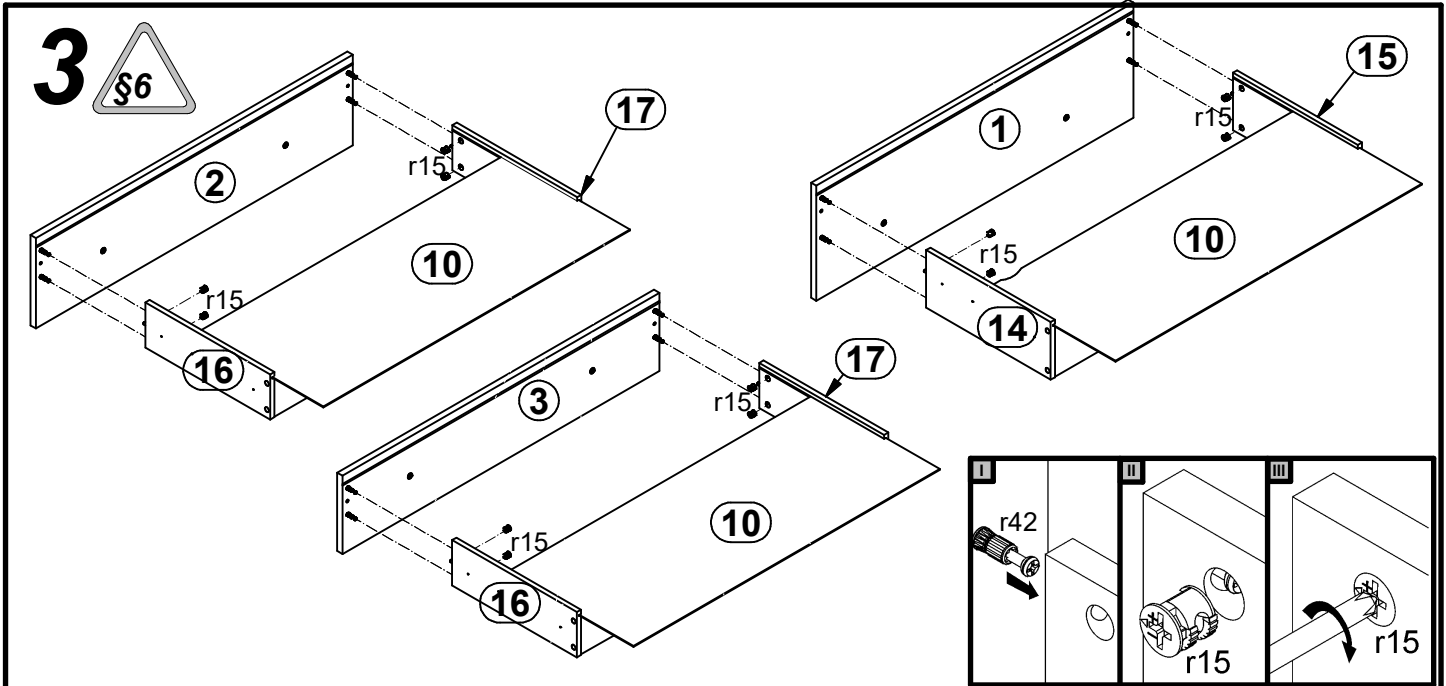
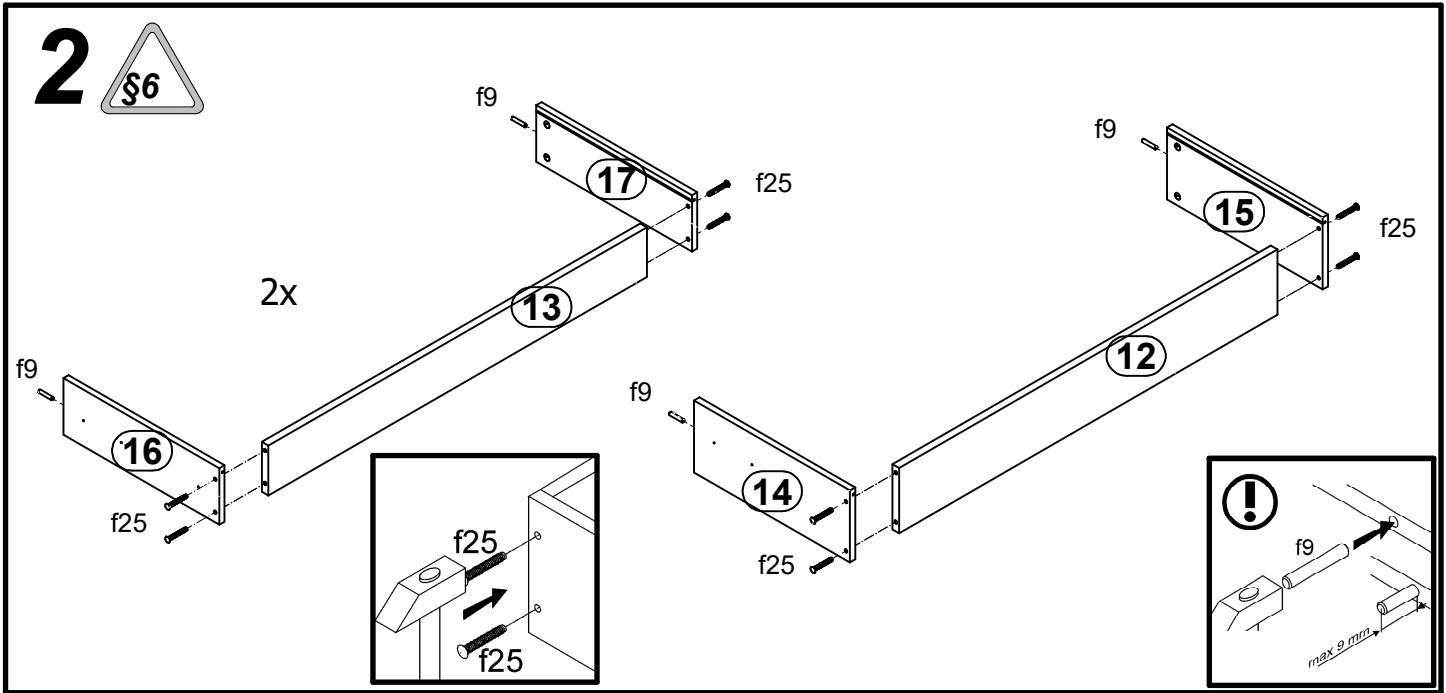
A	B	C	D
1	S401-0002	890	280 2/2
2	S401-0003	890	220 2/2
3	S401-0004	890	190 2/2
4	S401-1001	892	398 1/2
5	S401-1002	892	398 1/2
6	S401-2002	1000	400 1/2
7	S401-4002	896	90 1/2
8	S401-4003	896	80 1/2
9	S401-4005	896	80 1/2
10	S401-9002	860	357 1/2
11	S401-9301	844	918 1/2
12	ZK3-5002	850	127 1/2
13	ZK3-5004	850	97 1/2
14	ZK3-511	350	140 1/2
15	ZK3-512	350	140 1/2
16	ZK3-519	350	110 1/2
17	ZK3-520	350	110 1/2



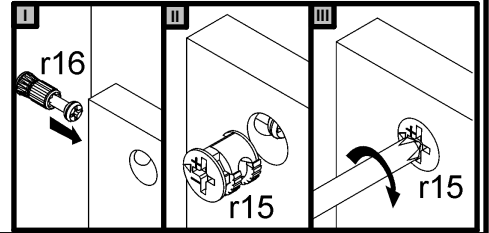
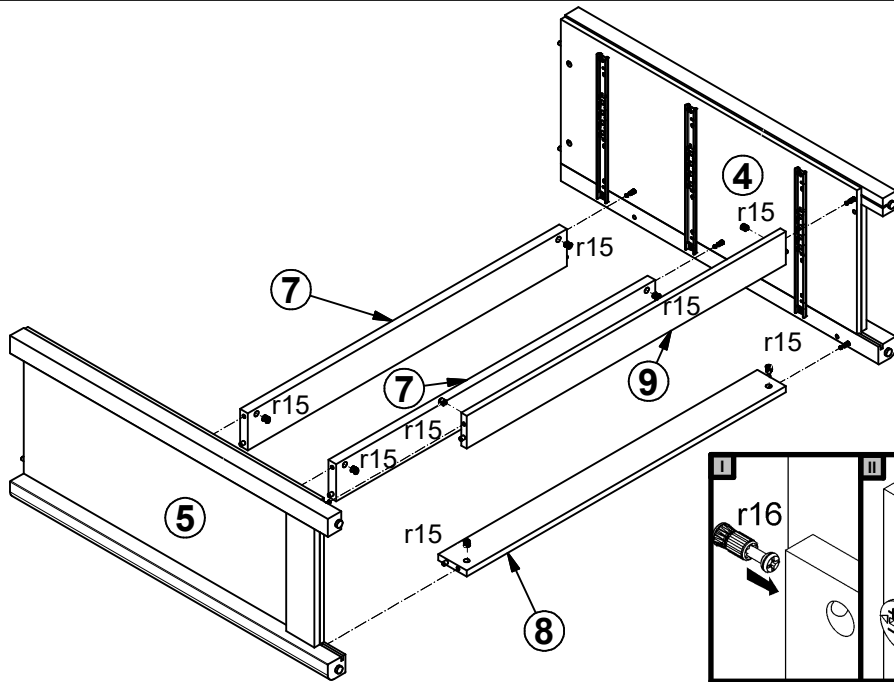
6x c498	18x e19 Ø5x9 mm	12x f1 Ø8x30 mm	12x f25 Ø6.5x40 mm	6x f9 Ø6x30 mm	6x j84 M4x5 mm	4x k1	35x l1 1.4x20 mm	18x p140 Ø3.5x12 mm
3x p25 Ø3.5x16 mm	3x p35 Ø3.5x10 mm	13x p38 Ø3.5x16 mm	24x r15 Ø12x10.5 mm #12	24x r16 20/9	3x t35 350 mm	6x w152/1 350/580 mm	6x w152/2 350/580 mm	1x n26

1 

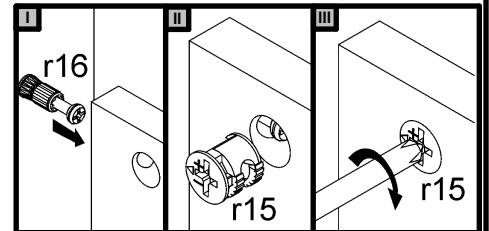
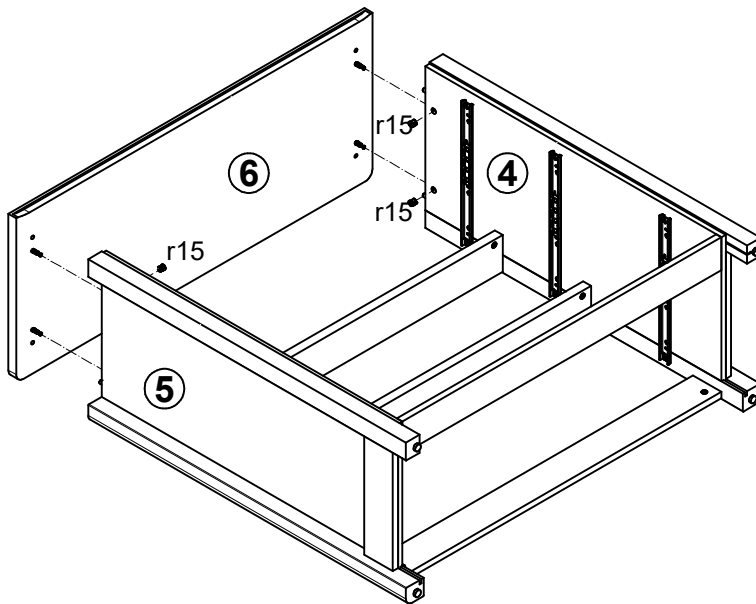




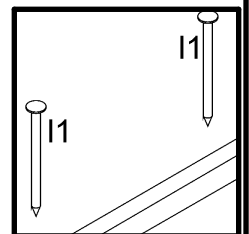
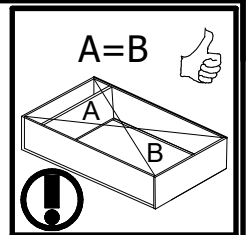
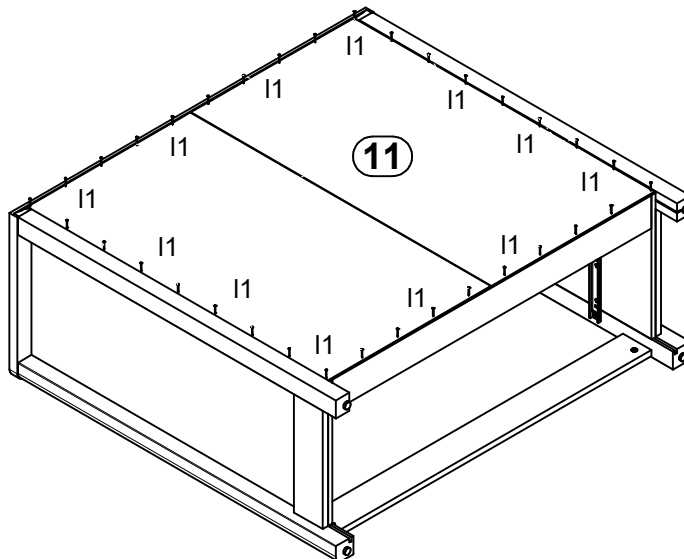
5



6



7



8

