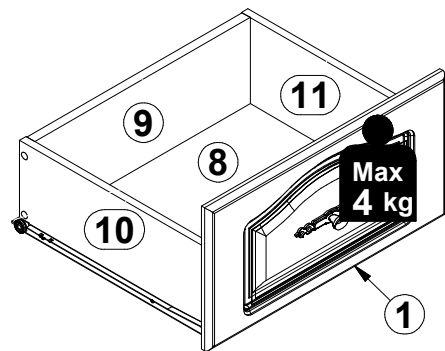
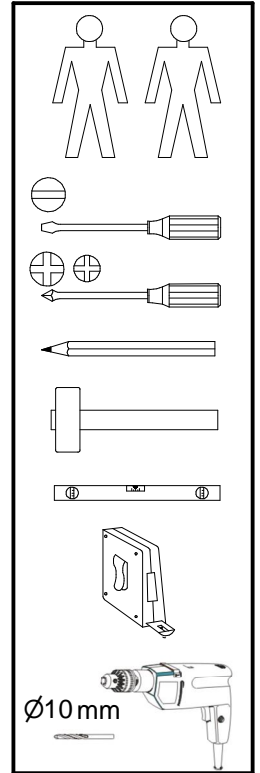


A	B	C1	C2	C3	D
1	S41-0013	232	446	16	3/5
2	S41-1001	945	379,	15	1/5
3	S41-1002	945	379,	15	1/5
4	S41-2010	584	436	38	2/5
5	S41-2011	584	436	38	2/5
6	S41-5001	945	47	32	4/5
7	S41-9306	987	505,	2,5	1/5
8	WSP-9303	425	358	2,5	1/5
9	ZS7-5046	403	140	15	1/5
10	ZS7-513	350	140	12	1/5
11	ZS7-514	350	140	12	1/5



4x c69	24x e16 φ6x30 mm	16x e19 φ5x9 mm	8x f1 φ8x30 mm	6x f11 4x18/4 mm	8x f9 Ø6x30 mm	16x f25 φ6,5x40 mm	4x f27 φ10x40 mm	4x j8 M4x25 mm
4x k47 φ110x58/62 mm	50x l1	8x r1 φ15x12mm #16	16x r15 φ12x10,5mm #12	24x r42 20/11	24x w36 h=18 mm	4x w45-CL 3,50 mm	4x w45-CR 3,50 mm	4x w45-DL 3,50 mm
4x w45-DR 3,50 mm	1x y1/1 GLUE	1x z1						
					1x p17 Ø5x60 mm	1x n14/2 86x21x51,5	1x f35 Ø10x50 mm	2x p38 Ø3,5x16 mm

