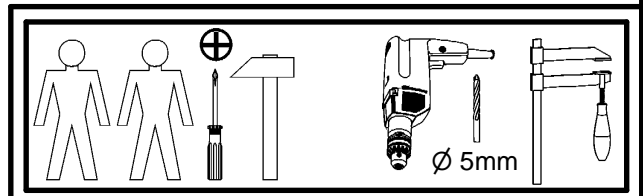
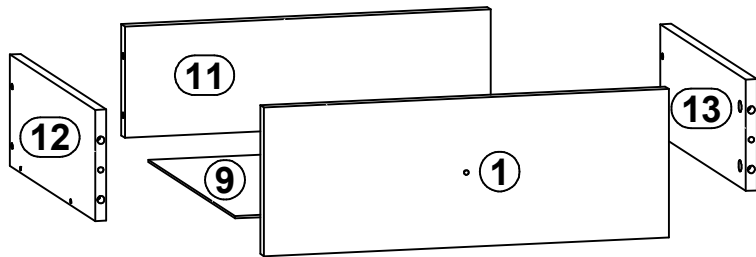
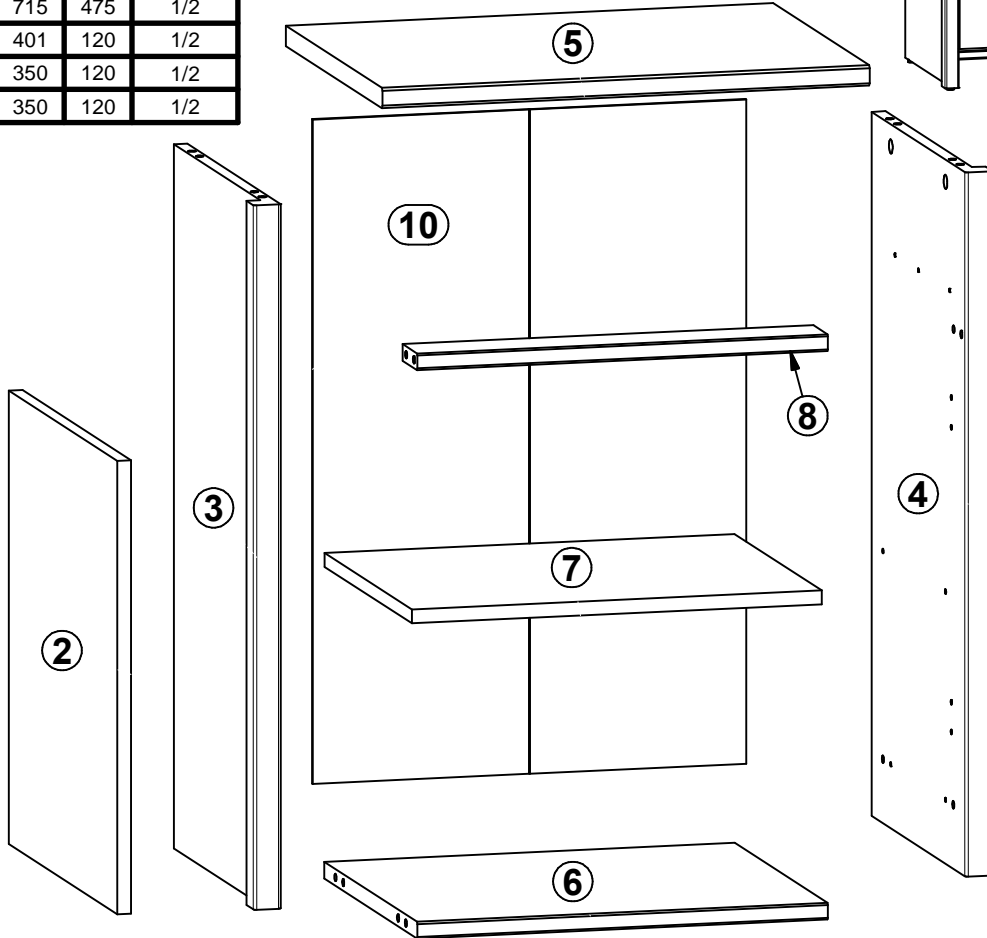
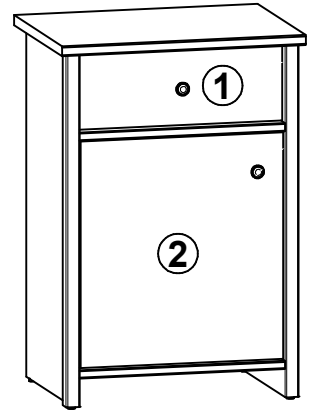
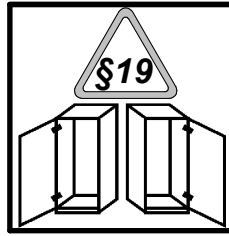
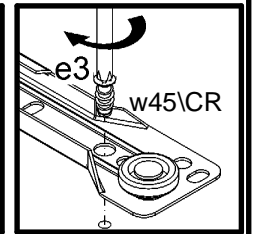
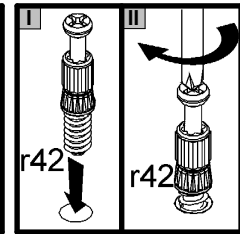
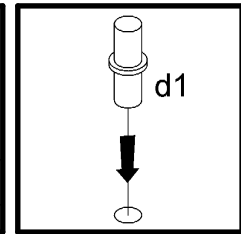
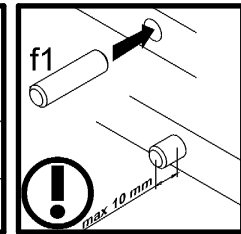
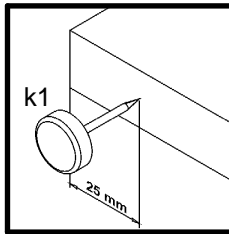
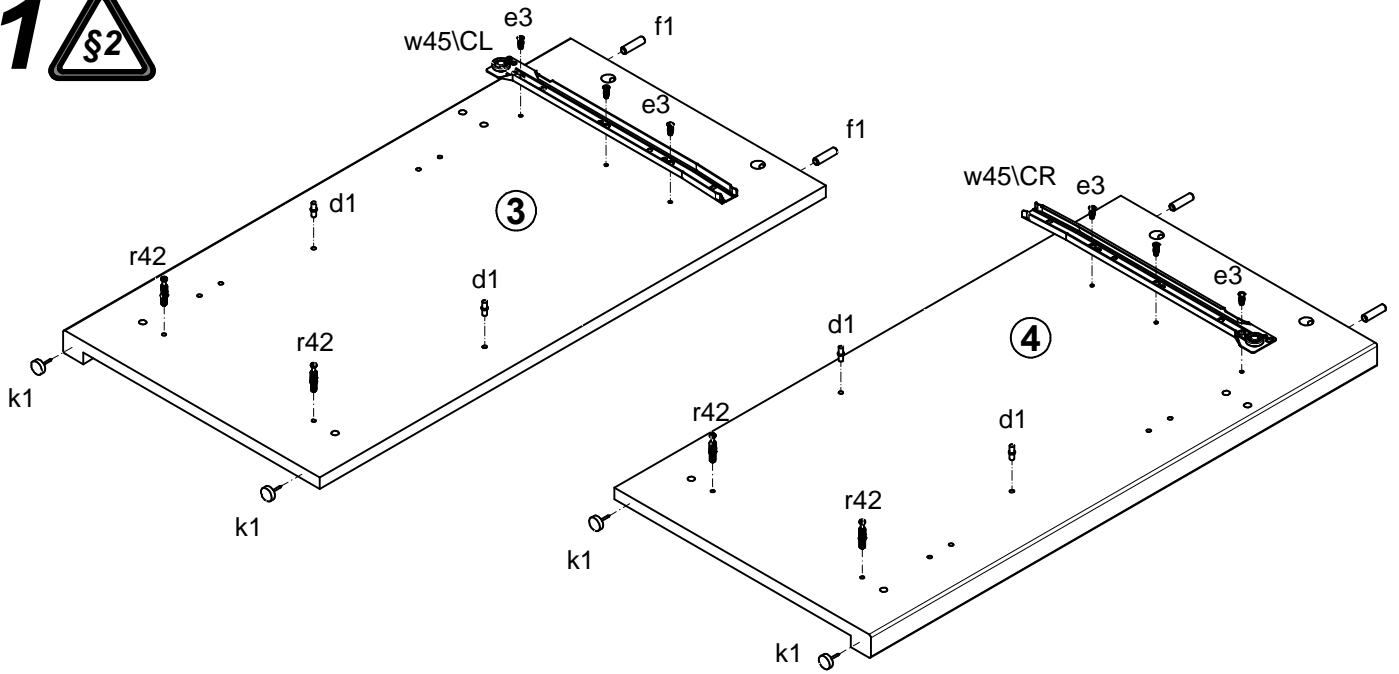


A	B	C	D	
1	S322-022	444	160	2/2
2	S322-023	488	444	2/2
3	S322-131	758	384	1/2
4	S322-132	758	384	1/2
5	S322-210	534	395	1/2
6	S322-316	450	381	1/2
7	S322-317	449	357	1/2
8	S322-413	450	60	1/2
9	S322-926	423	355	1/2
10	S322-930	715	475	1/2
11	ZS3-5575	401	120	1/2
12	ZS4-501	350	120	1/2
13	ZS4-502	350	120	1/2

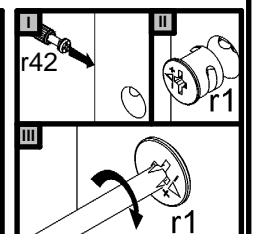
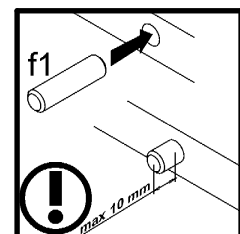
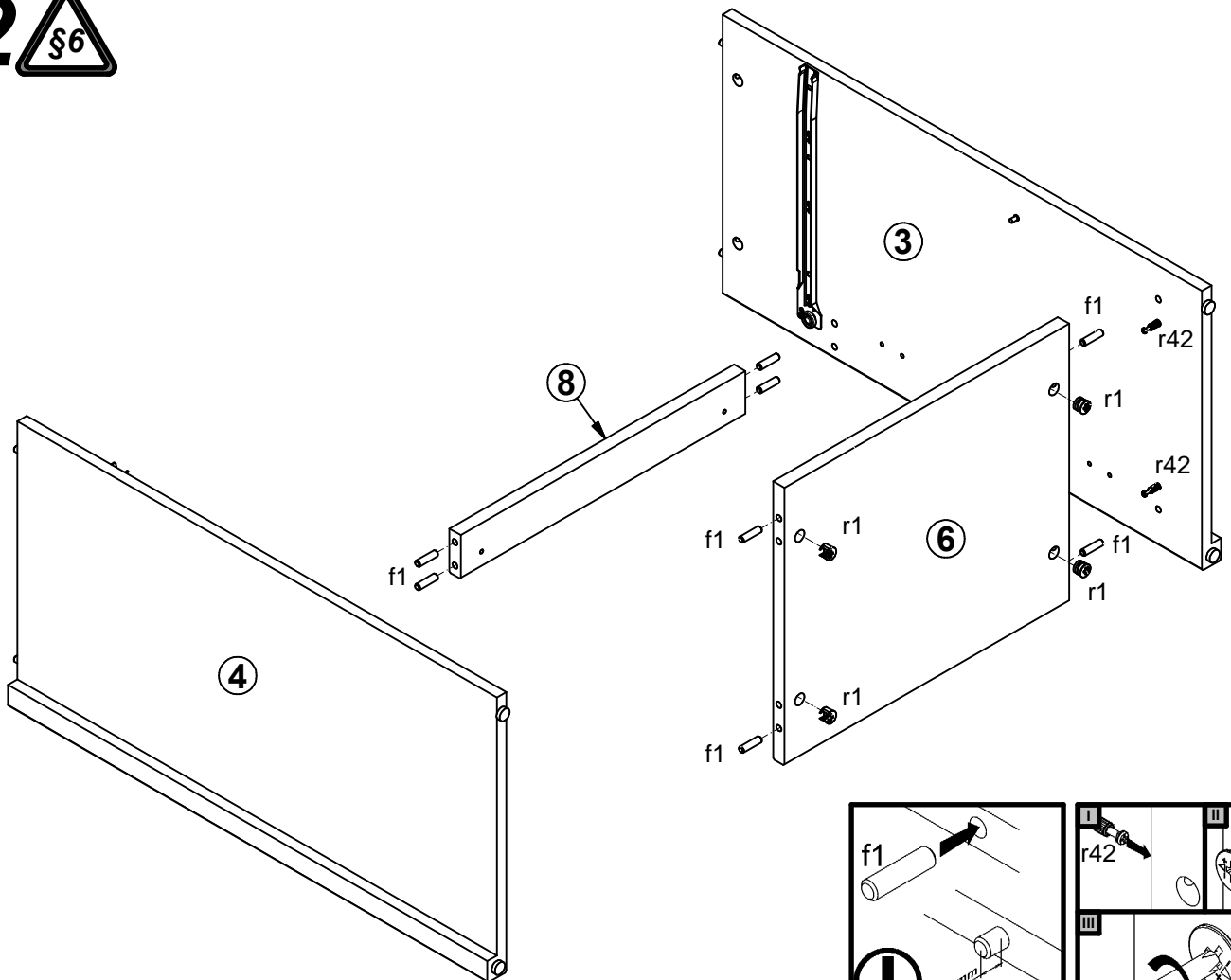


2x K16 a43	2x DS b19	2x M4 c415	4x Ø5x17 mm d1	1x Ø6,3x15 mm d4	6x Ø6x13 mm e3	4x Ø5x9 mm e19	12x Ø8x30 mm f1	2x Ø6x30 mm f9
4x Ø6,5x40 mm f25	2x M4x20 mm j1	4x k1	25x l1	1x n26	4x Ø3,5x16 mm p38	4x Ø3,5x15 mm p51	8x Ø15x12 mm #16 r1	4x Ø12x10,5 mm #12 r15
12x 20/11 r42	2x Ø16 s2	1x 350 mm w45\CL	1x 350 mm w45\CR	1x 350 mm w45\DL	1x 350 mm w45\DR			

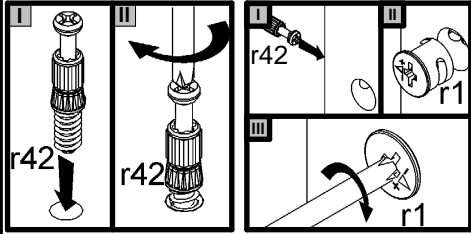
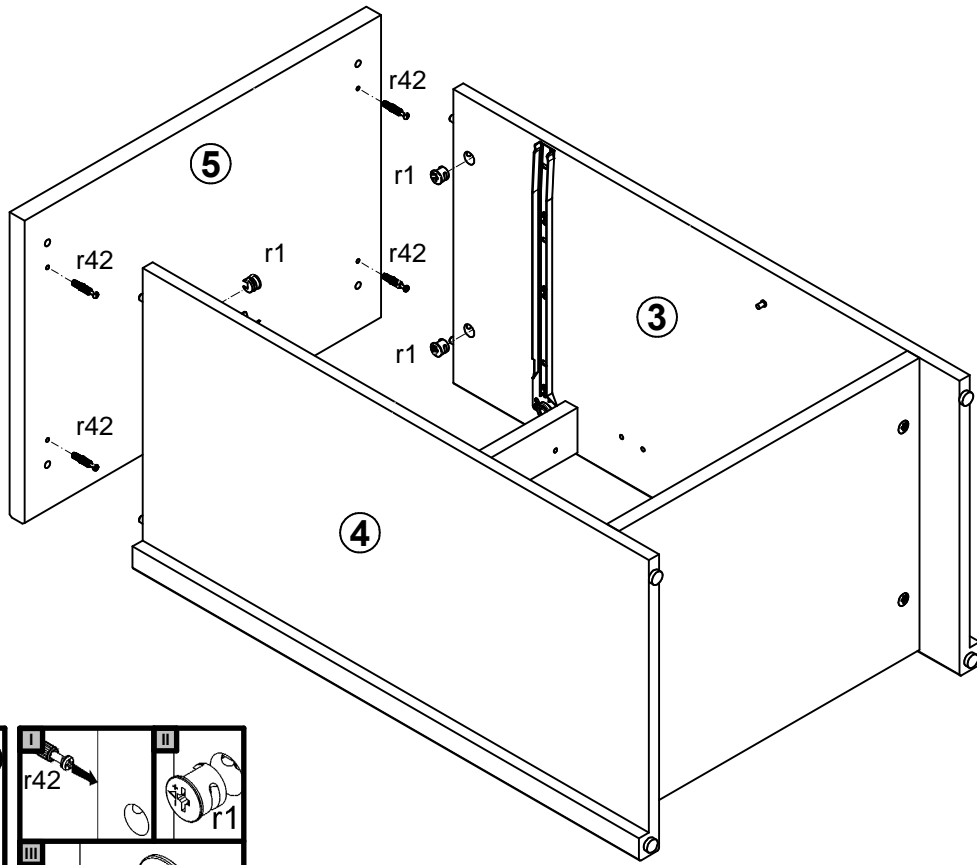
1 



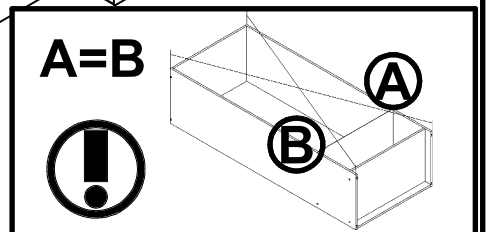
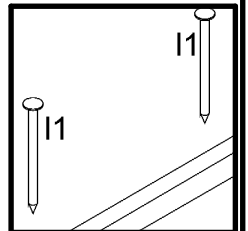
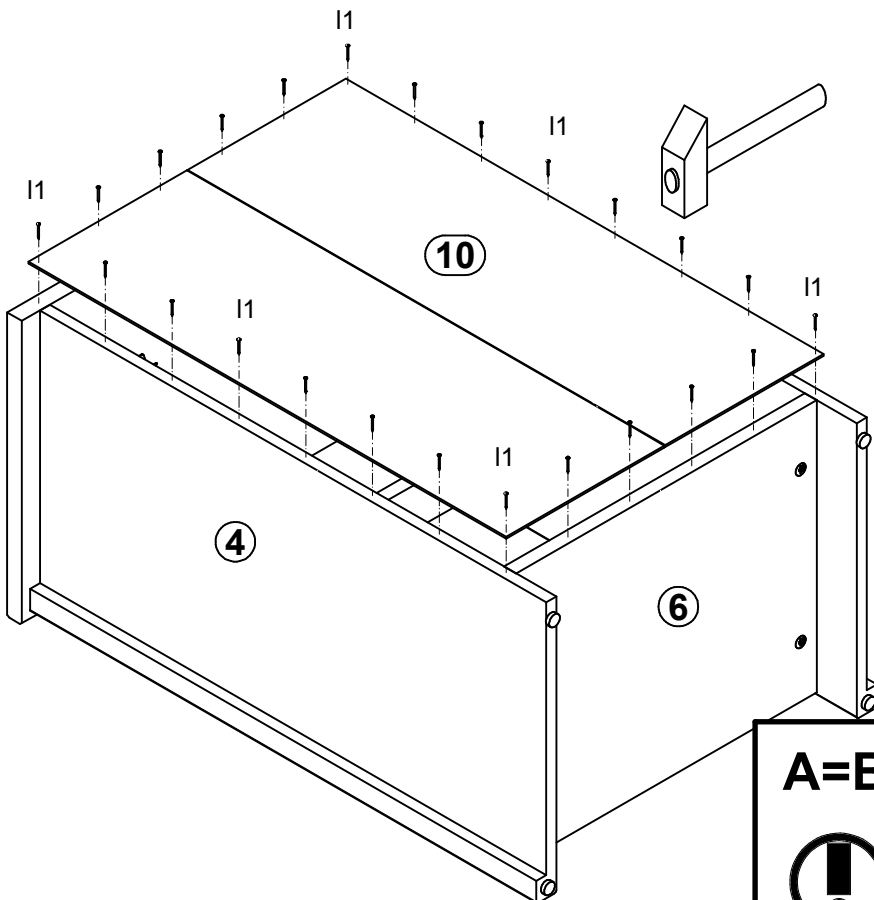
2 



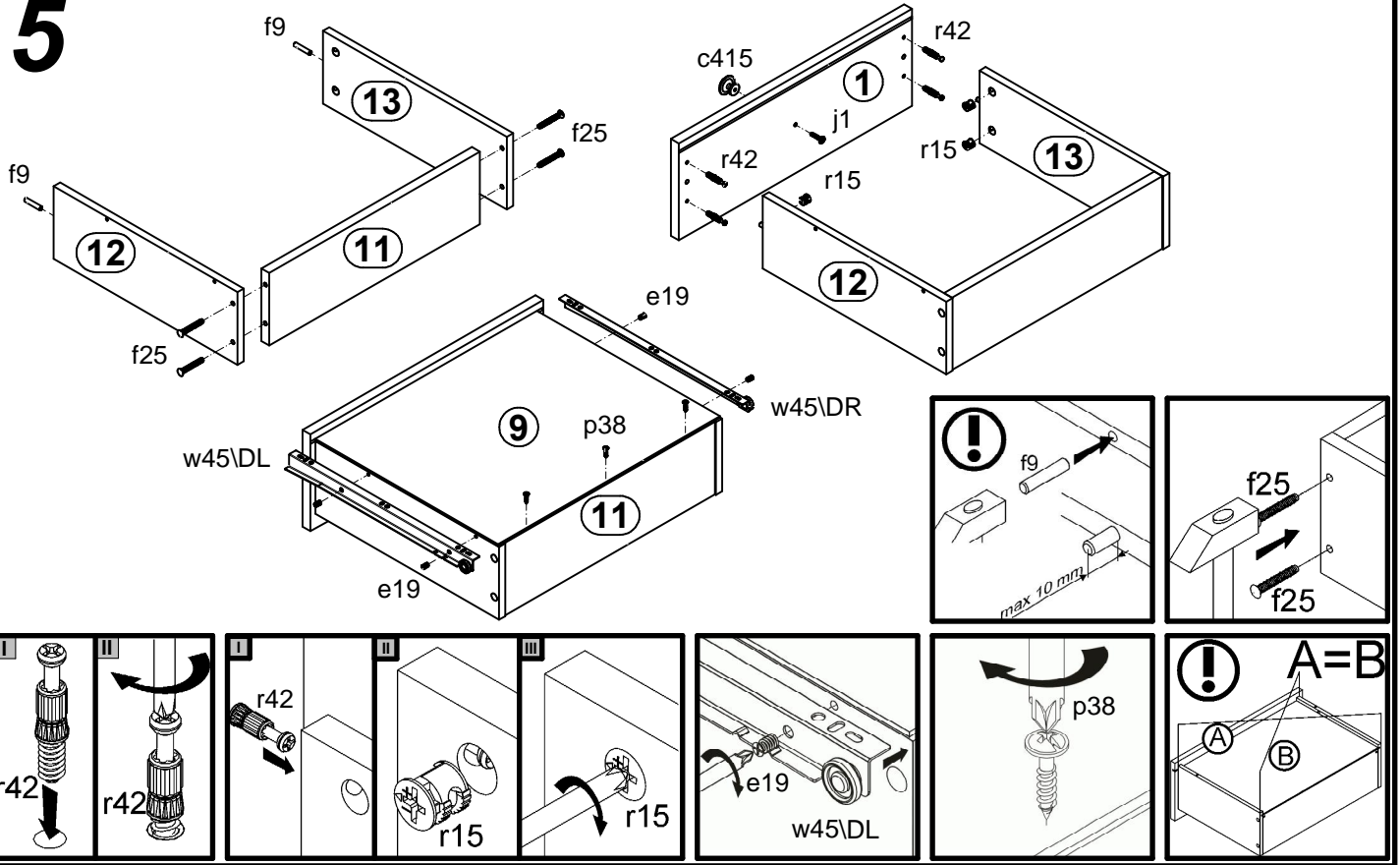
3



4



5



6

