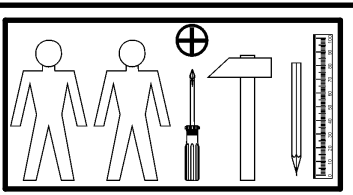
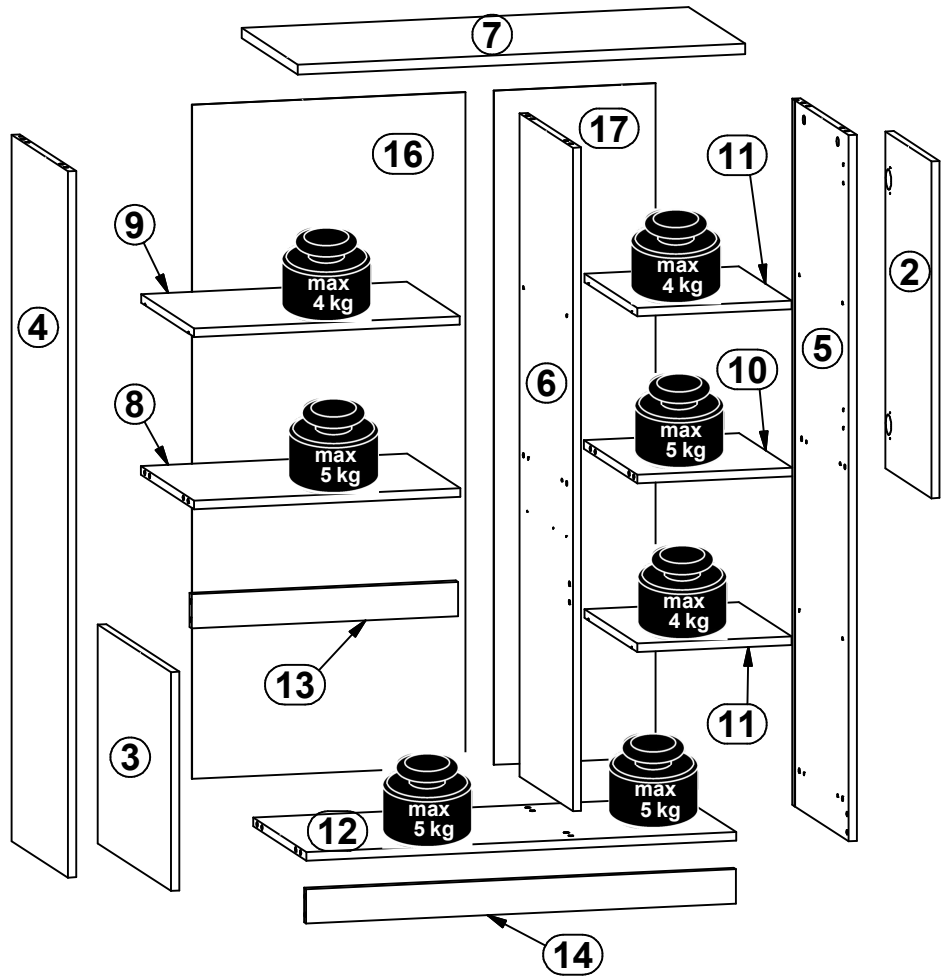
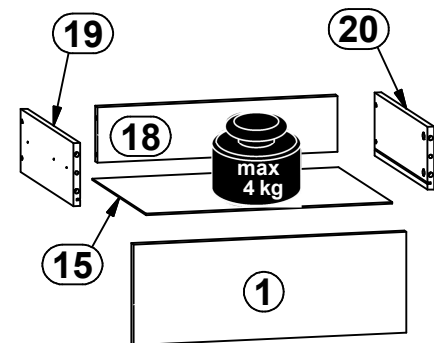
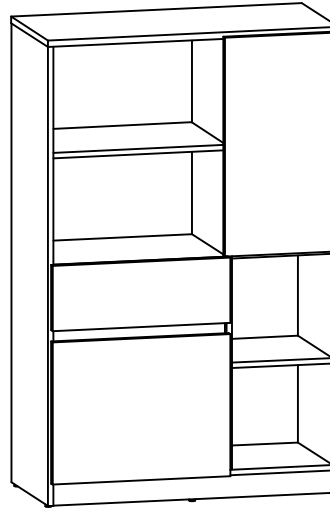
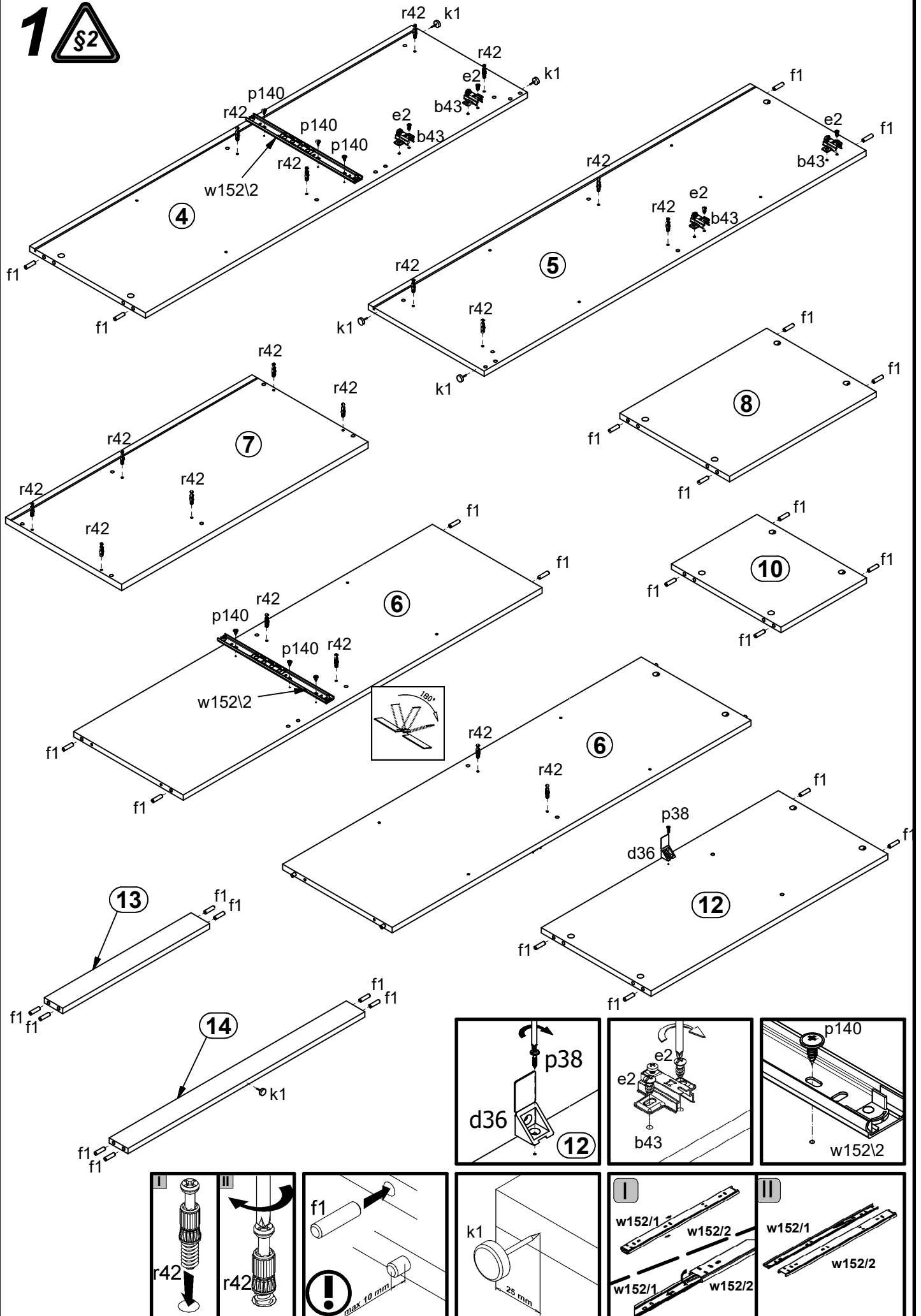


| A | B | C | D | |
|----|-----------|------|-----|-----|
| 1 | S441-0007 | 486 | 176 | 2/2 |
| 2 | S441-0008 | 588 | 306 | 2/2 |
| 3 | S441-0012 | 382 | 486 | 2/2 |
| 4 | S441-1019 | 1233 | 374 | 1/2 |
| 5 | S441-1020 | 1233 | 374 | 1/2 |
| 6 | S441-1021 | 1158 | 354 | 1/2 |
| 7 | S441-2007 | 796 | 375 | 1/2 |
| 8 | S441-3001 | 474 | 354 | 1/2 |
| 9 | S441-3002 | 473 | 352 | 1/2 |
| 10 | S441-3007 | 276 | 354 | 1/2 |
| 11 | S441-3008 | 275 | 352 | 1/2 |
| 12 | S441-3013 | 765 | 354 | 1/2 |
| 13 | S441-4003 | 474 | 60 | 1/2 |
| 14 | S441-4011 | 765 | 60 | 1/2 |
| 15 | S441-9001 | 438 | 357 | 1/2 |
| 16 | S441-9007 | 1177 | 486 | 1/2 |
| 17 | S441-9008 | 1177 | 288 | 1/2 |
| 18 | ZK3-5013 | 428 | 97 | 1/2 |
| 19 | ZK3-519 | 350 | 110 | 1/2 |
| 20 | ZK3-520 | 350 | 110 | 1/2 |

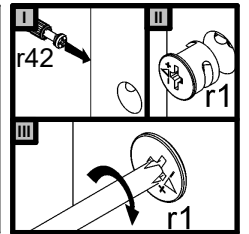
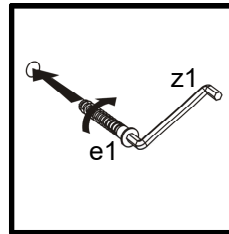
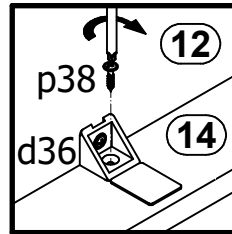
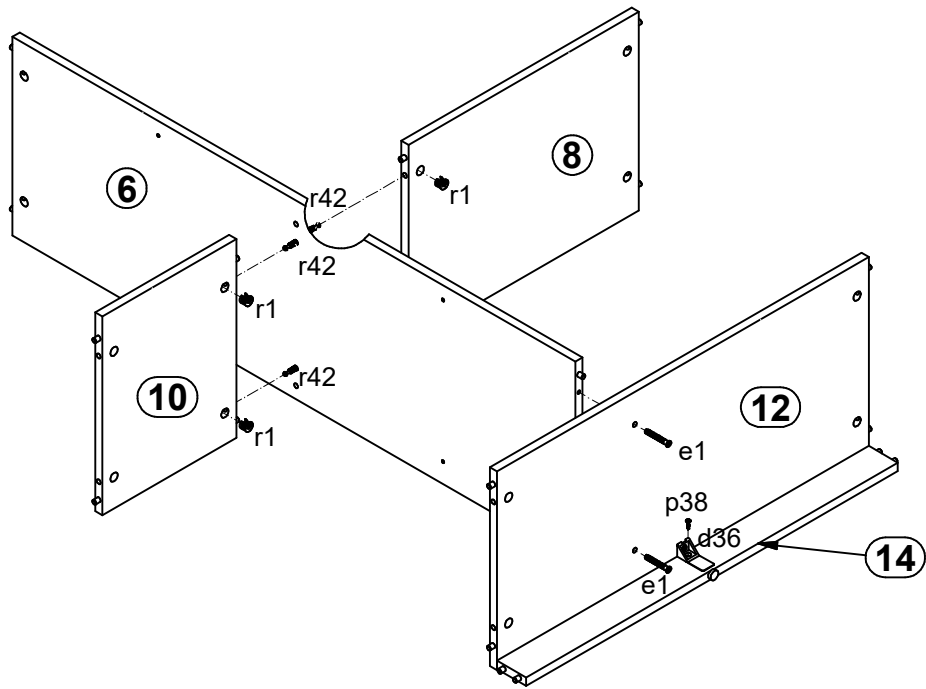


| | | | | | | | | |
|--------------------------------|----------------------------------|----------------------------|--------------------------------|----------------------------------|-------------------------------|-----------------------------|-----------------------------|-----------------------------|
| 2x a133 | 4x a159 | 4x b43 | 12x d1 Ø5x17 mm | 1x d36 | 2x e1 Ø7x50 mm | 8x e2 Ø6,3x13 mm | 28x f1 Ø8x30 mm | 4x f25 Ø6,5x40 mm |
| 2x f9 Ø6x30 mm | 5x k1 | 15x l1 1,4x20 mm | 8x l2 | 6x n108 22x9,5x20,7 mm | 12x p140 Ø3,5x12 mm | 5x p38 Ø3,5x16 mm | 8x p51 Ø3,5x15 mm | 6x p55 Ø2,9x16 mm |
| 18x r1 Ø15x12 mm #16 | 4x r15 Ø12x10,5 mm #12 | 22x r42 20/11 | 2x w152\1 350/580 mm | 2x w152\2 350/580 mm | 6x s68 Ø 20mm | 1x z1 4 mm | 1x n26 | 1x p38 Ø3,5x16 mm |

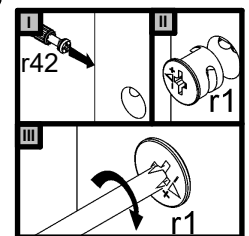
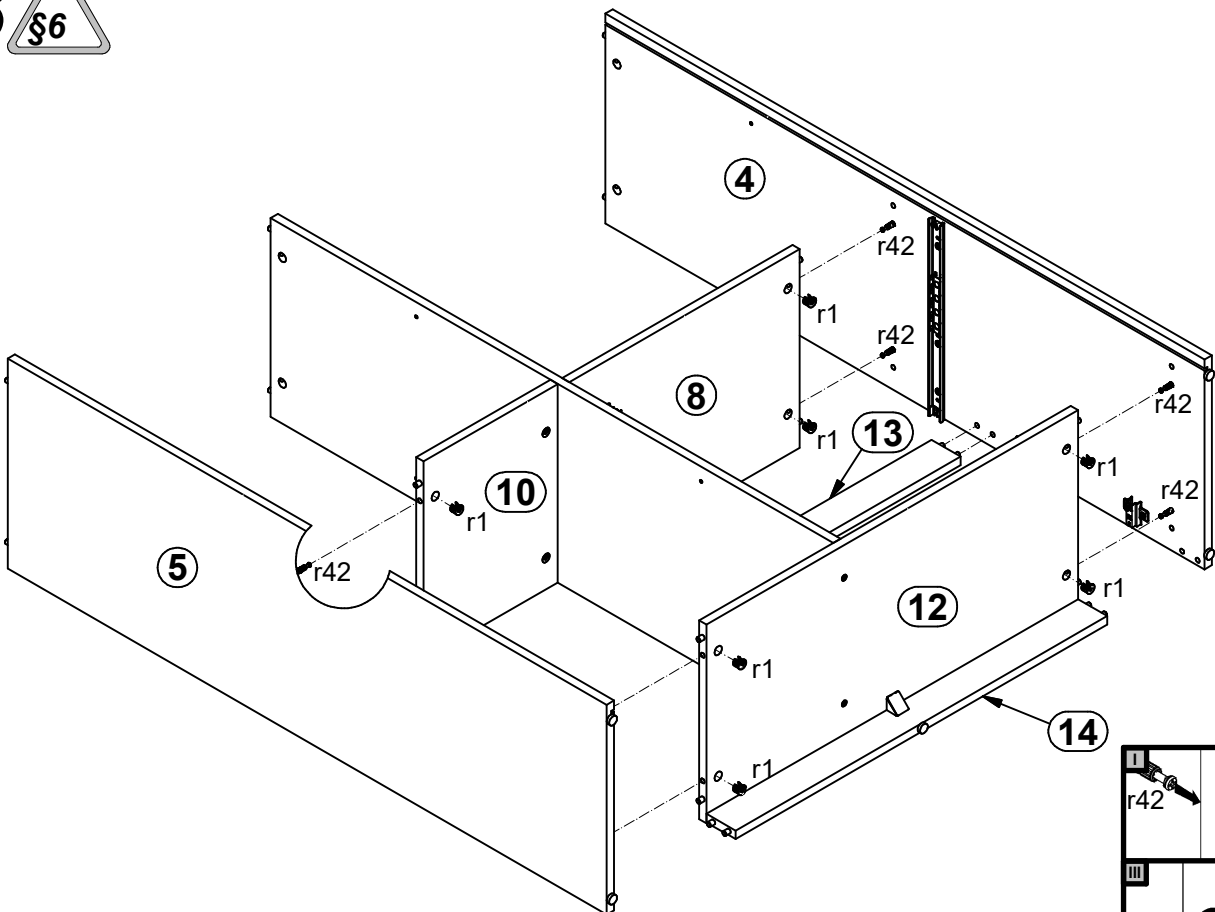
1 



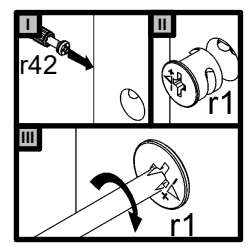
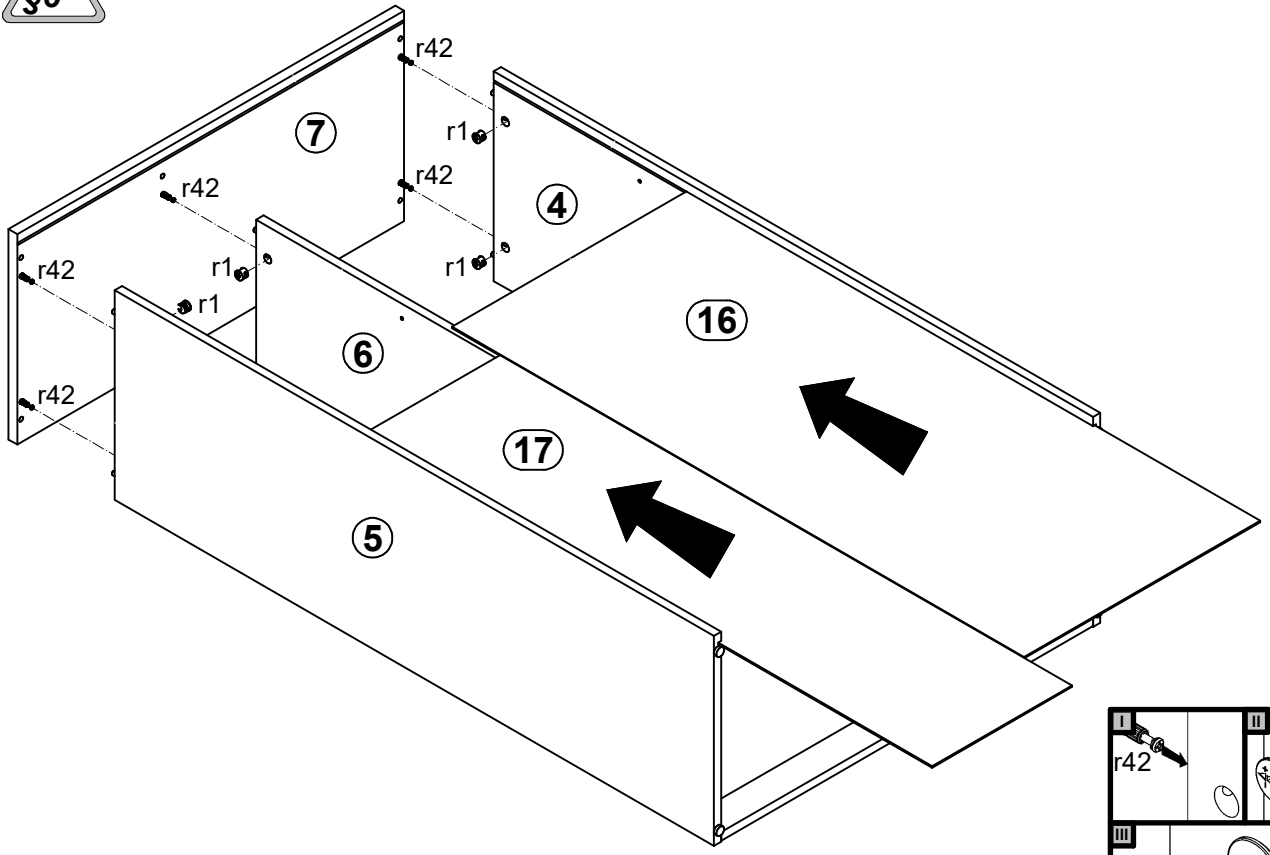
2 



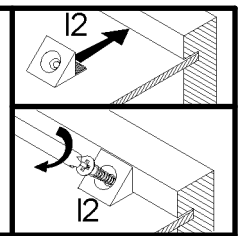
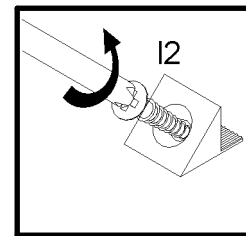
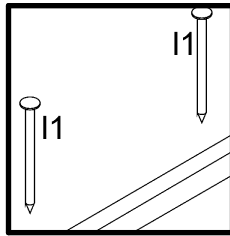
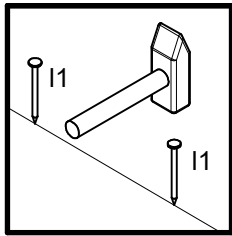
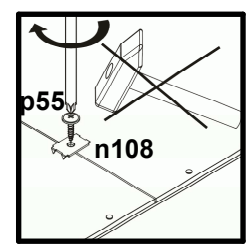
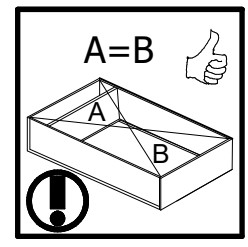
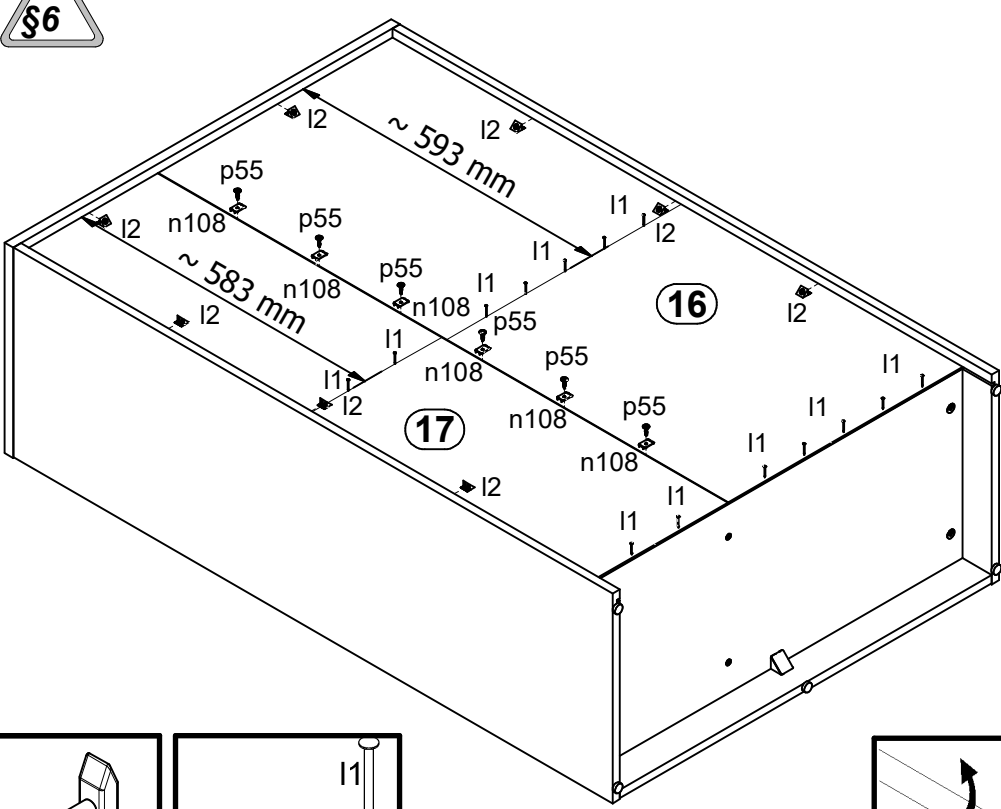
3 



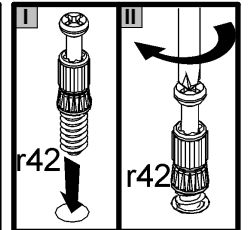
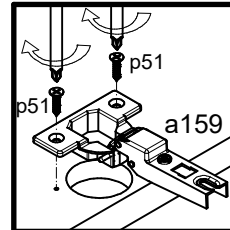
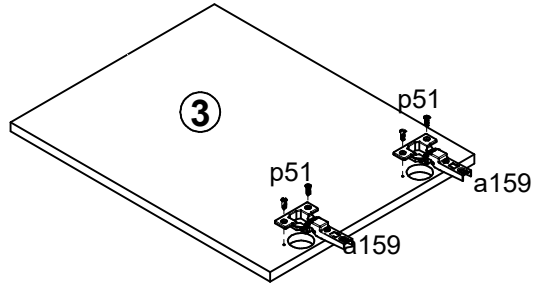
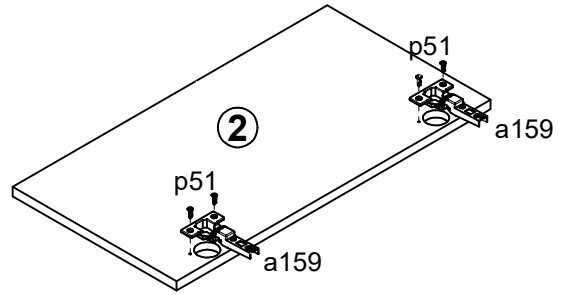
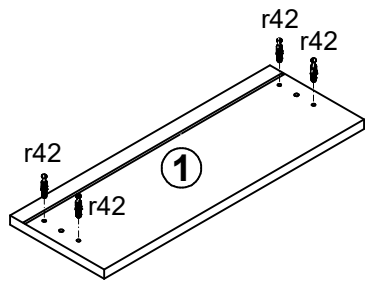
4



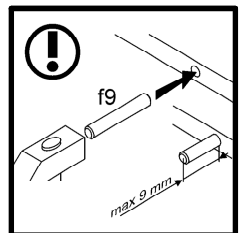
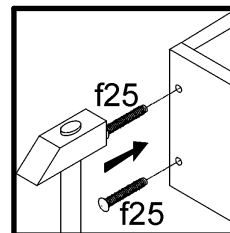
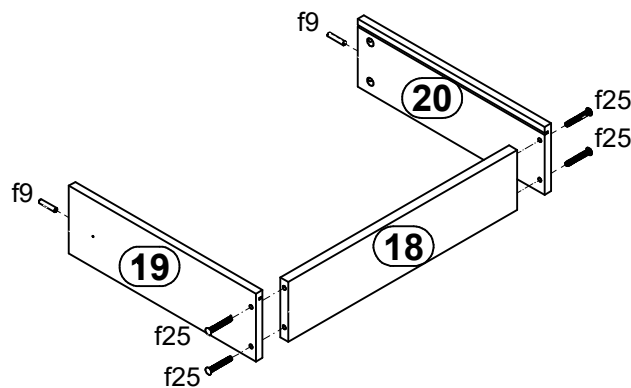
5



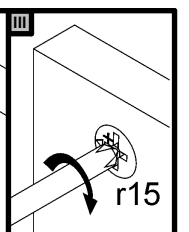
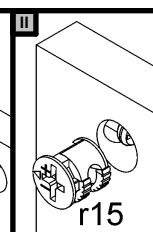
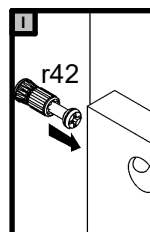
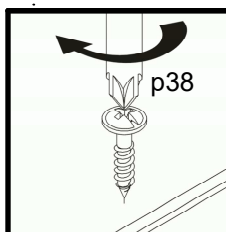
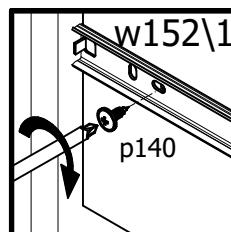
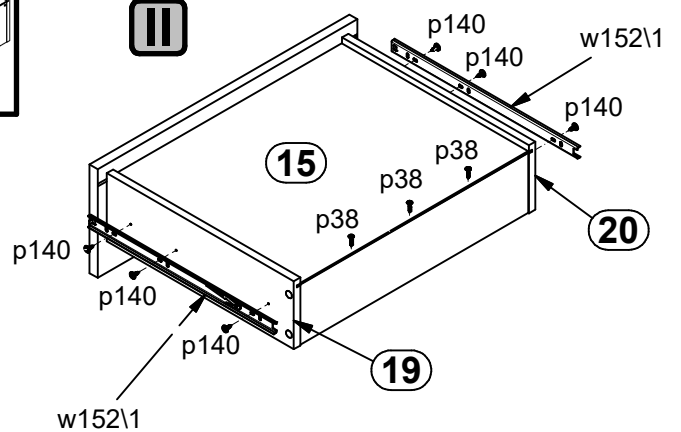
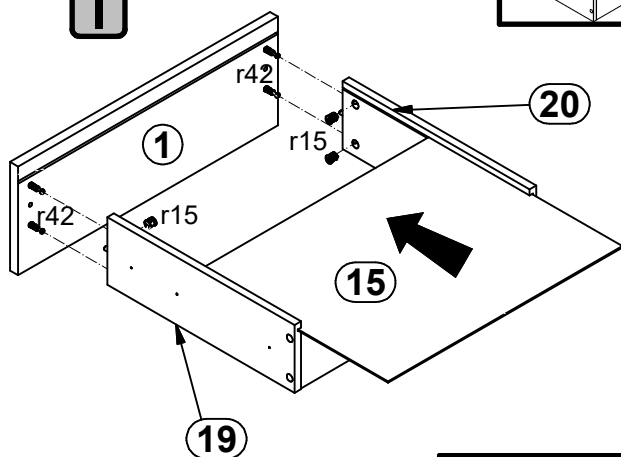
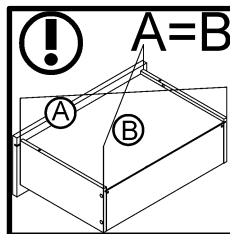
6



7

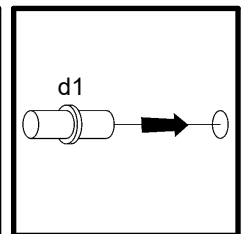
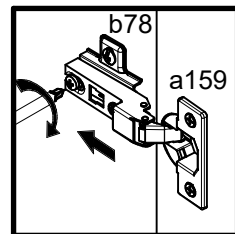
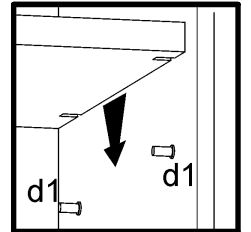
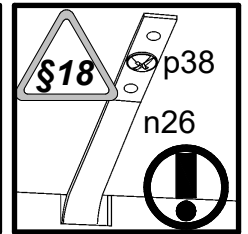
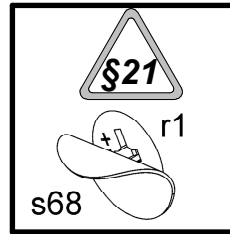
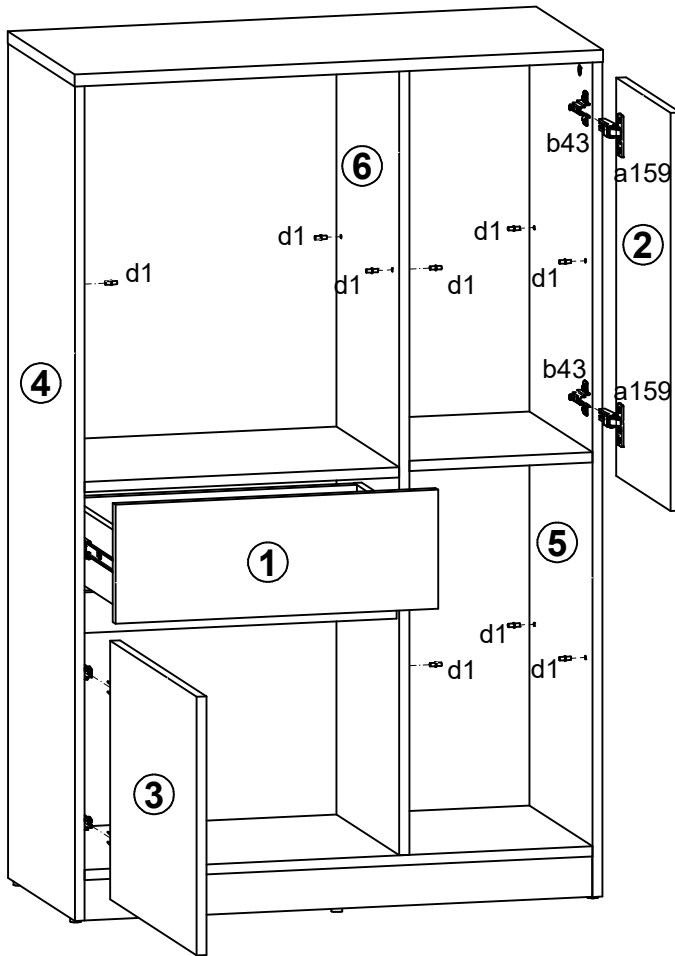


8



9 §6

I



II

