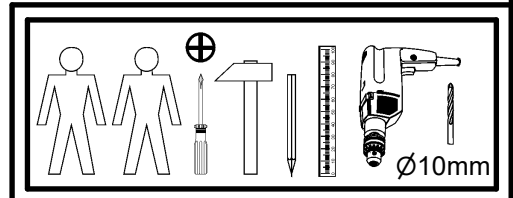
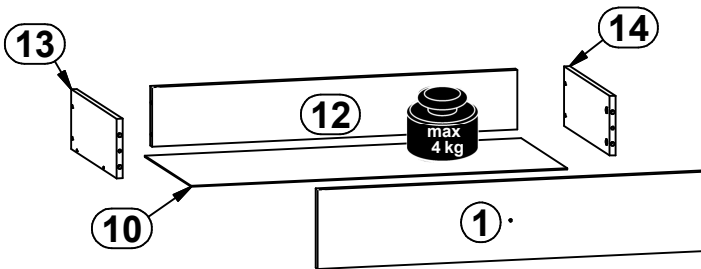
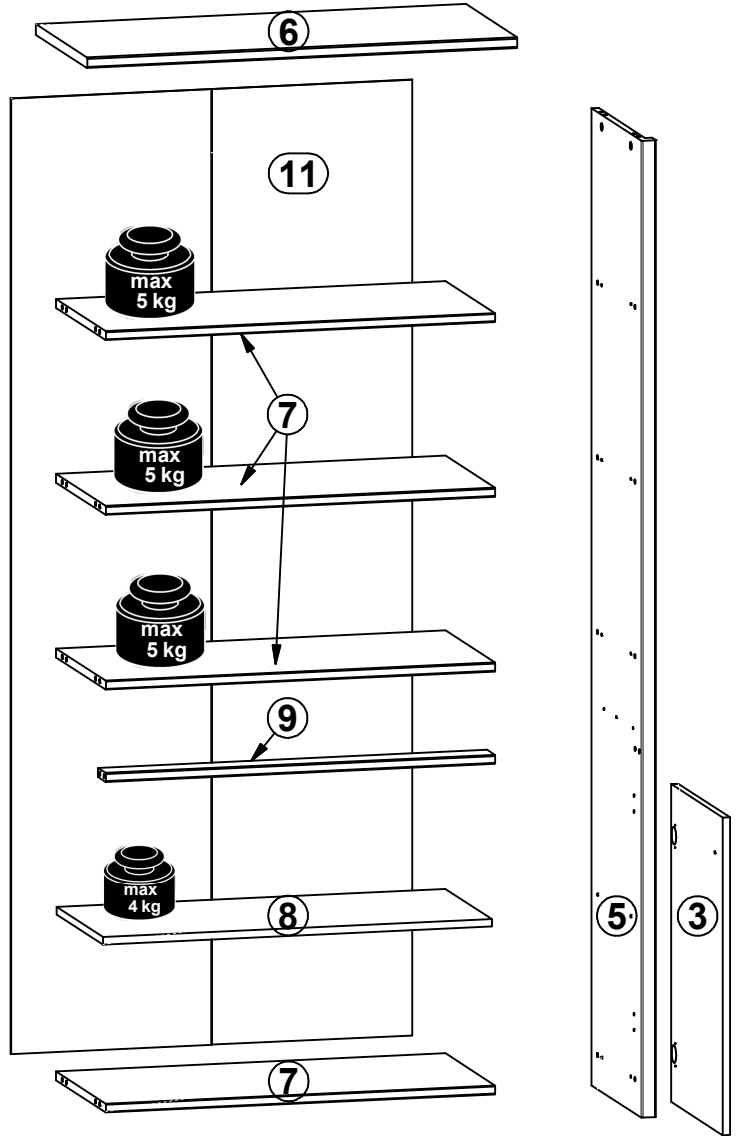
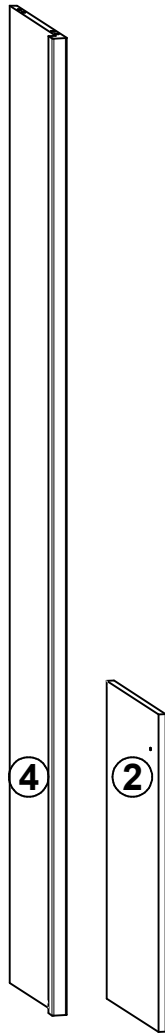
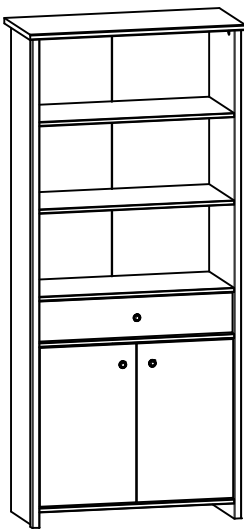
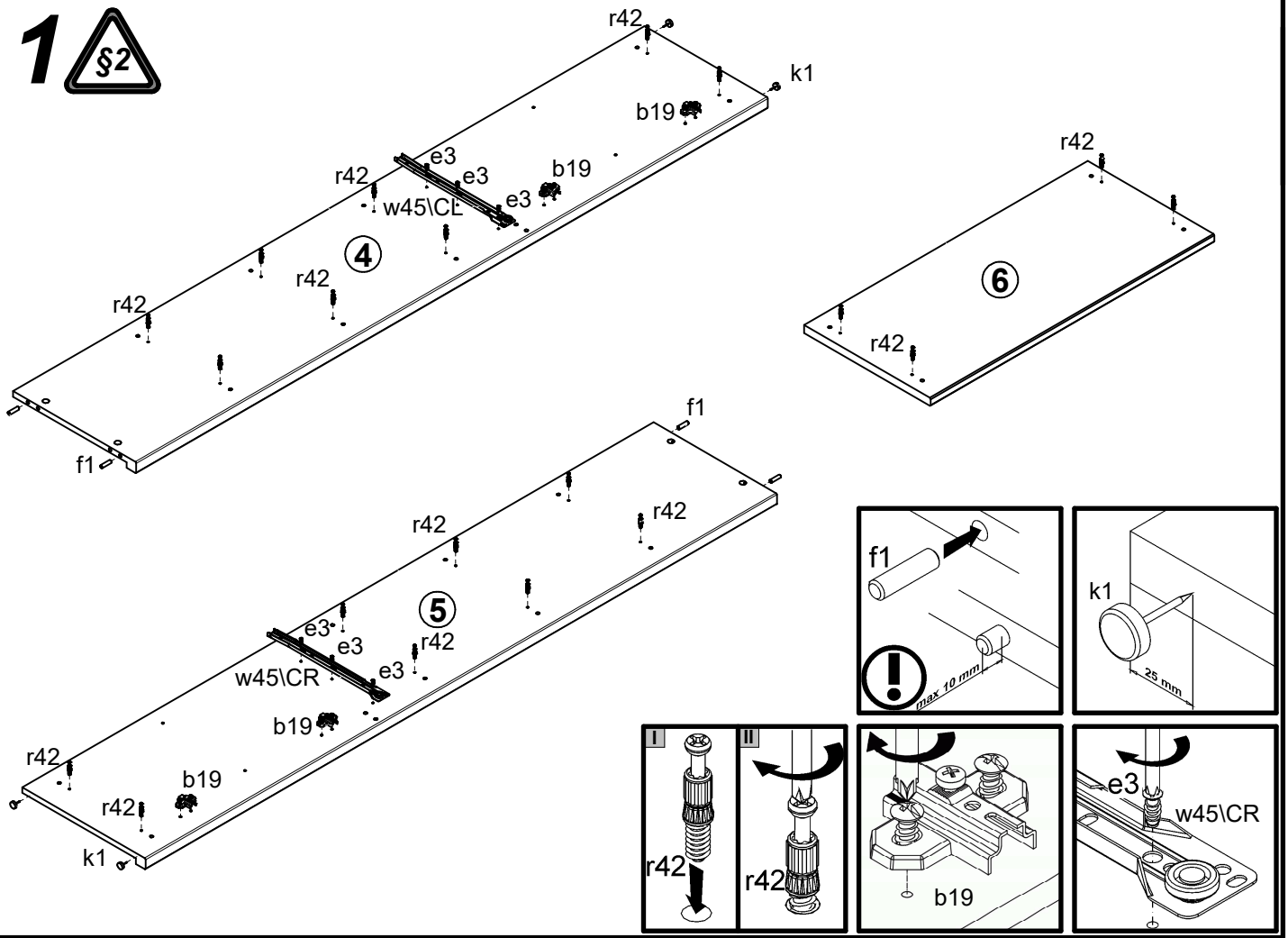


A	B	C	D	
1	S322-001	794	160	3/4
2	S322-012	640	396	4/4
3	S322-013	640	396	4/4
4	S322-138	1968	384	1/4
5	S322-139	1968	384	1/4
6	S322-201	884	395	2/4
7	S322-321	800	381	2/4
8	S322-322	799	357	2/4
9	S322-430	800	60	2/4
10	S322-902	773	355	2/4
11	S322-906	1925	825	1/4
12	ZS3-5628	751	120	2/4
13	ZS4-501	350	120	2/4
14	ZS4-502	350	120	2/4

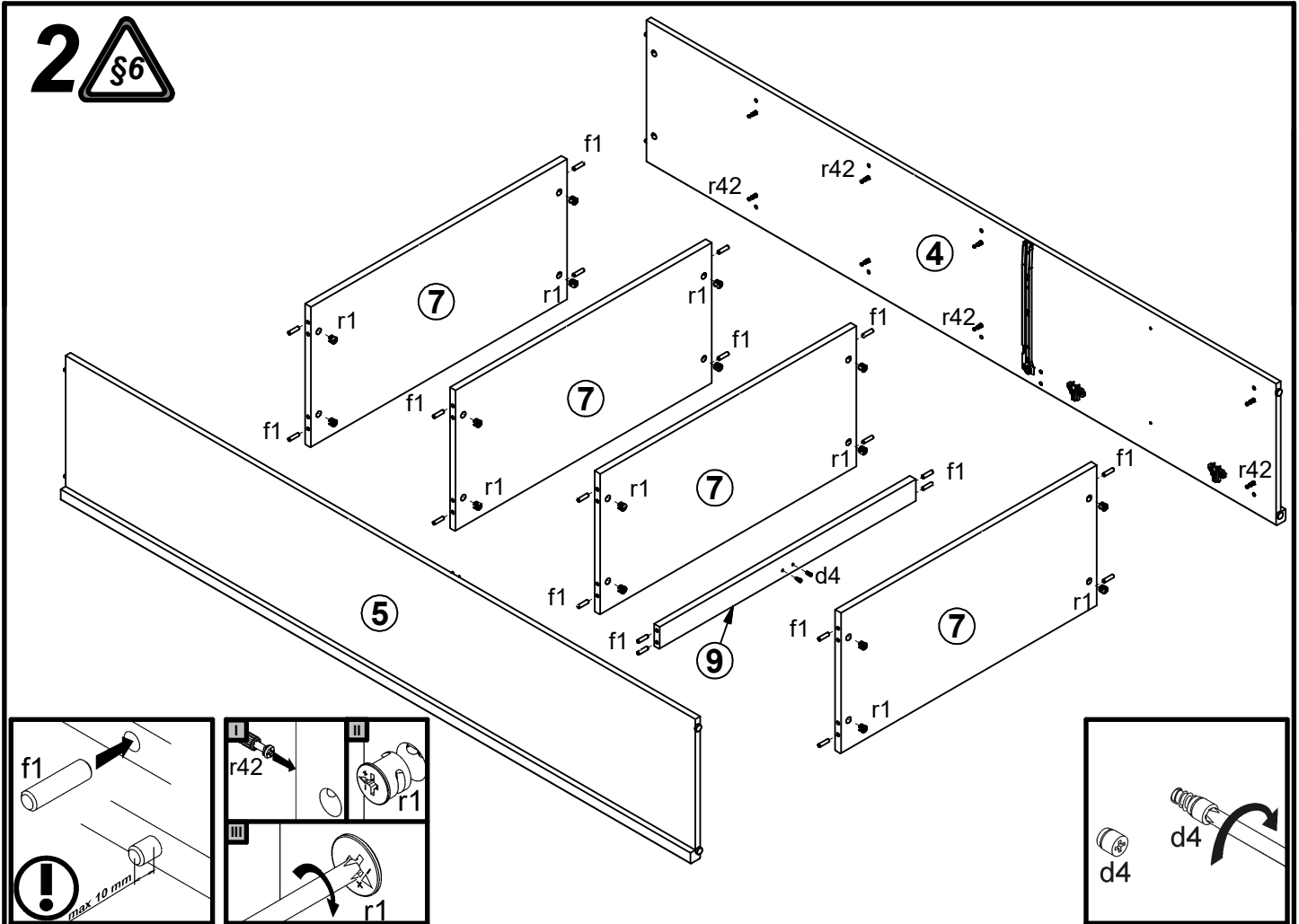


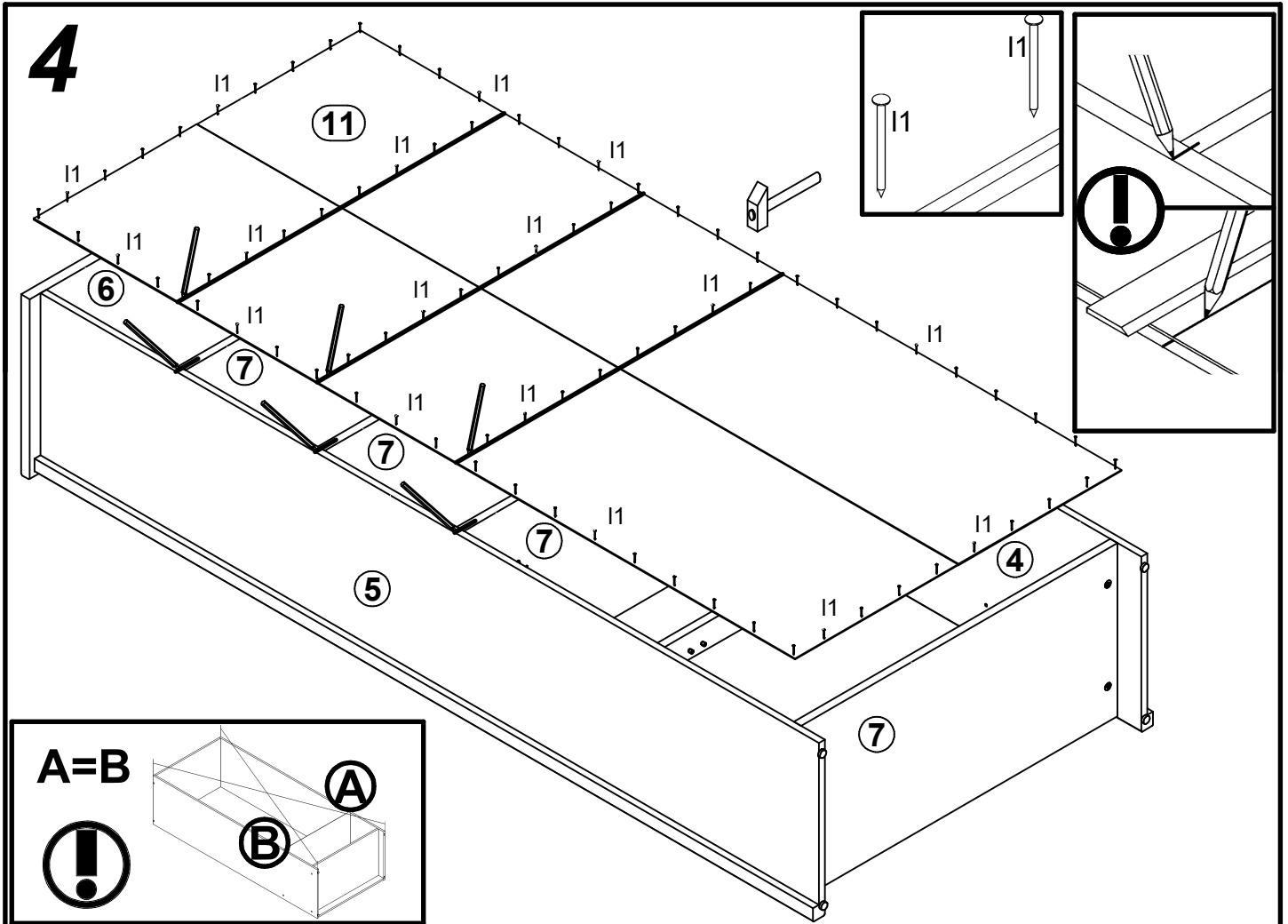
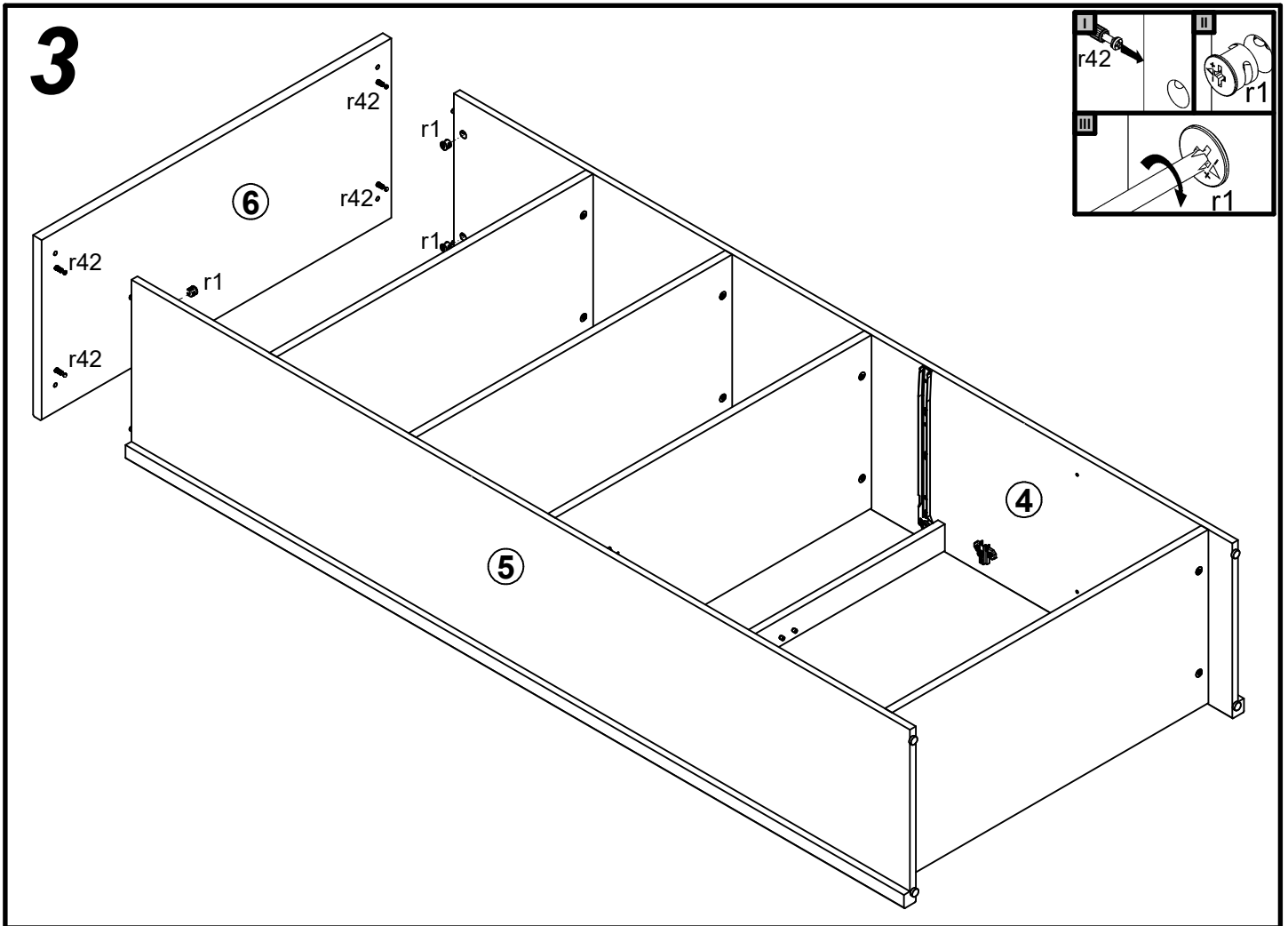
4x K16 a43	4x b19	3x M4 c415	4x d1 Ø5x17 mm	2x d4 Ø6.3x15 mm	6x e3 Ø6x13 mm	4x e19 Ø5x9 mm	24x f1 Ø8x30 mm	2x f9 Ø6x30 mm
4x f25 Ø6.5x40 mm	3x j1 M4x20 mm	4x k1	80x l1	1x p25 Ø3.5x16 mm	1x p35 Ø3.5x10 mm	6x p38 Ø3.5x16 mm	8x p51 Ø3.5x15 mm	20x r1 Ø15x12 mm #16
4x r15 Ø12x10.5 mm #12	24x r42 20/11	1x t35 350 mm	1x w45\CL 350 mm	1x w45\CR 350 mm	1x w45\DL 350 mm	1x w45\DR 350 mm	12x s2 Ø16	1x n26\1
1x p38 Ø3.5x16 mm								

1

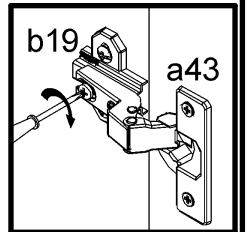
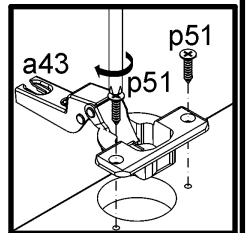
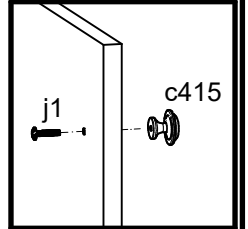
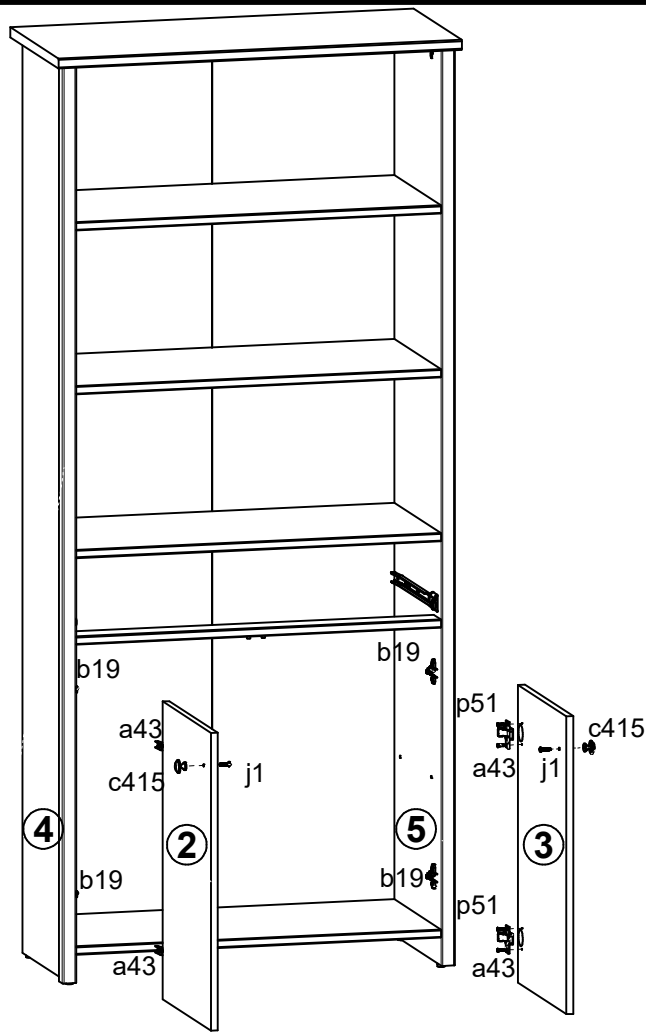


2

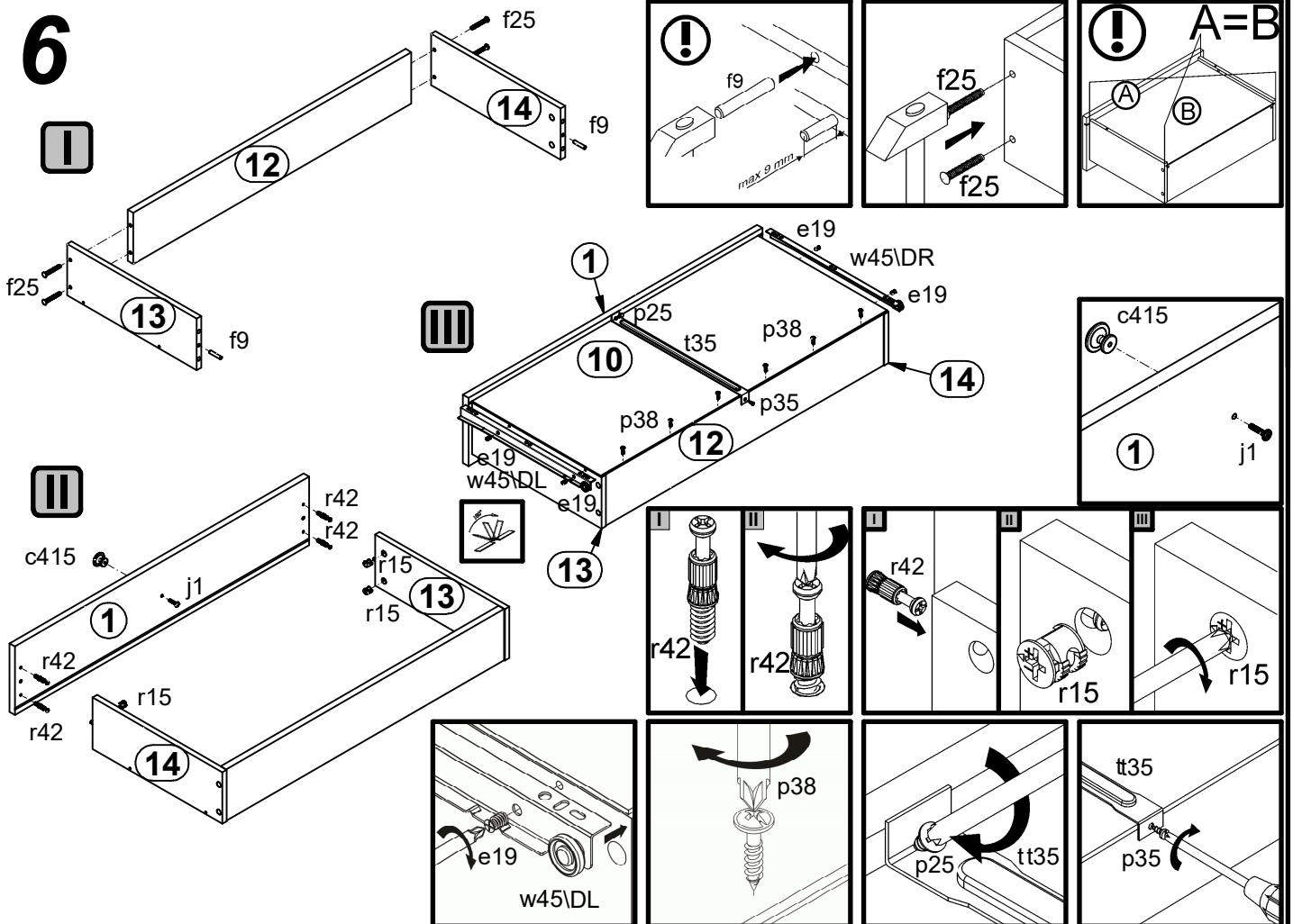




5



6



7

