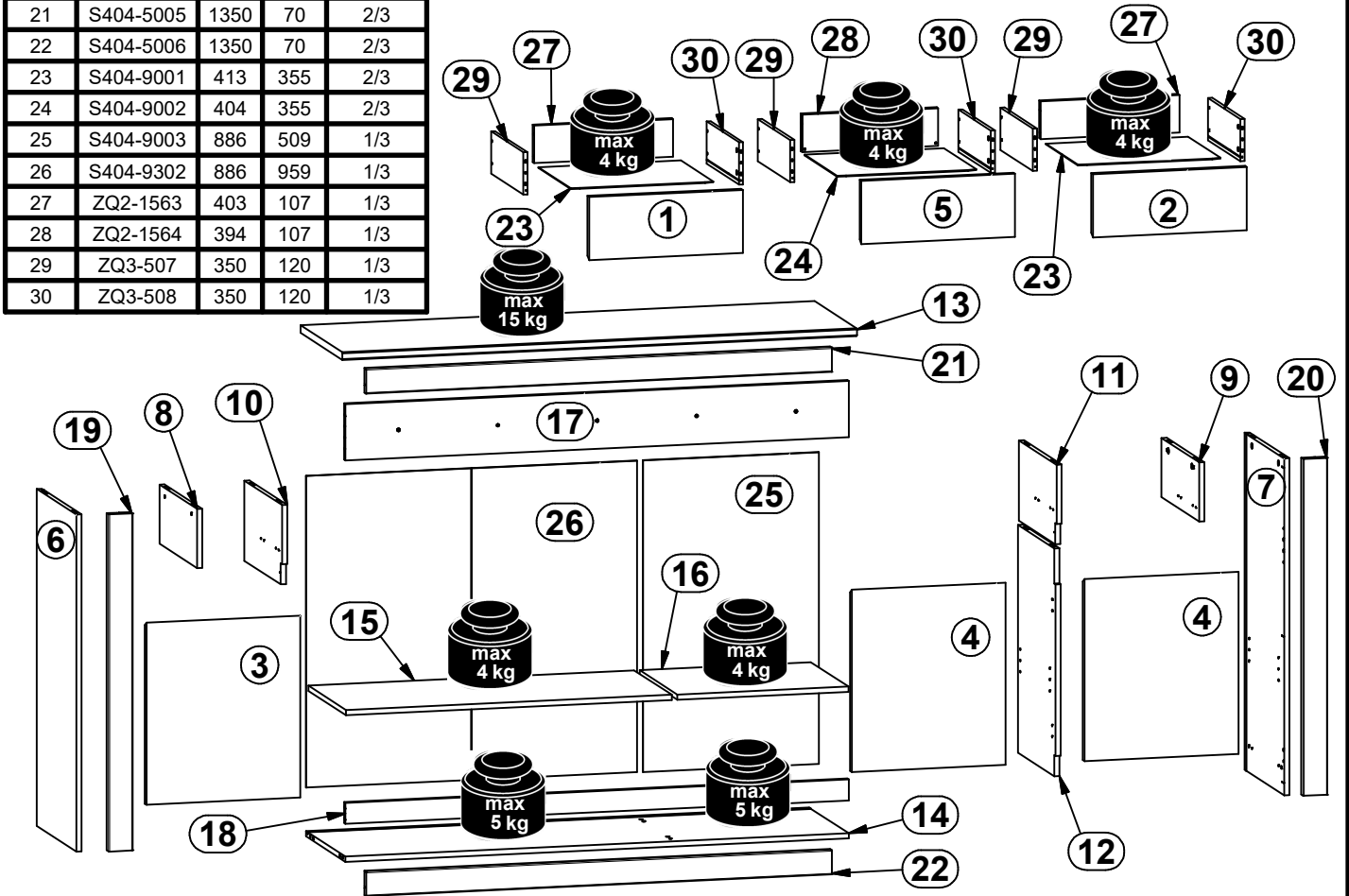
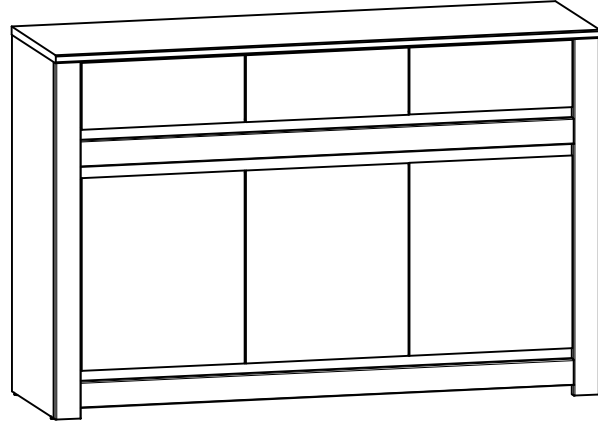
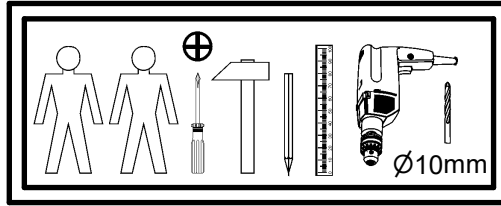
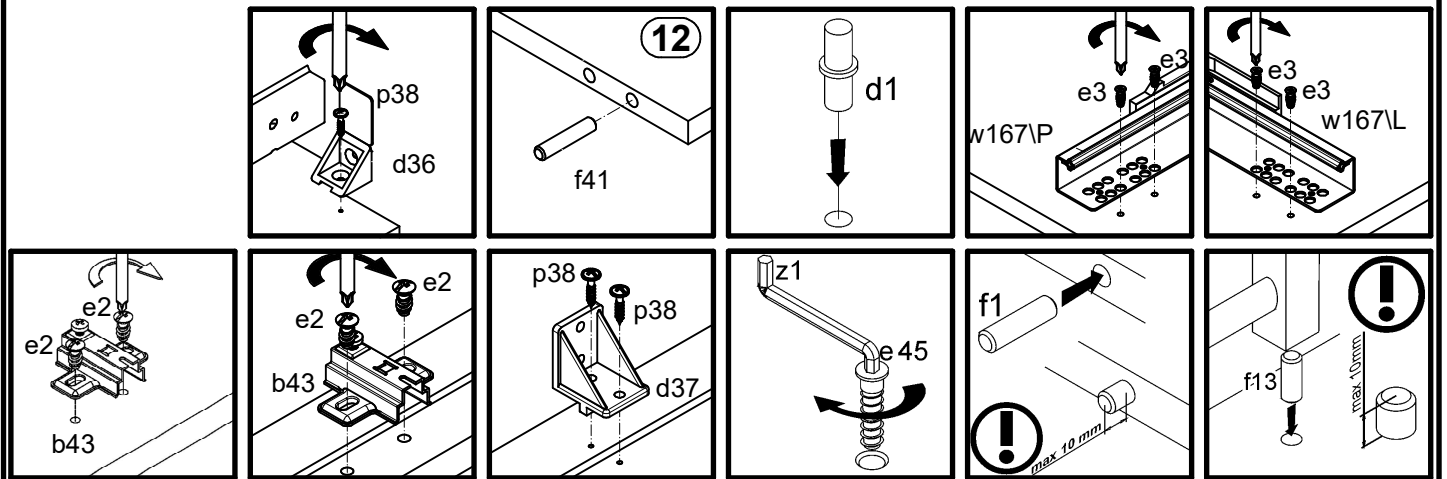
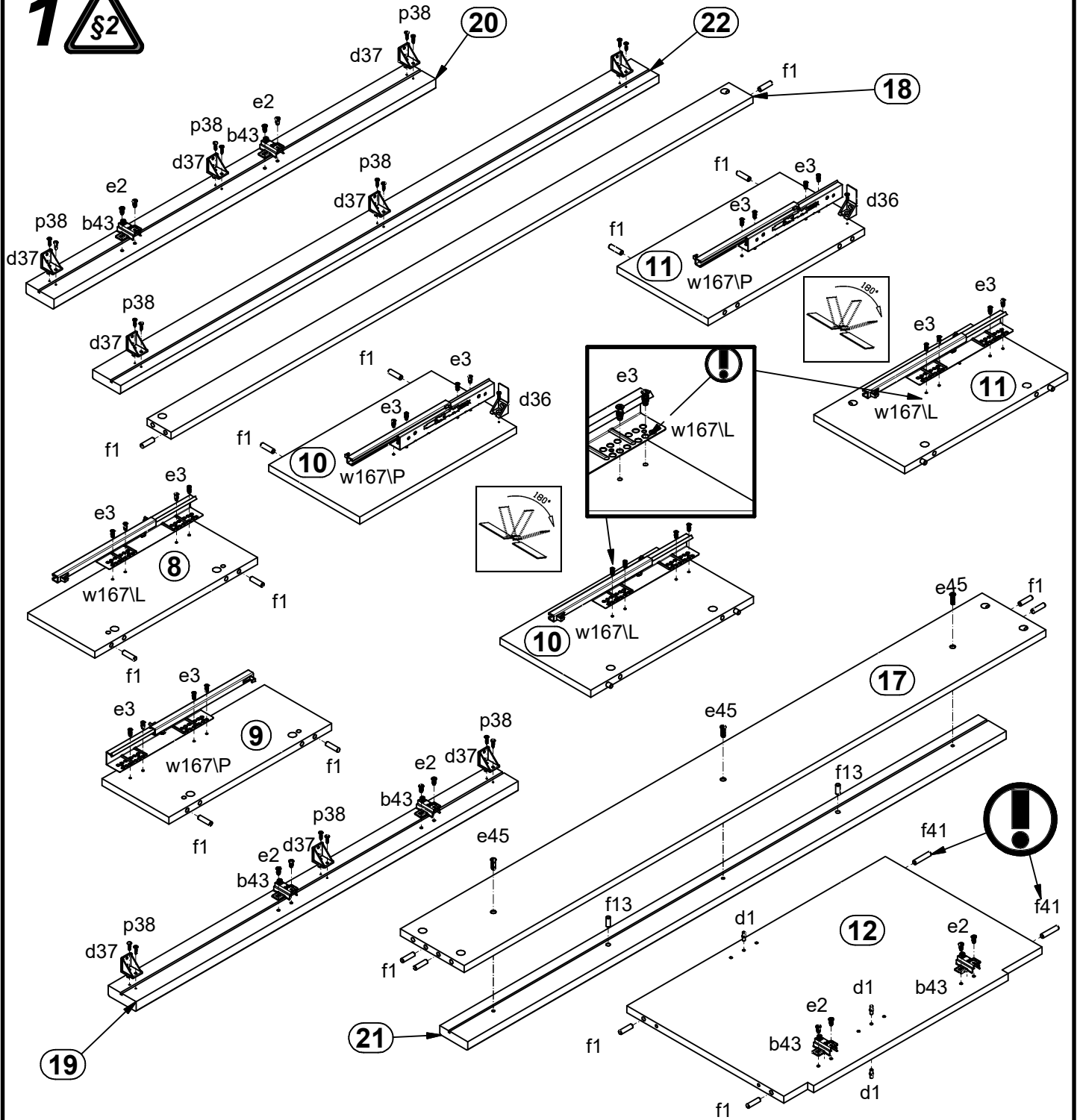


A	B	C	D	
1	S404-0001	446	180	3/3
2	S404-0002	446	180	3/3
3	S404-0003	518	446	3/3
4	S404-0004	518	446	3/3
5	S404-0005	446	180	3/3
6	S404-1001	958	428	1/3
7	S404-1002	958	428	1/3
8	S404-1003	168	408	1/3
9	S404-1004	168	408	1/3
10	S404-1005	228	408	1/3
11	S404-1006	228	408	1/3
12	S404-1007	648	408	1/3
13	S404-2002	1491	454	2/3
14	S404-3003	1459	428	2/3
15	S404-3004	945	407	2/3
16	S404-3005	496	407	2/3
17	S404-4003	1459	160	2/3
18	S404-4004	1459	60	2/3
19	S404-5001	958	70	1/3
20	S404-5002	958	70	1/3
21	S404-5005	1350	70	2/3
22	S404-5006	1350	70	2/3
23	S404-9001	413	355	2/3
24	S404-9002	404	355	2/3
25	S404-9003	886	509	1/3
26	S404-9302	886	959	1/3
27	ZQ2-1563	403	107	1/3
28	ZQ2-1564	394	107	1/3
29	ZQ3-507	350	120	1/3
30	ZQ3-508	350	120	1/3

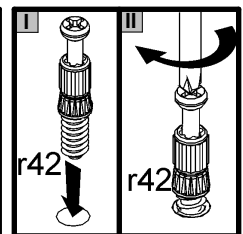
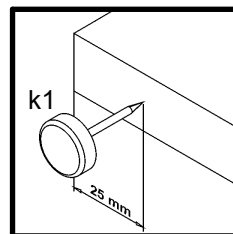
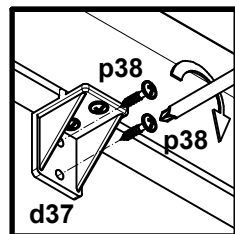
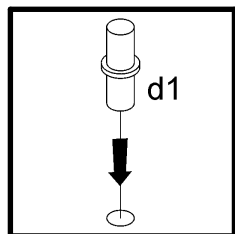
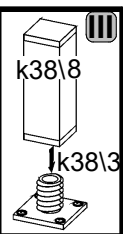
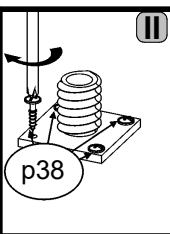
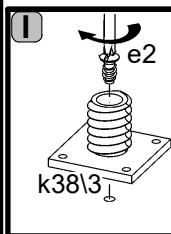
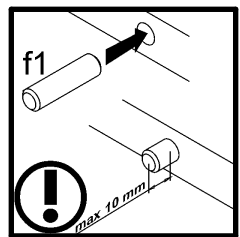
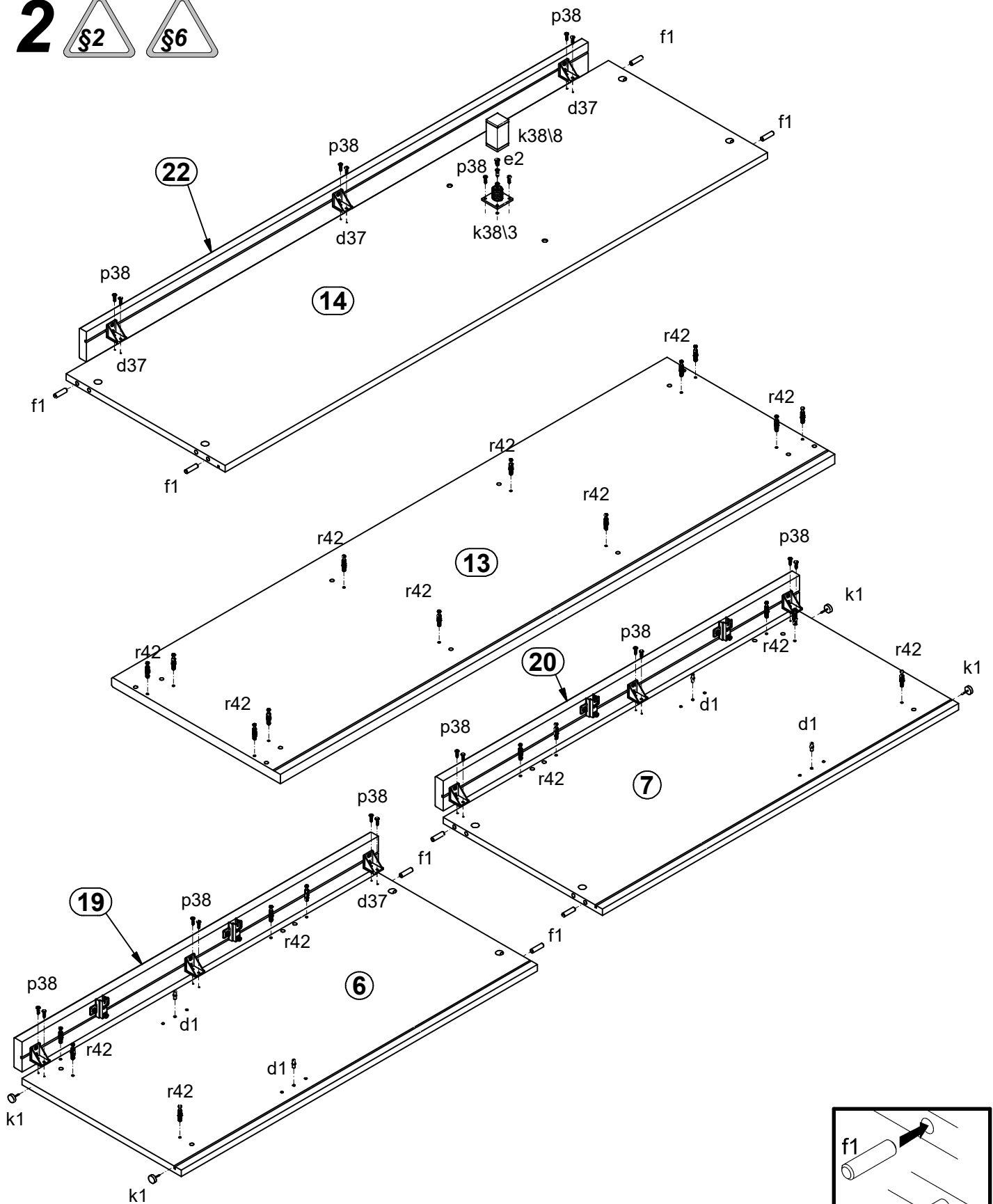


4x a132	3x a133	2x a159	6x b43	8x d1	2x d36	9x d37	2x e1	13x e2
24x e3	3x e45	24x f1	6x f9	2x f13	12x f25	2x f41	4x k1	1x k38/3
1x k38/8	14x l2	4x n108	53x p38	12x p51	10x p55	26x r1	12x r15	34x r42
2x r51	3x w167/L	3x w167/P	1x z1				1x n26/1	1x p38

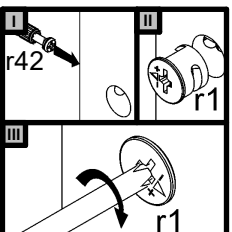
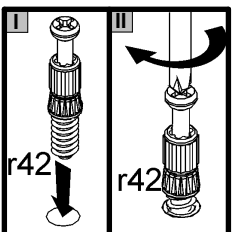
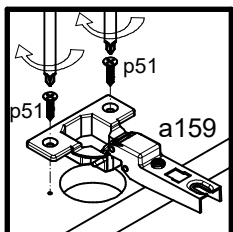
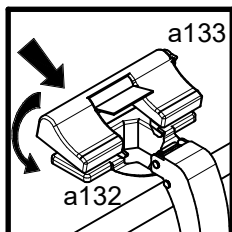
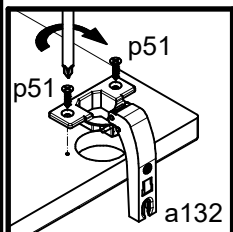
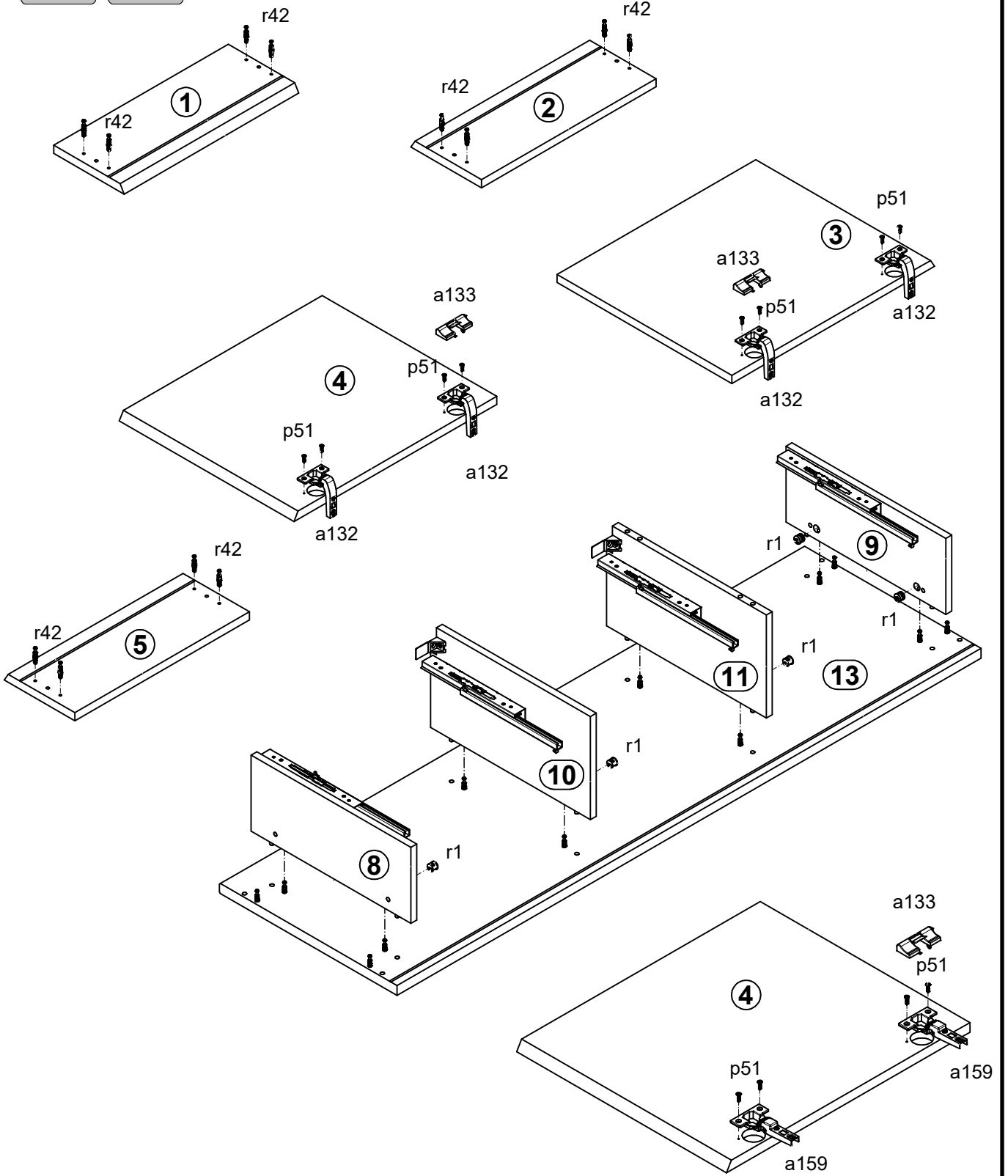
1 



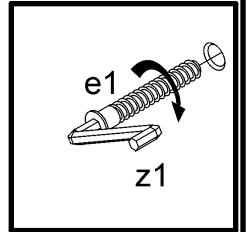
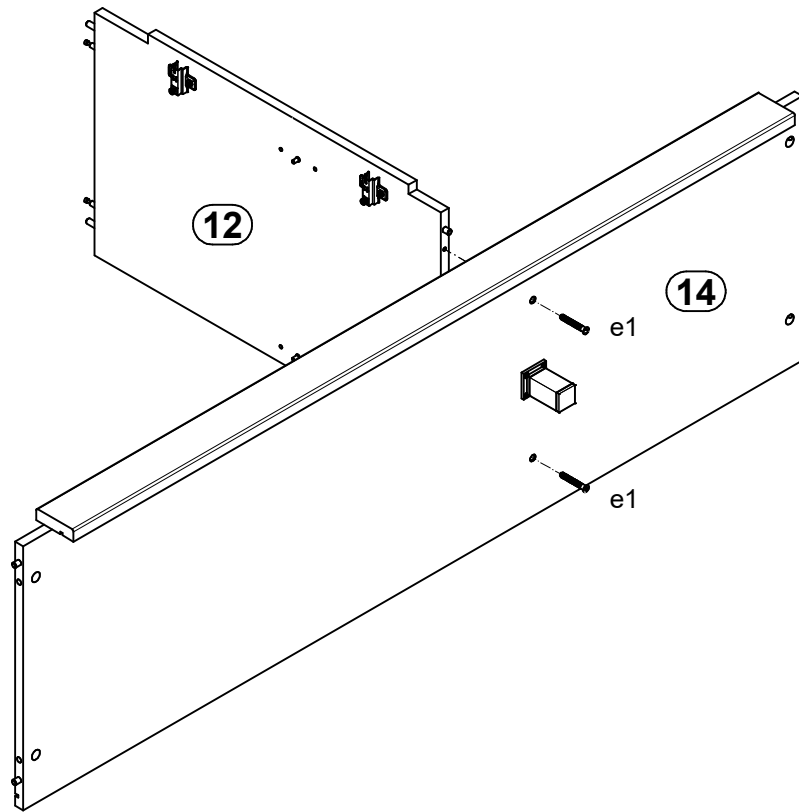
2



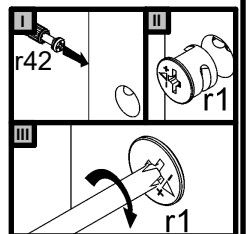
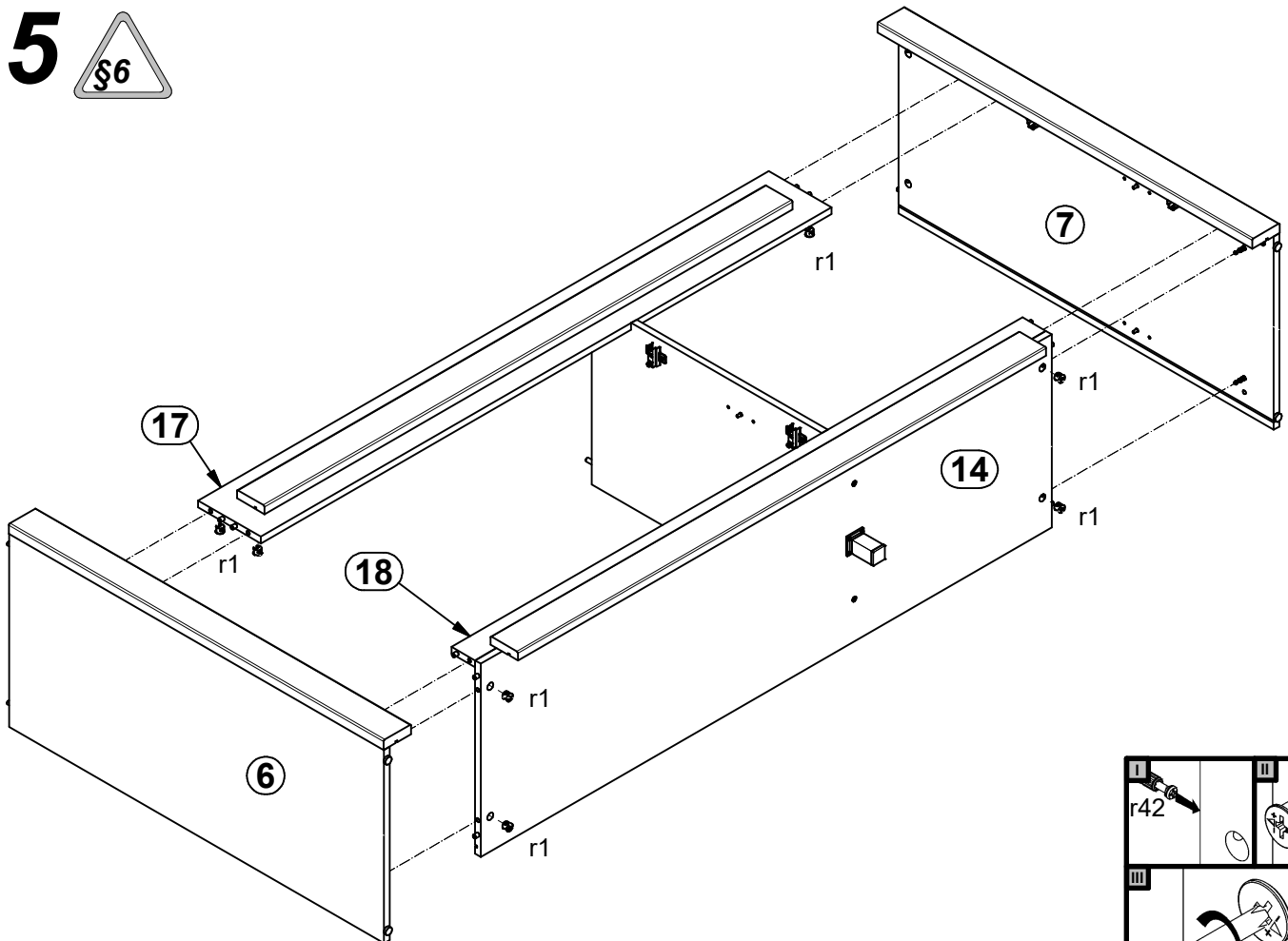
3



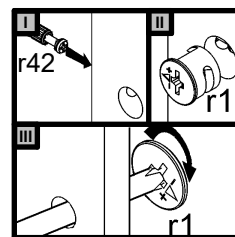
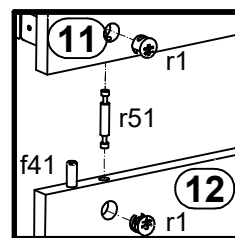
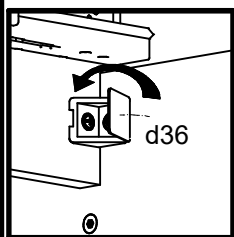
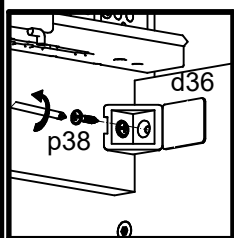
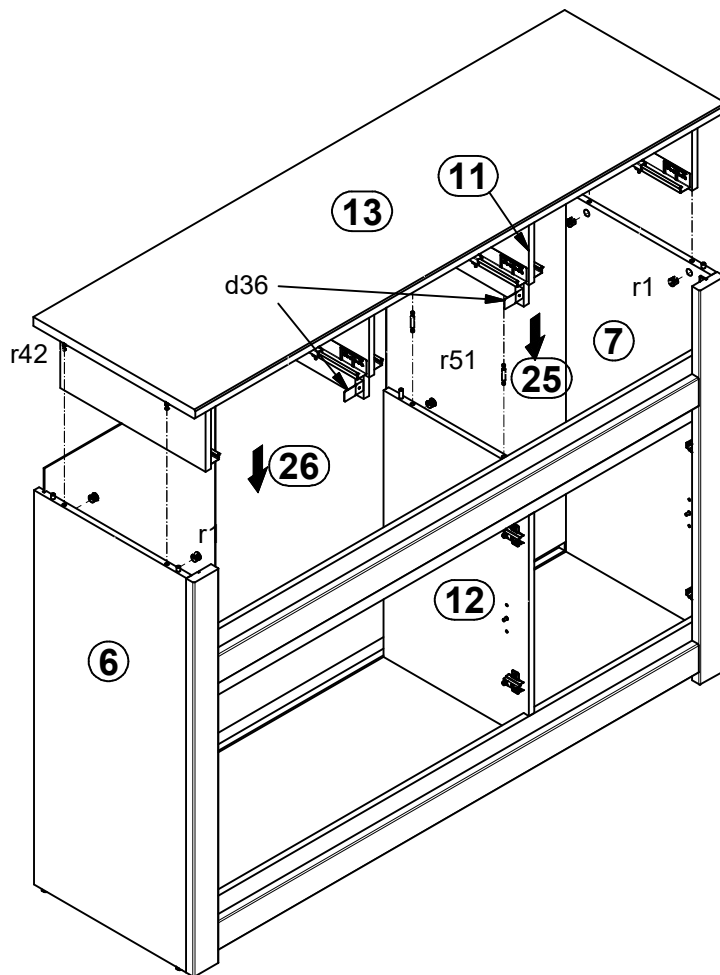
4



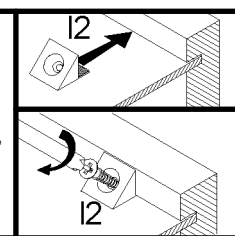
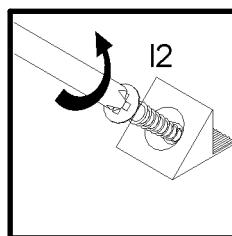
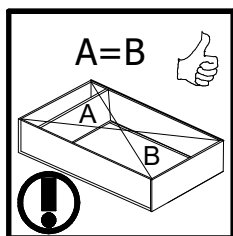
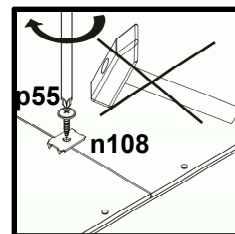
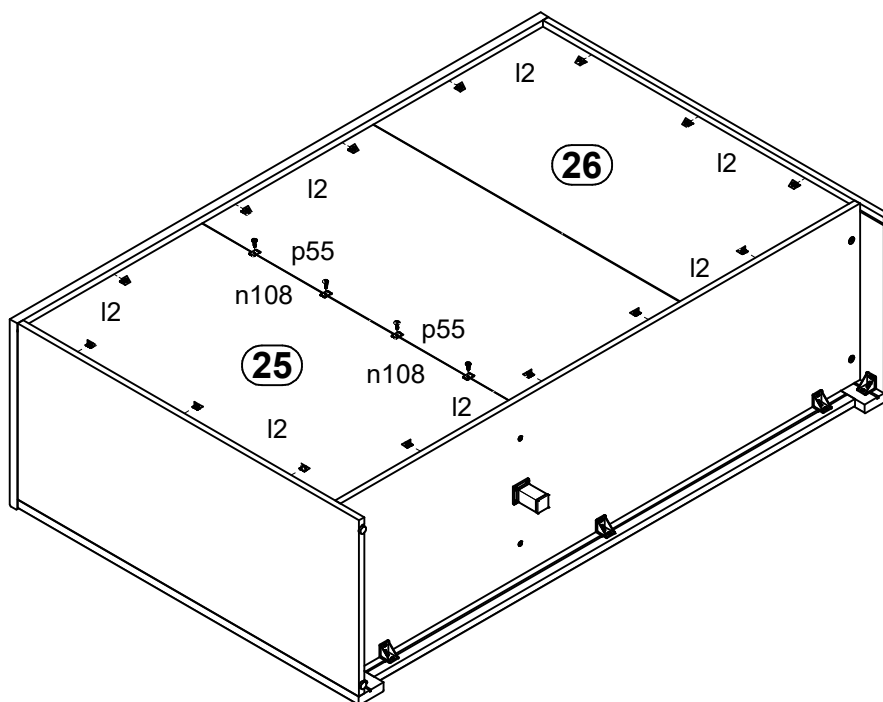
5



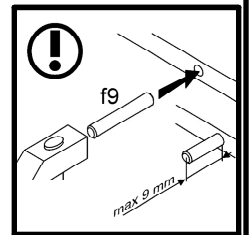
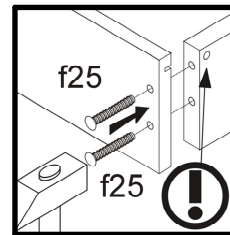
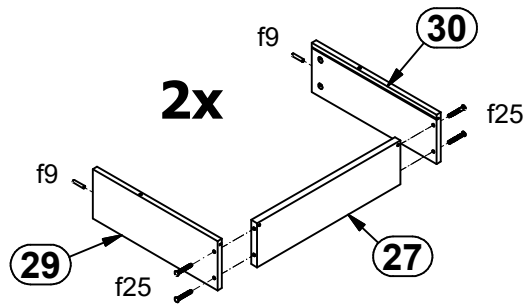
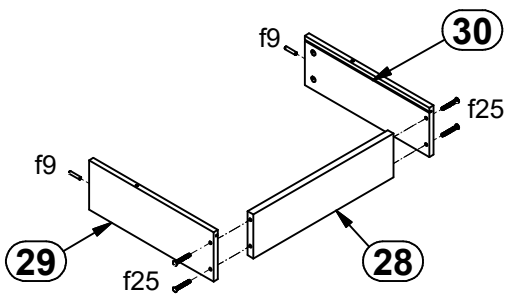
6



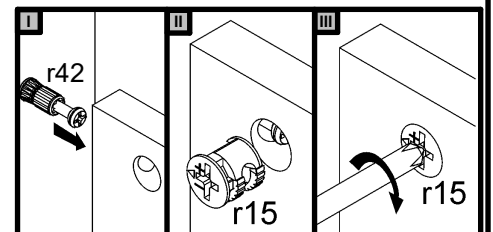
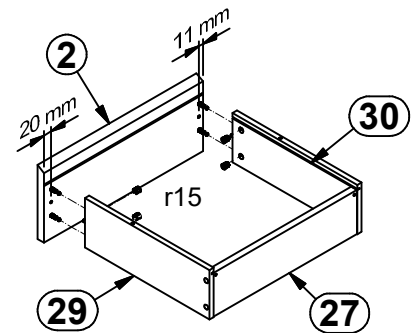
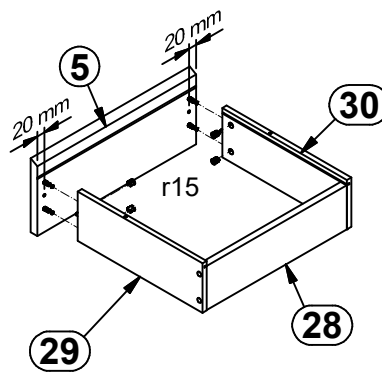
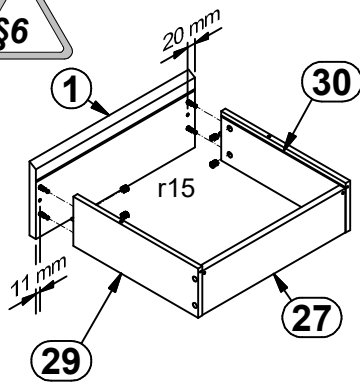
7



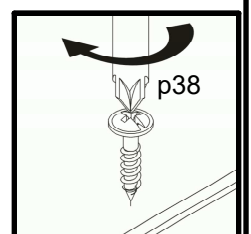
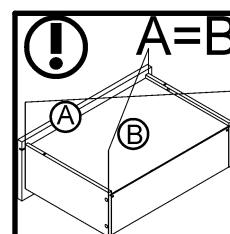
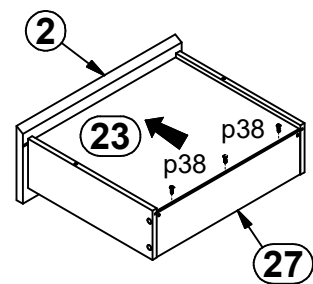
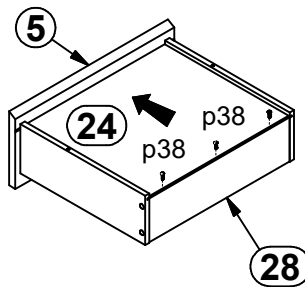
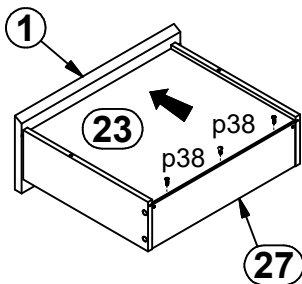
8



9



10



11

