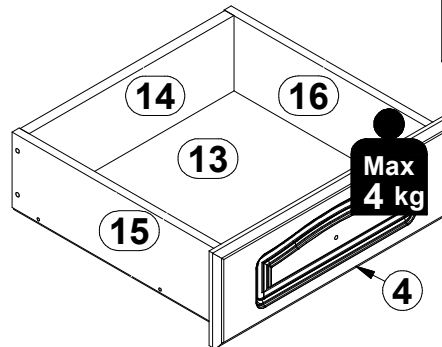
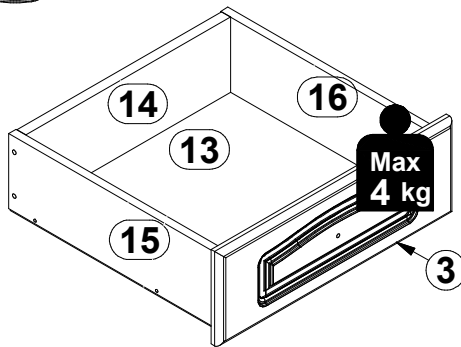
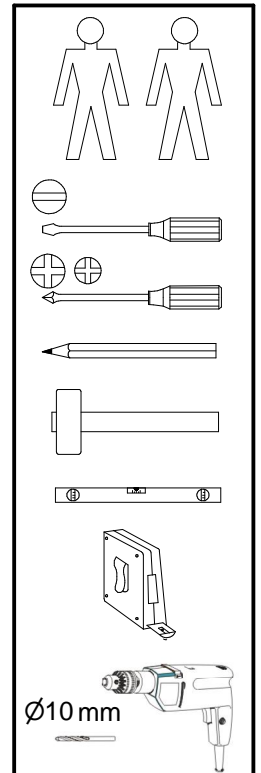
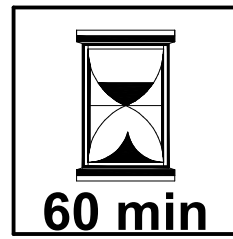
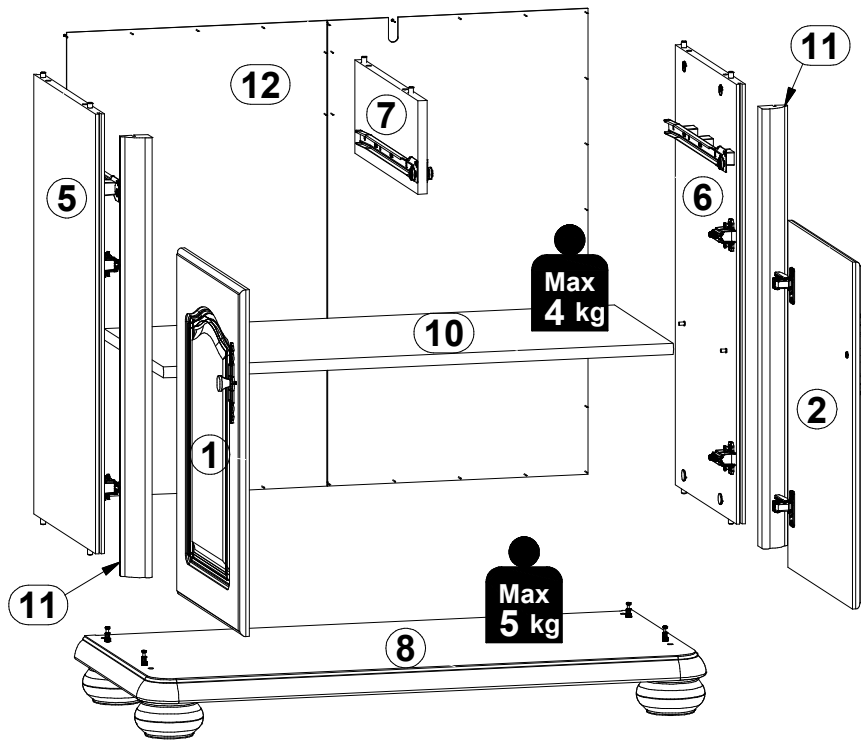


| A | B | C1 | C2 | C3 | D |
|----|----------|------|------|-----|-----|
| 1 | S41-0002 | 560 | 396 | 16 | 3/5 |
| 2 | S41-0003 | 560 | 396 | 16 | 3/5 |
| 3 | S41-0004 | 138 | 396 | 16 | 3/5 |
| 4 | S41-0005 | 138 | 396 | 16 | 3/5 |
| 5 | S41-1003 | 710 | 379, | 15 | 1/5 |
| 6 | S41-1004 | 710 | 379, | 15 | 1/5 |
| 7 | S41-1005 | 151 | 388 | 15 | 1/5 |
| 8 | S41-2002 | 935 | 436 | 38 | 2/5 |
| 9 | S41-2003 | 935 | 436 | 38 | 2/5 |
| 10 | S41-3001 | 839 | 364, | 18 | 1/5 |
| 11 | S41-5002 | 710 | 47 | 32 | 4/5 |
| 12 | S41-9302 | 752, | 857, | 2,5 | 1/5 |
| 13 | WSP-9302 | 367 | 358 | 2,5 | 1/5 |
| 14 | ZS7-5044 | 345 | 110 | 15 | 1/5 |
| 15 | ZS7-521 | 350 | 110 | 12 | 1/5 |
| 16 | ZS7-522 | 350 | 110 | 12 | 1/5 |



| | | | | | | | | |
|---------------------------------|-----------------------------|----------------------------|--------------------------|---------------------------------------|---------------------------------------|---------------------------------------|---------------------------------------|-------------------------------|
| 4x a172 | 4x b85 | 4x c69 | 4x φ5x17 mm d1 | 6x φ6x30 mm e16 | 8x φ5x9 mm e19 | 4x Ø6x30 mm f9 | 3x φ6x13 mm e3 | 10x φ8x30 mm f1 |
| 6x 46x18/4 mm f11 | 8x φ6.5x40 mm f25 | 4x φ10x40 mm f27 | 4x M4x25 mm j8 | 4x φ110x58/62 mm k47 | 40x l1 | 3x φ3.5x13 mm p1 | 8x φ3.5x15 mm p51 | 10x φ15x12mm #16 r1 |
| 8x φ12x10.5mm #12 r15 | 18x 20/11 r42 | 4x ø16 s2 | 6x h=18 mm w36 | 2x 350 mm w45 ^{CL} | 2x 350 mm w45 ^{CR} | 2x 350 mm w45 ^{DL} | 2x 350 mm w45 ^{DR} | 1x GLUE y1/1 |
| 1x z1 | | | | 1x Ø5x60 mm p17 | 1x 86x21x15/1.5 n14/2 | 1x Ø10x50 mm f35 | 2x Ø3.5x16 mm p38 | |

