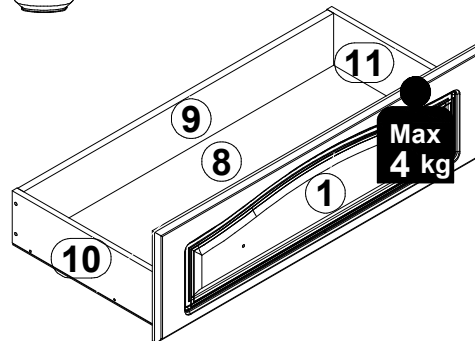
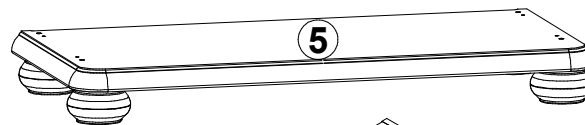
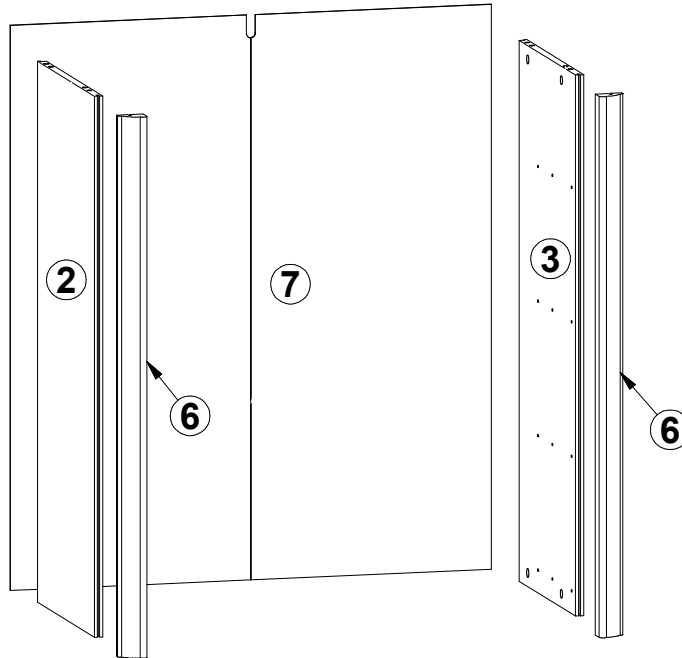
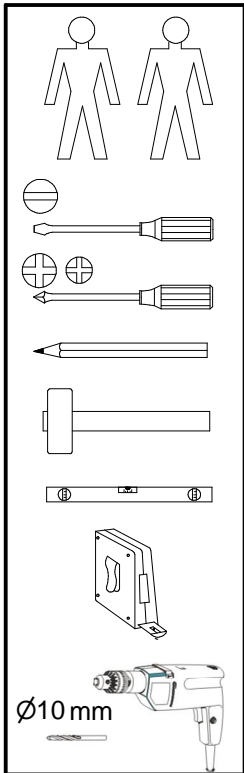
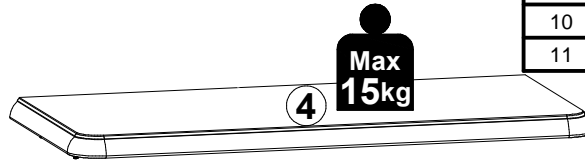


1	S41-0001	232	796	3/5
2	S41-1001	945	379,	1/5
3	S41-1002	945	379,	1/5
4	S41-2001	935	436	2/5
5	S41-2002	935	436	2/5
6	S41-5001	945	47	4/5
7	S41-9301	987,	857,	1/5
8	WSP-9301	776	358	1/5
9	ZS7-5043	754	110	1/5
10	ZS7-521	350	110	1/5
11	ZS7-522	350	110	1/5



8x c69	24x e16 φ6x30 mm	16x e19 φ5x9 mm	8x f1 φ8x30 mm	6x f11 46x18/4 mm	16x f25 φ6.5x40 mm	4x f27 φ10x40 mm	8x j8 M4x25 mm	4x k47 φ110x58/62 mm
40x l1	4x p25 φ3.5x16 mm	8x r1 φ15x12mm #16	16x r15 φ12x10.5mm #12	24x r42 20/11	4x t35 350 mm	24x w36 h=18 mm	4x w45 ^{CL} 350 mm	4x w45 ^{CR} 350 mm
4x w45 ^{DL} 350 mm	4x w45 ^{DR} 350 mm	1x y12 GLUE	1x z1	4x p35 Ø3.5x10 mm	1x p17 Ø5x60 mm	1x n14/2 88x21x15/1.5	1x f35 Ø10x50 mm	2x p38 Ø3.5x16 mm
8x f9 Ø6x30 mm								



