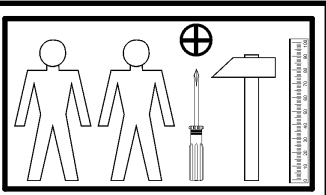
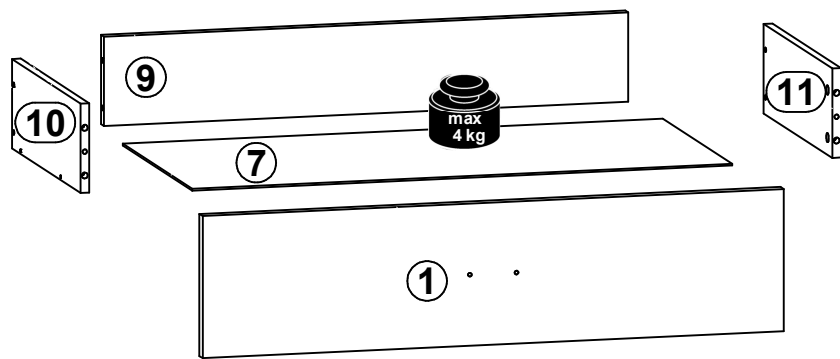
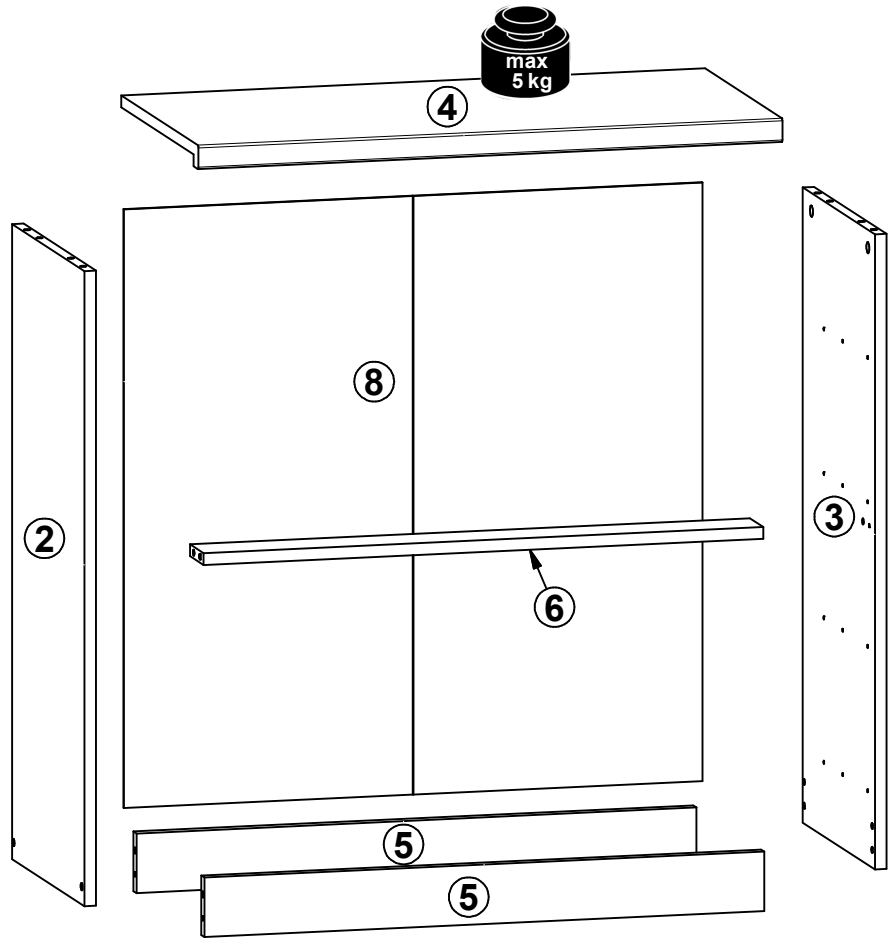
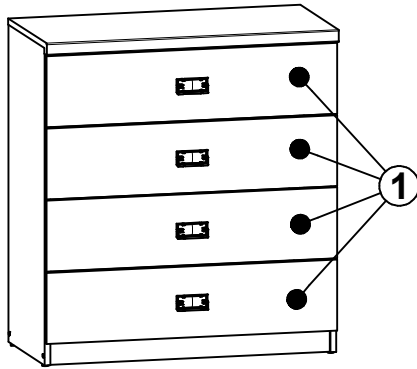
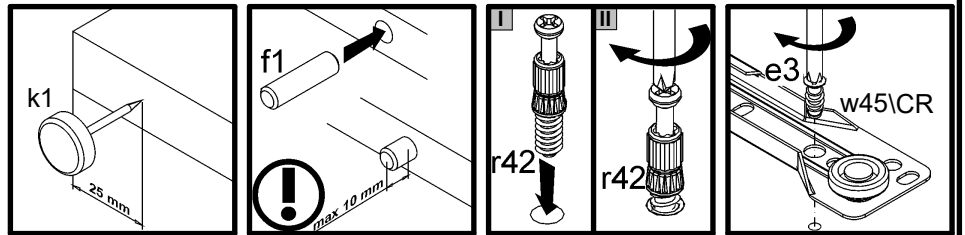
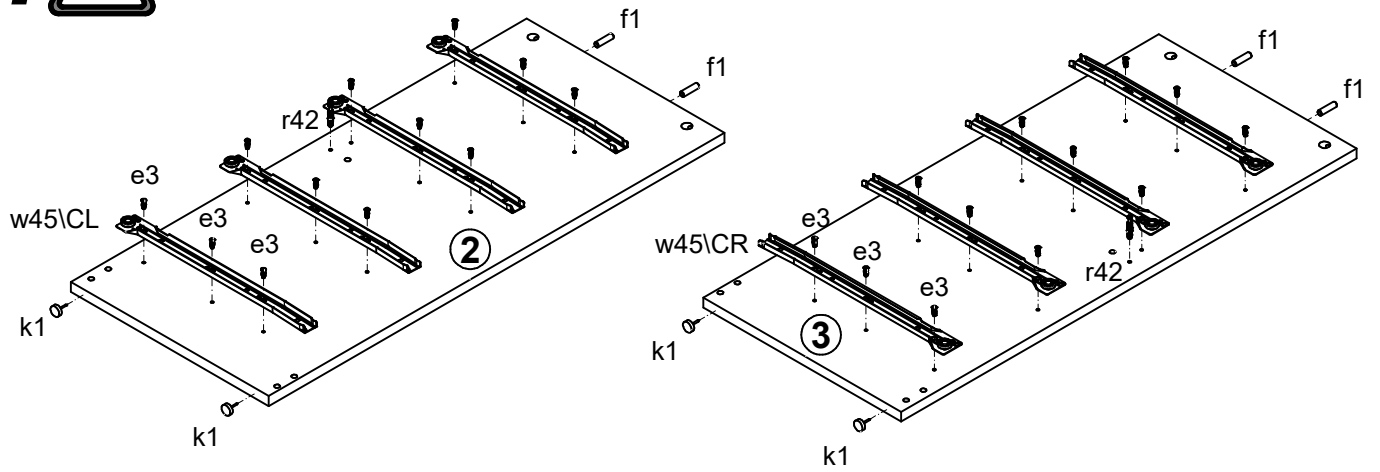


A	B	C	D	
1	S325-002	796	191	3/3
2	S325-114	853	370	1/3
3	S325-115	853	370	1/3
4	S325-205	800	395	2/3
5	S325-401	767	80	2/3
6	S325-407	767	70	2/3
7	S325-909	740	355	1/3
8	S325-910	804	793	1/3
9	ZS3-5645	718	120	1/3
10	ZS4-501	350	120	1/3
11	ZS4-502	350	120	1/3

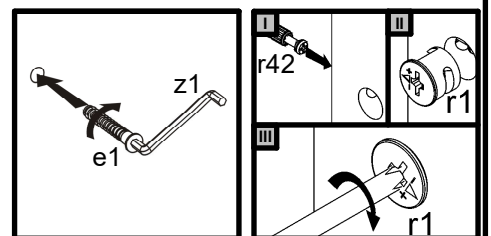
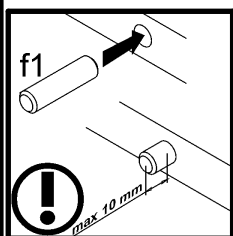
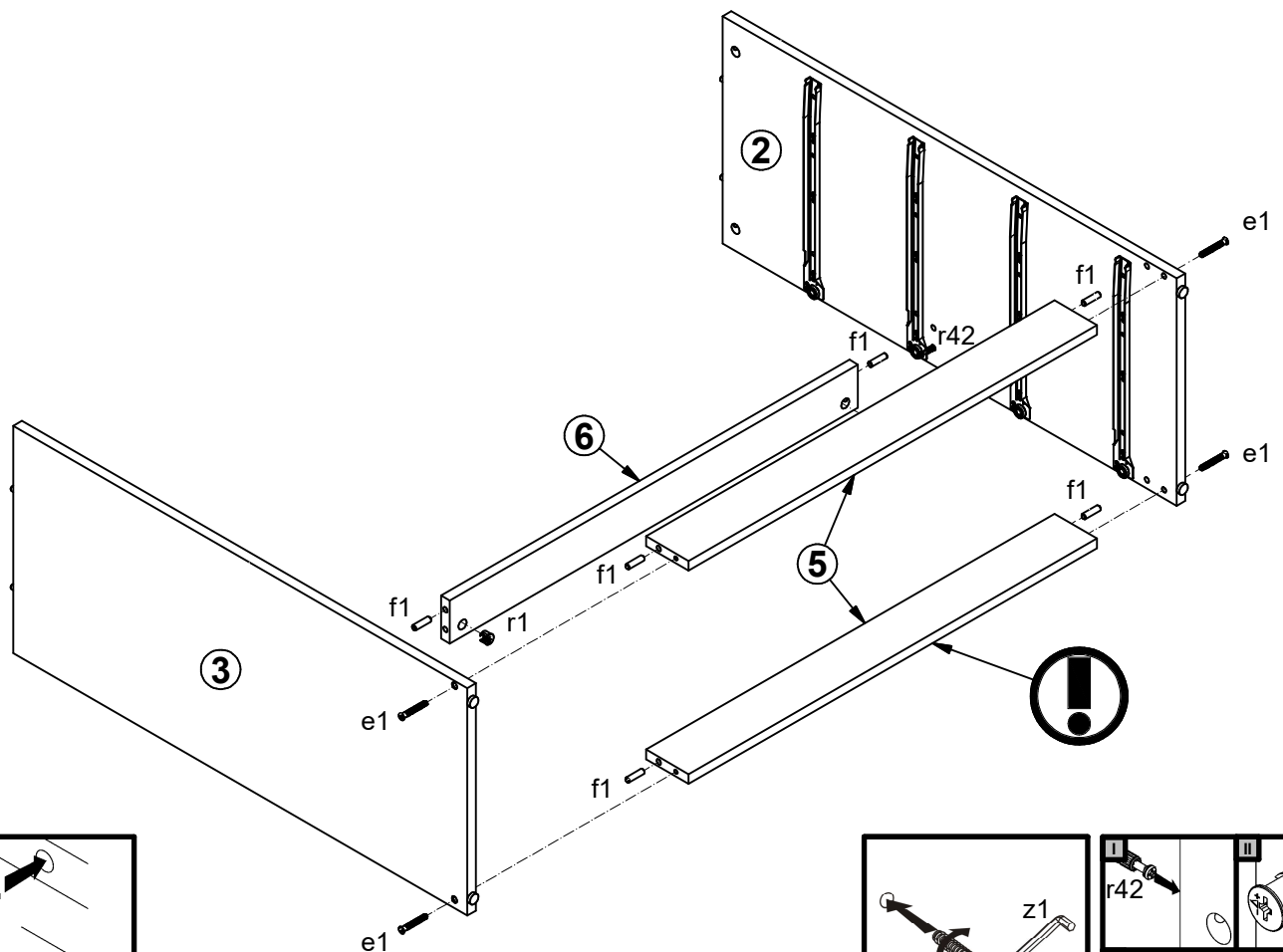


4x 64 mm c417	4x Ø7x50 mm e1	24x Ø6x13 mm e3	16x Ø5x9 mm e19	10x Ø8x30 mm f1	8x Ø6x30 mm f9	16x Ø6.5x40 mm f25	8x M4x22 mm j30	4x k1
25x l1	1x n26	8x silikon o21	4x Ø3.5x16 mm p25	4x Ø3.5x10 mm p35	31x Ø3.5x16 mm p38	6x Ø15x12 mm #16 r1	16x Ø12x10.5 mm #12 r15	22x 20x11 r42
4x s1	2x Ø16 s2	4x 350 mm t35	4x 350 mm w45\CL	4x 350 mm w45\CR	4x 350 mm w45\DL	4x 350 mm w45\DR	1x z1	

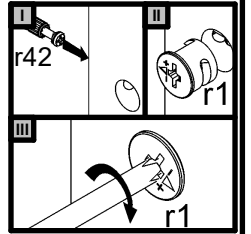
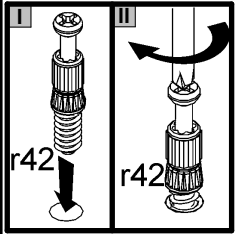
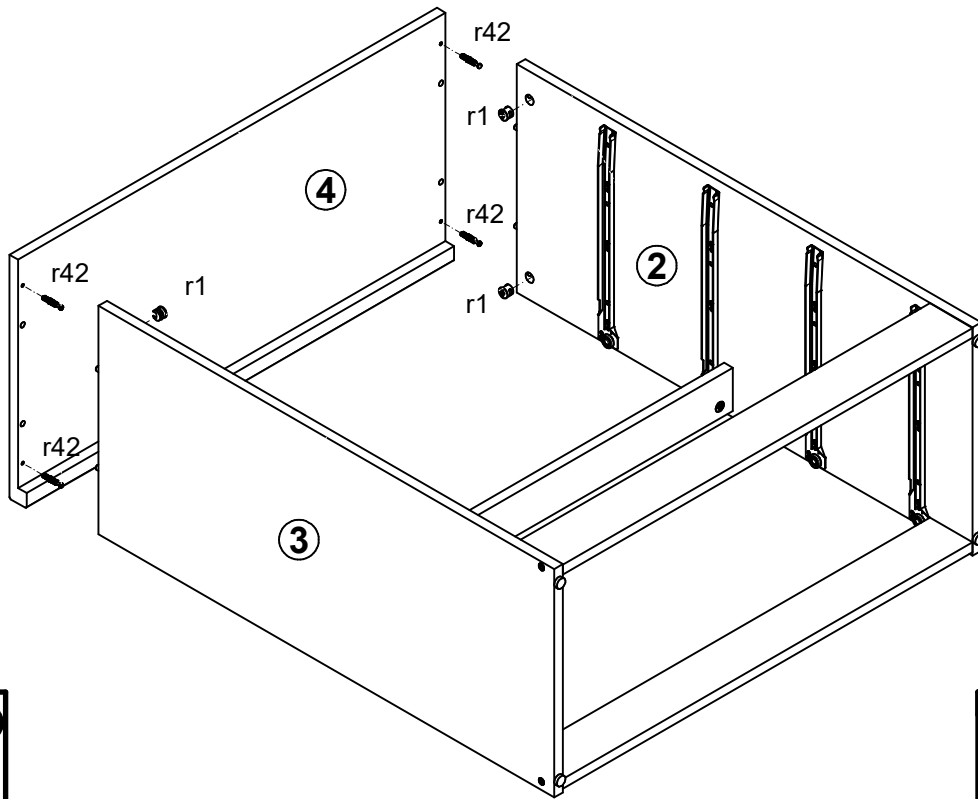
# 1



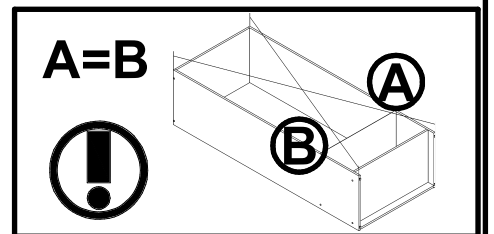
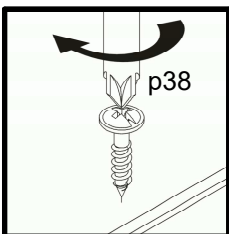
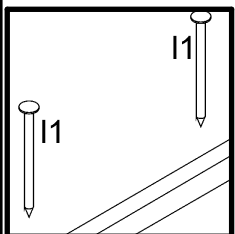
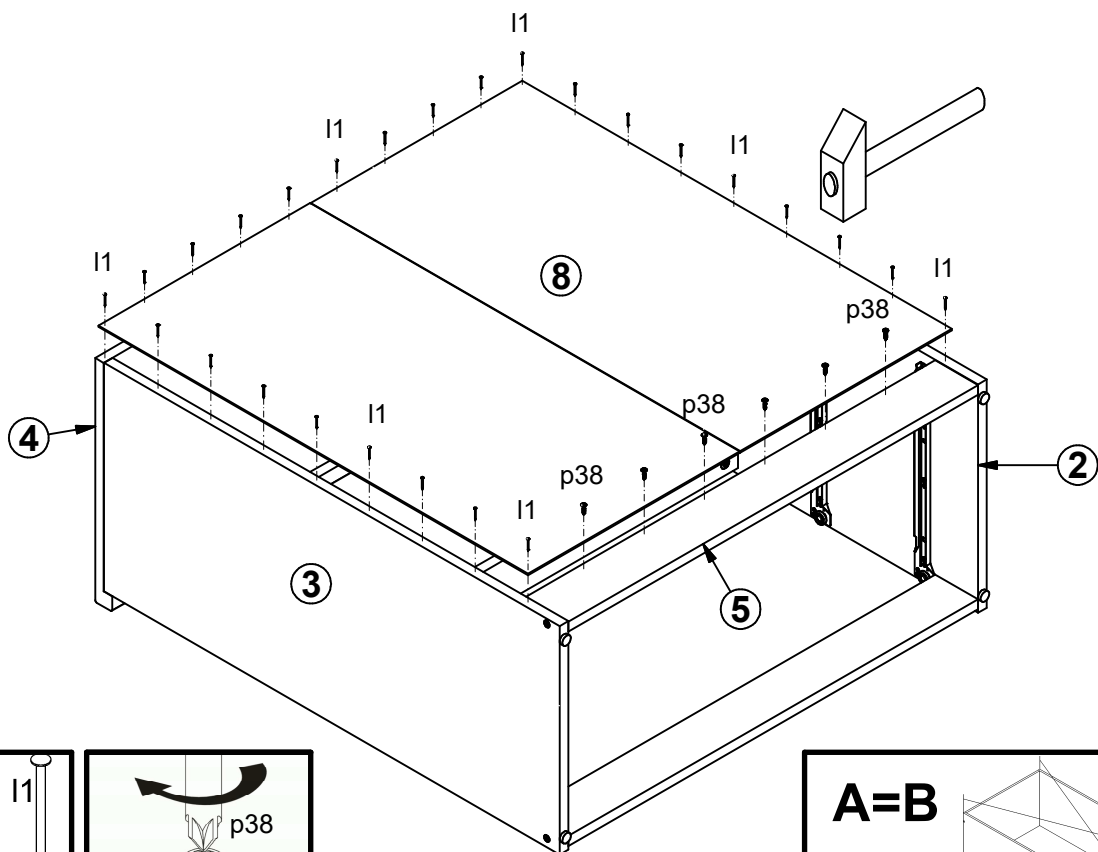
# 2



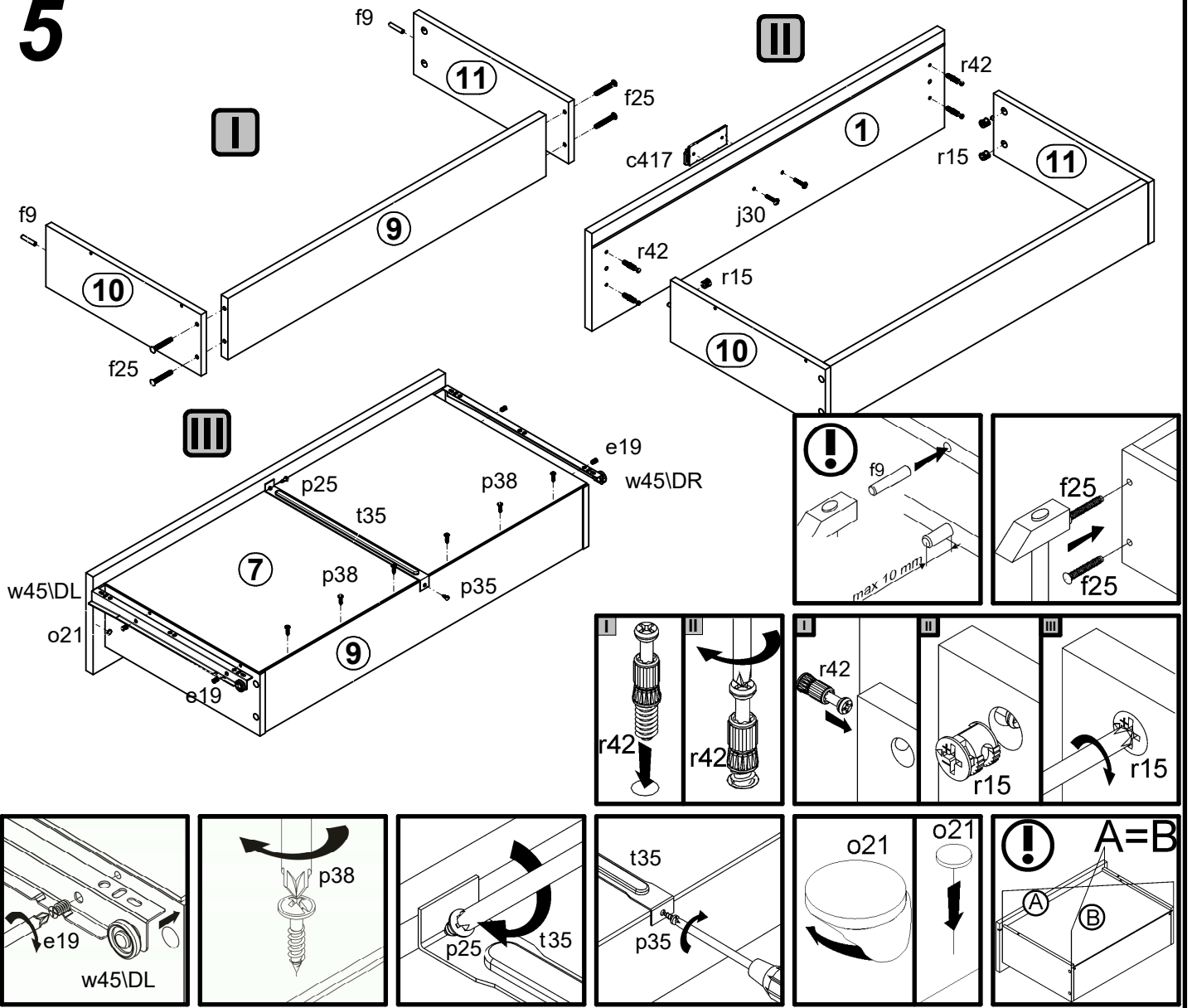
# 3



# 4



# 5



# 6

