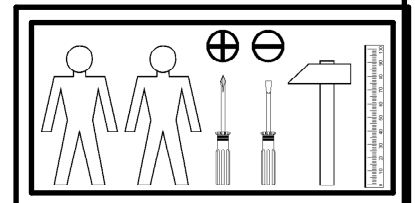
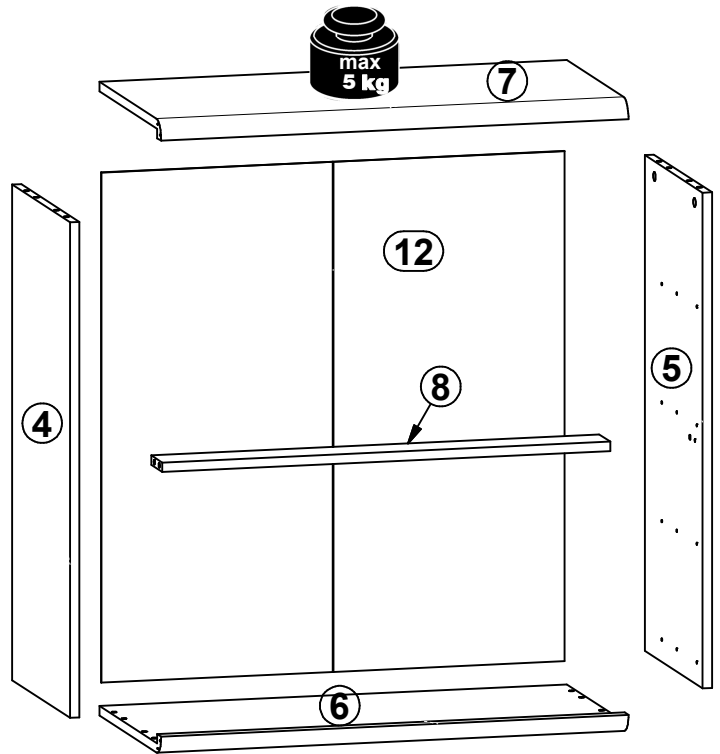
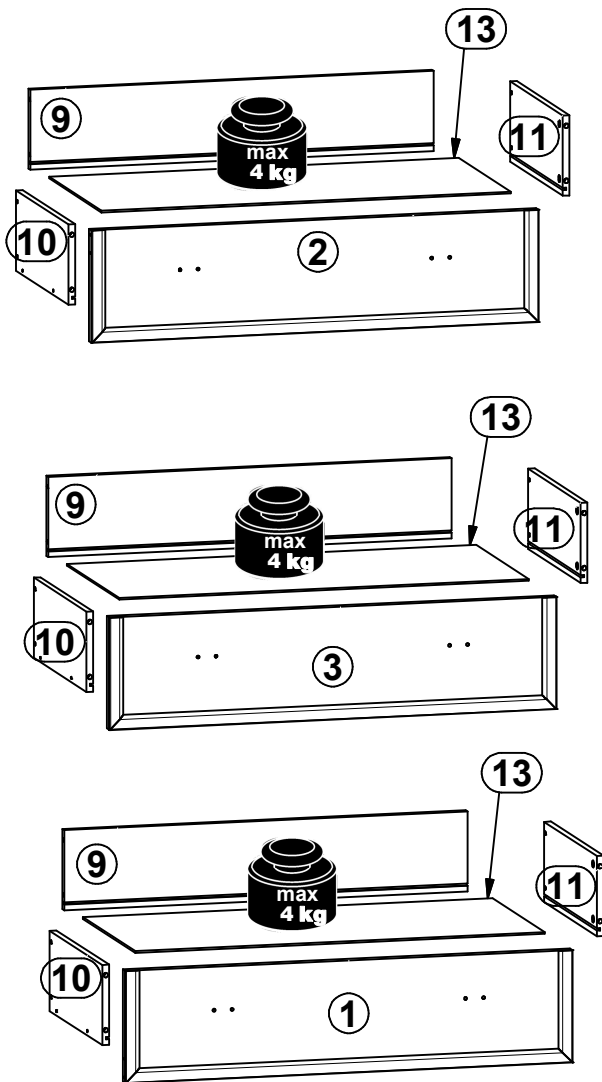
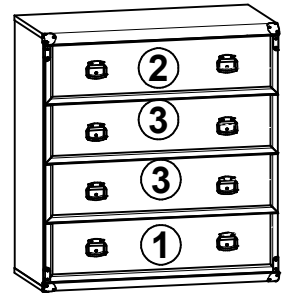
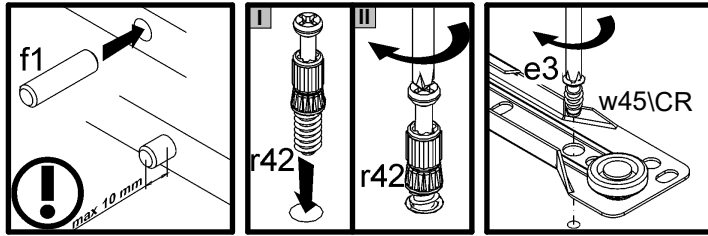
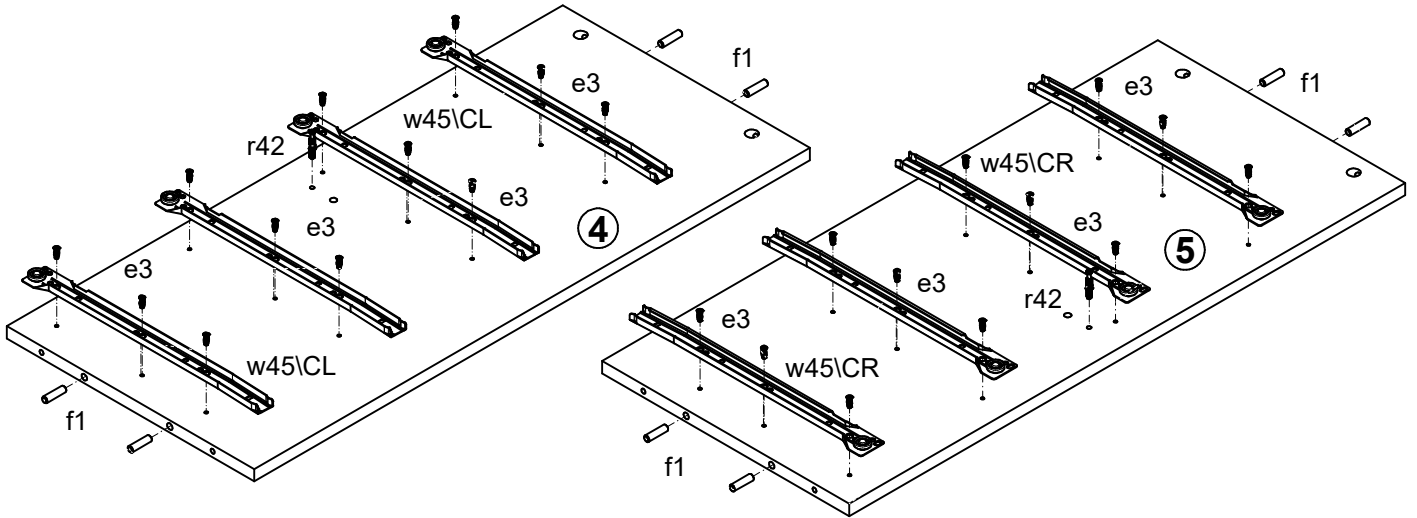


A	B	C	D	
1	S31-002	796	196	3/3
2	S31-003	796	196	3/3
3	S31-006	796	196	3/3
4	S31-109 A	832	370	1/3
5	S31-110 A	832	370	1/3
6	S31-207	800	395	2/3
7	S31-208	800	395	2/3
8	S31-431	767	70	1/3
9	S31-503	718	140	1/3
10	S31-504	350	140	1/3
11	S31-505	350	140	1/3
12	S31-909	856	793	1/3
13	S31-910	729	348	1/3

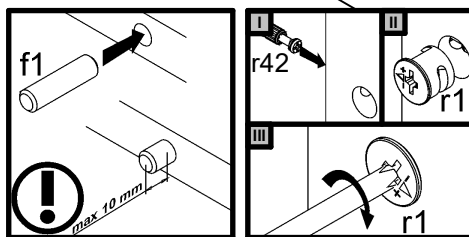
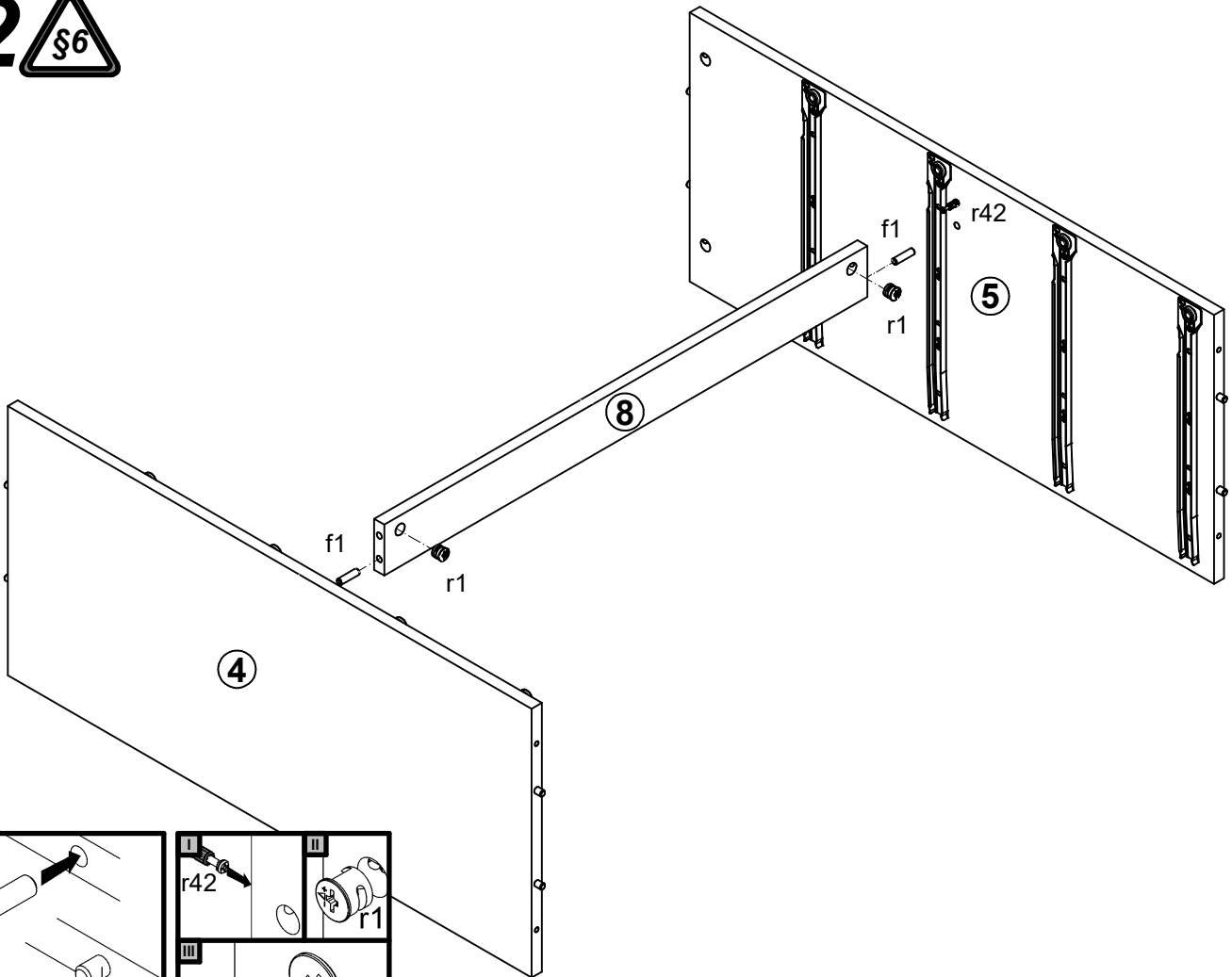


8x  c158	4x  Ø7x50 mm e1	16x  Ø5x9 mm e19	24x  Ø6x13 mm e3	10x  Ø8x30 mm f1	16x  Ø6.5x40 mm f25	16x  M4x22 mm j30	4x  Ø15 k22	35x  l1
4x  l27	2x  l28/L	2x  l28/P	8x  Ø3.5x16 mm p25	16x  Ø3x12 mm p83	6x  Ø15x12 mm #16 r1	16x  Ø12x10.5 mm #12 r15	22x  20/11 r42	4x  333 mm t19
4x  350 mm w45/CL	4x  350 mm w45/CR	4x  350 mm w45/DL	4x  350 mm w45/DR	2x  Ø16 s2	1x  4 mm z1			
							1x  n26/l1	1x  Ø3.5x16 mm p38

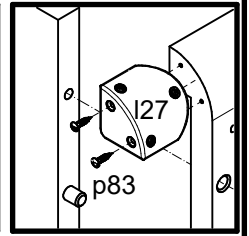
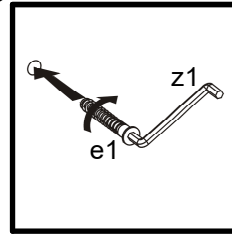
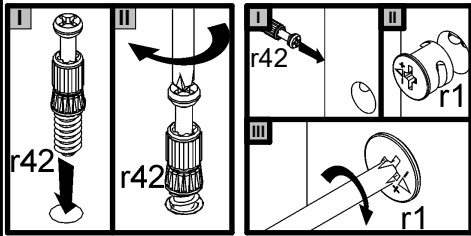
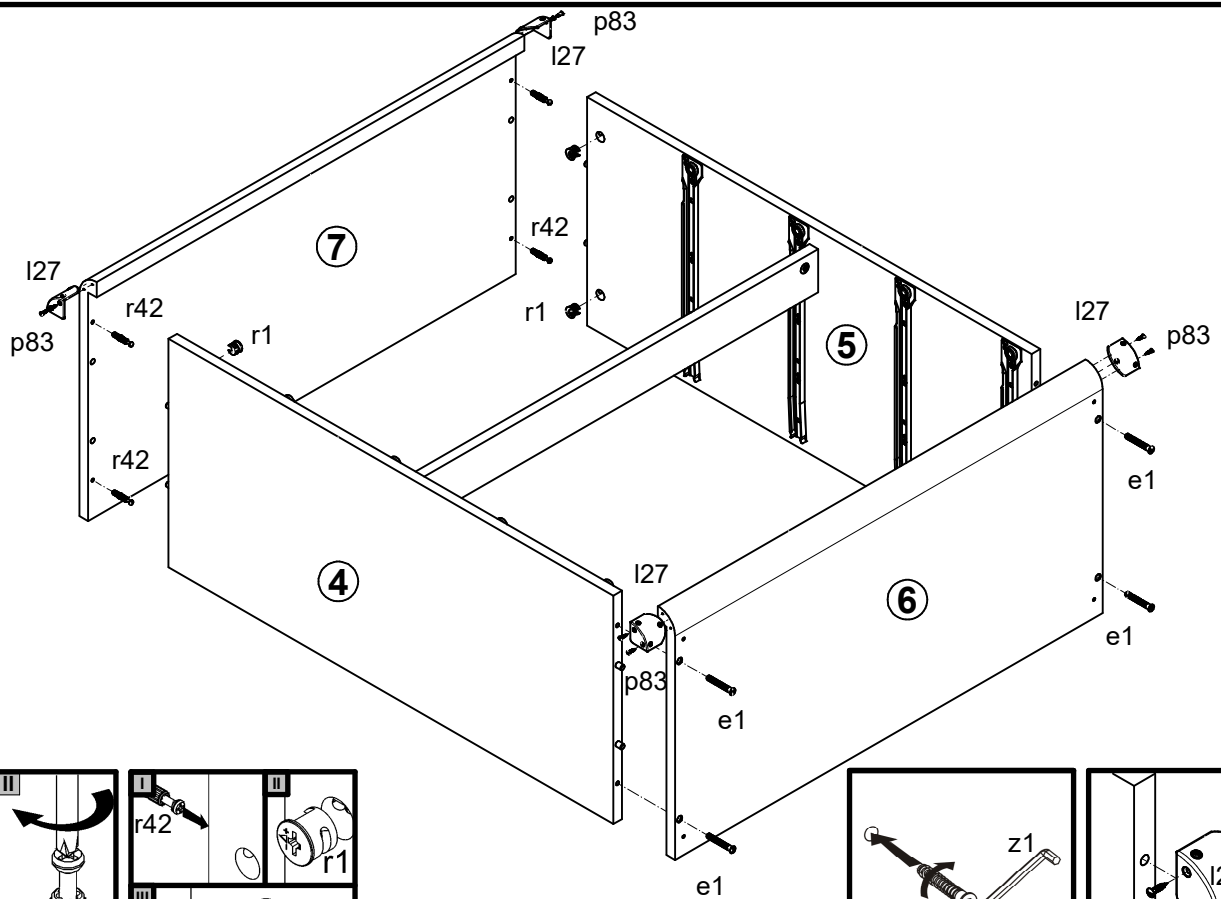
# 1



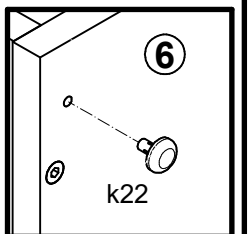
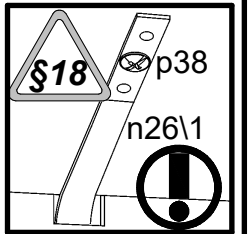
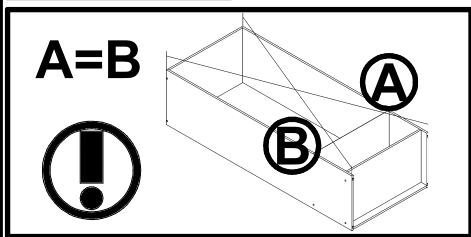
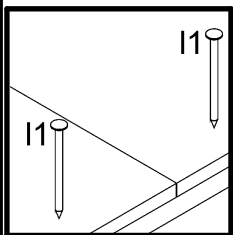
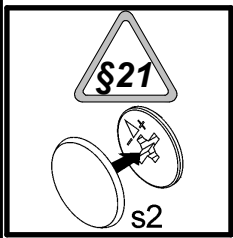
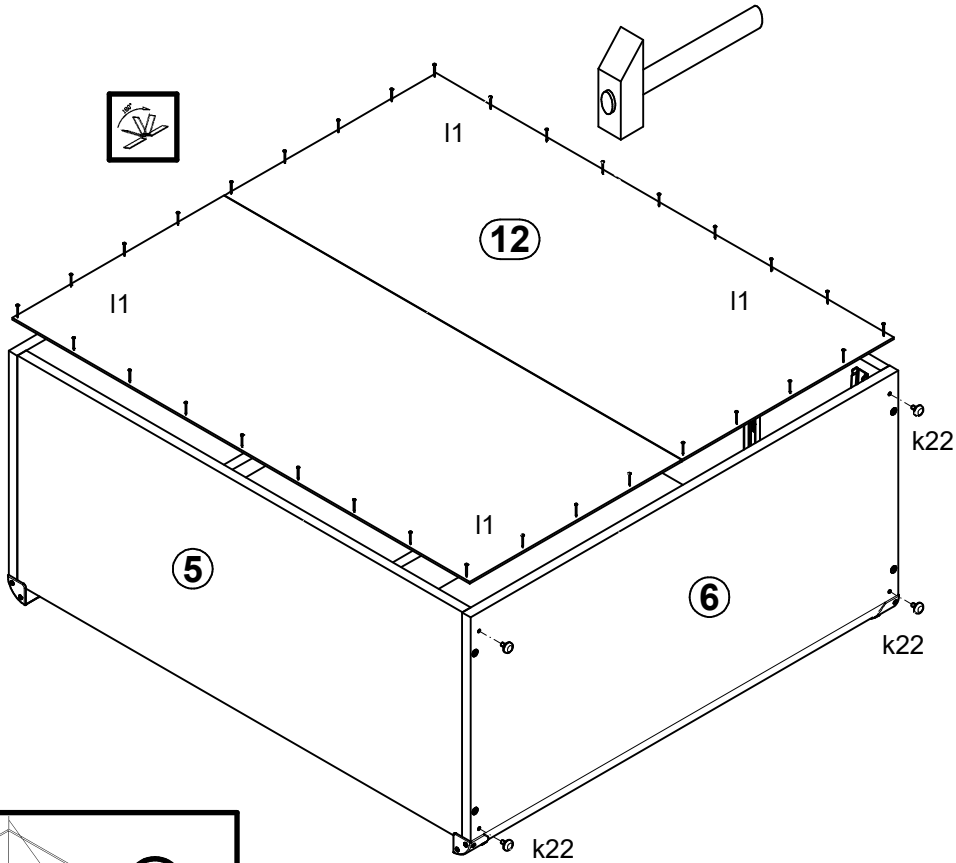
# 2



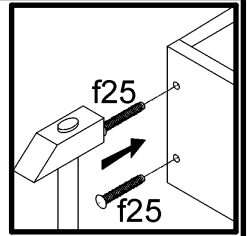
# 3



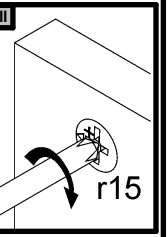
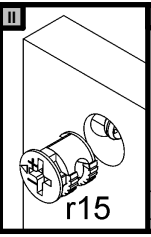
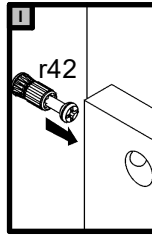
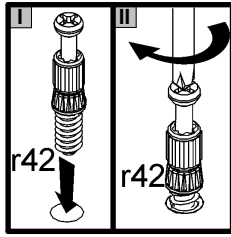
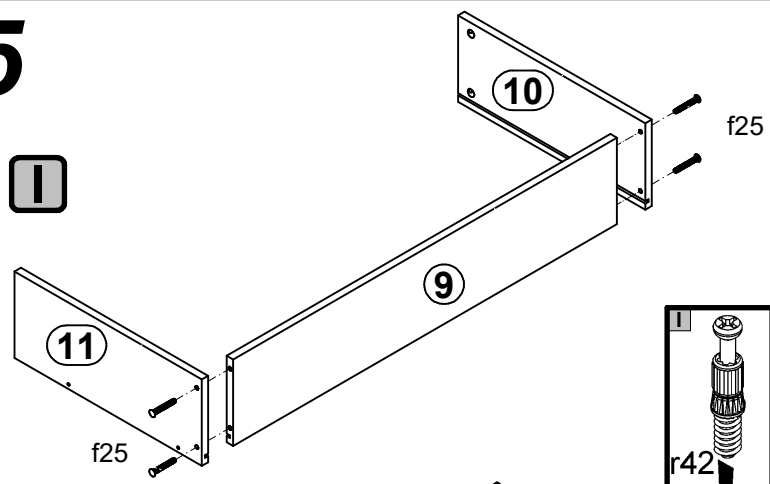
# 4



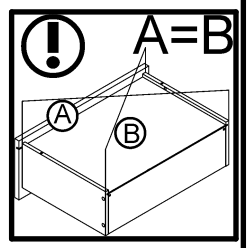
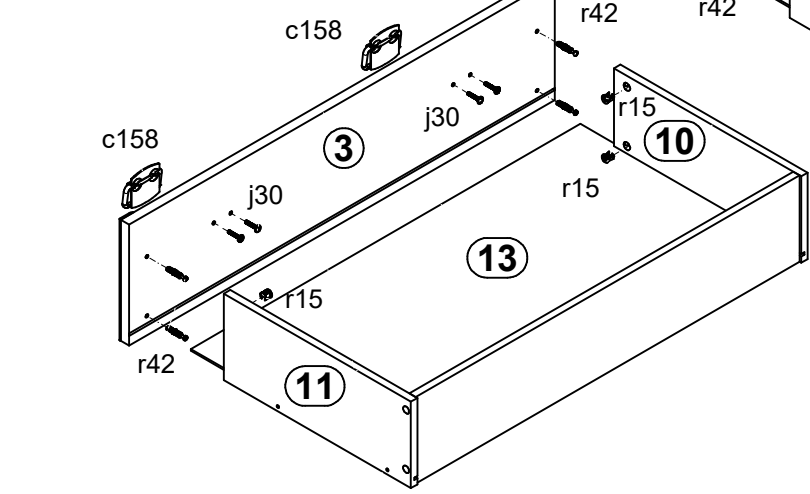
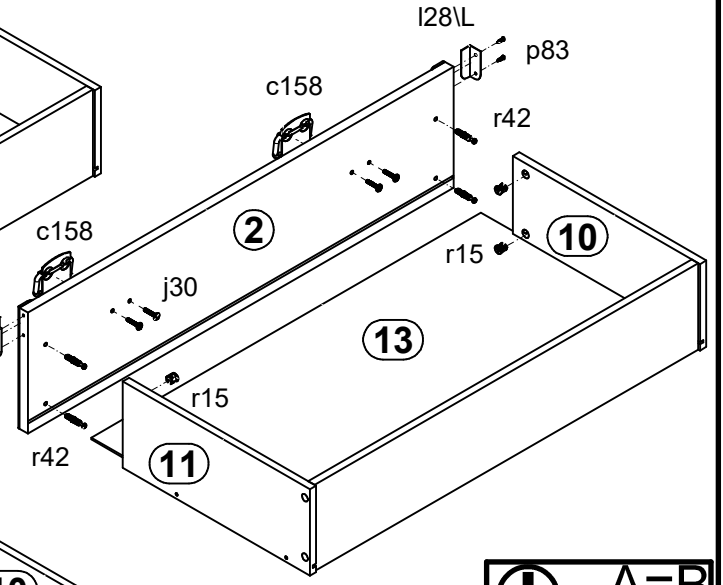
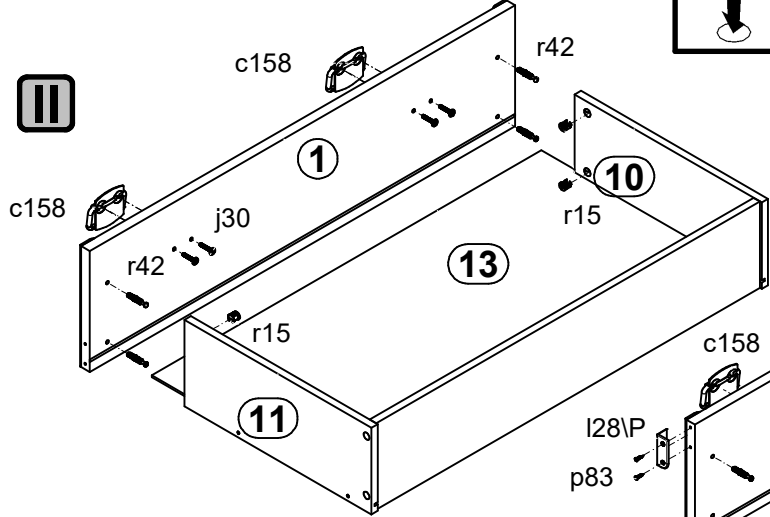
# 5



I



II



III

