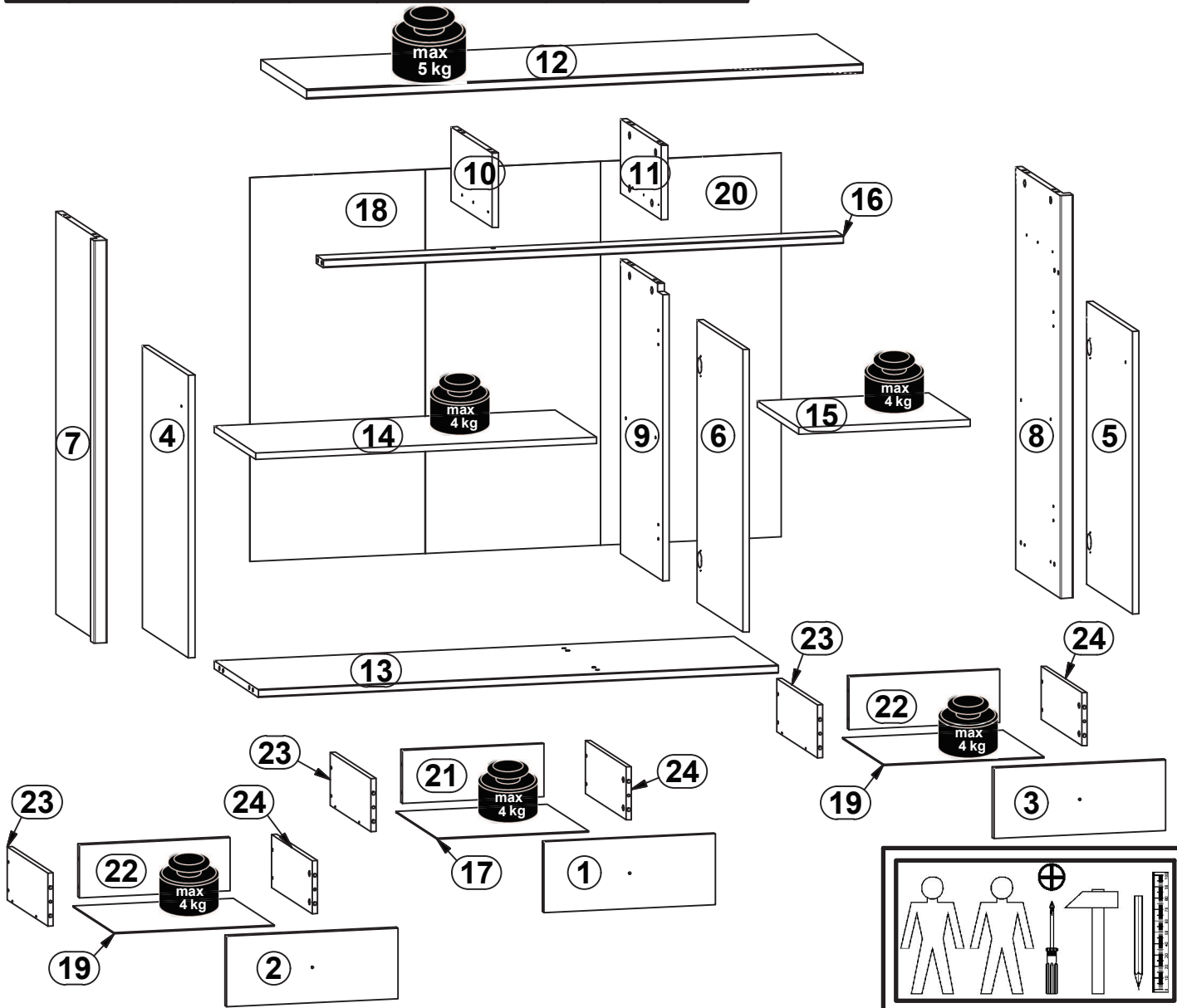
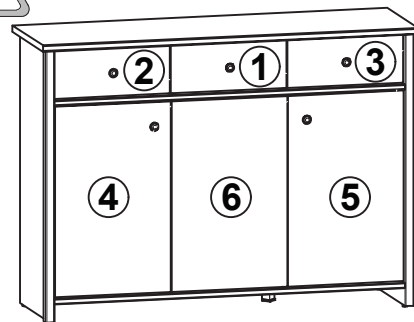
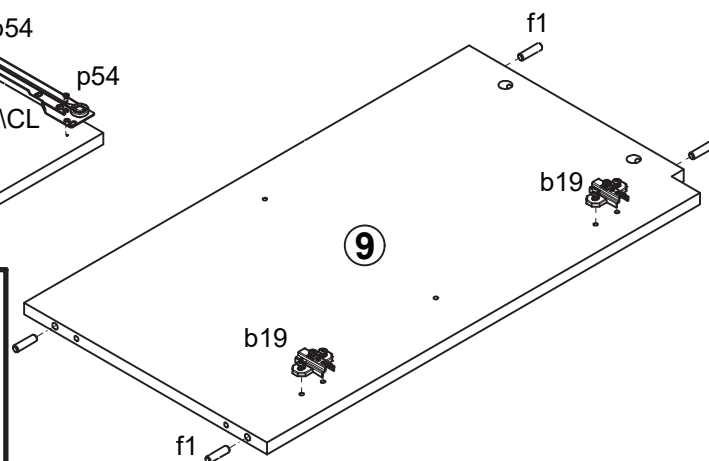
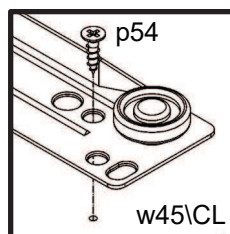
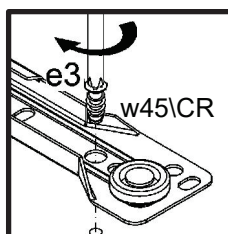
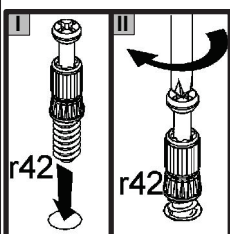
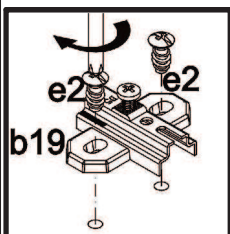
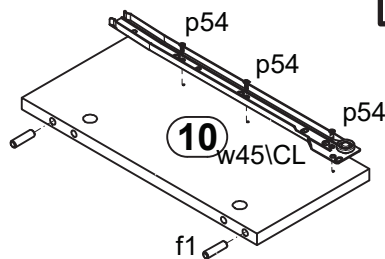
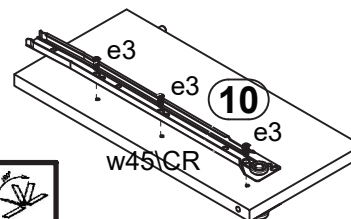
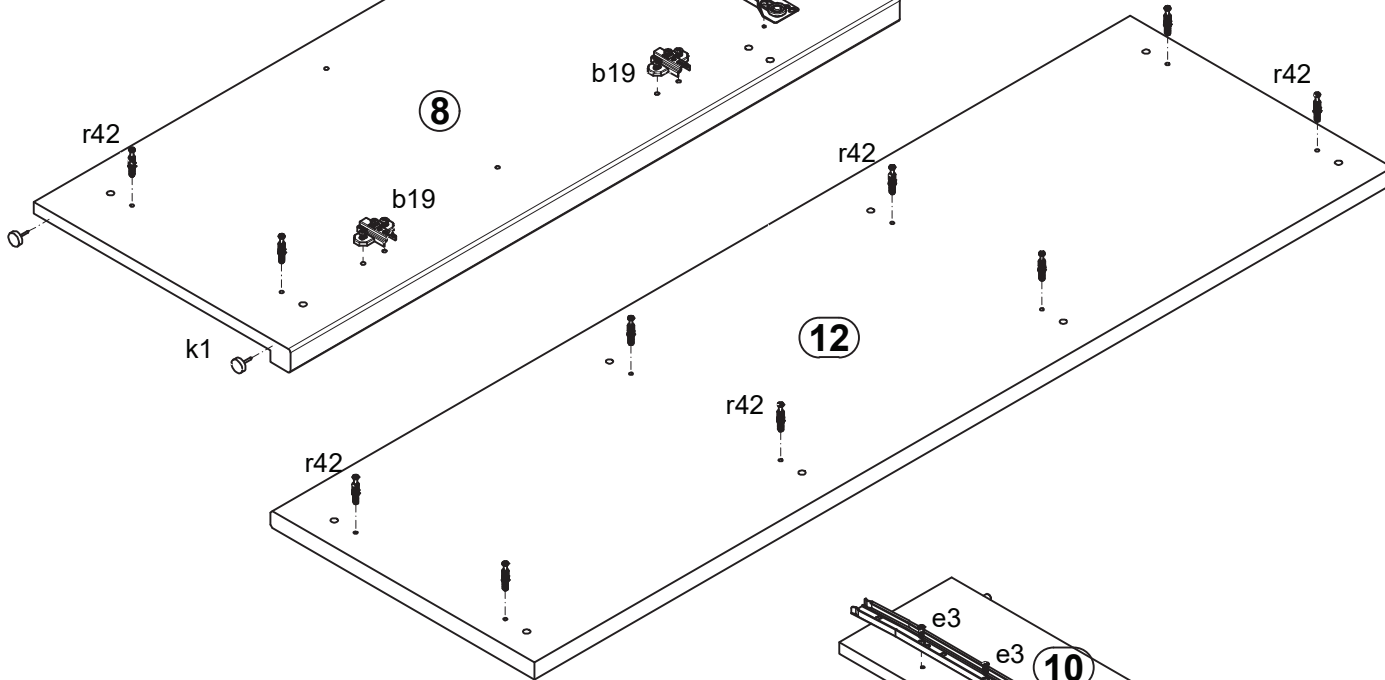
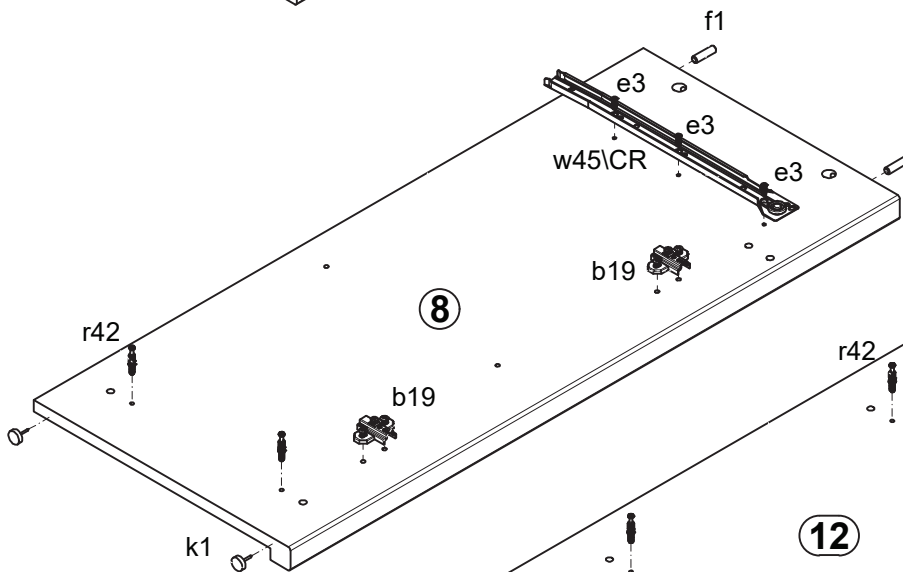
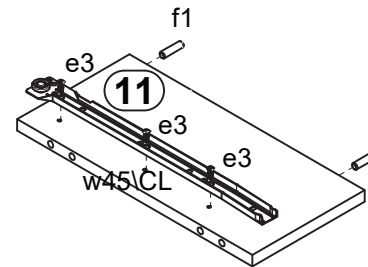
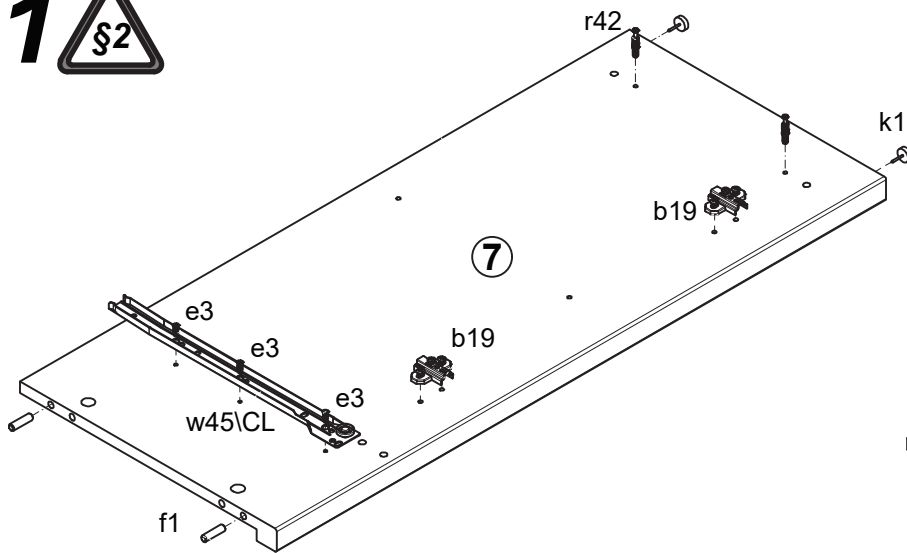
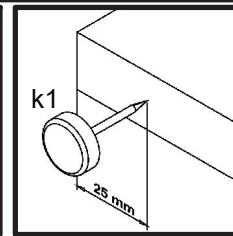
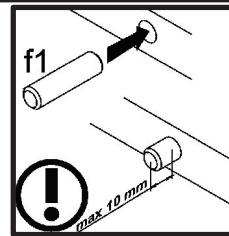


| A | B | C | D | A | B | C | D | | |
|----|----------|------|-----|-----|----|----------|------|-----|-----|
| 1 | S322-009 | 396 | 160 | 3/3 | 13 | S322-306 | 1200 | 381 | 2/3 |
| 2 | S322-010 | 396 | 160 | 3/3 | 14 | S322-307 | 787 | 357 | 2/3 |
| 3 | S322-011 | 396 | 160 | 3/3 | 15 | S322-308 | 396 | 357 | 2/3 |
| 4 | S322-012 | 640 | 396 | 3/3 | 16 | S322-408 | 1200 | 60 | 2/3 |
| 5 | S322-013 | 640 | 396 | 3/3 | 17 | S322-912 | 349 | 355 | 2/3 |
| 6 | S322-034 | 640 | 396 | 3/3 | 18 | S322-914 | 869 | 809 | 2/3 |
| 7 | S322-111 | 912 | 384 | 1/3 | 19 | S322-915 | 370 | 355 | 2/3 |
| 8 | S322-112 | 912 | 384 | 1/3 | 20 | S322-916 | 869 | 417 | 2/3 |
| 9 | S322-113 | 666 | 363 | 1/3 | 21 | ZS3-5587 | 327 | 120 | 1/3 |
| 10 | S322-114 | 168 | 352 | 1/3 | 22 | ZS3-5624 | 348 | 120 | 1/3 |
| 11 | S322-115 | 168 | 352 | 1/3 | 23 | ZS4-501 | 350 | 120 | 1/3 |
| 12 | S322-205 | 1284 | 395 | 2/3 | 24 | ZS4-502 | 350 | 120 | 1/3 |

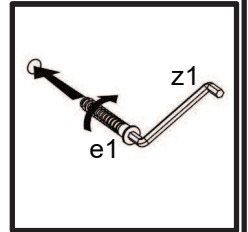
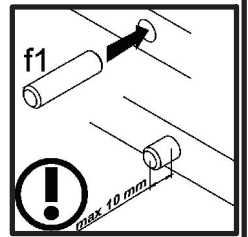
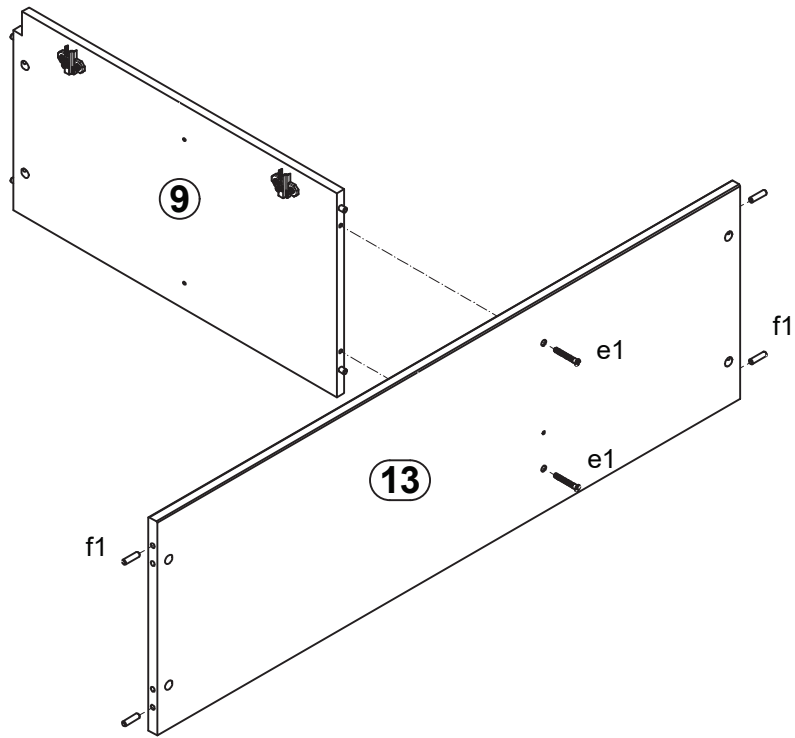


| | | | | | | | | |
|--------------------------|--------------------------|-------------------------|----------------------------|-------------------------------|------------------------|-------------------------------|----------------------------|------------------------|
| 4x K16 a43 | 2x K0 a44 | 6x b19 | 5x M4 c415 | 8x Ø5x17 mm d1 | 2x Ø6,3x15 mm d4 | 3x Ø7x50 mm e1 | 1x Ø6,3x13 mm e2 | 12x Ø6x13 mm e3 |
| 12x Ø5x9 mm e19 | 20x Ø8x30 mm f1 | 6x Ø6x30 mm f9 | 12x Ø6,5x40 mm f25 | 5x M4x20 mm j1 | 4x k1 | 1x 42,5x42,514 mm k3813 | 1x 30x30x60 mm k3818 | 65x l1 |
| 13x Ø3,5x16 mm p38 | 12x Ø3,5x15 mm p51 | 6x Ø3x12 mm p54 | 16x Ø15x12 mm #16 r1 | 12x Ø12x10,5 mm #12 r15 | 24x 20/11 r42 | 2x 40 mm r51 | 3x 350 mm w45\CL | 3x 350 mm w45\CR |
| 3x 350 mm w45\DL | 3x 350 mm w45\DR | 1x Ø3,5x16 mm p38 | 1x z1 | 1x n26\1 | 2x Ø16 s2 | | | |

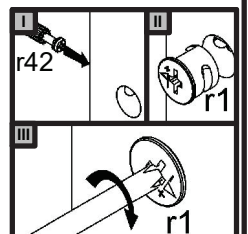
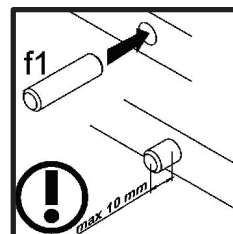
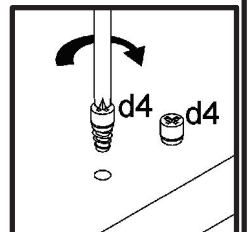
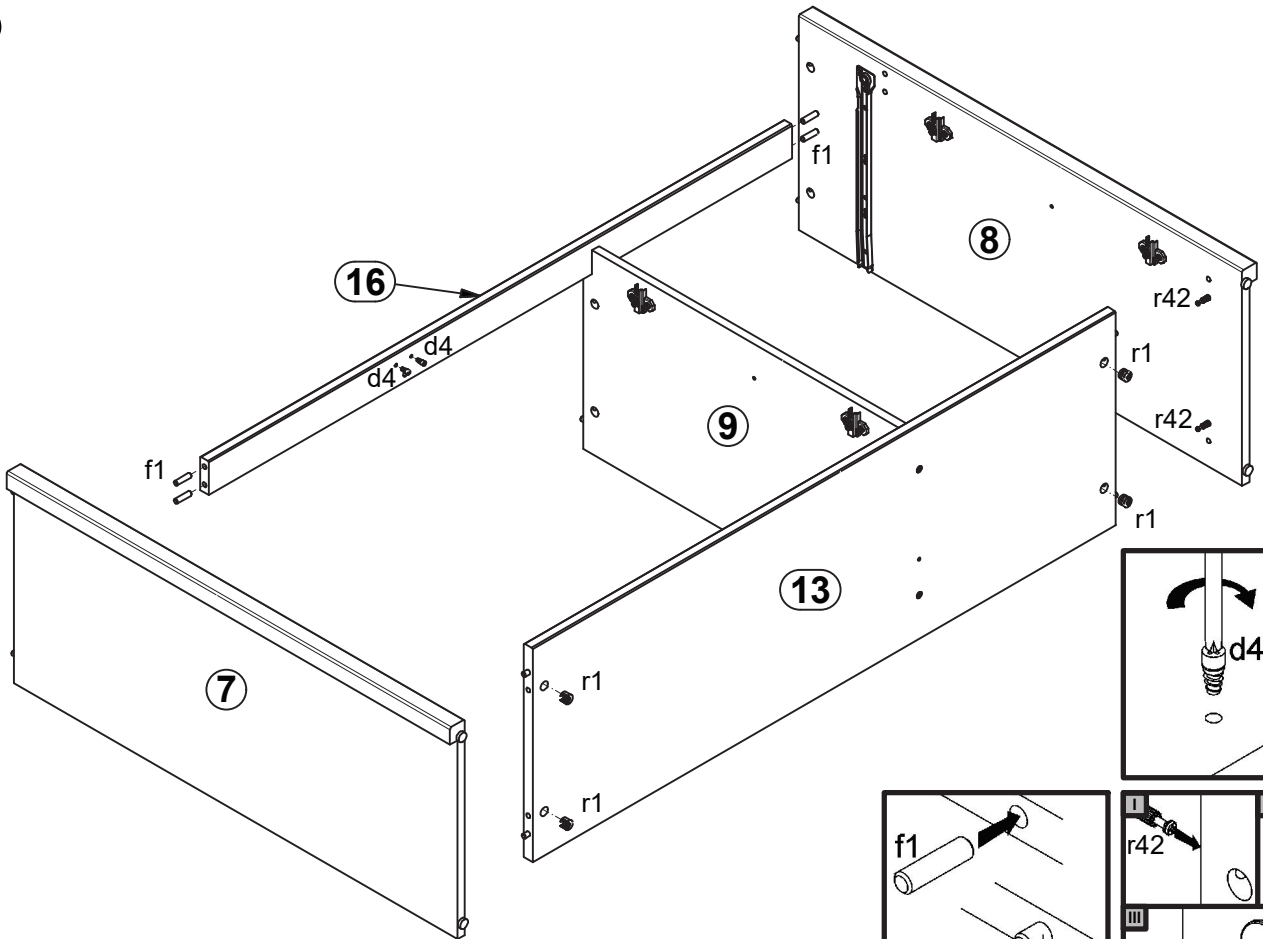
1 



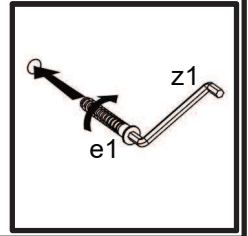
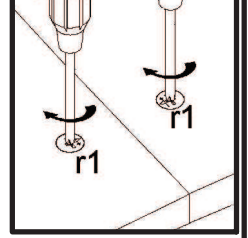
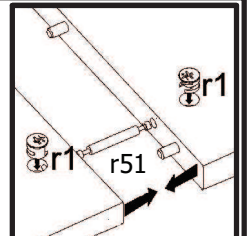
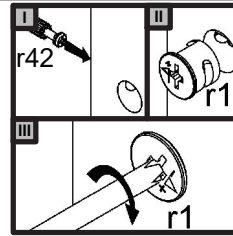
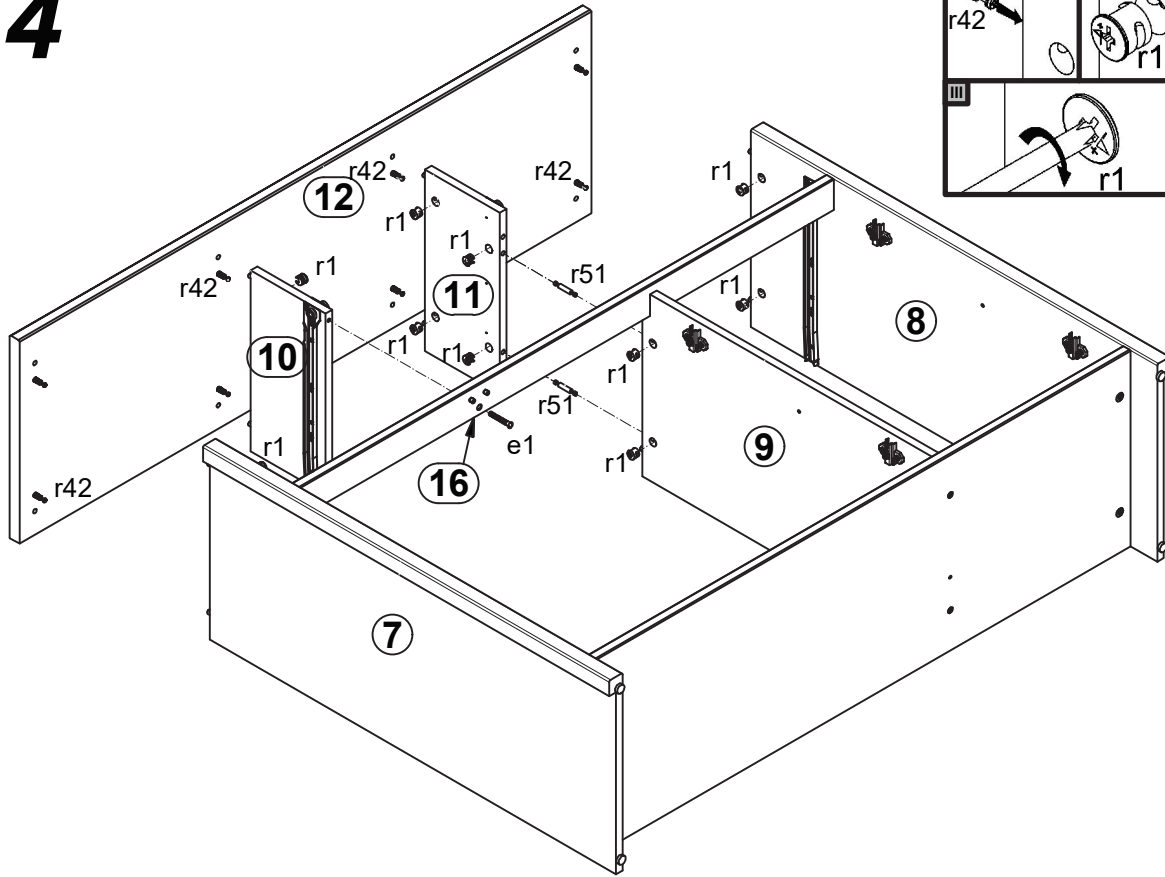
2



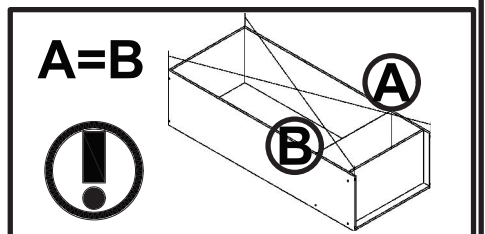
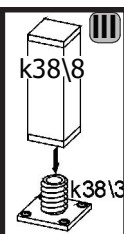
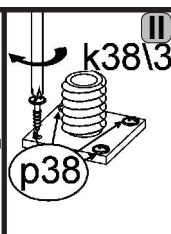
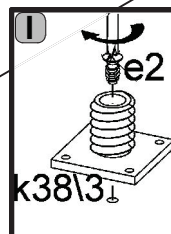
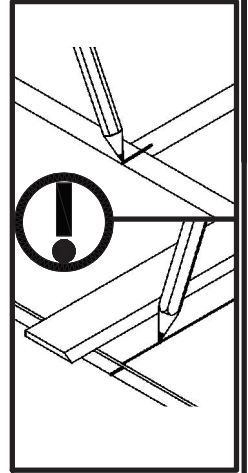
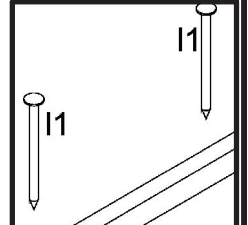
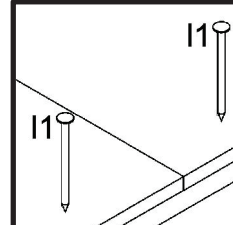
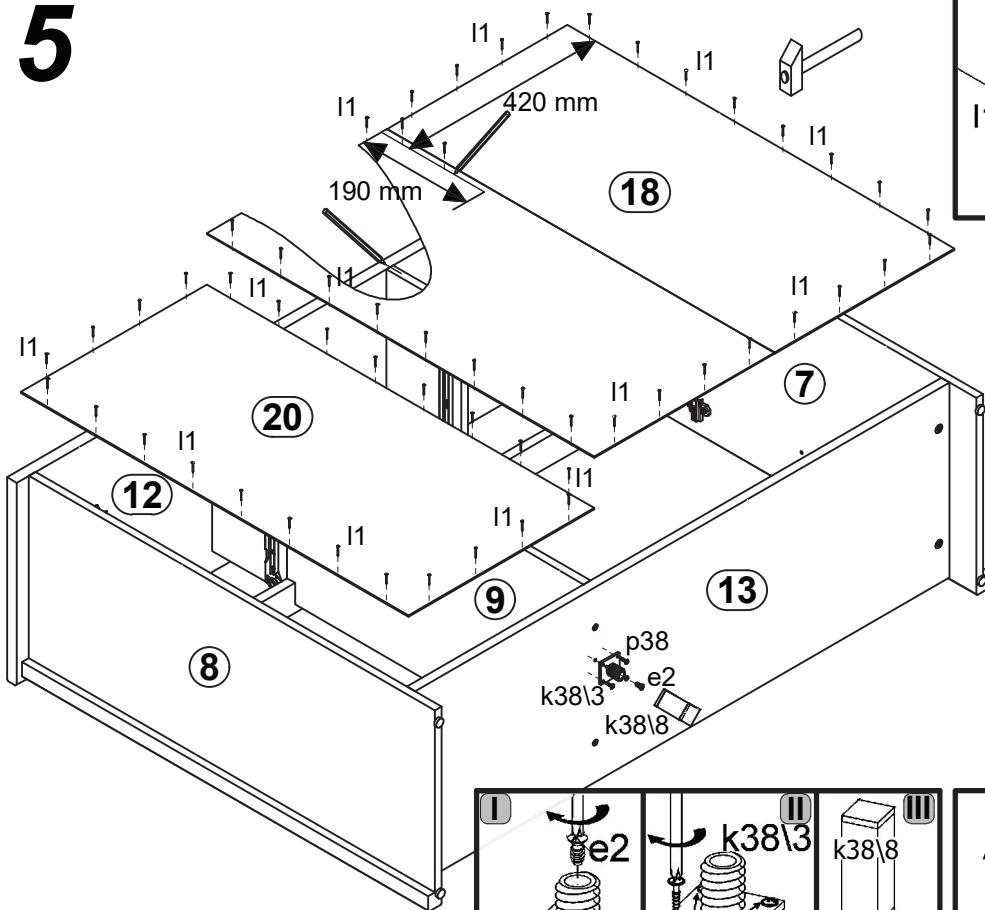
3



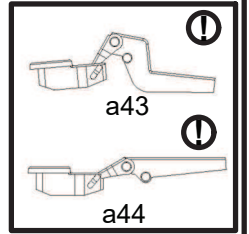
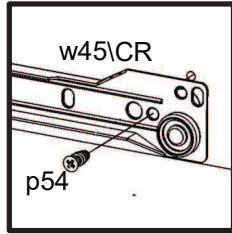
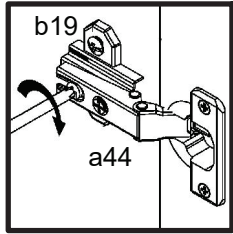
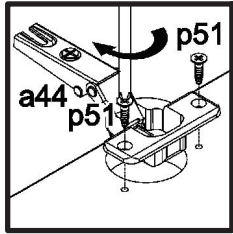
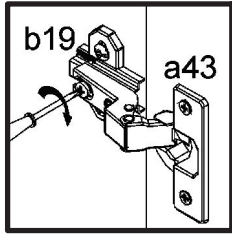
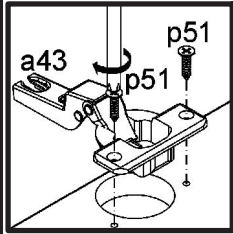
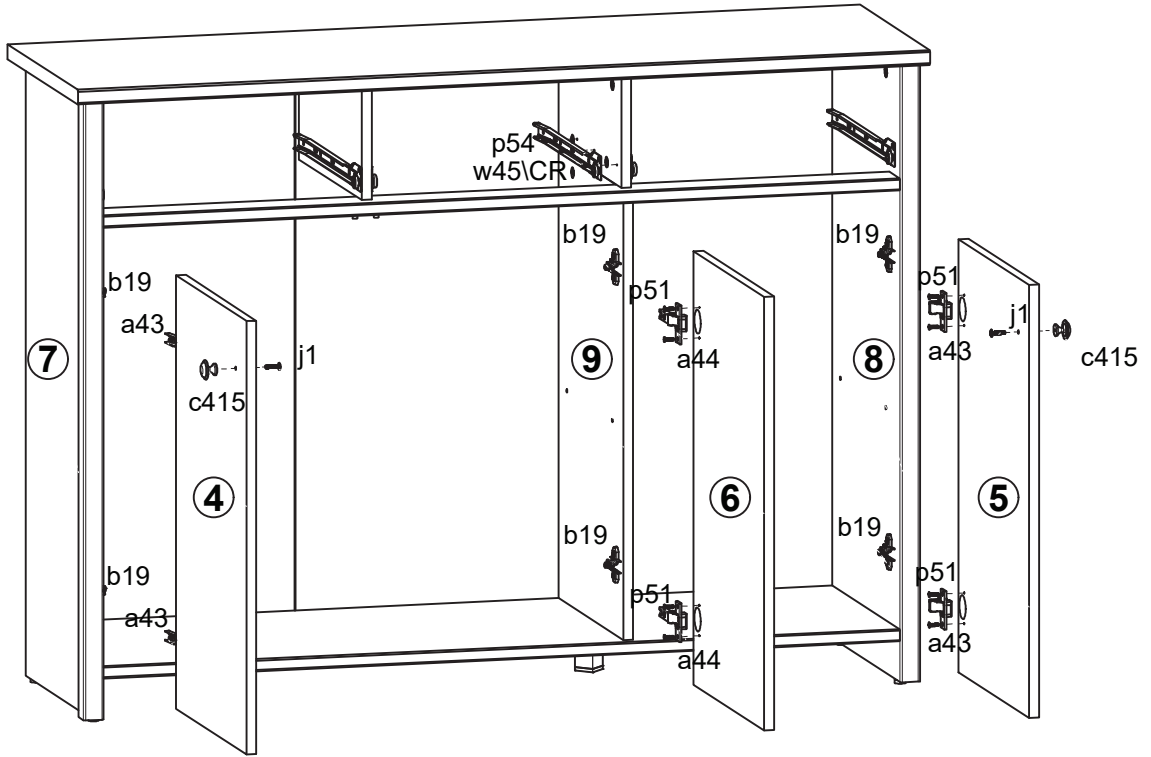
4



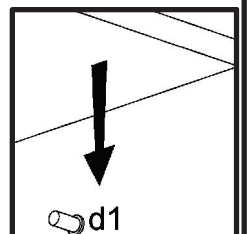
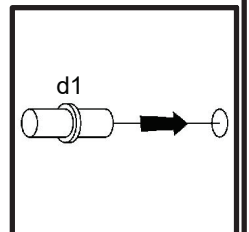
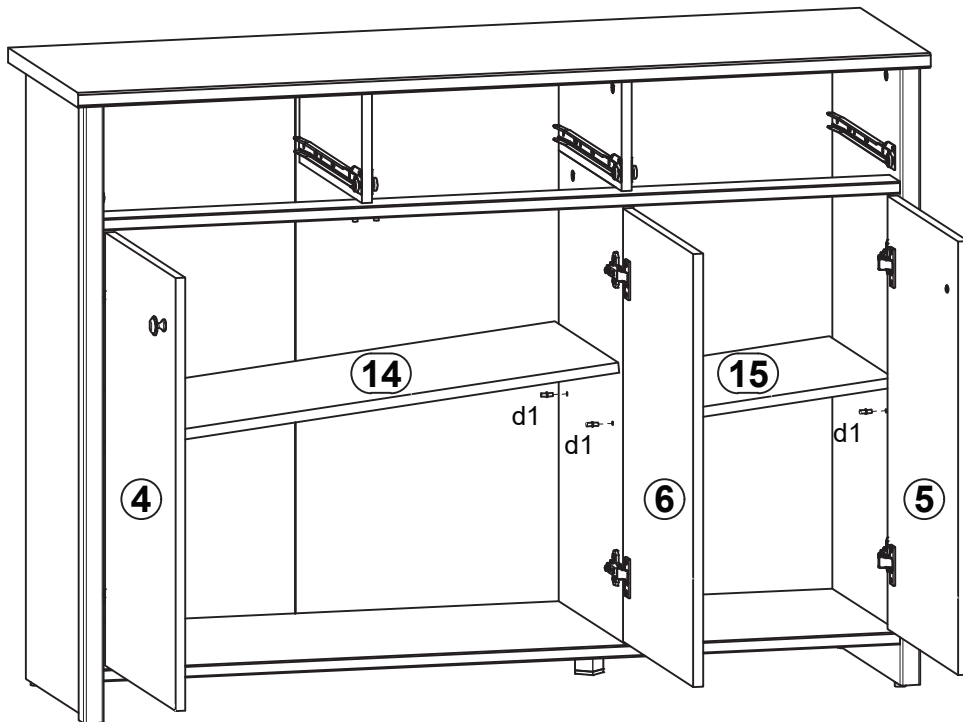
5



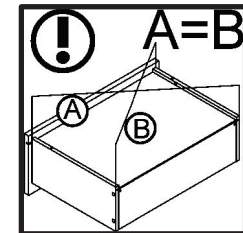
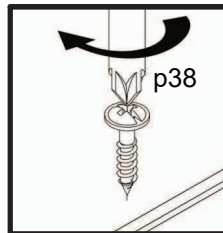
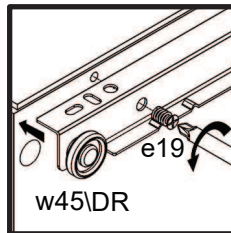
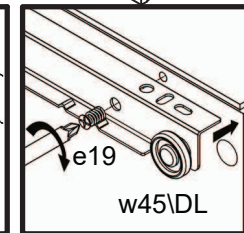
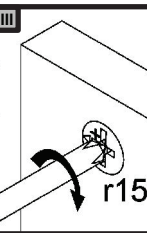
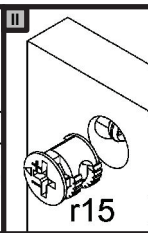
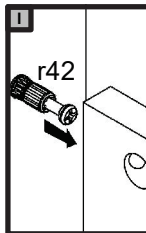
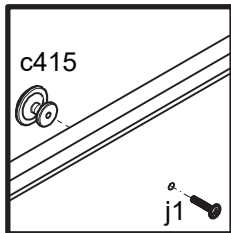
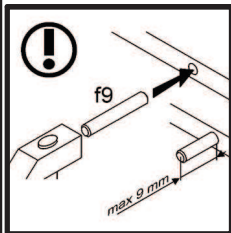
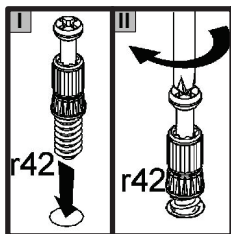
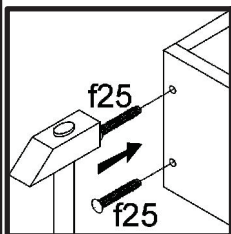
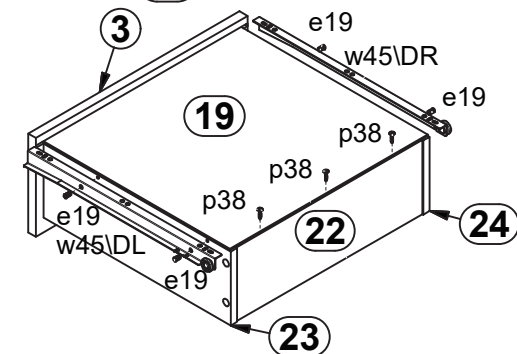
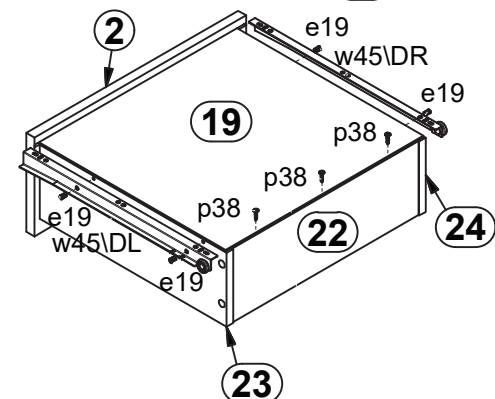
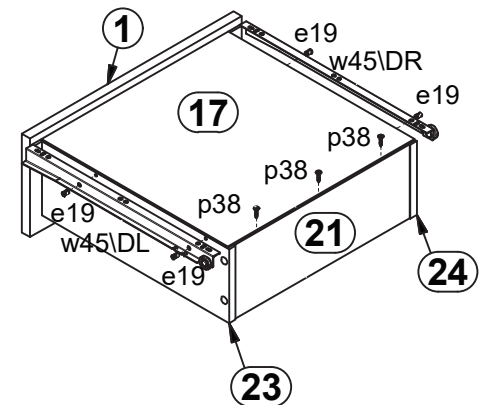
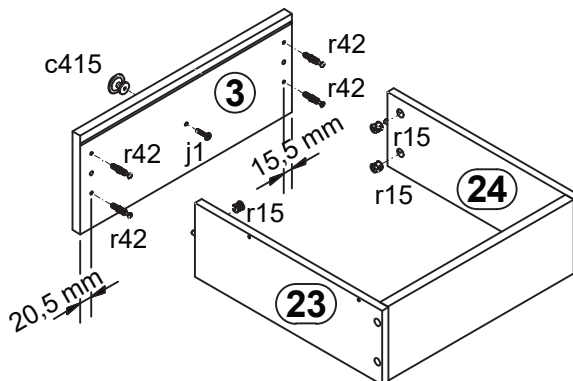
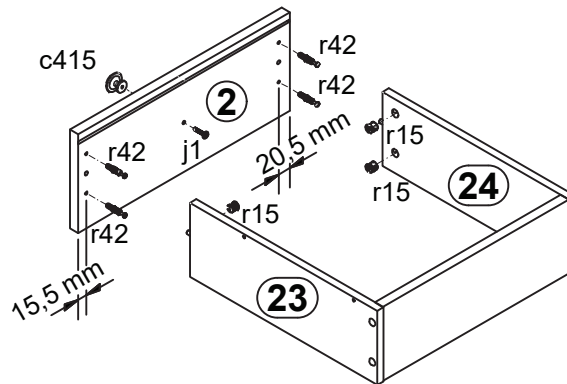
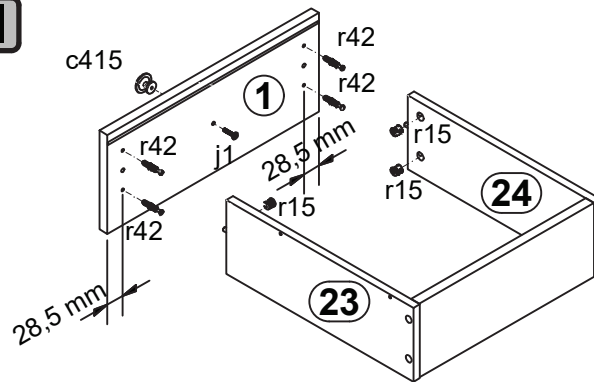
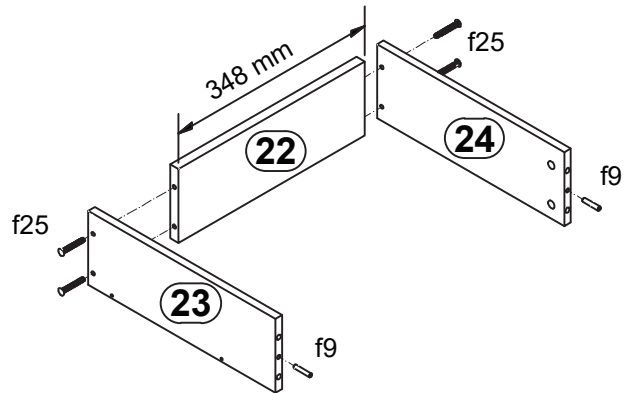
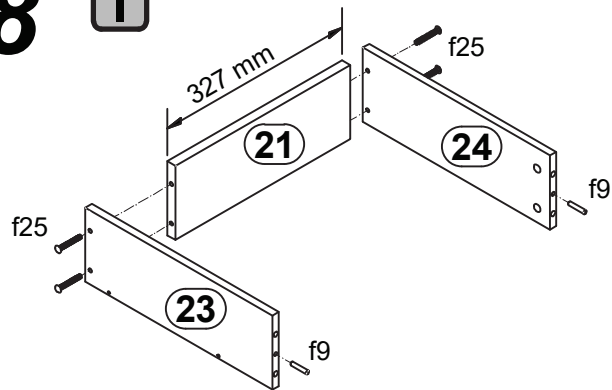
6



7



8



9

