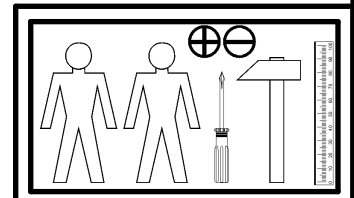
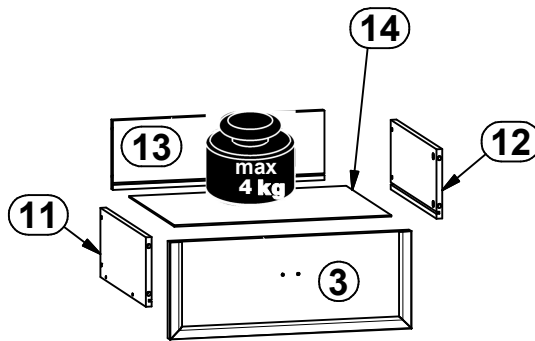
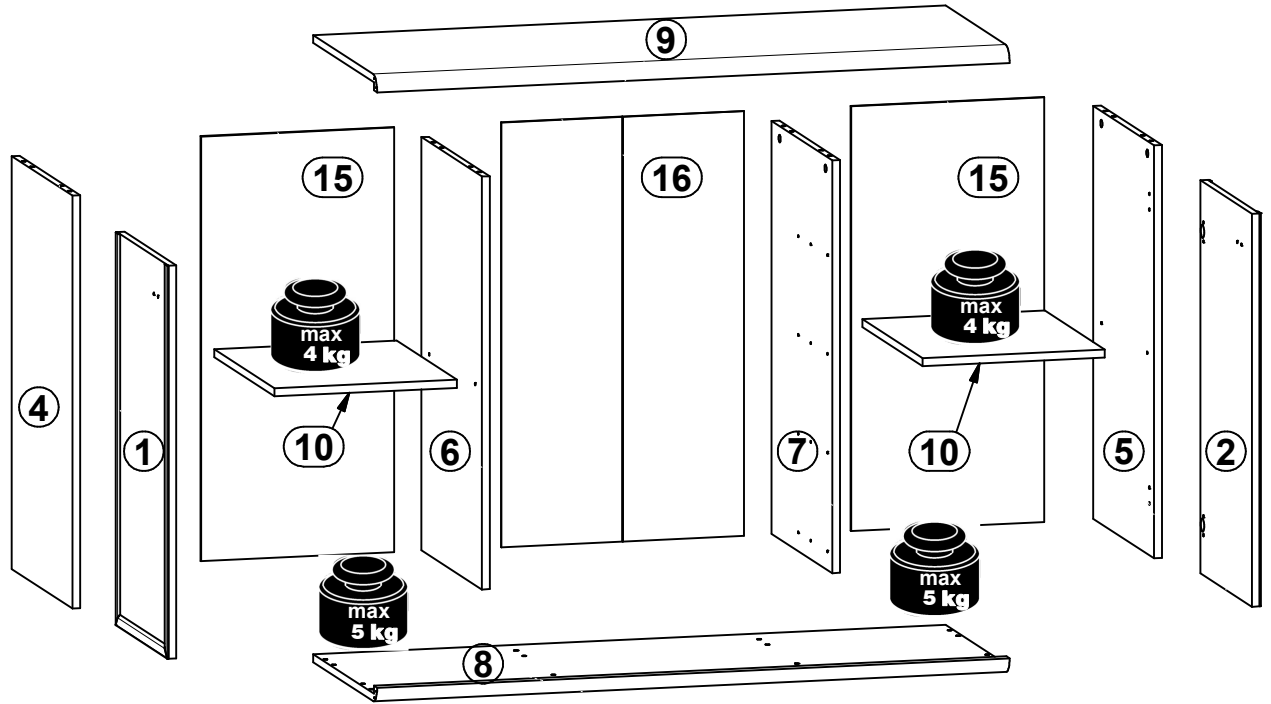


A

INDIANA

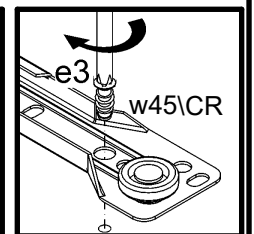
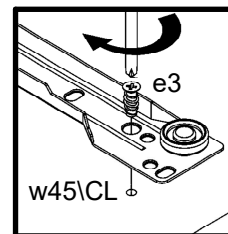
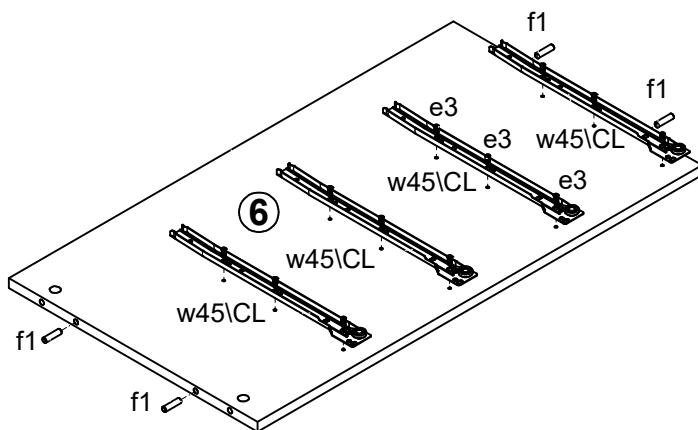
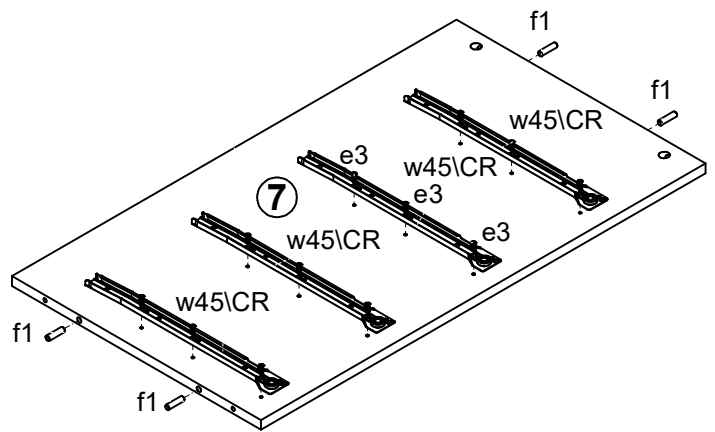
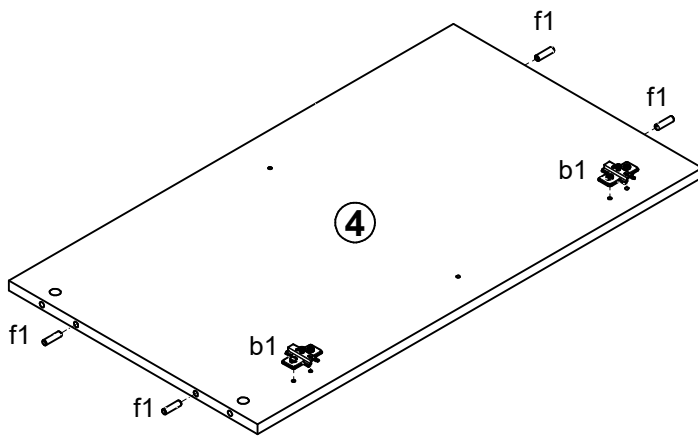
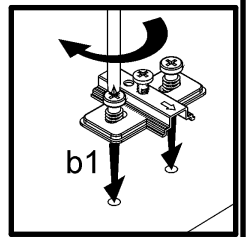
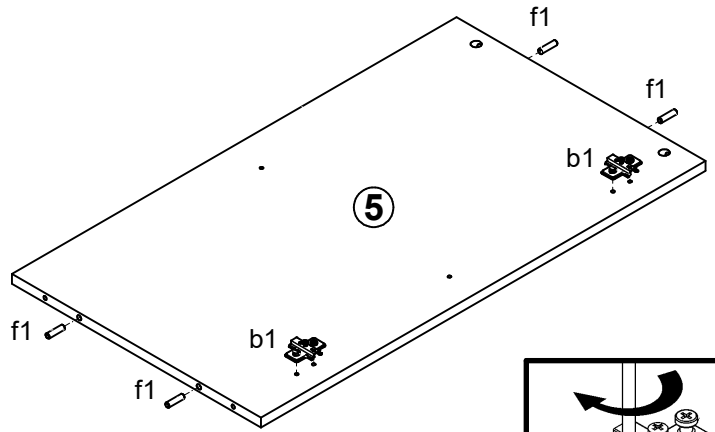
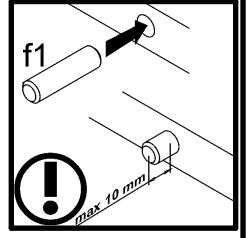
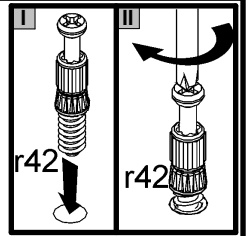
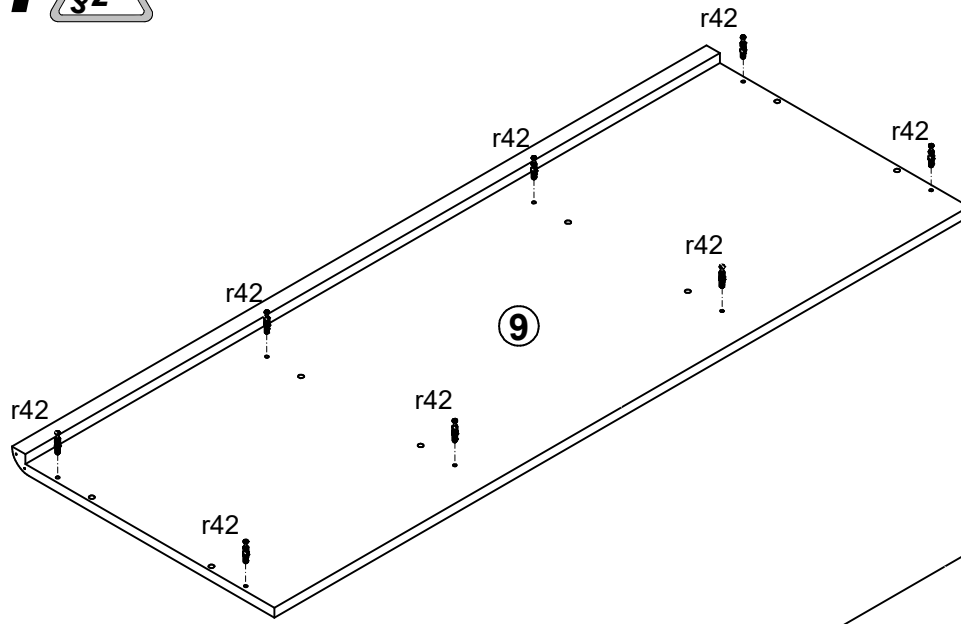
S31-JKOM2D4S

A	B	C		D	A	B	C		D
1	S31-016	792	396	3/3	9	S31-217	1300	491	2/3
2	S31-017	792	396	3/3	10	S31-312	375	461	1/3
3	S31-018	496	196	3/3	11	S31-504	350	140	1/3
4	S31-115	832	466	1/3	12	S31-505	350	140	1/3
5	S31-116	832	466	1/3	13	S31-511	435	140	1/3
6	S31-119	832	466	1/3	14	S31-912	446	348	1/3
7	S31-120	832	466	1/3	15	S31-913	856	397	1/3
8	S31-216	1300	491	2/3	16	S31-914	856	499	1/3

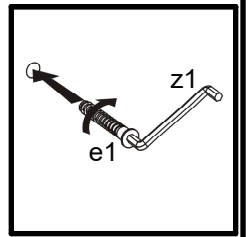
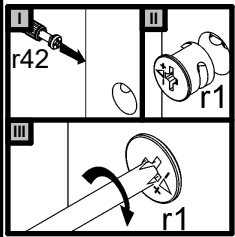
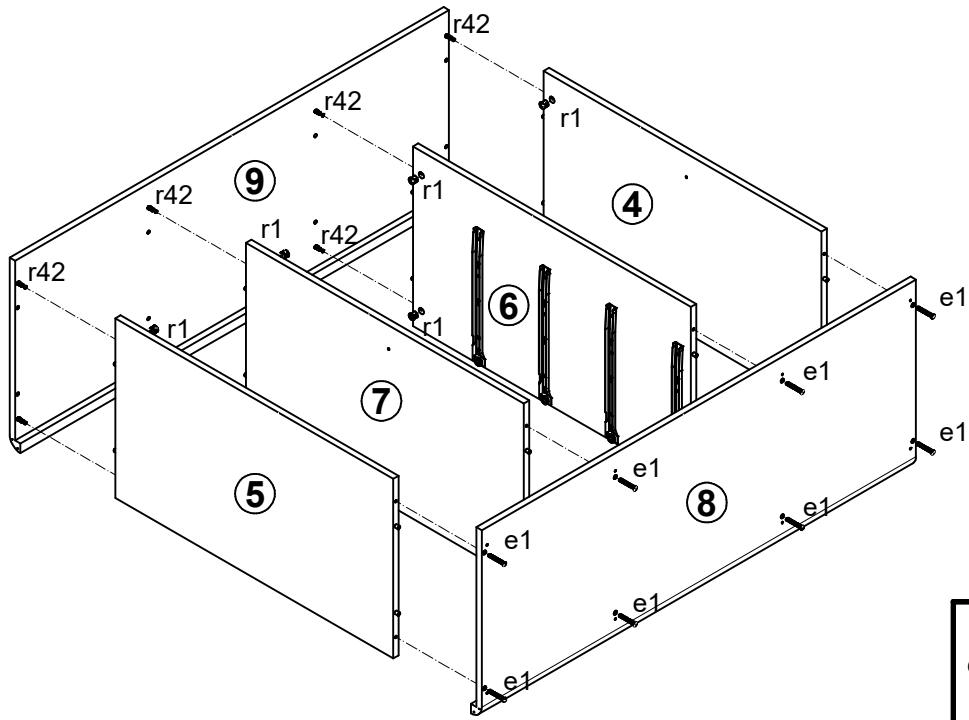


4x a2	4x b1	6x c158	8x d1 Ø5x17 mm	8x e1 Ø7x50 mm	24x e3 Ø6x13 mm	16x e19 Ø5x9 mm	16x f1 Ø8x30 mm	16x f25 Ø6.5x40 mm
12x j30 M4x22 mm	8x k22 Ø15	90x l1	4x l27	2x l28/L	2x l28/P	16x p83 Ø3x12 mm	8x r1 Ø15x12 mm #16	16x r15 Ø12x10.5 mm #12
24x r42 20/11	4x w45/CL 350 mm	4x w45/CR 350 mm	4x w45/DL 350 mm	4x w45/DR 350 mm	6x s2 Ø16	1x z1 4 mm	1x n26/l	1x p38 Ø3.5x16 mm

1 

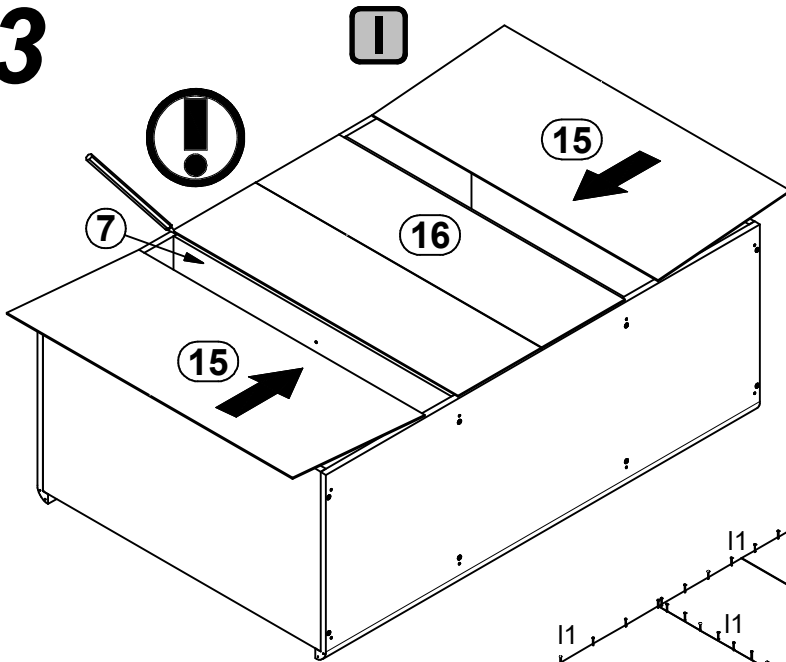


2

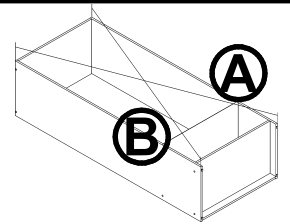


3

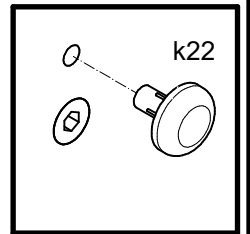
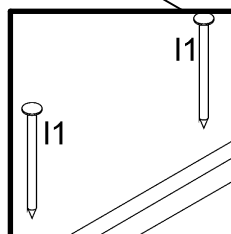
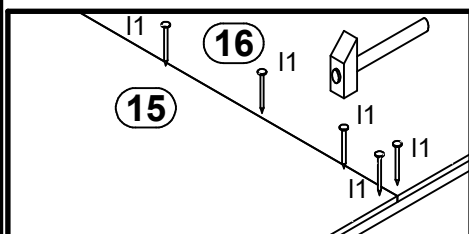
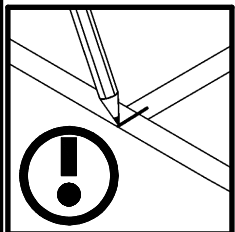
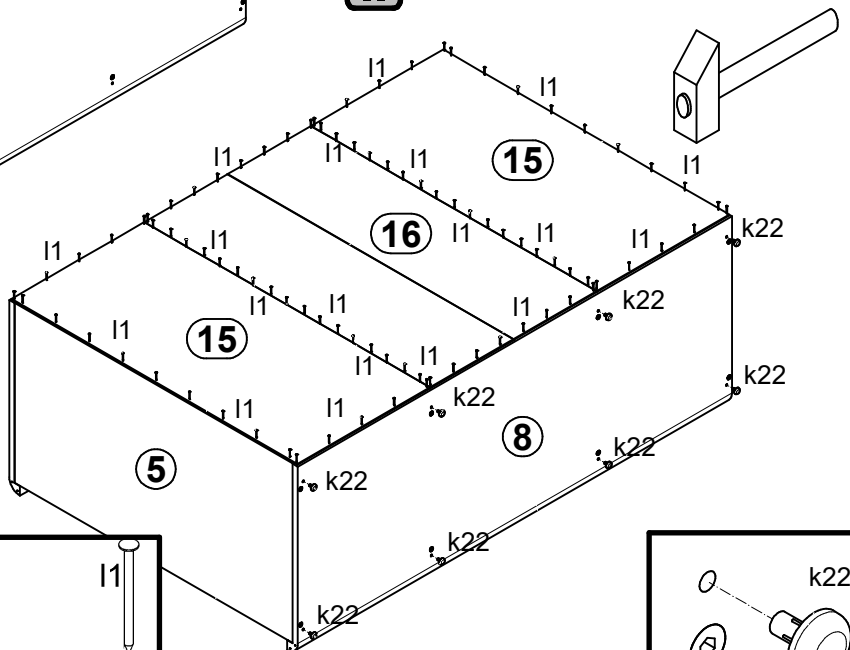
I



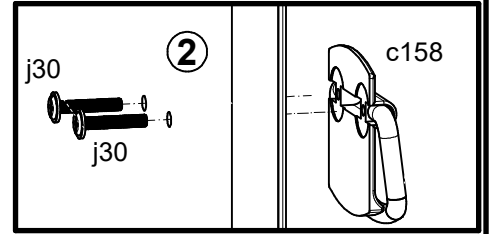
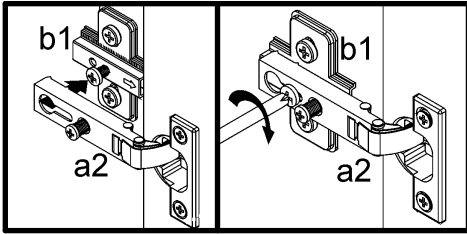
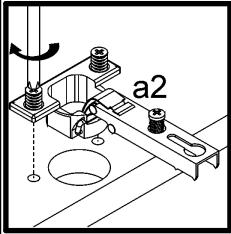
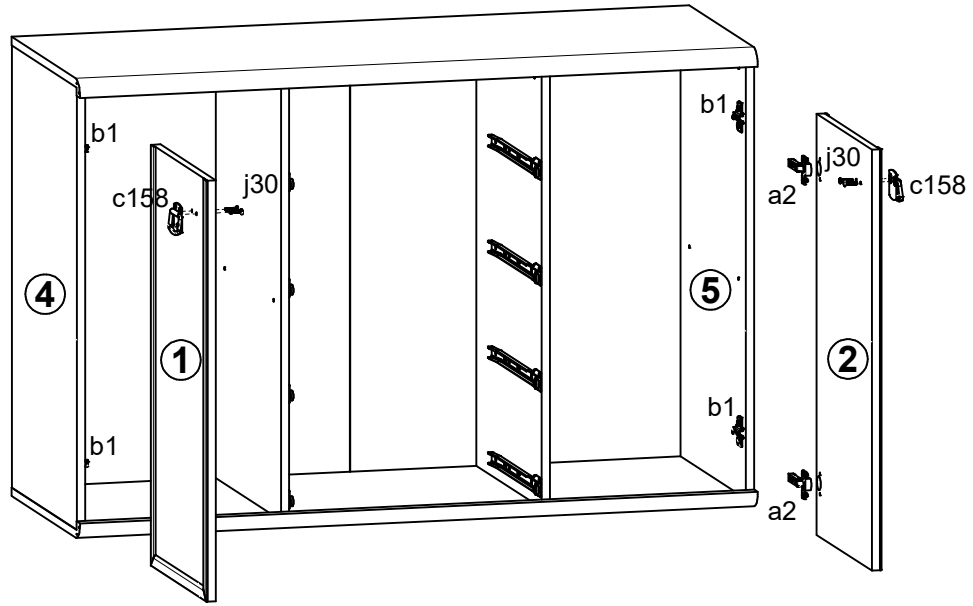
A=B



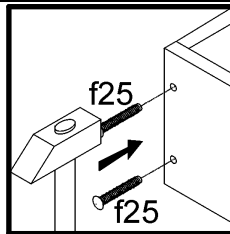
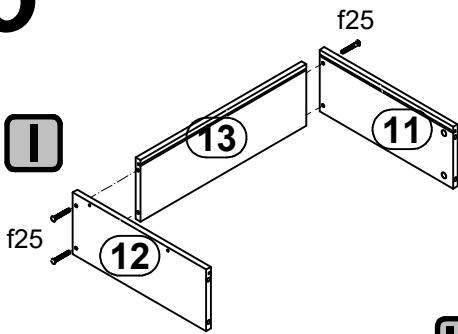
II



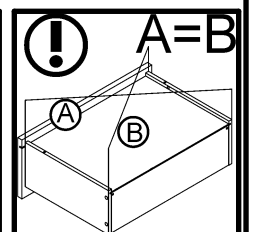
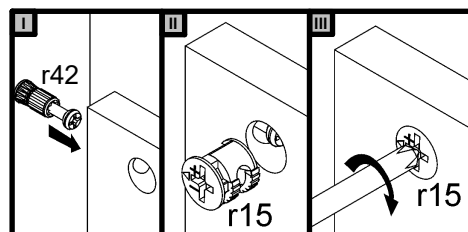
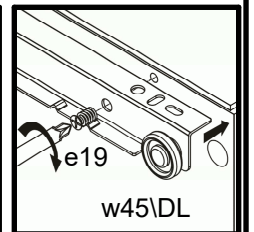
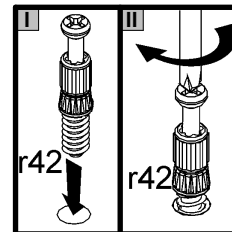
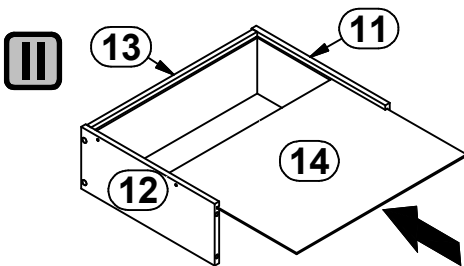
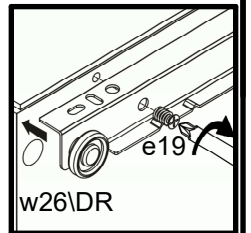
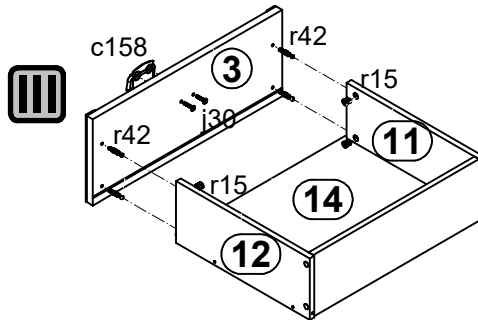
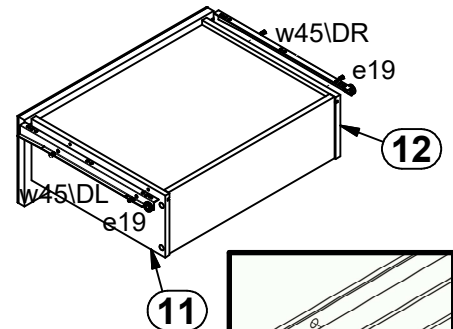
4



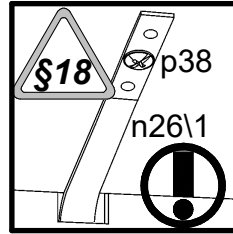
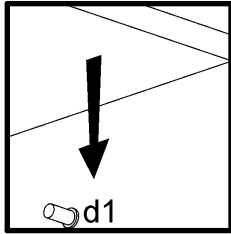
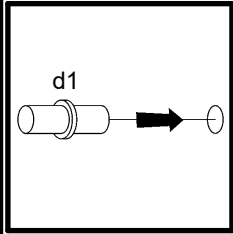
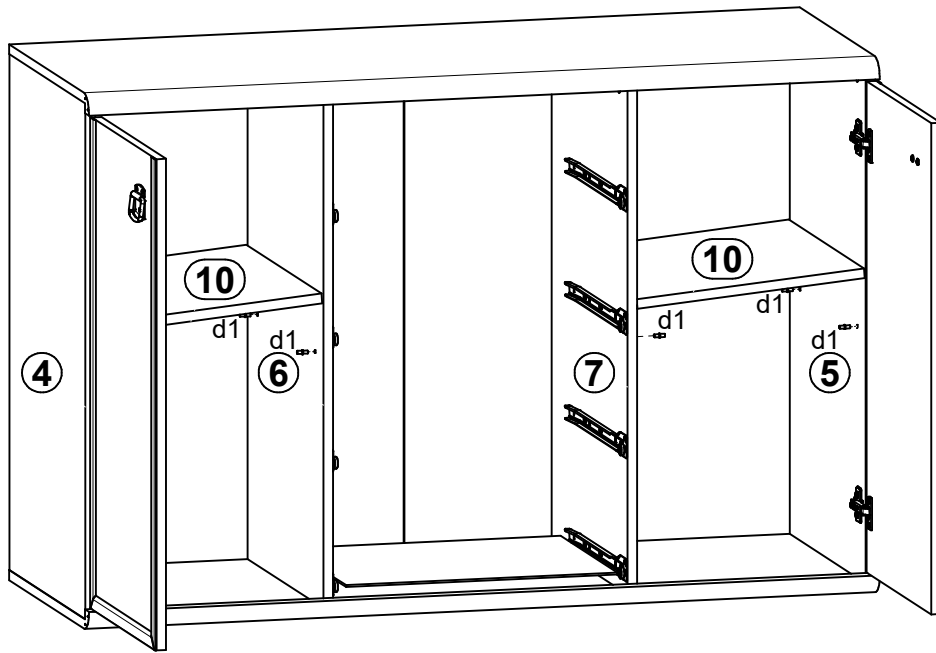
5



IV



6



7

