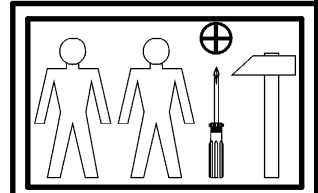
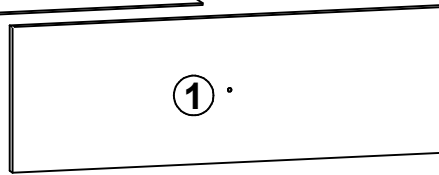
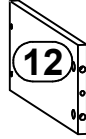
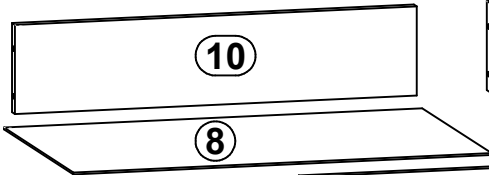
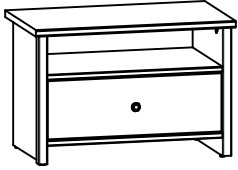
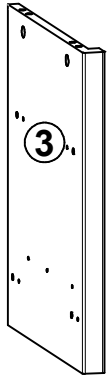
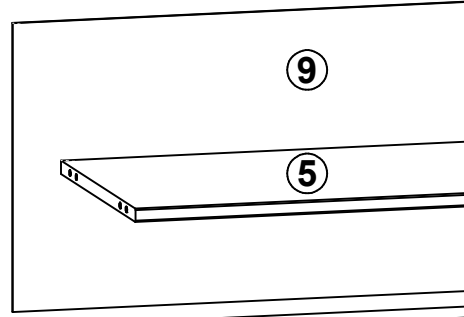
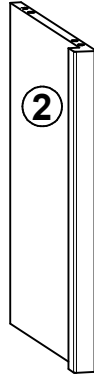
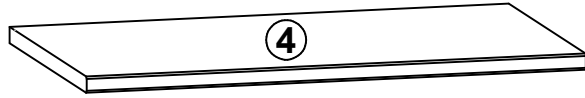
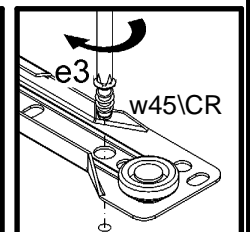
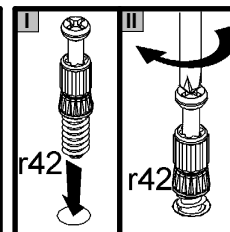
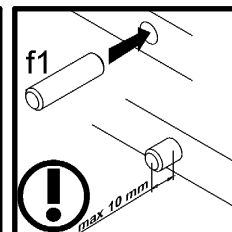
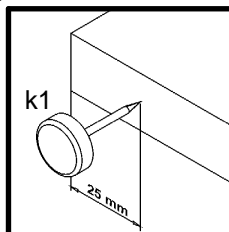
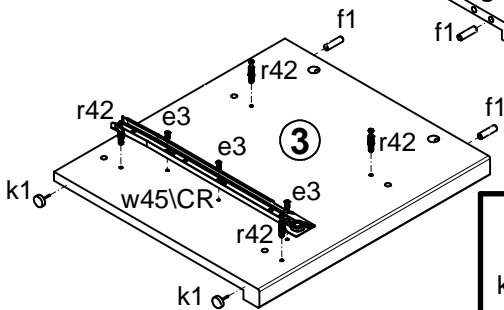
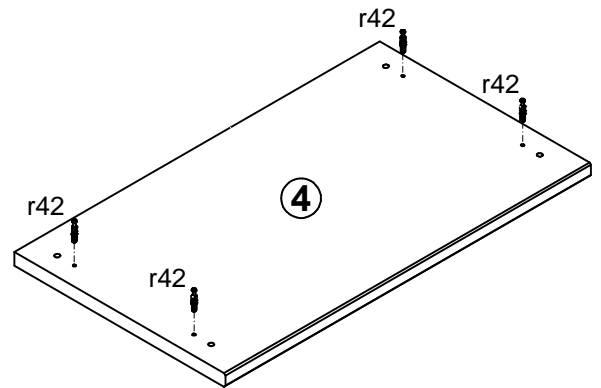
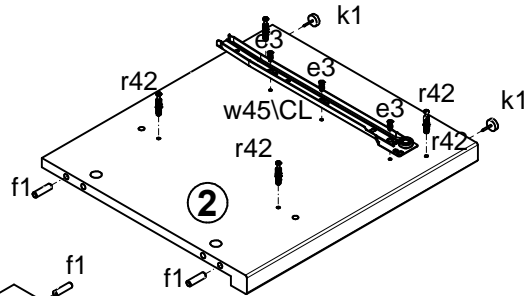


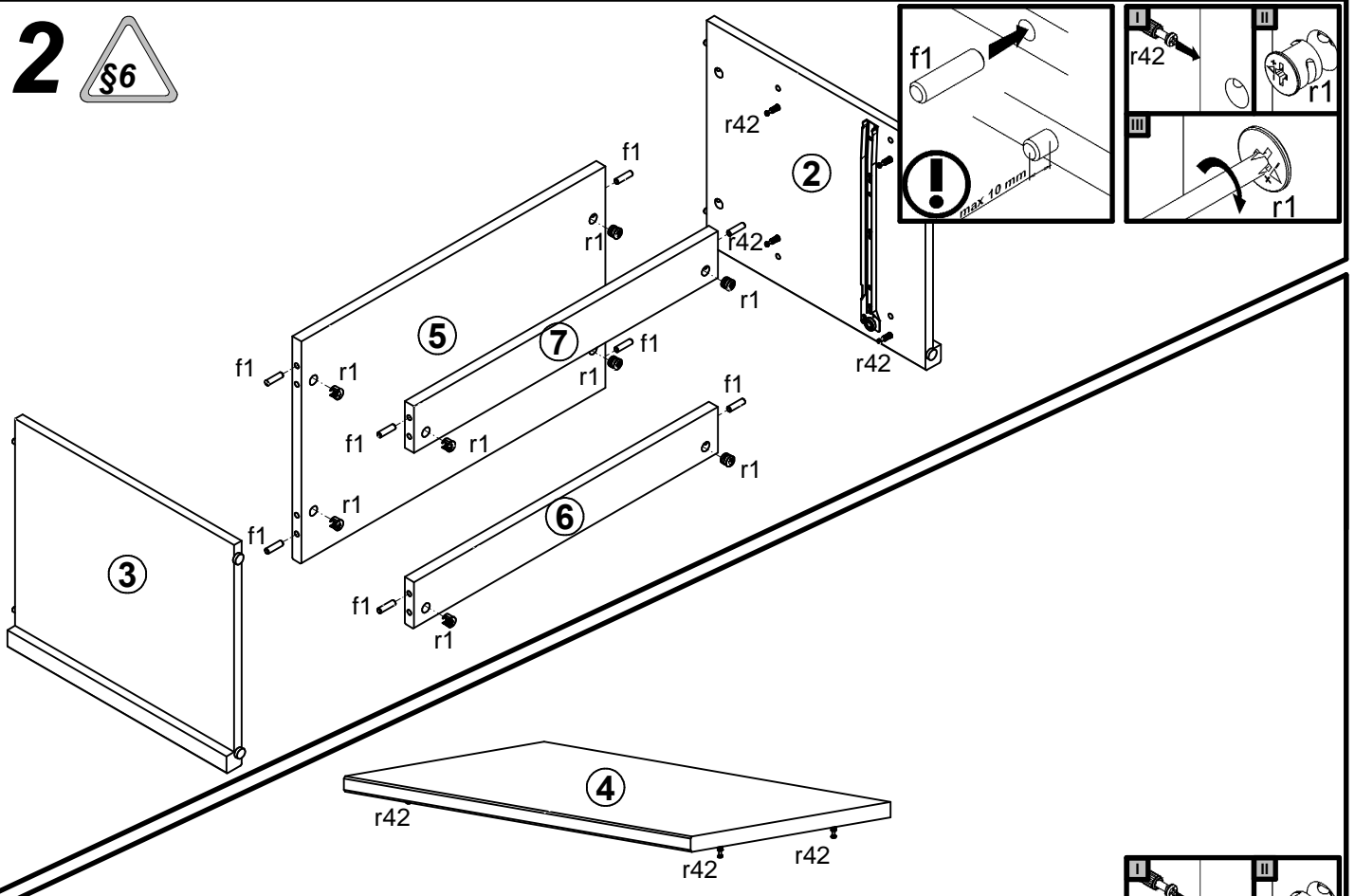
A	B	C	D	
1	S322-024	595	196	2/2
2	S322-133	432	384	1/2
3	S322-134	432	384	1/2
4	S322-211	684	395	1/2
5	S322-318	600	381	1/2
6	S322-415	600	80	1/2
7	S322-432	600	80	1/2
8	S322-928	573	355	1/2
9	S322-929	389	625	1/2
10	ZS3-5522	551	120	1/2
11	ZS4-501	350	120	1/2
12	ZS4-502	350	120	1/2



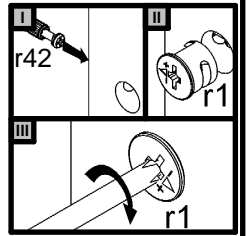
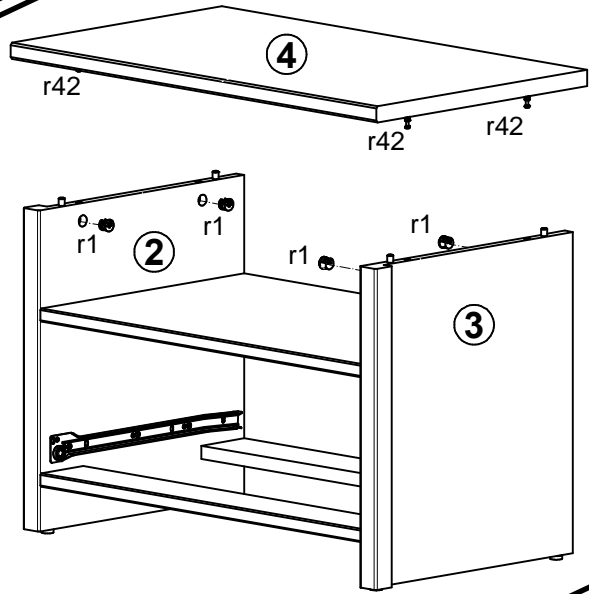
1x M4 c415	6x Ø6x13 mm e3	4x Ø5x9 mm e19	12x Ø8x30 mm f1	2x Ø6x30 mm f9	4x Ø6.5x40 mm f25	1x M4x20 mm j1	4x k1	30x l1
5x Ø3.5x16 mm p38	12x Ø15x12 mm #16 r1	4x Ø12x10.5 mm #12 r15	16x r42	1x 350 mm w45\CL	1x 350 mm w45\CR	1x 350 mm w45\DL	1x 350 mm w45\DR	4x Ø16 s2



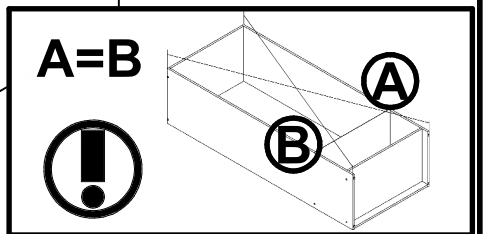
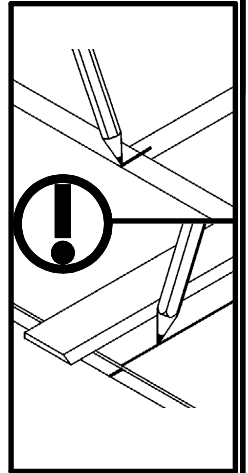
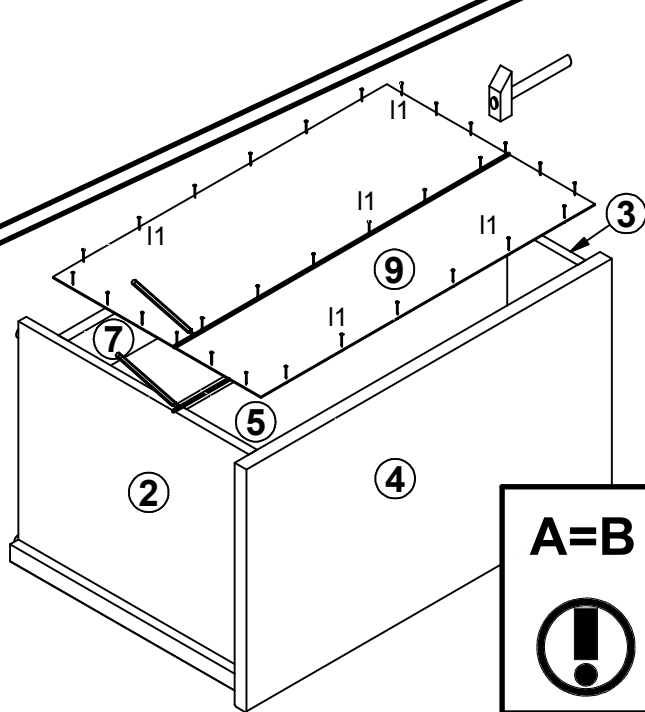
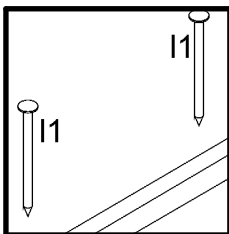
2



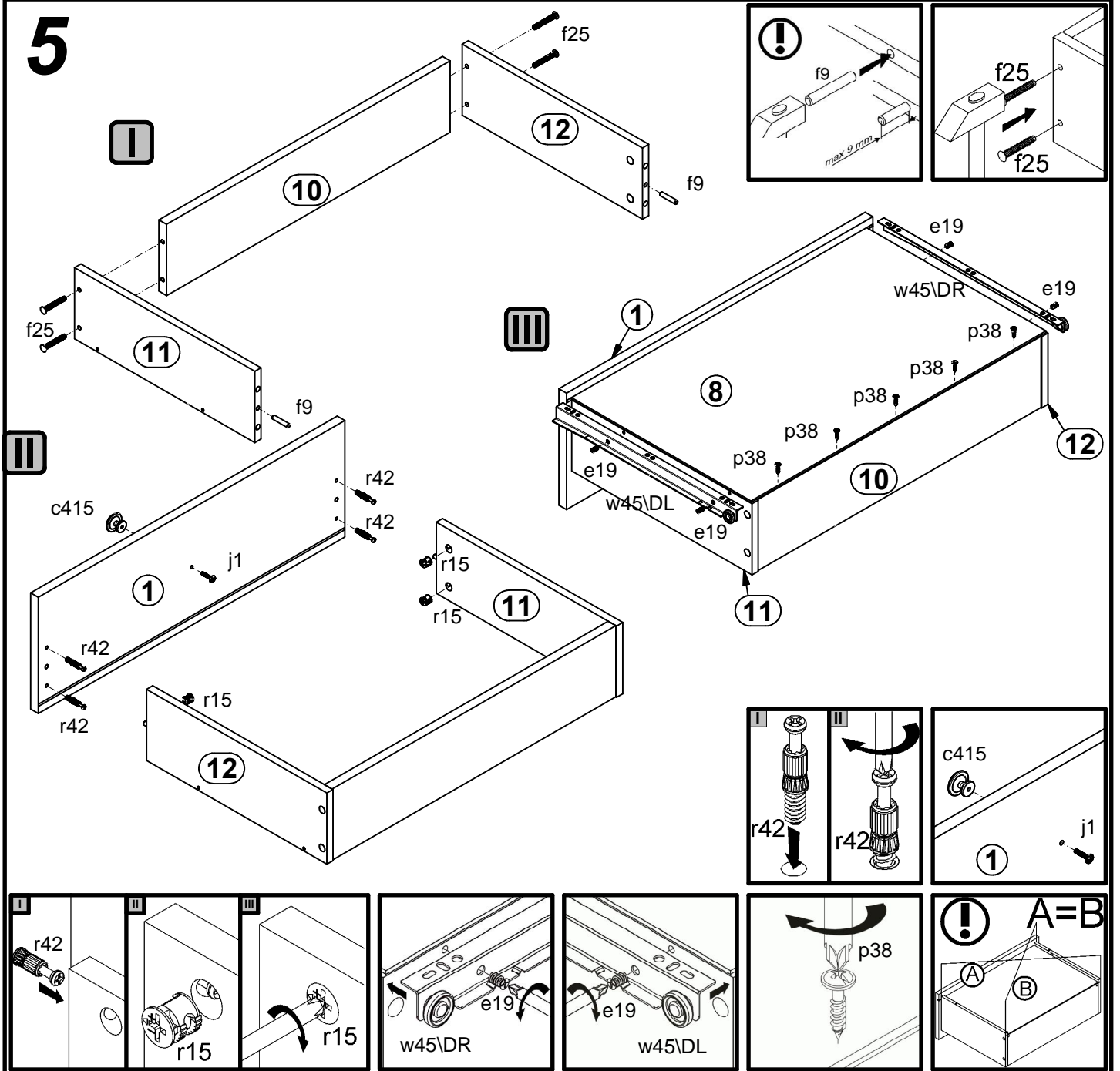
3



4



5



6

