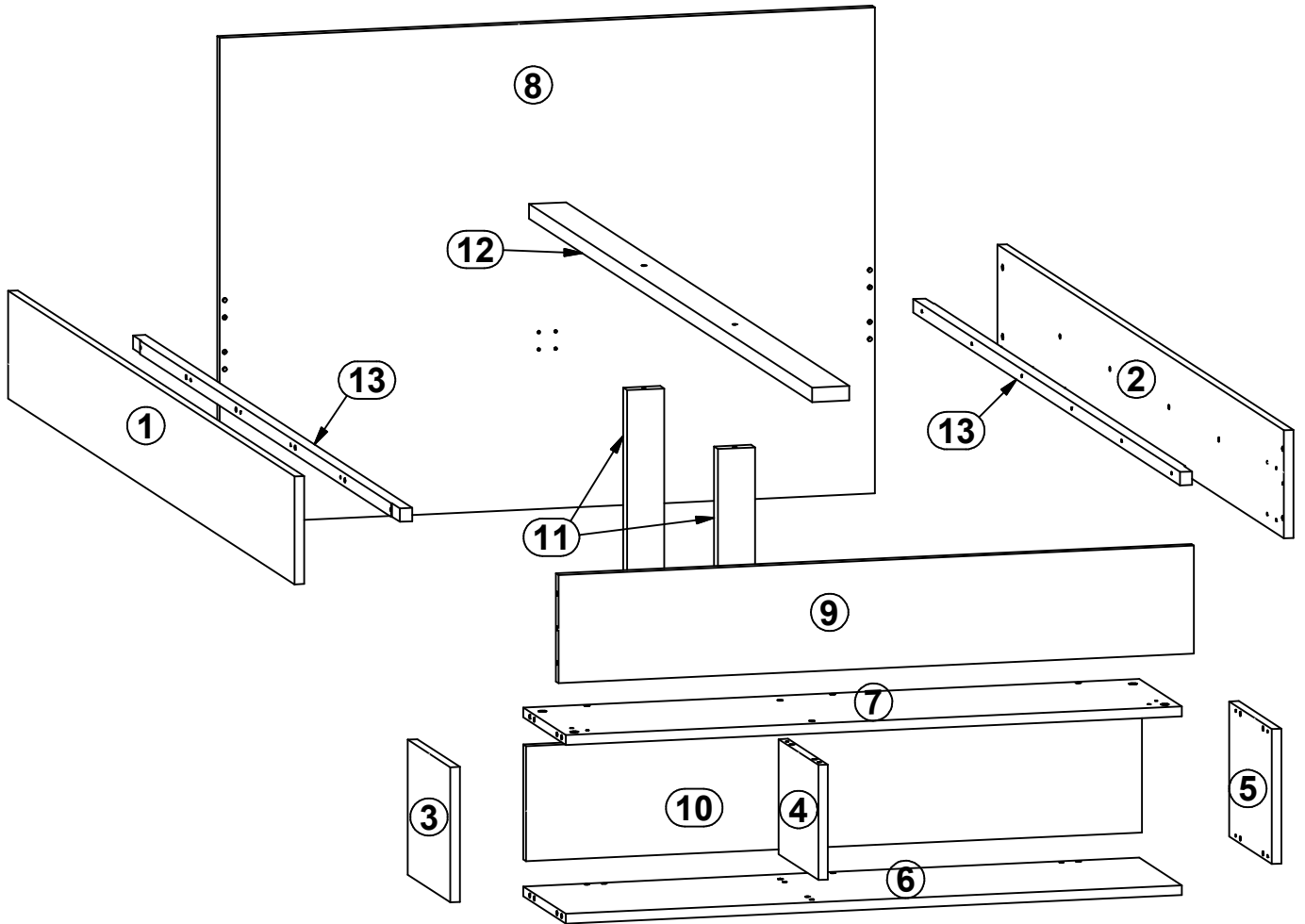
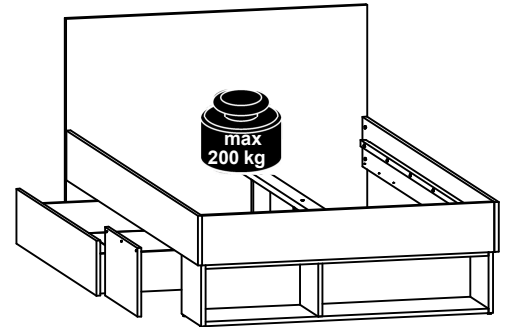
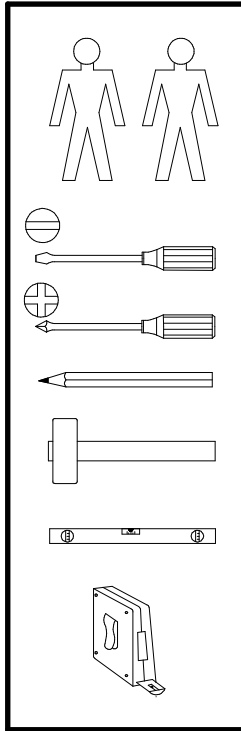
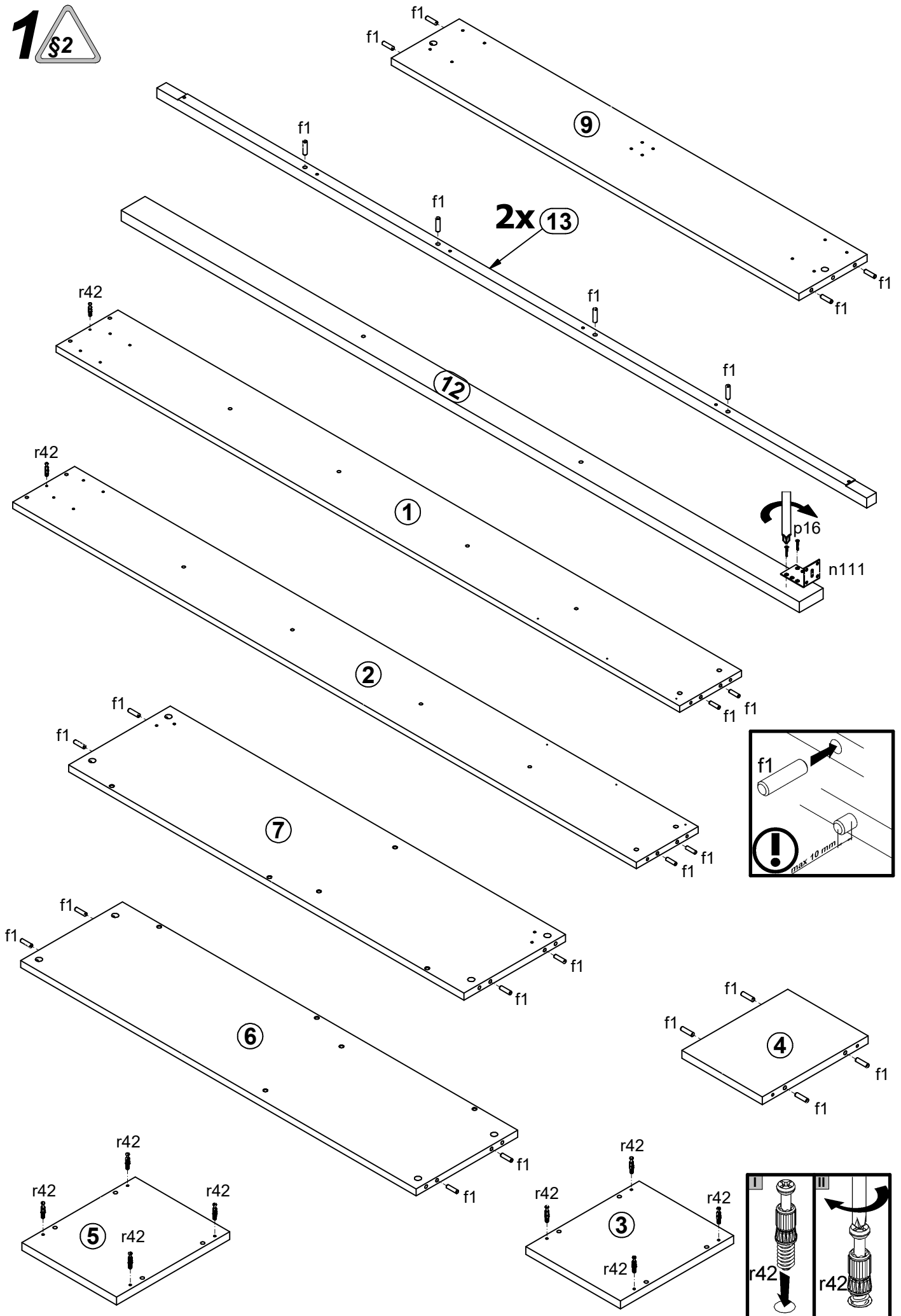


A	B	C	D	
1	S325-144	2018	200	2/3
2	S325-145	2018	200	2/3
3	S325-146	300	250	1/3
4	S325-147	213	280	1/3
5	S325-148	300	250	1/3
6	S325-327	1163	299	1/3
7	S325-328	1163	299	1/3
8	S325-429	1237	900	1/3
9	S325-430	1200	200	2/3
10	S325-432	1163	213	2/3
11	ZZ1-432	344	70	2/3
12	ZZ1-718	1995	70	2/3
13	ZZ1-772	1880	25	2/3



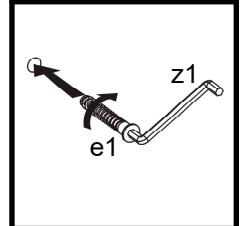
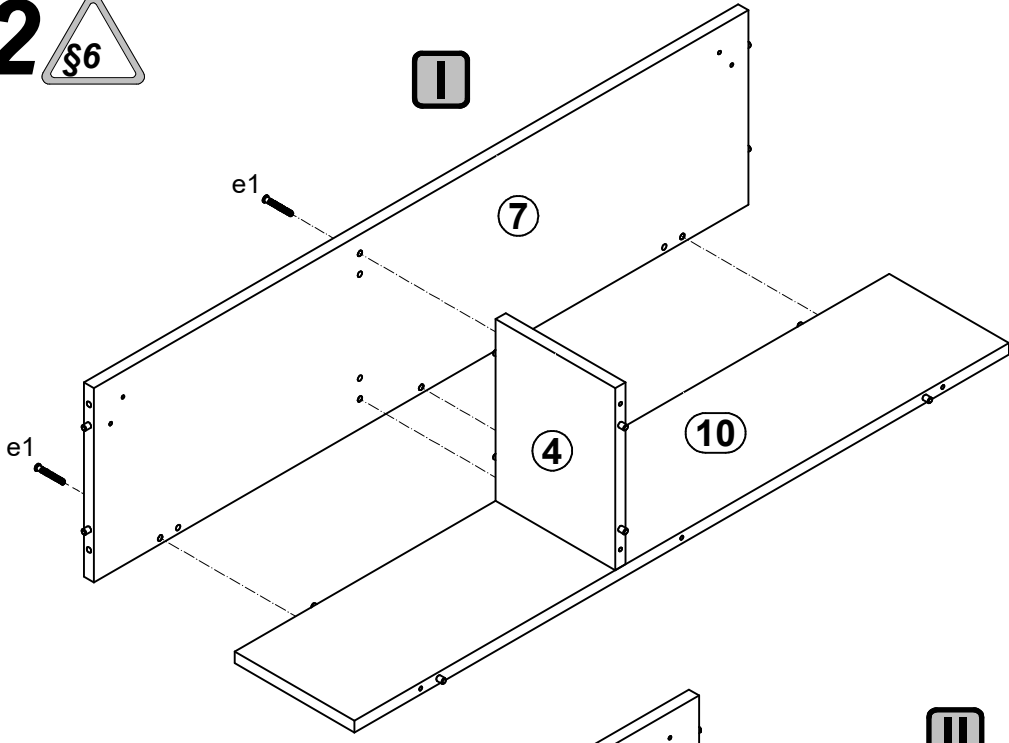
10x Ø7x50 mm e1	8x Ø6x13 mm e3	20x Ø6,3x16 mm e7	2x Ø7x60 mm e8	32x Ø8x30 mm f1	4x M6x60 mm j144	9x k1	2x n59	2x 70x50x 45/2 mm n111
6x Ø4x35 mm p6	12x Ø4x40 mm p10	4x Ø3,5x25 mm p16	10x Ø15x12 mm #16 r1	4x Ø10x13 mm r51	10x 20/11 r42	1x 4 mm z1		

1 §2

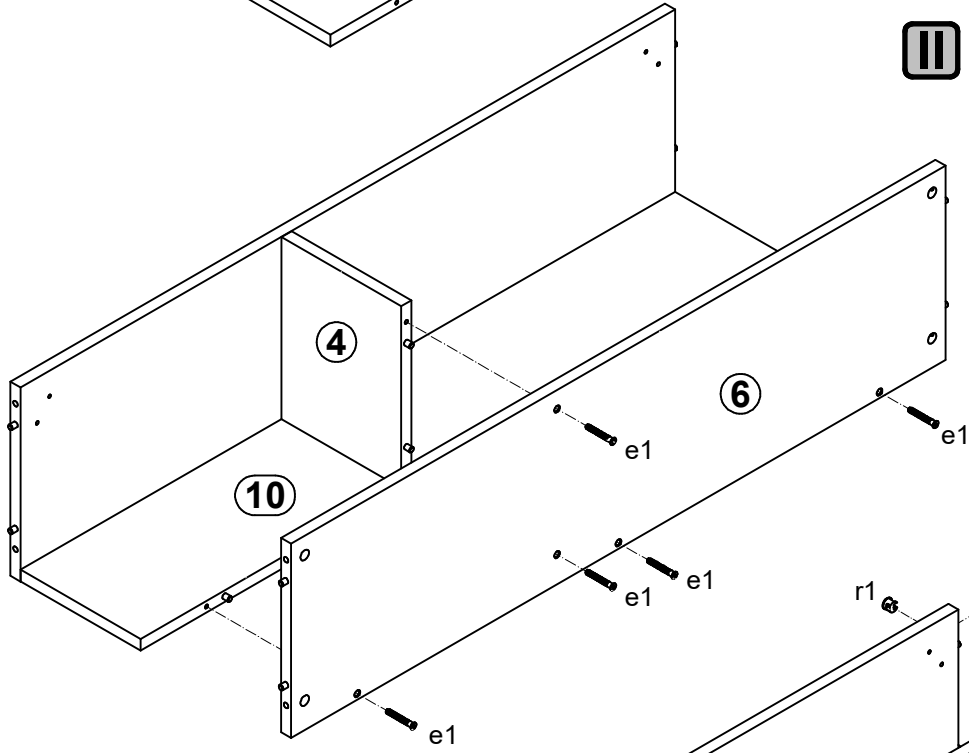


2 

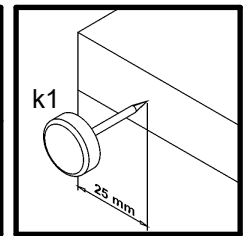
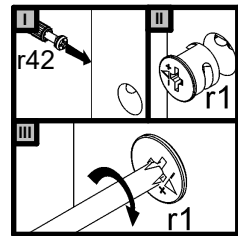
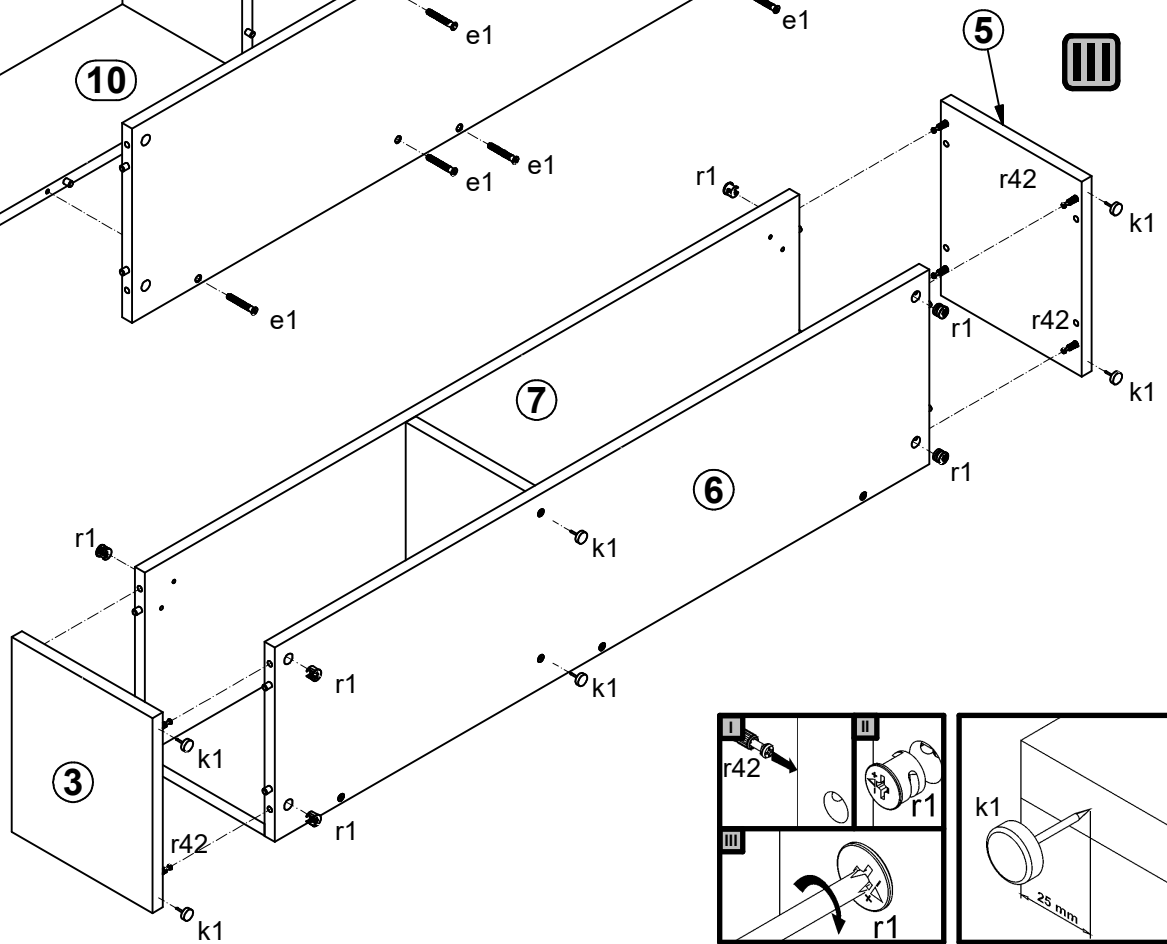
I



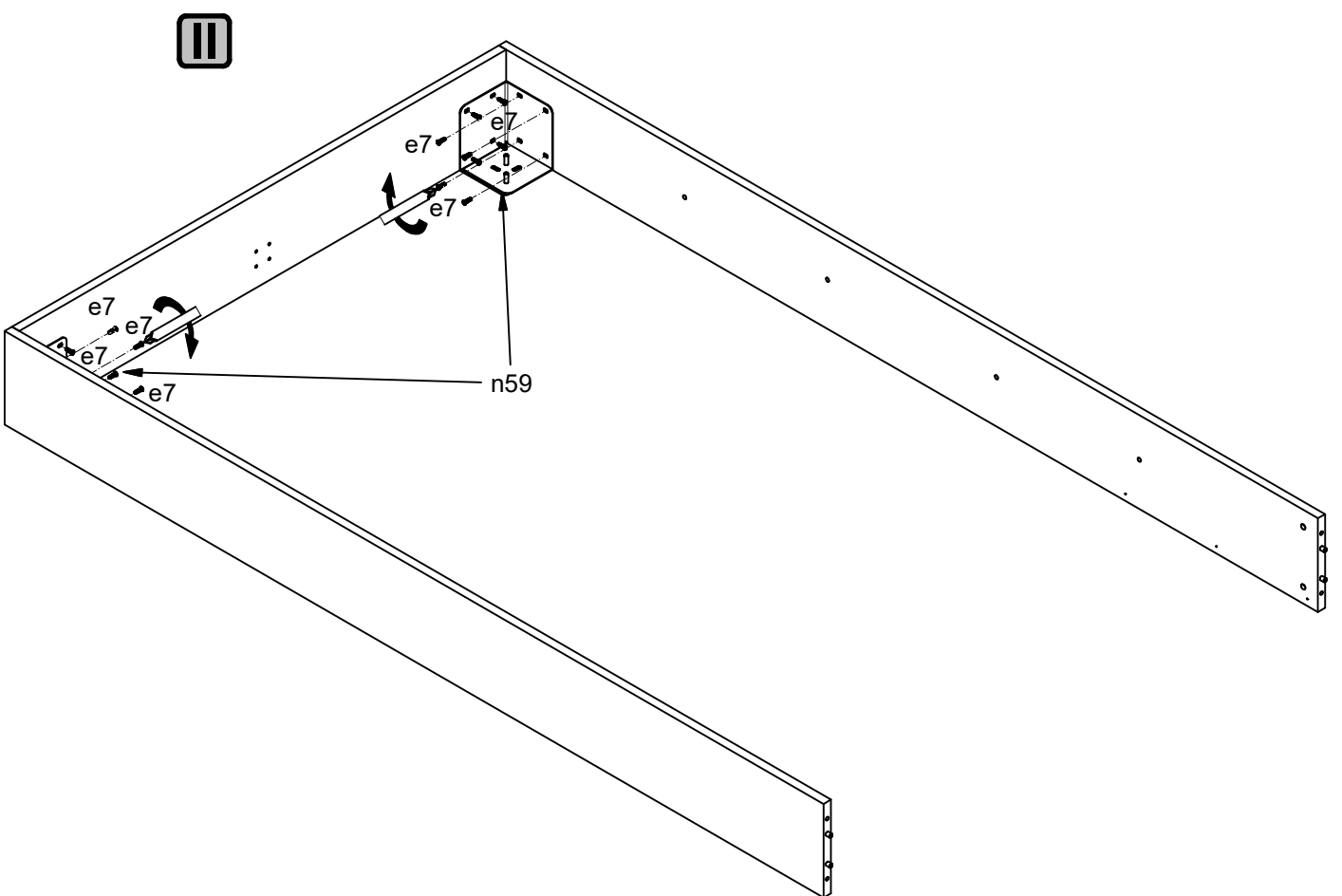
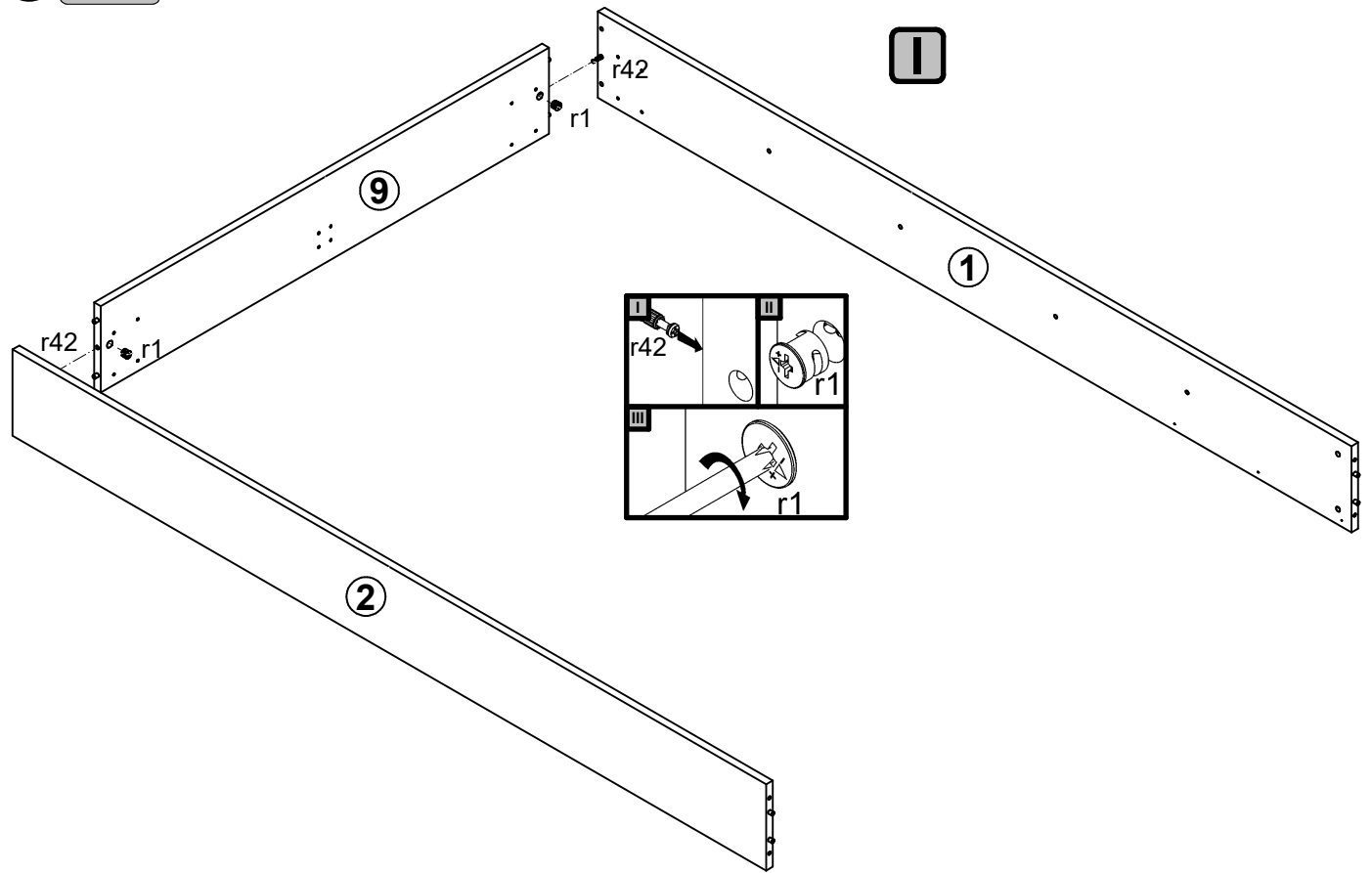
II



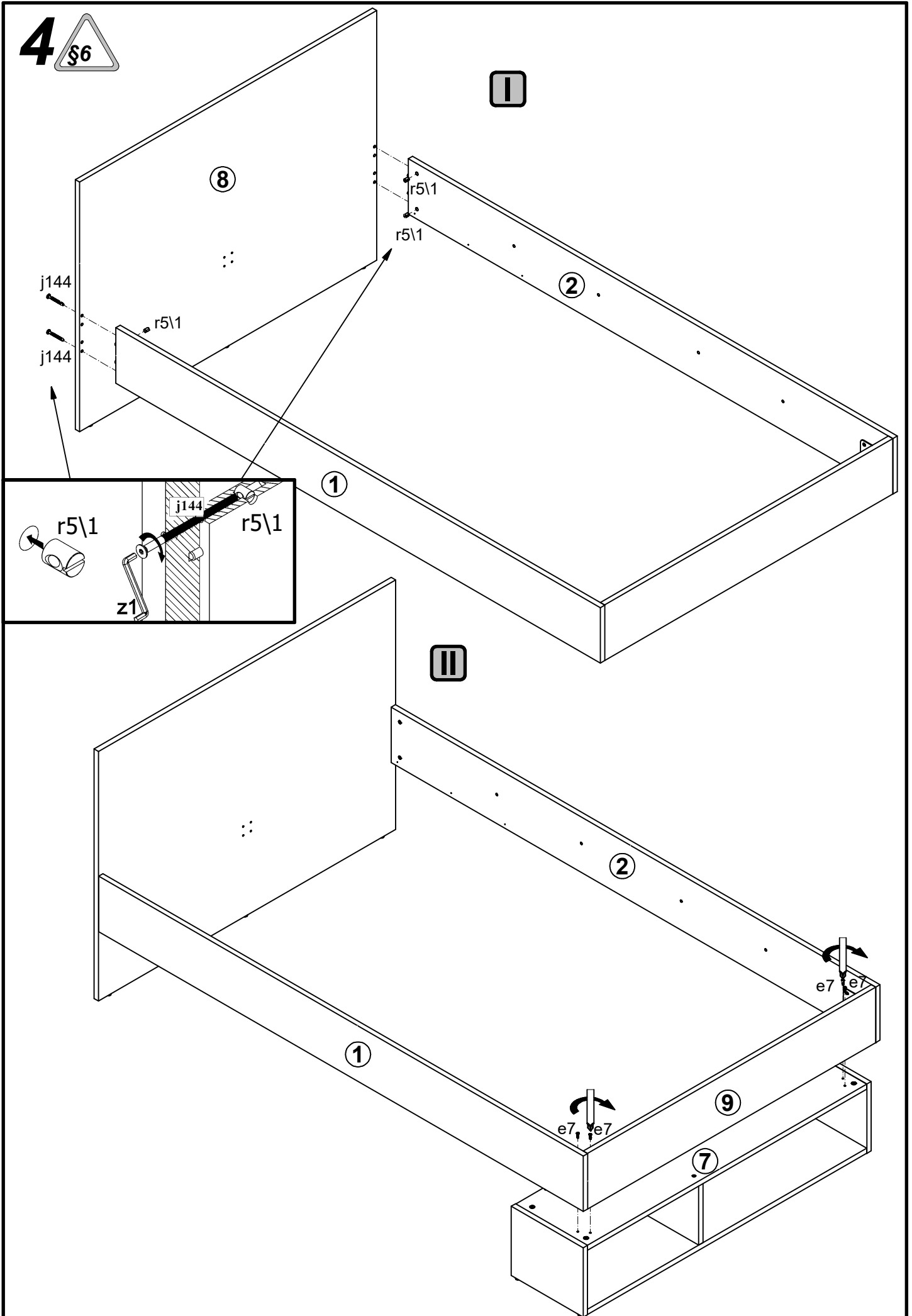
III



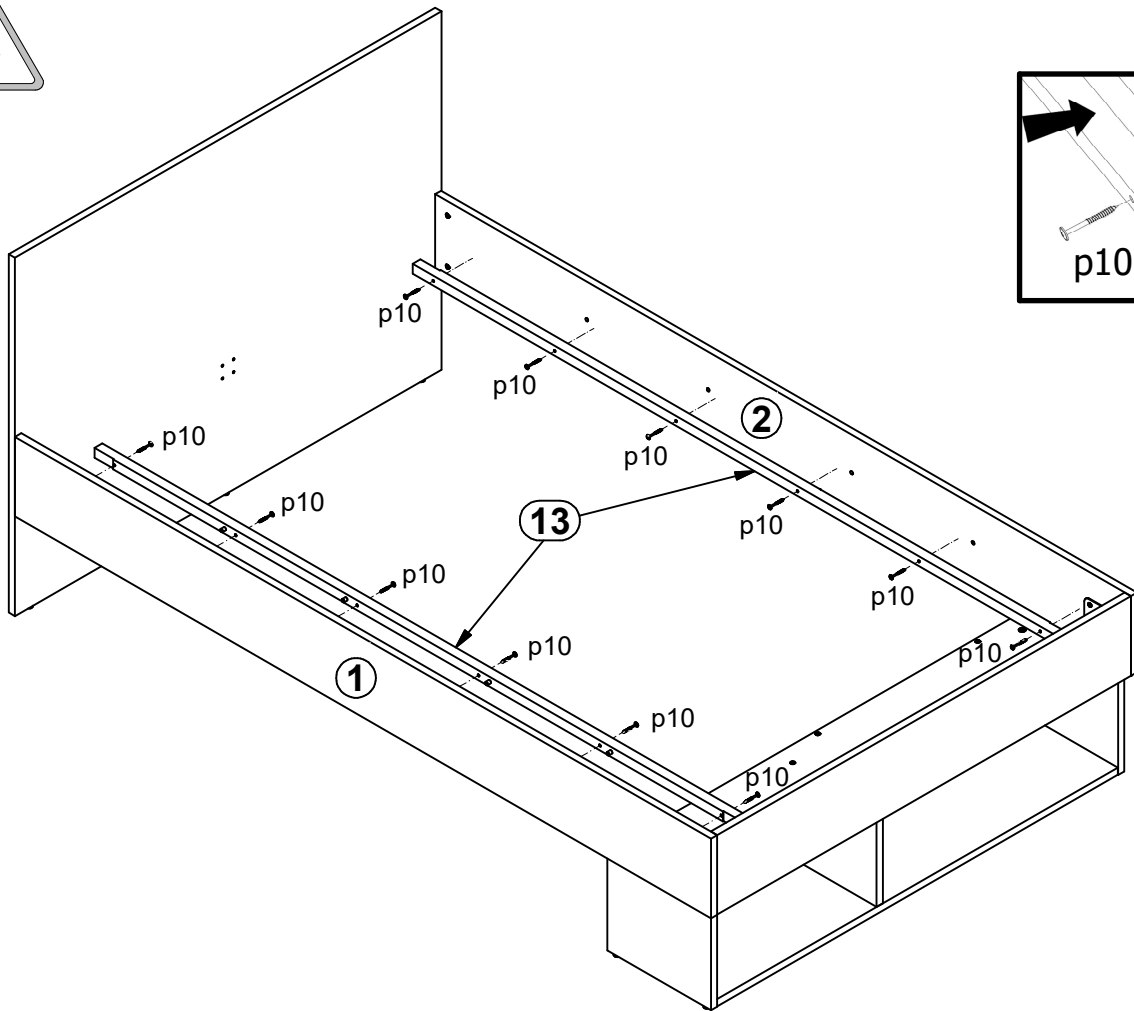
**3** §6



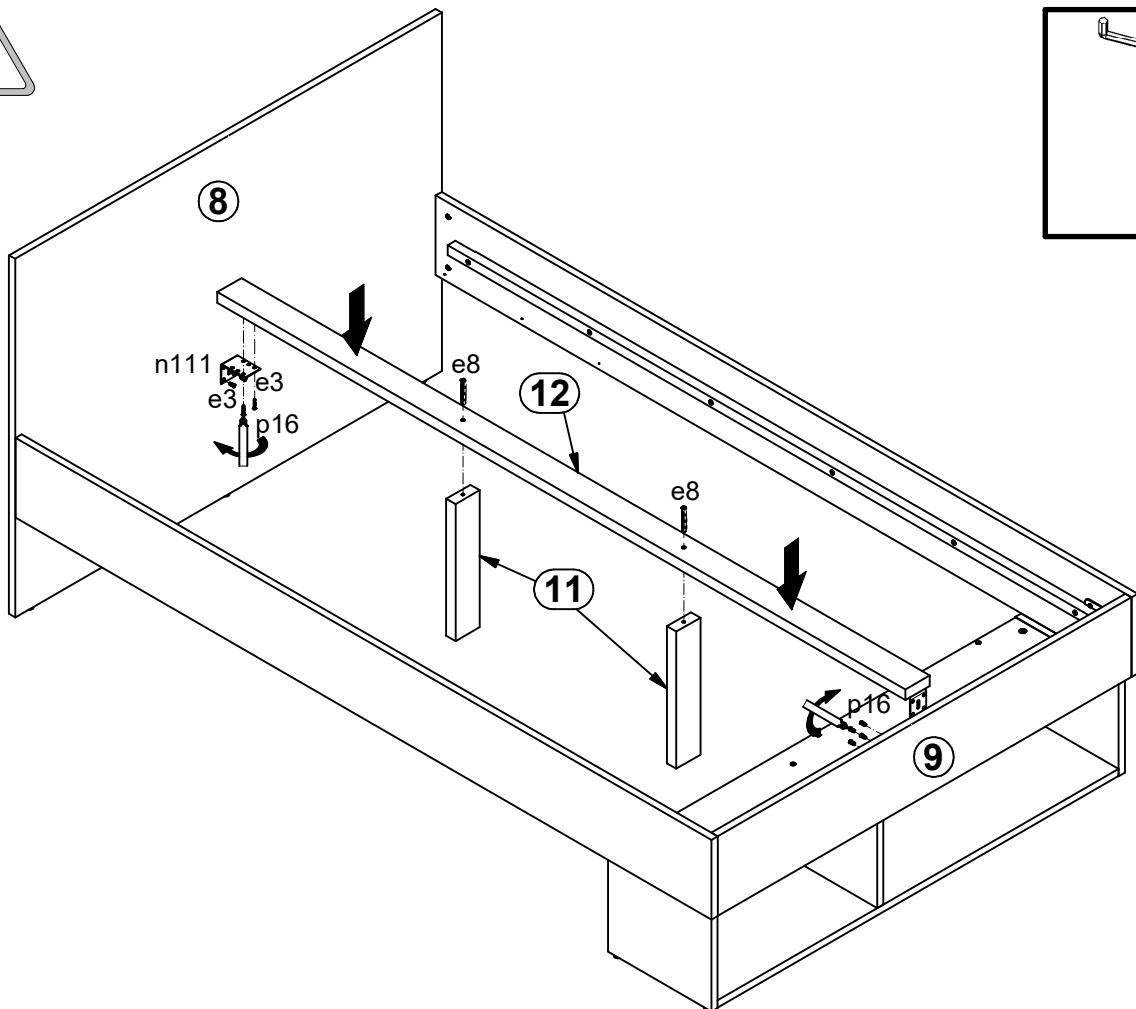
4 



# 5



# 6



7 

