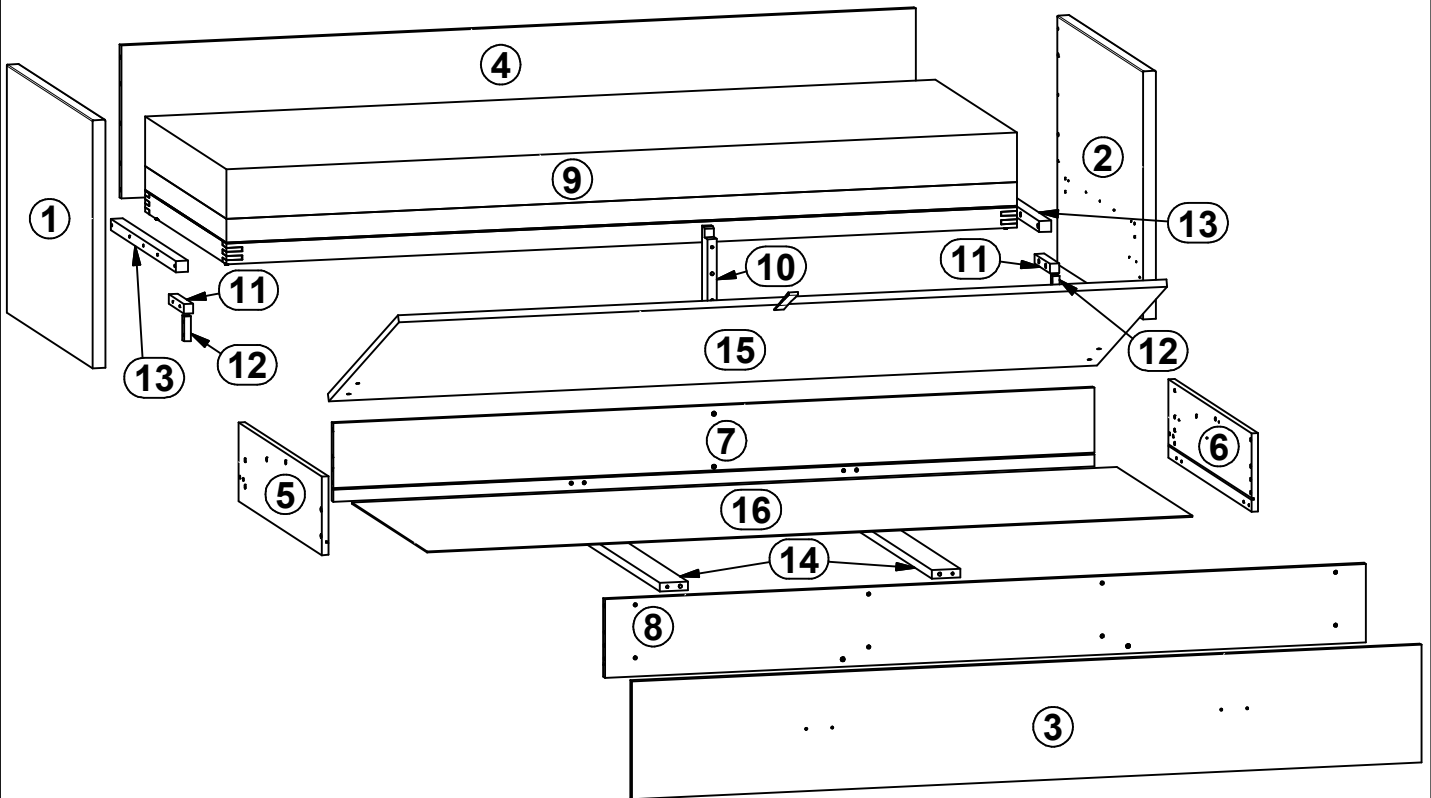
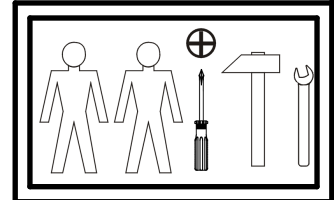
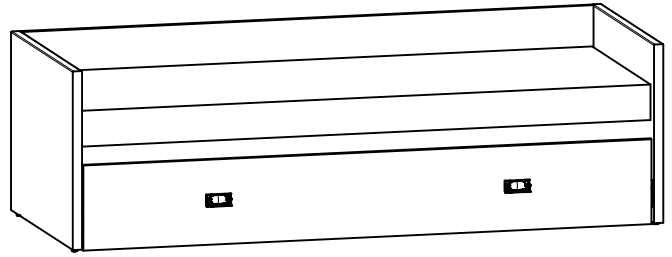
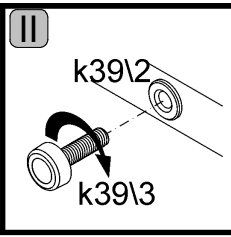
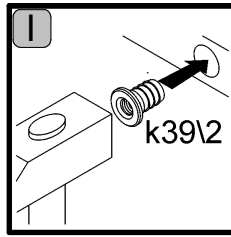
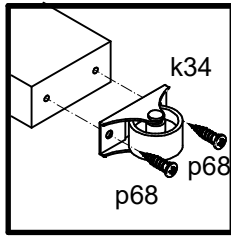
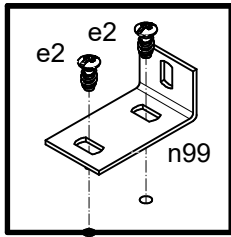
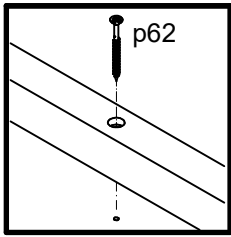
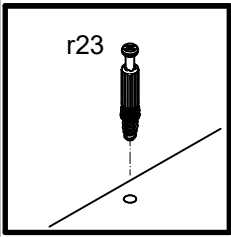
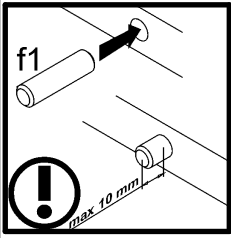
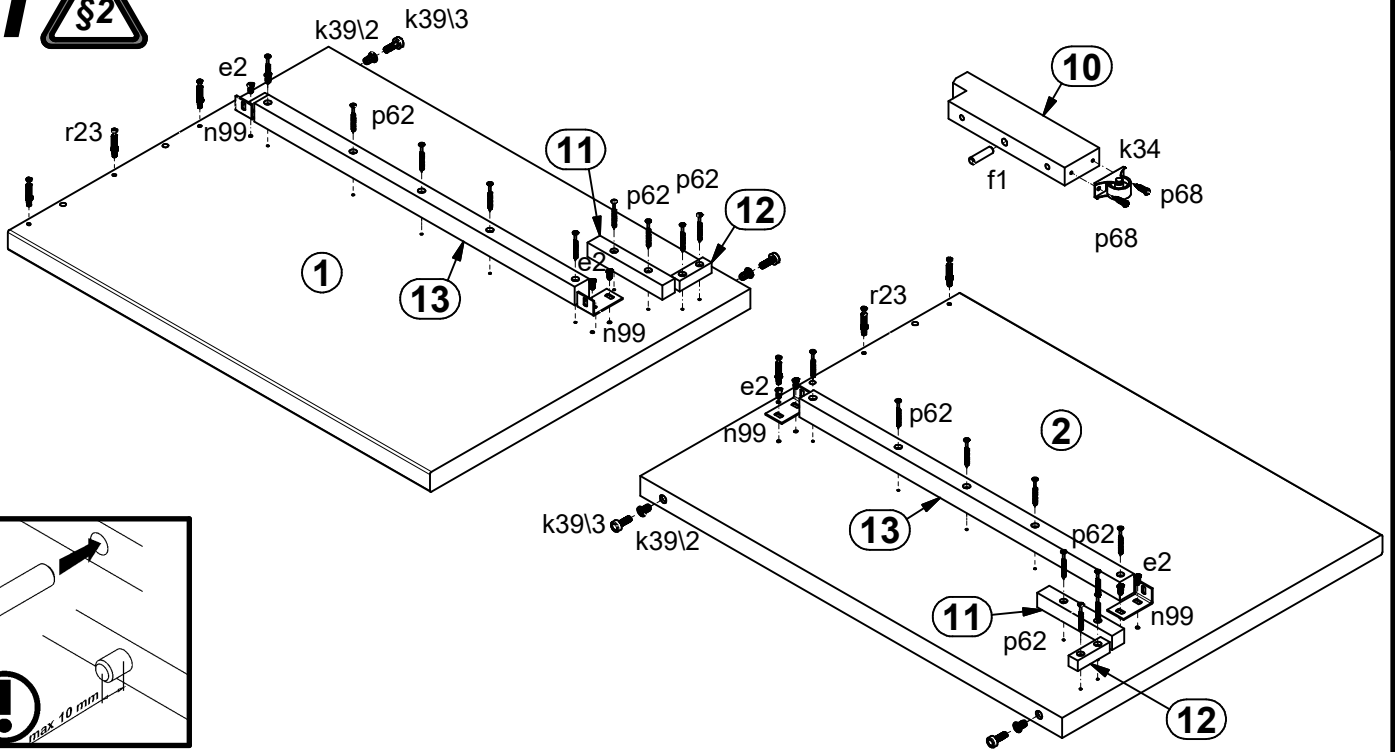


A	B	C	D	
1	S325-016	790	600	1/4
2	S325-017	790	600	1/4
3	S325-019	1948	285	4/4
4	S325-411	1960	370	2/4
5	S325-412	767	190	2/4
6	S325-413	767	190	2/4
7	S325-414	1878	190	2/4
8	S325-415	1878	190	2/4
9	ZZ1-401	1950	1500	1/2
10	ZZ1-402	198	52	3/4
11	ZZ1-403	140	23	3/4
12	ZZ1-405	60	17	3/4
13	ZZ1-406	600	27	3/4
14	ZZ1-407	684	70	3/4
15	ZZ1-408	1896	712	3/4
16	ZZ1-903	1888	694	3/4

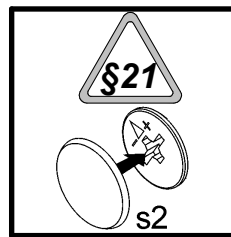
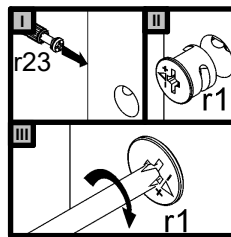
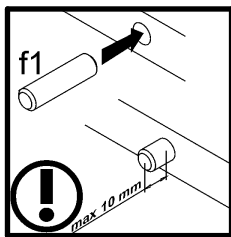
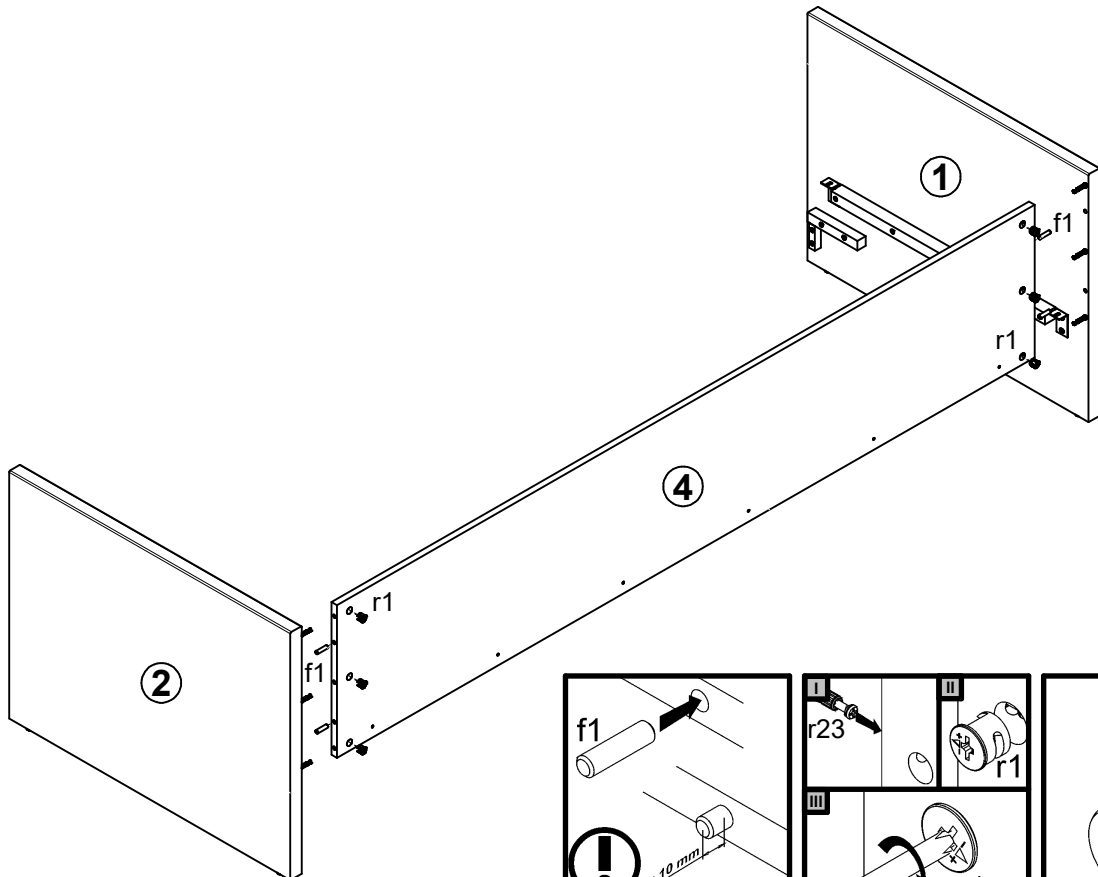


2x 64 mm  c417	14x  φ7x50 mm e1	16x  φ6,3x13 mm e2	8x  φ7x28 mm e22	17x  φ8x30 mm f1	4x  M4x22 mm j60	4x  M6x30 mm j9	16x  M6 j10	8x  M6x25 mm j96
1x  k34	4x  M6φ9x14 mm k39/2	4x  M6,22mm k39/3	4x  k44	2x  m28/1	1x  m28/L	1x  m28/P	4x  55x30x29/2 mm n99	2x  55x30x20/2 mm n100
8x  φ6 mm o6	8x  φ6x12/1,4 mm o40	6x  φ3,5x13 mm p27	24x  φ4x45 mm p62	2x  φ4x20 mm p68	6x  φ1,5x12mm #16 r1	6x  30/11 r23	8x  s1	6x  φ16 s2
1x  395mm s7/L	1x  395mm s7/P	1x  z1						

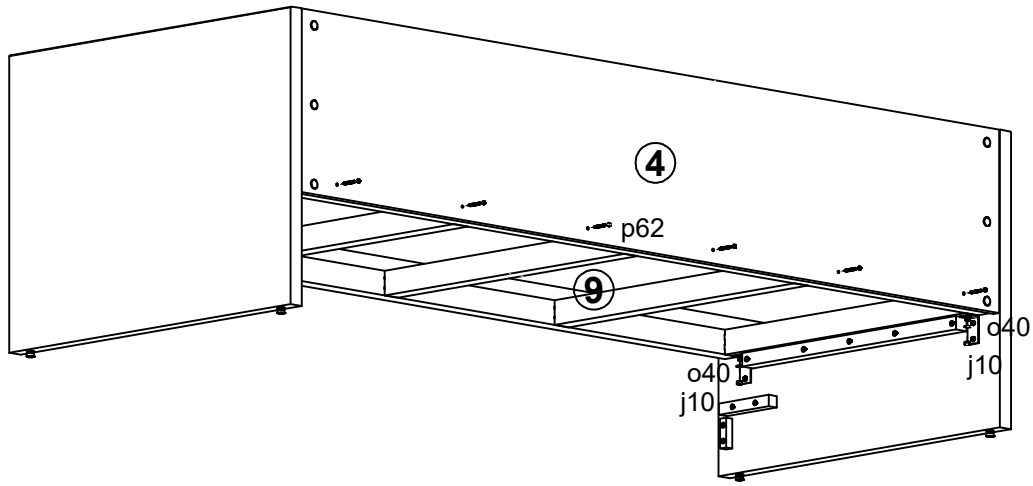
# 1



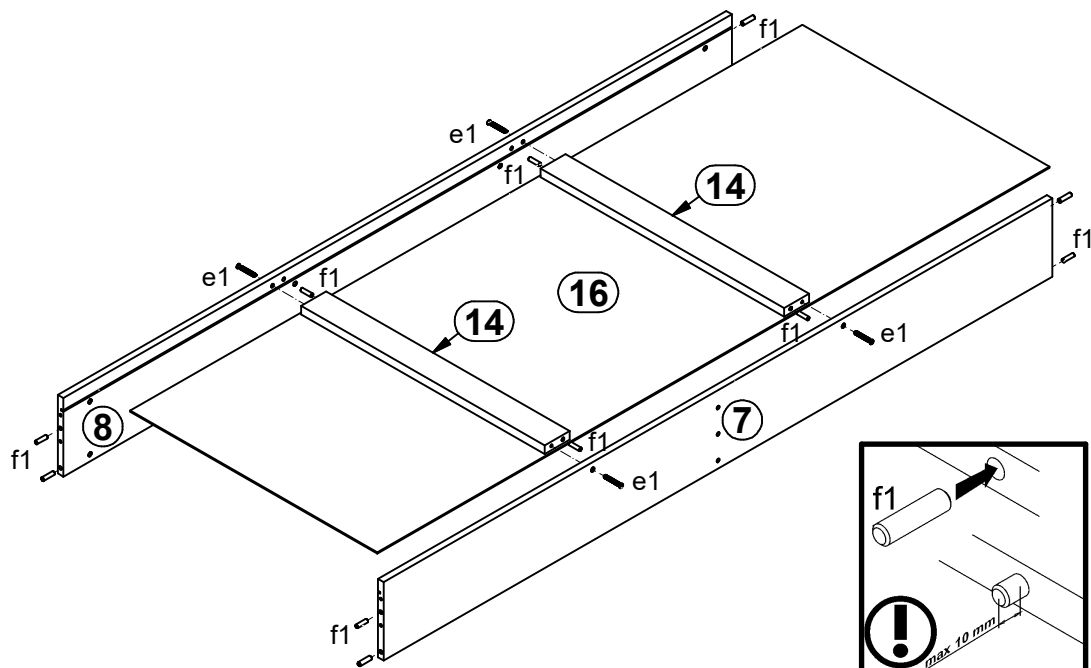
# 2



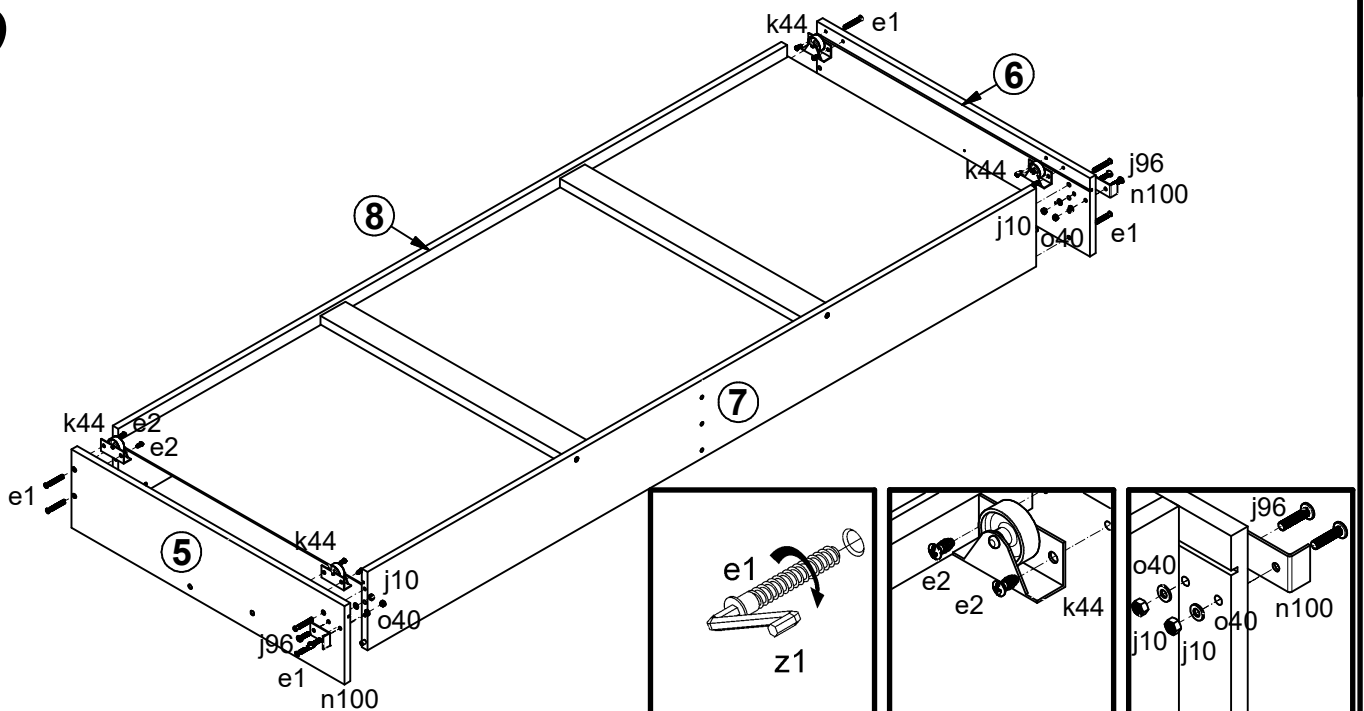
# 3



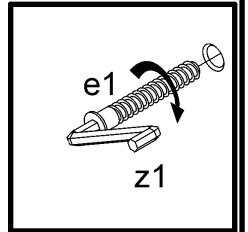
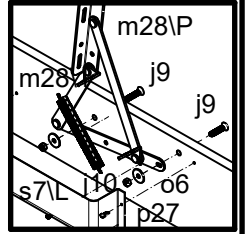
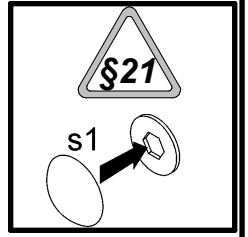
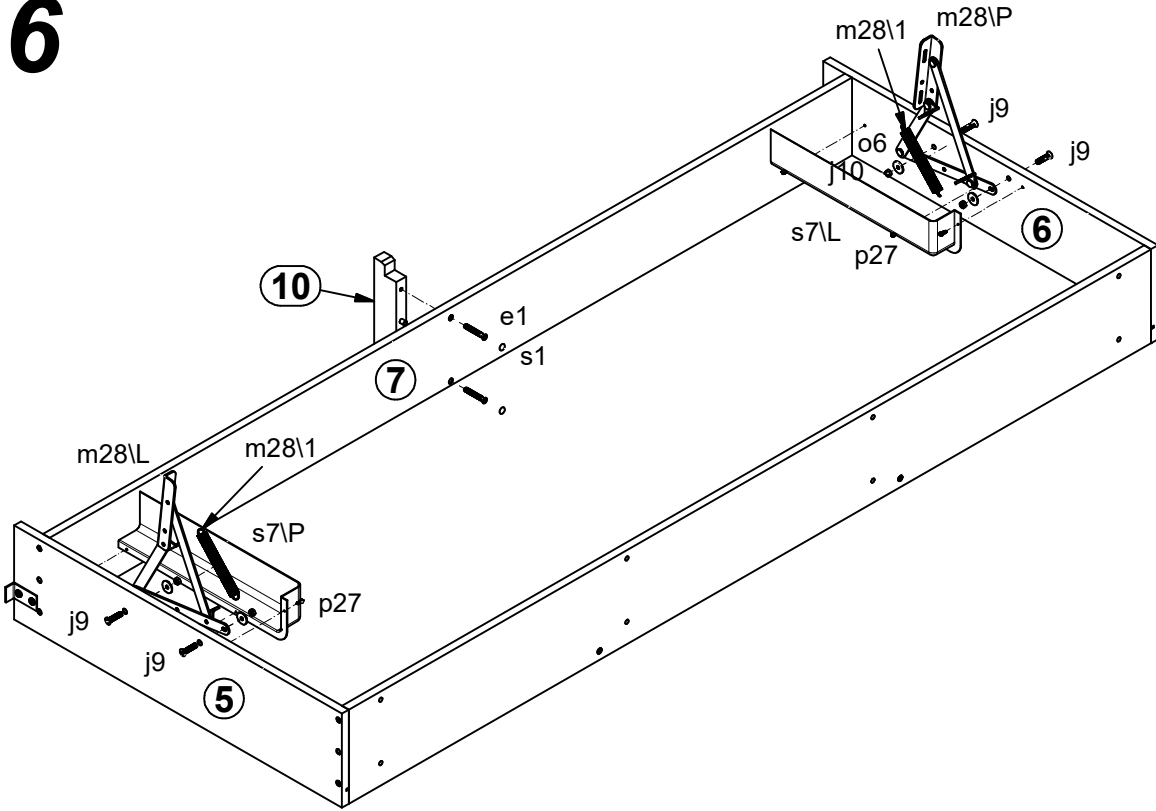
# 4



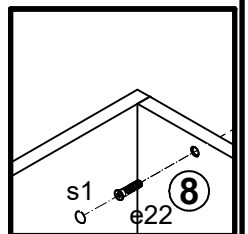
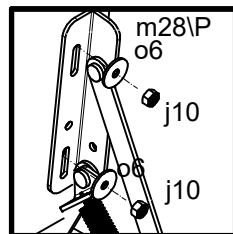
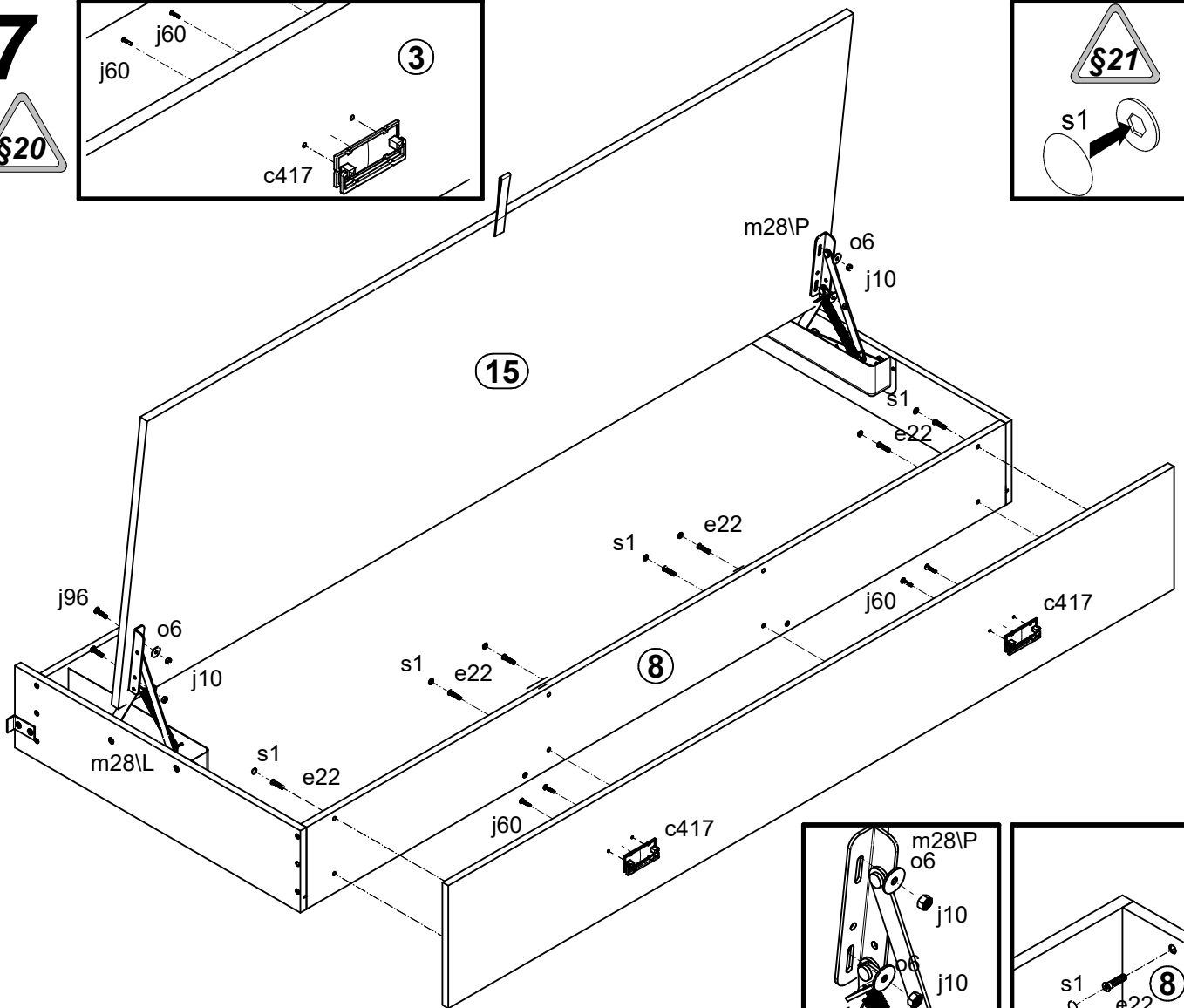
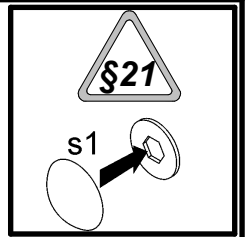
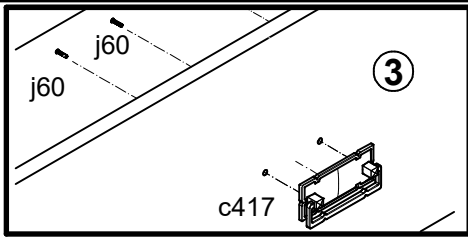
# 5



# 6



# 7



8

