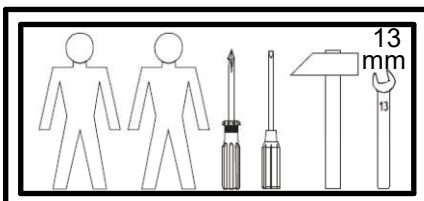
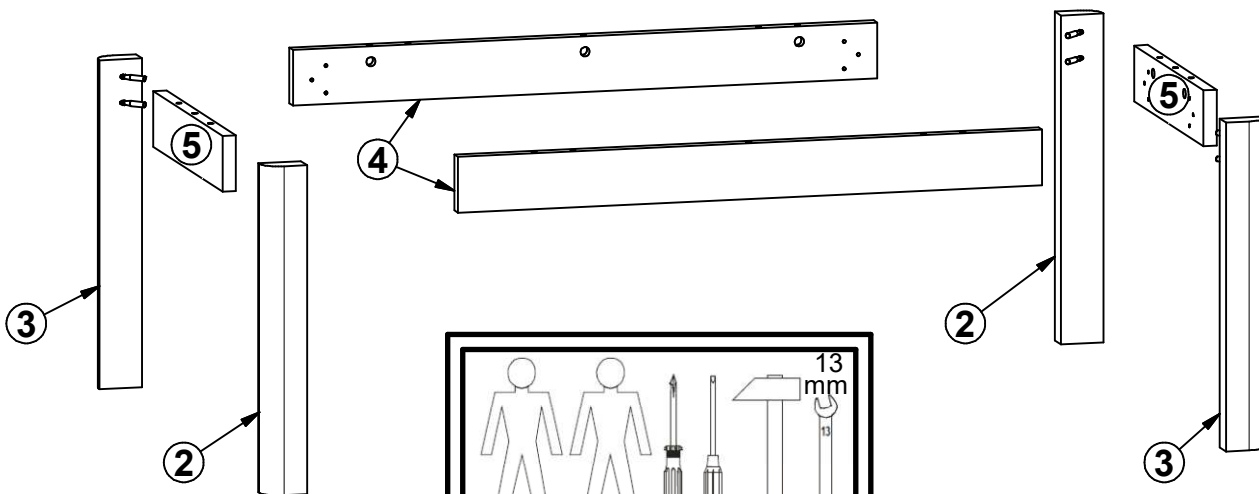
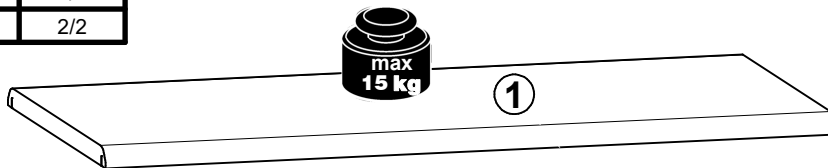
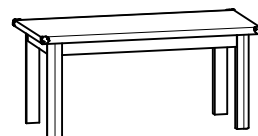
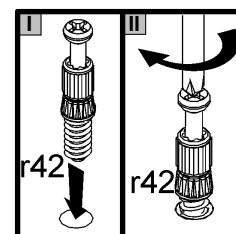
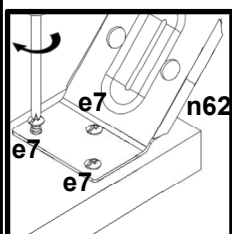
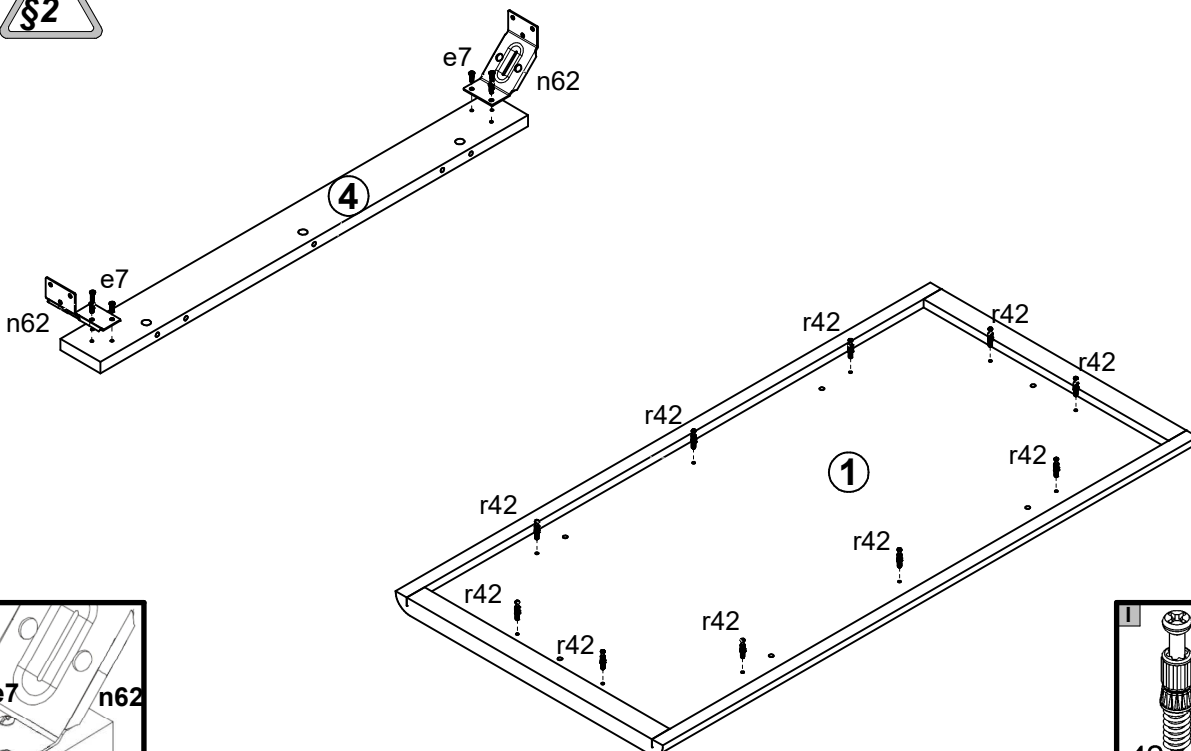
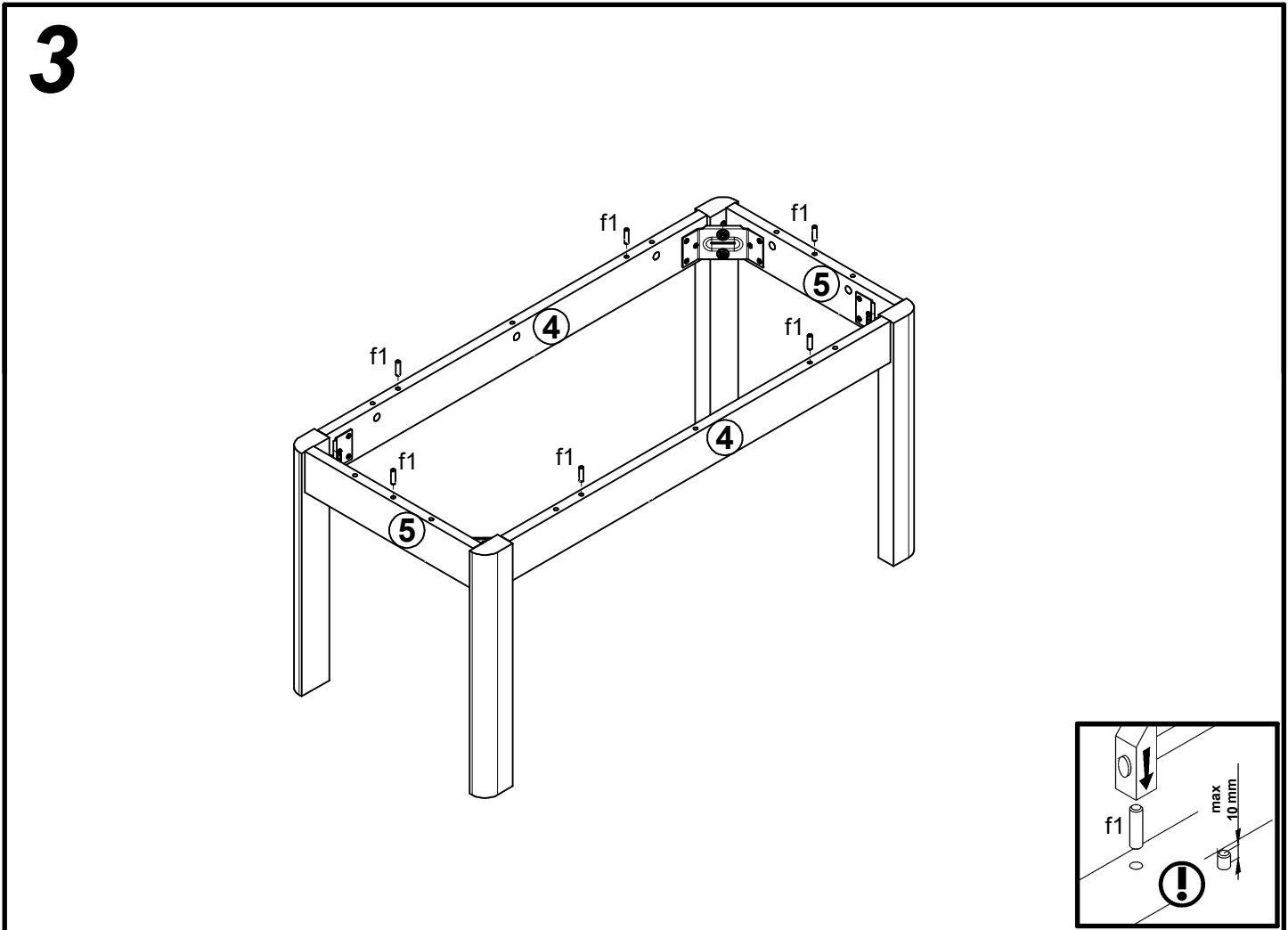
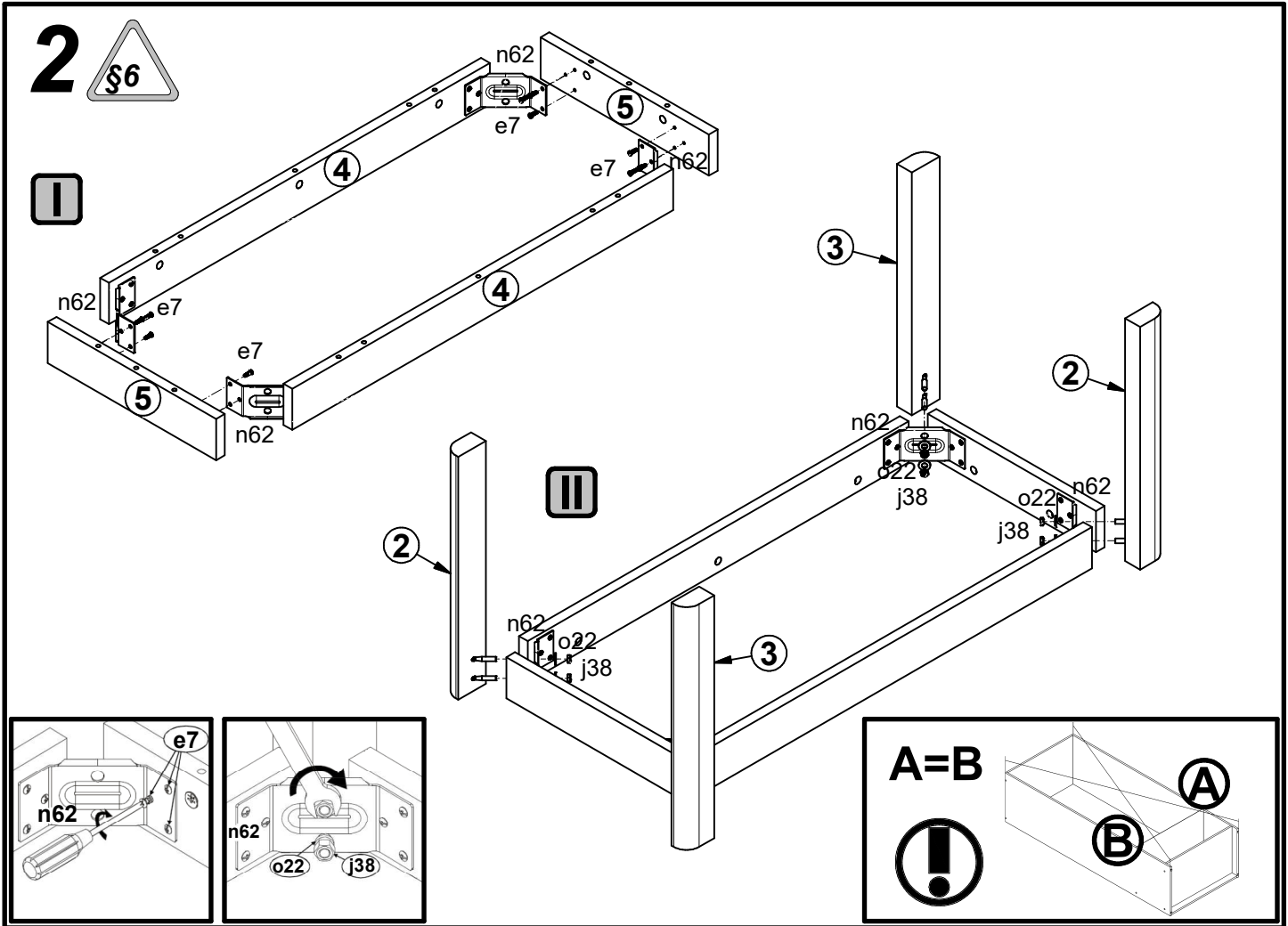


A	B	C	D	
1	S31-215	1200	600	1/2
2	S31-409	530	70	2/2
3	S31-410	530	70	2/2
4	S31-411	960	90	2/2
5	S31-412	424	90	2/2

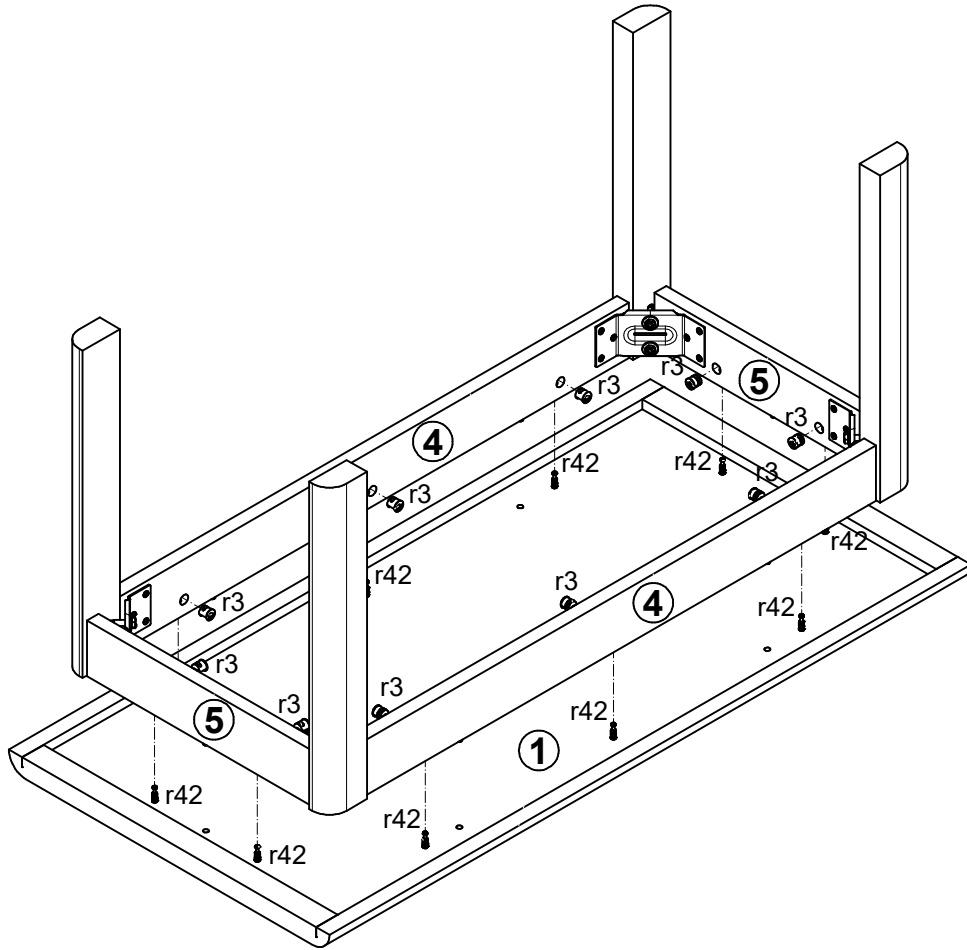


24x Ø6.3x16 mm e7	6x Ø8x30 mm f1	8x M8 j38	4x l27	4x n62	8x Ø10.5x2 mm o22	8x Ø3x12 mm p83	10x 2011 r42	10x Ø15x15 mm #22 r3
1x 4 mm z1								





# 4



# 5

