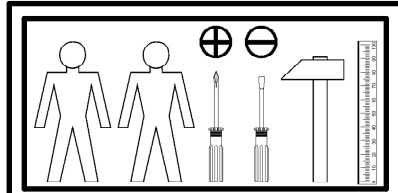
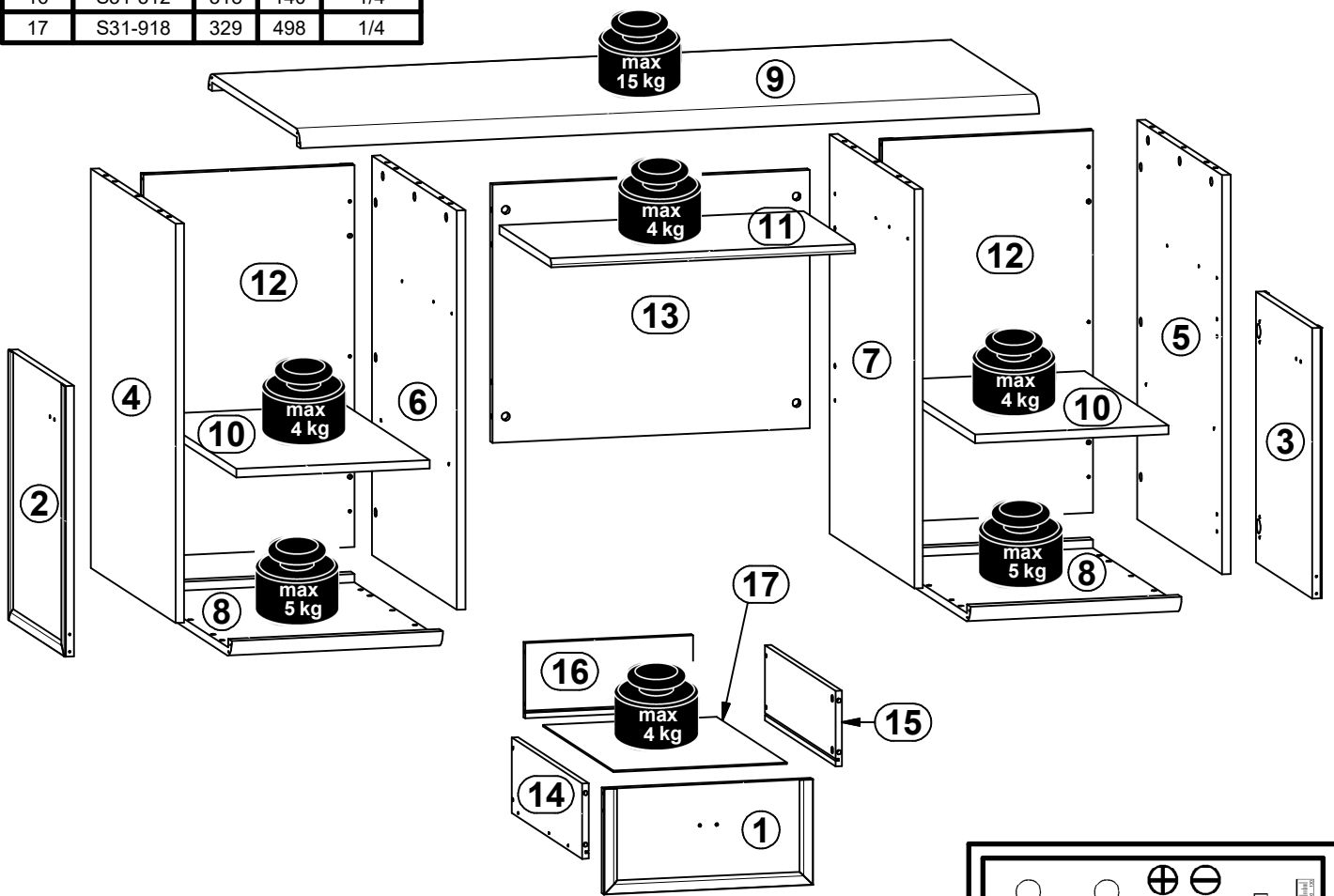
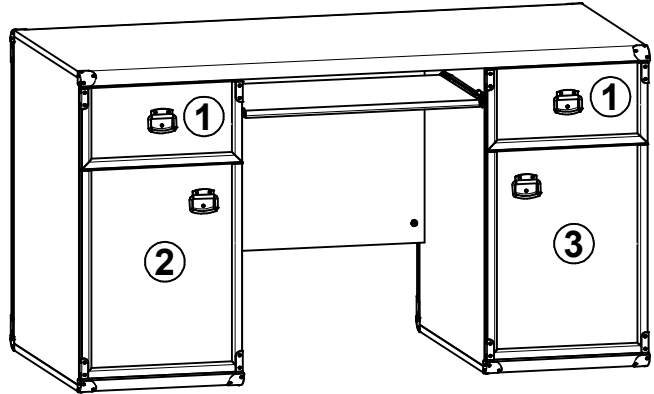
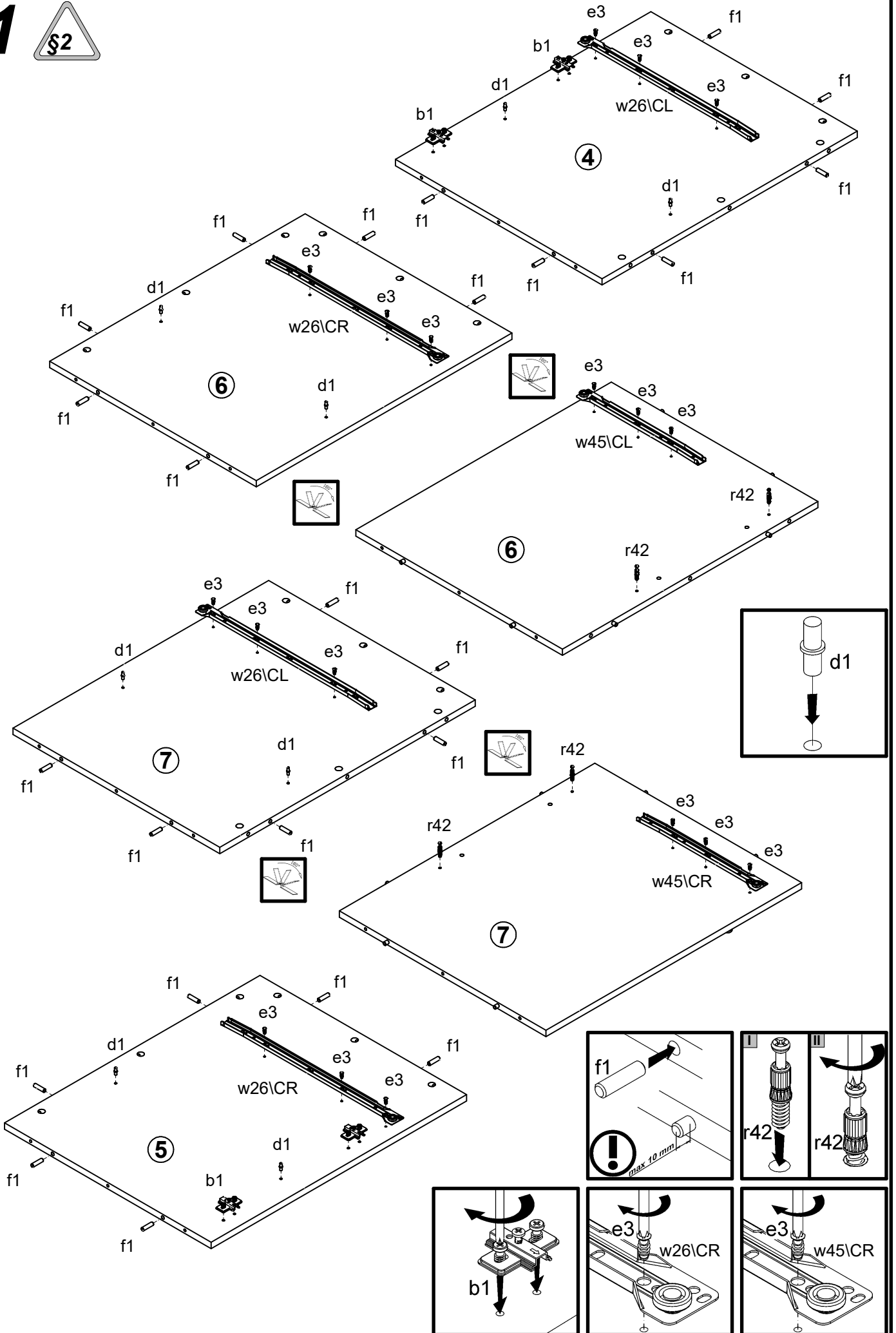


A	B	C	D	
1	S31-022	396	196	4/4
2	S31-023	503	396	4/4
3	S31-024	503	396	4/4
4	S31-125	742	600	1/4
5	S31-126	742	600	1/4
6	S31-127	742	600	1/4
7	S31-128	742	600	1/4
8	S31-220	400	650	2/4
9	S31-221	1400	650	3/4
10	S31-316	367	595	1/4
11	S31-317	576	365	1/4
12	S31-401	710	400	4/4
13	S31-402	601	480	1/4
14	S31-501	500	140	1/4
15	S31-502	500	140	1/4
16	S31-512	318	140	1/4
17	S31-918	329	498	1/4

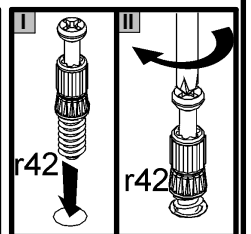
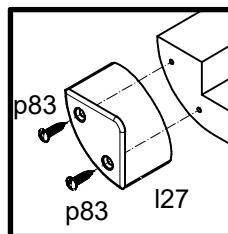
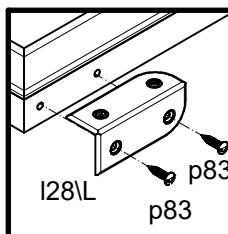
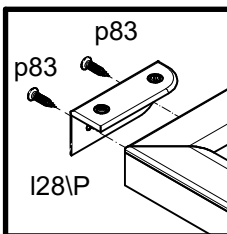
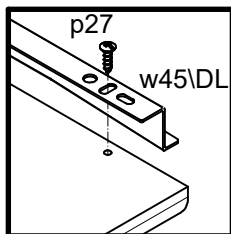
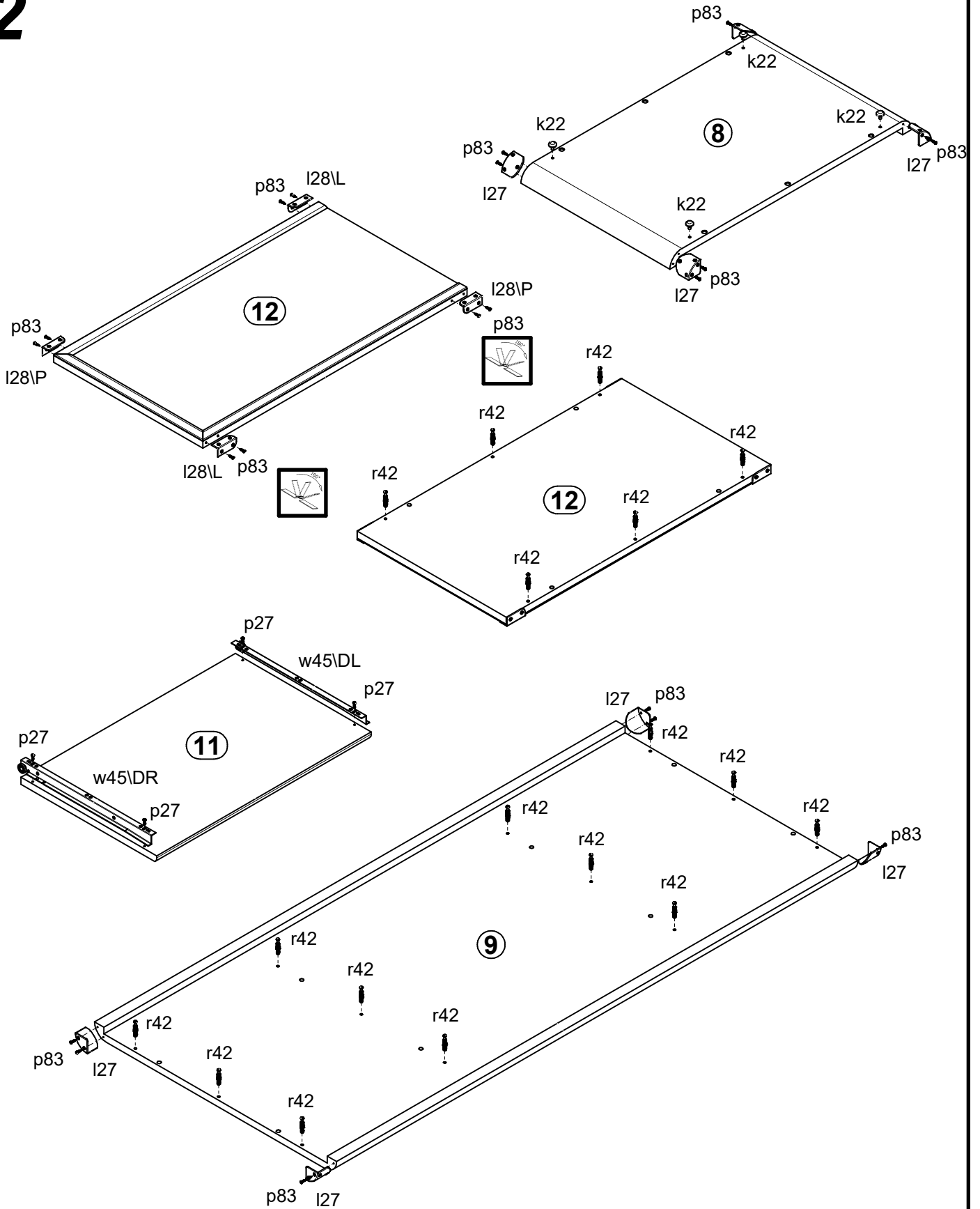


4x a2	4x b1	4x c158	8x d1 Ø5x17 mm	12x e1 Ø7x50 mm	12x e19 Ø5x9 mm	18x e3 Ø6x13 mm	28x f1 Ø8x30 mm	8x f25 Ø6,5x40 mm
8x j30 M4x22 mm	8x k22 Ø15	12x l27	8x l28/L	8x l28/P	4x p27 Ø3,5x13 mm	56x p83 Ø3x12 mm	28x r1 Ø15x12 mm #16	8x r15 Ø12x10,5 mm #12
36x r42 20/11	16x s2 Ø16	2x w26\CL 500 mm	2x w26\CR 500 mm	2x w26\DL 500 mm	2x w26\DR 500 mm	1x w45\CL 350 mm	1x w45\CR 350 mm	1x w45\DL 350 mm
1x w45\DR 350 mm	1x z1 4 mm							

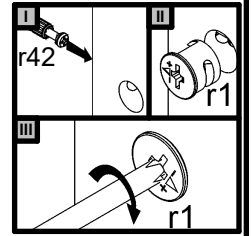
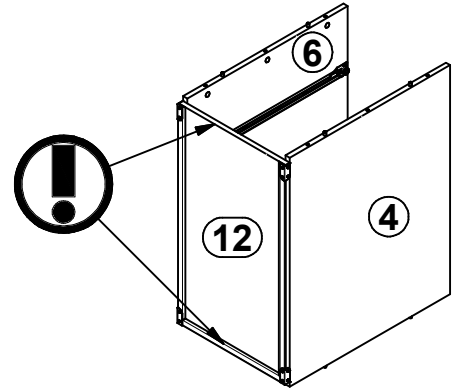
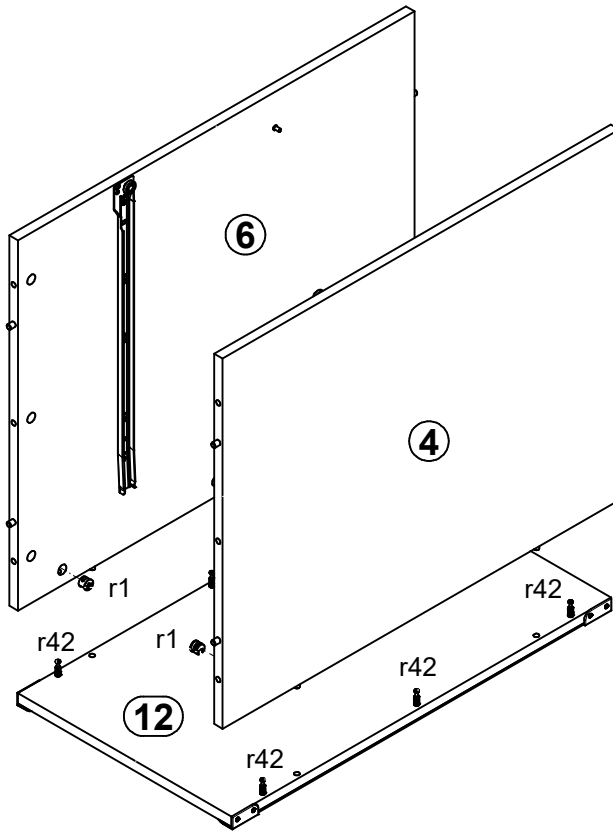
1



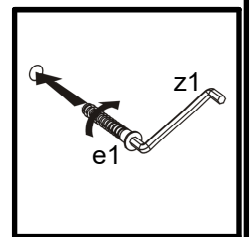
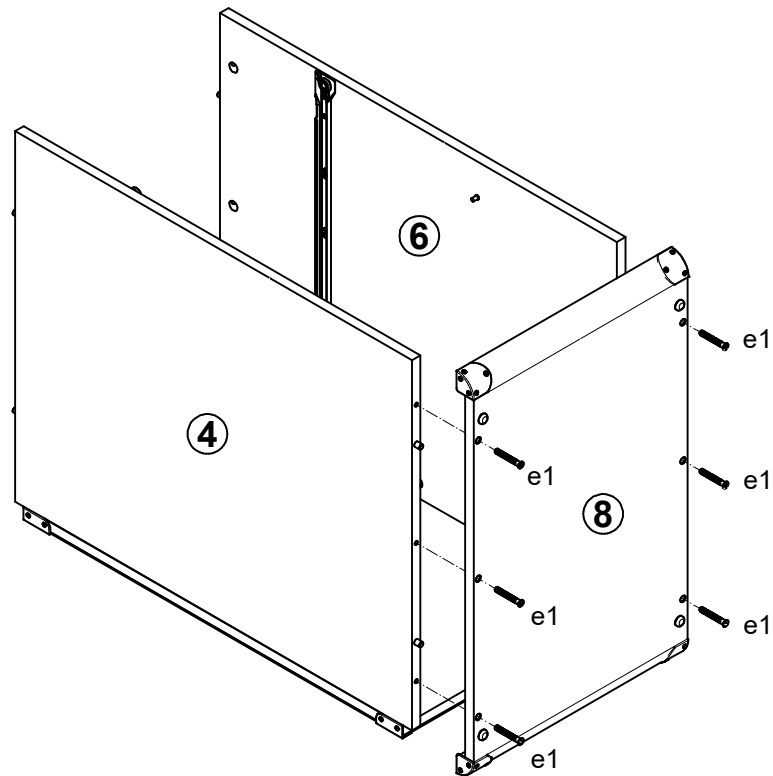
2



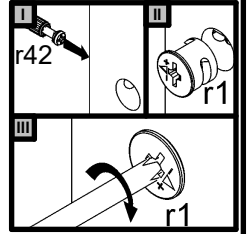
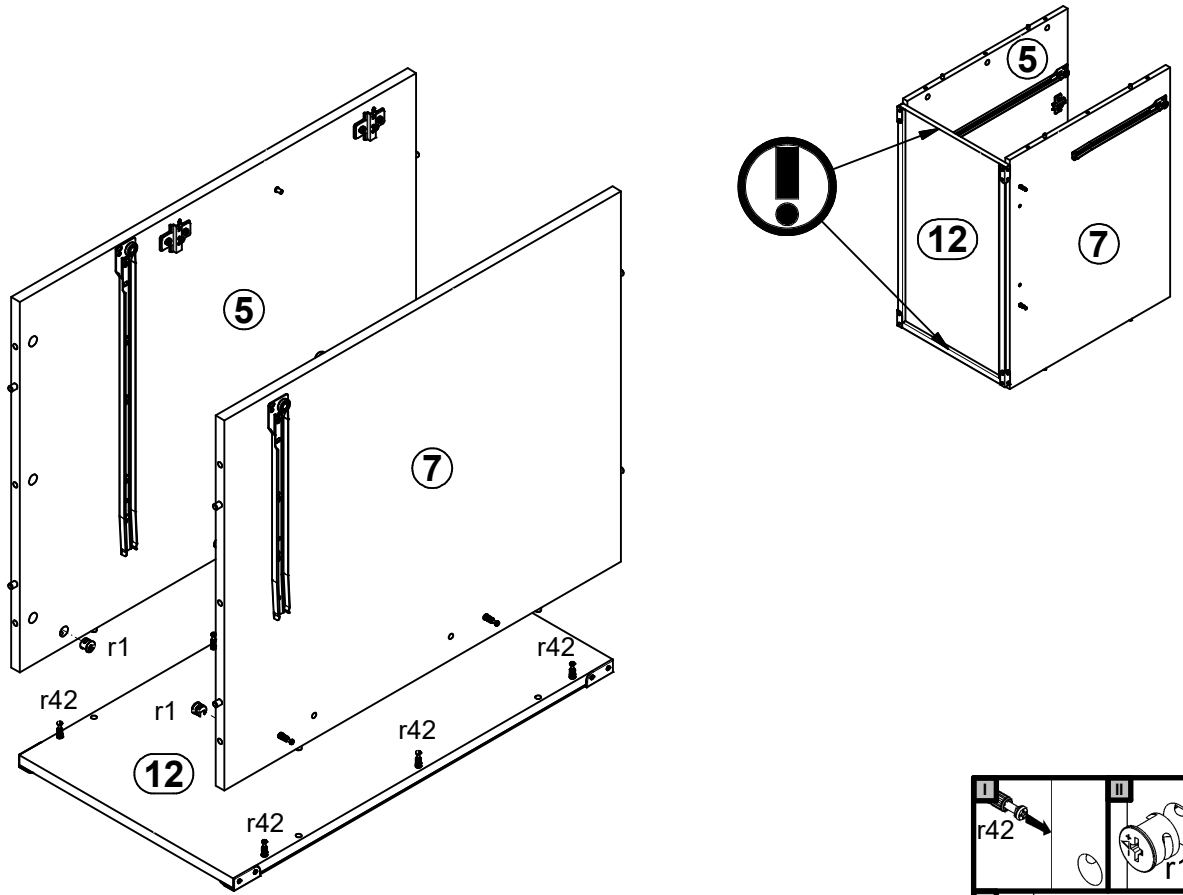
3



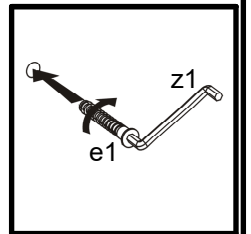
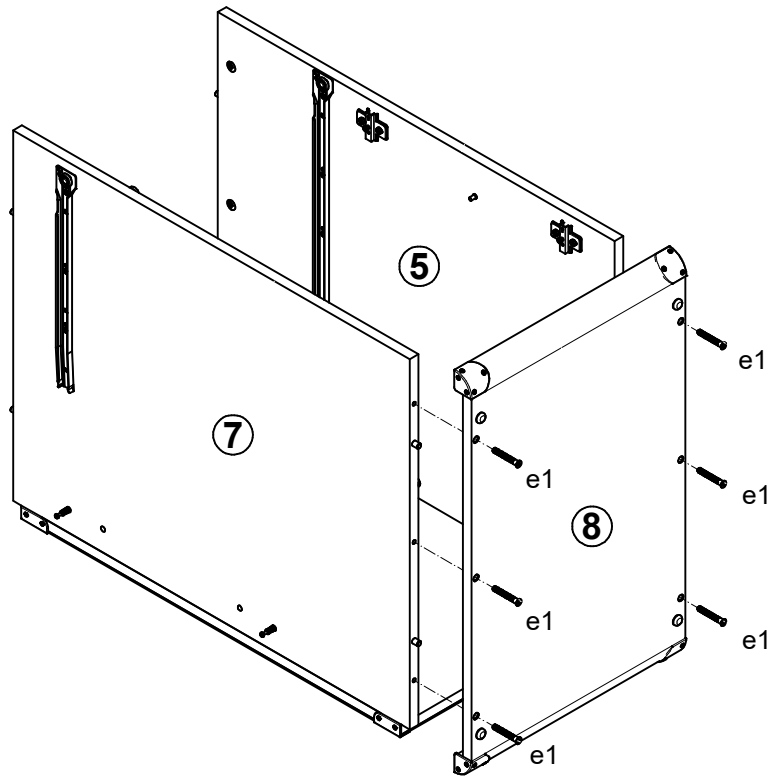
4



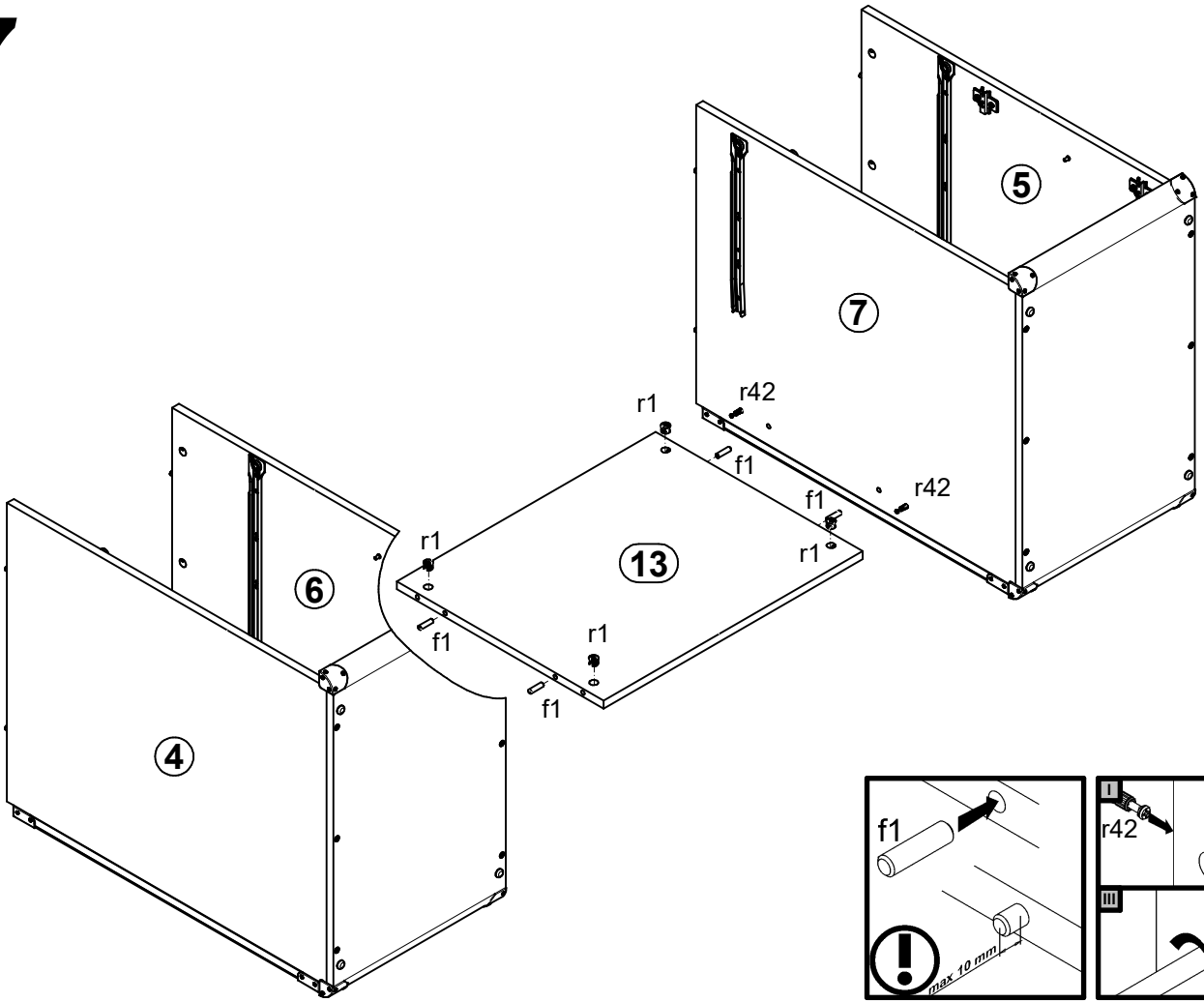
5



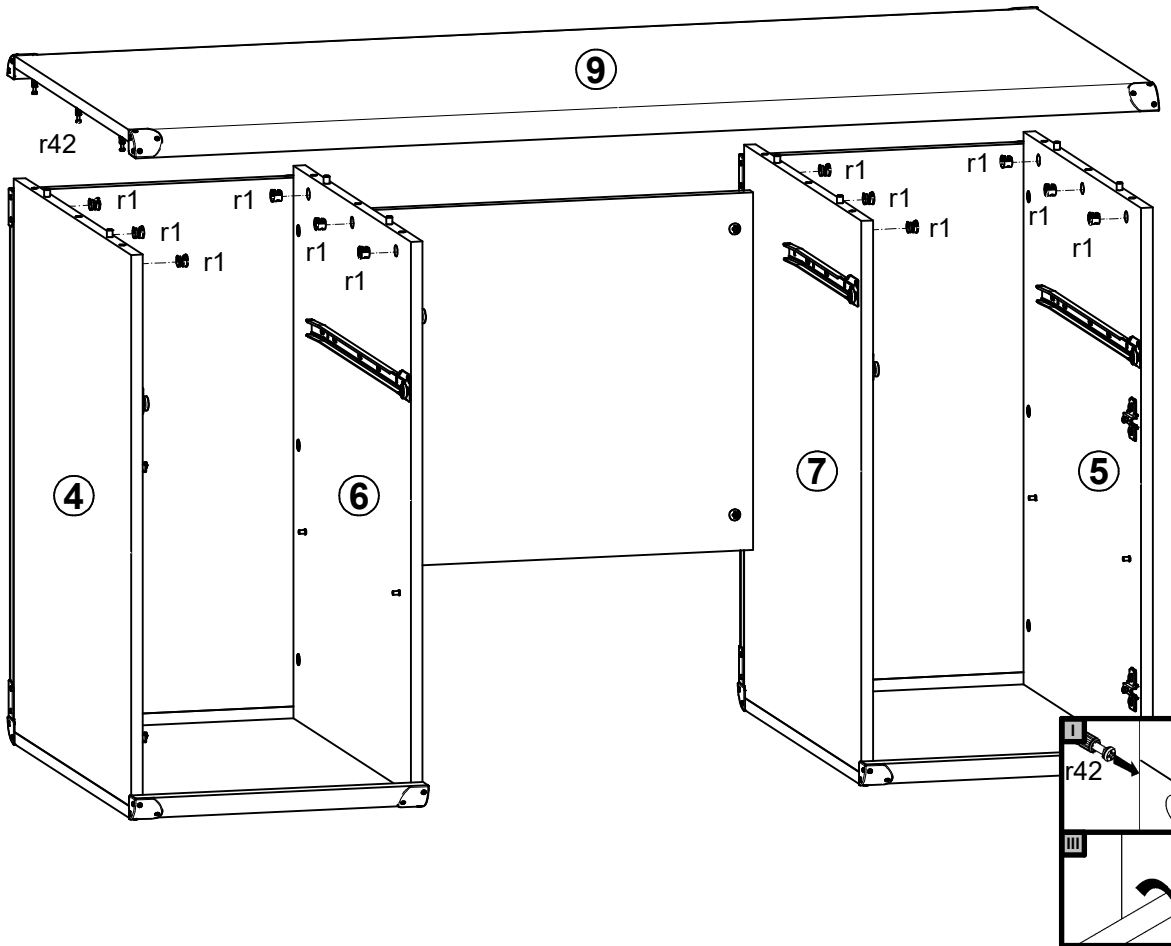
6



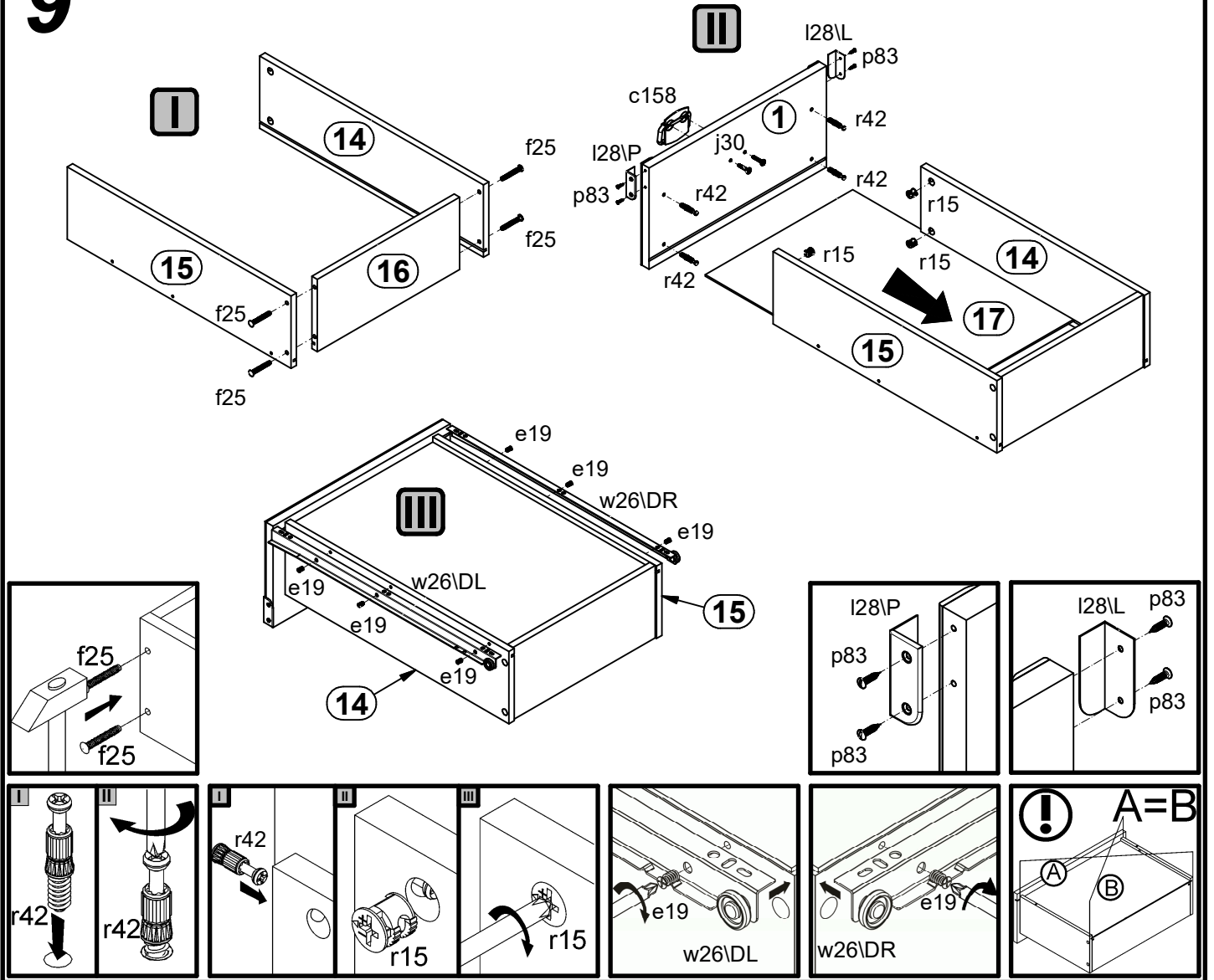
7



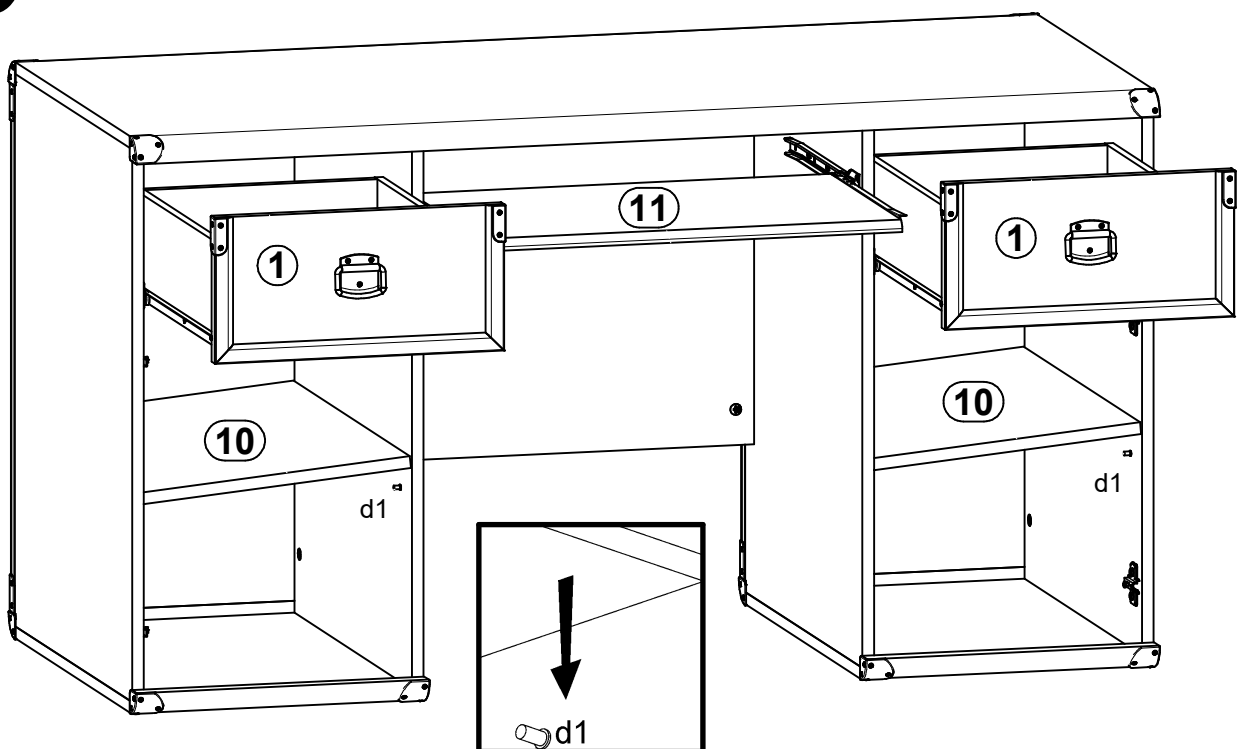
8



9



10



11

