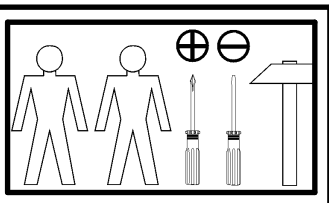
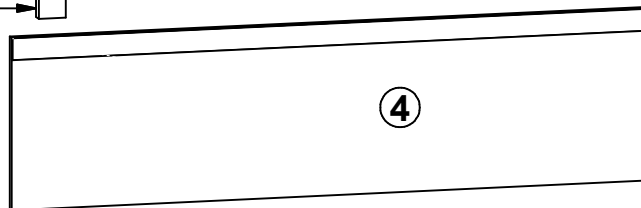
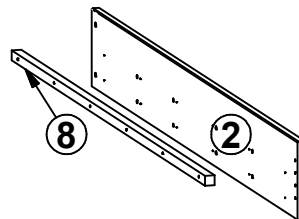
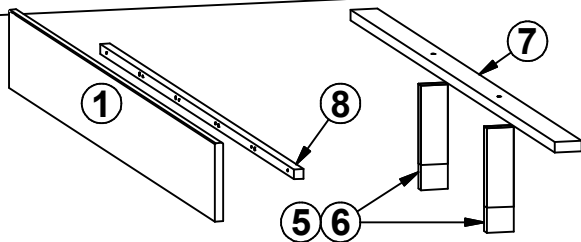
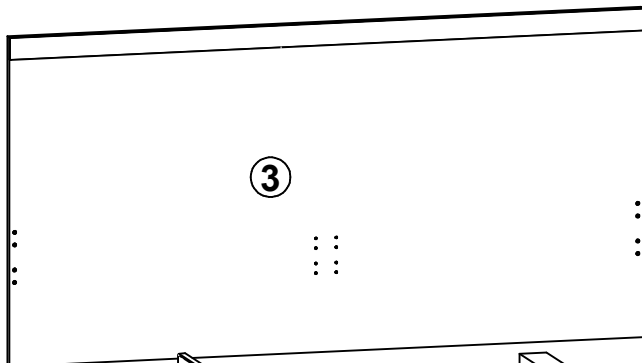
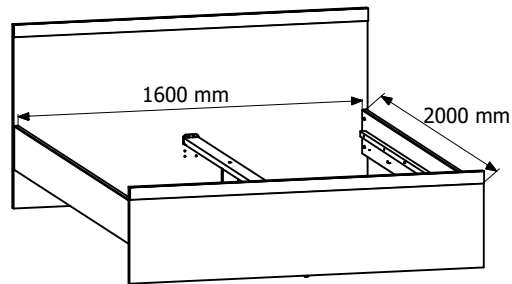


A

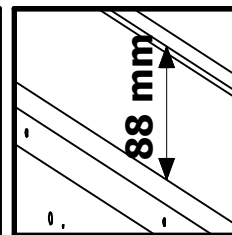
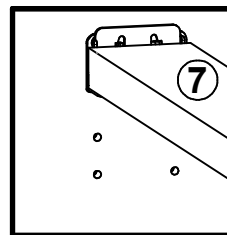
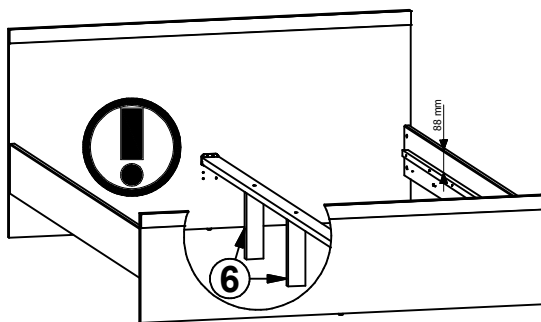
PORTO

S322-LOZ/160 S439-LOZ/160

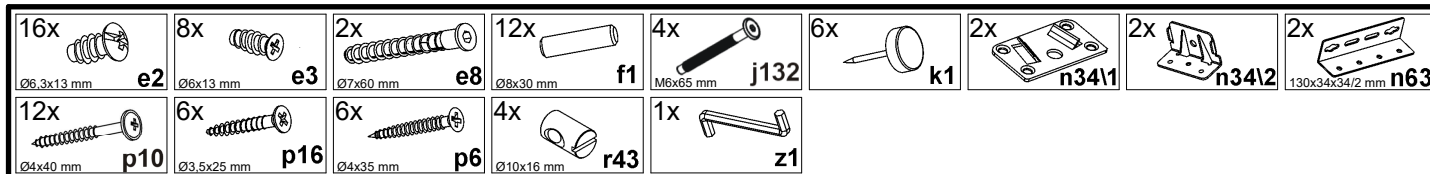
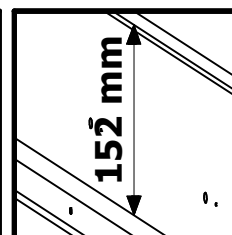
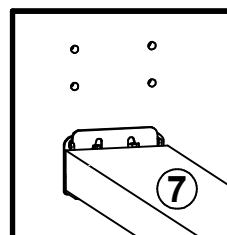
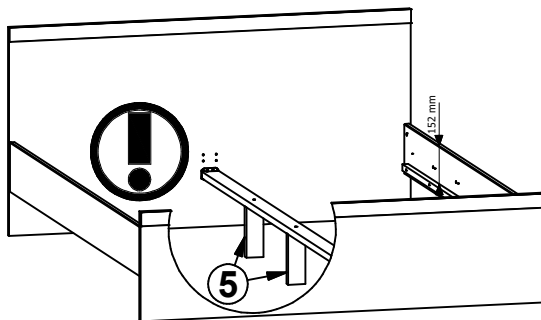
A	B	C		D	A	B	C	D
1	S322-150	2000	200	1/2	5	ZZ1-412	203	70
2	S322-151	2000	200	1/2	6	ZZ1-423	267	70
3	S322-427	1650	840	2/2	7	ZZ1-719	1983	70
4	S322-428	1650	440	2/2	8	ZZ1-747	1880	25



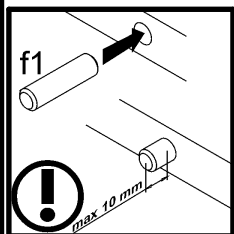
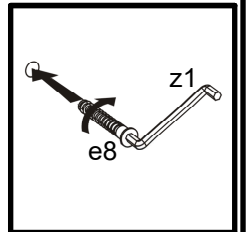
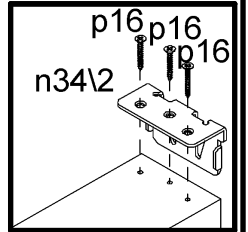
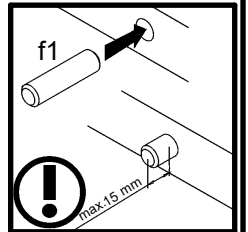
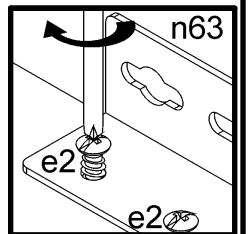
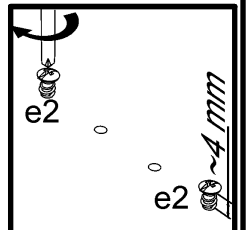
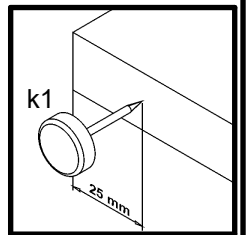
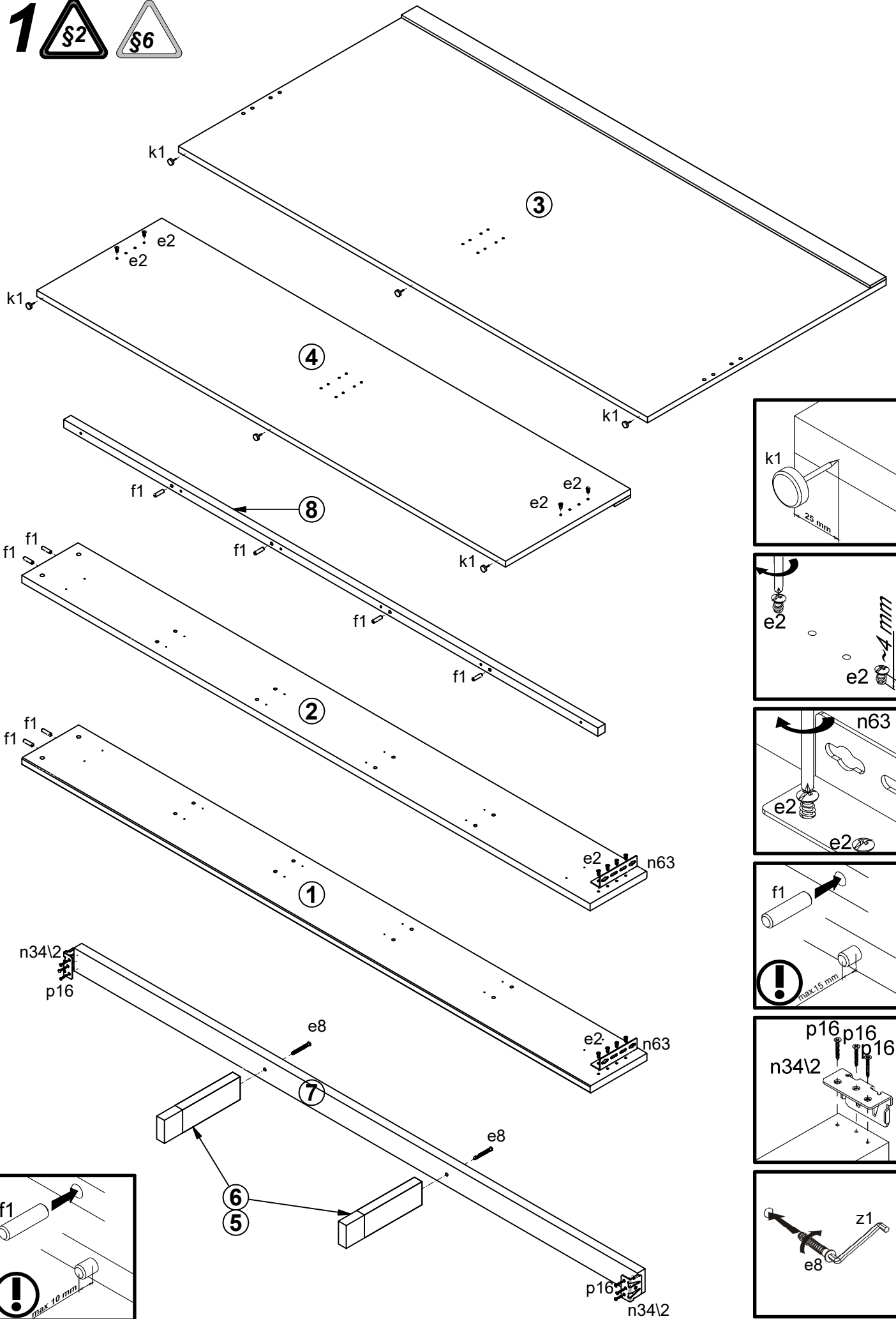
A

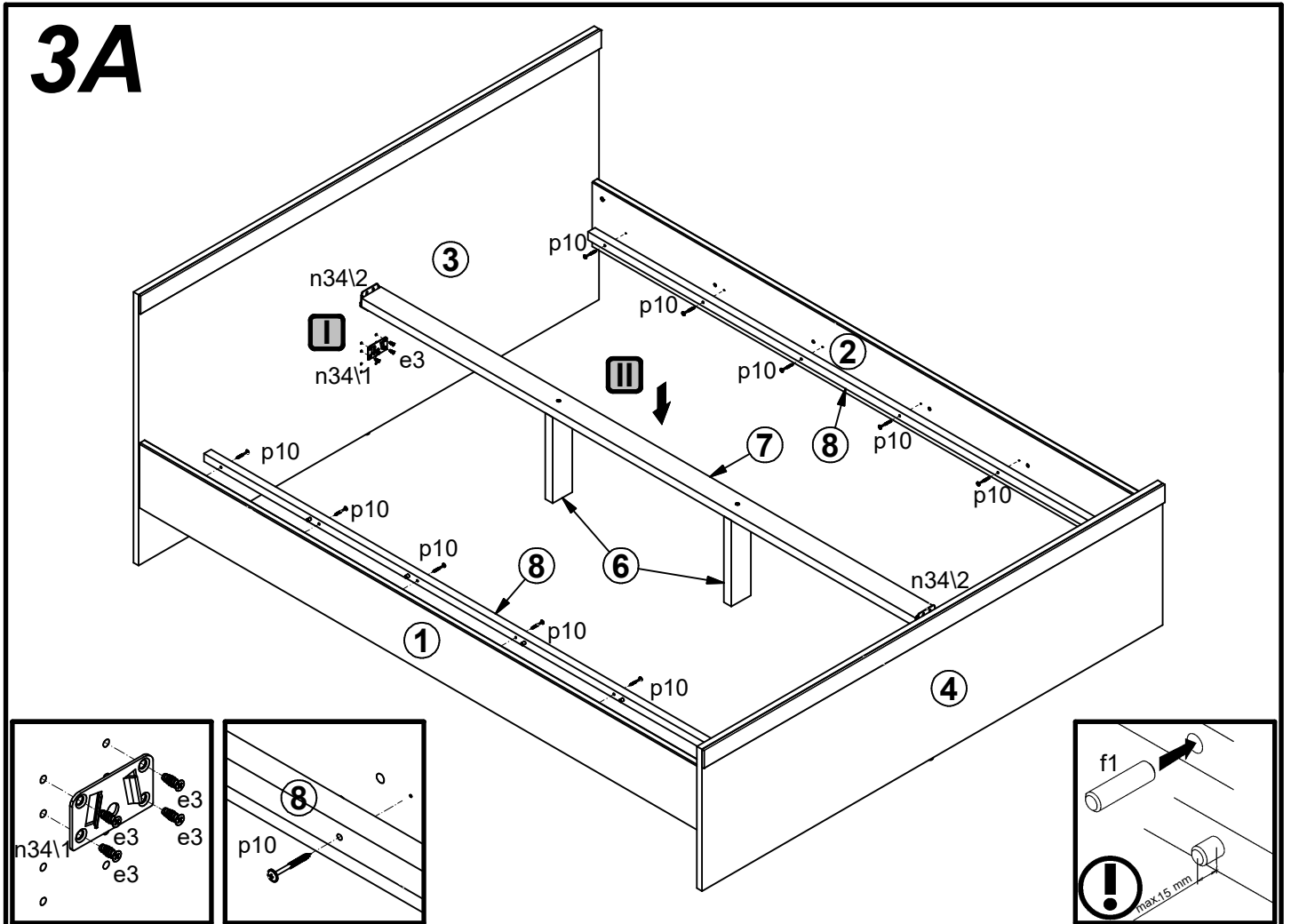
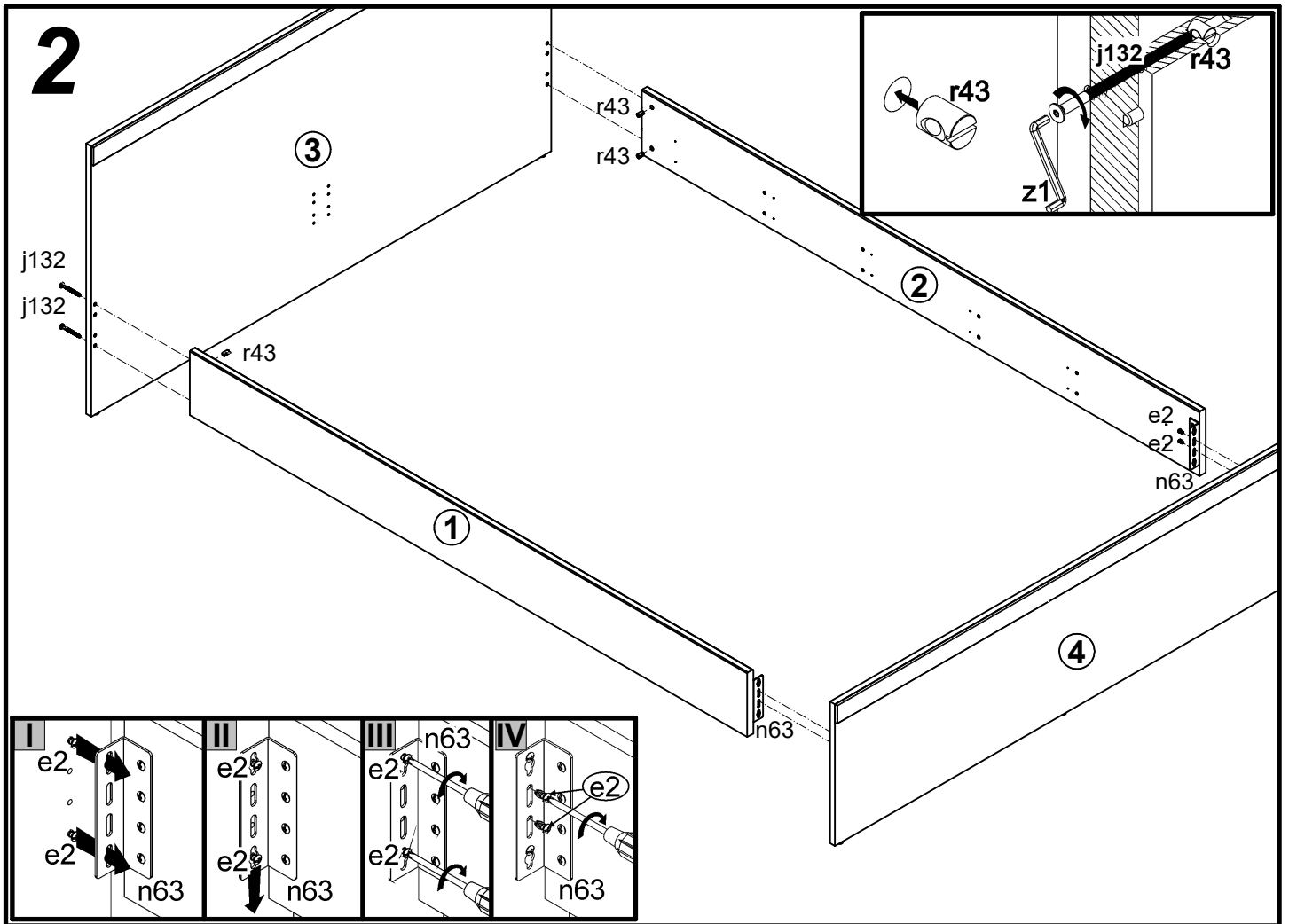


B

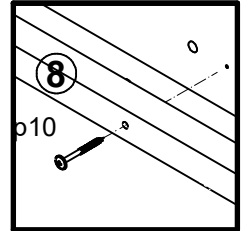
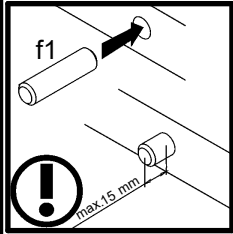
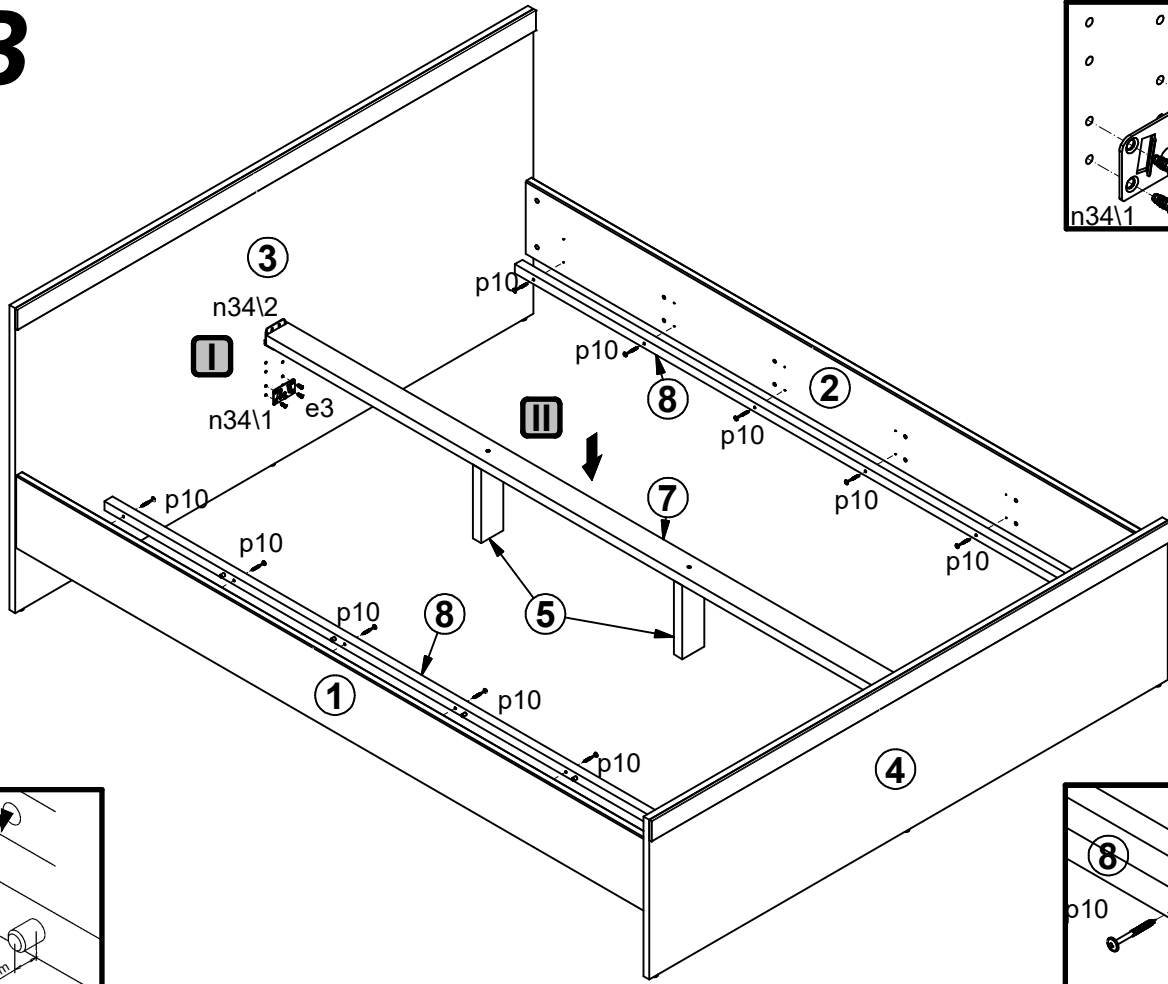


1  





3B



4

