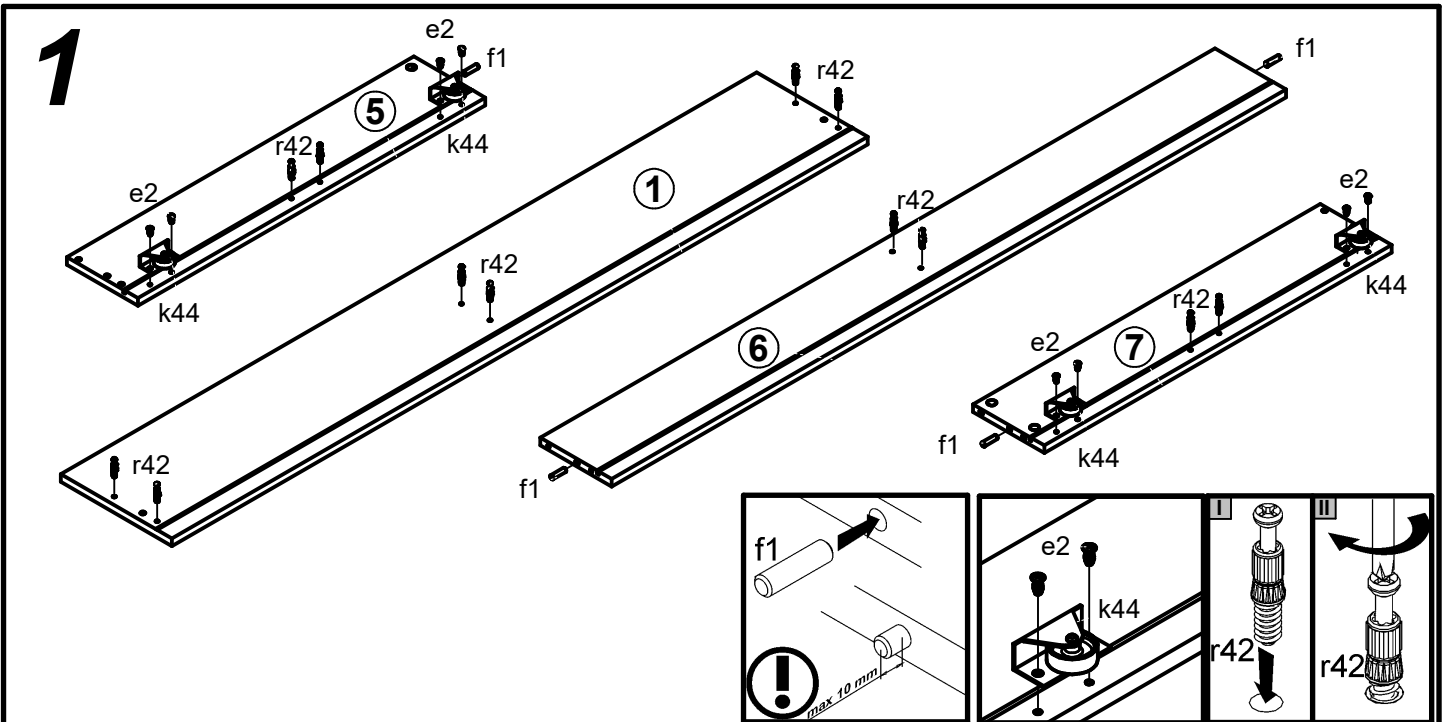
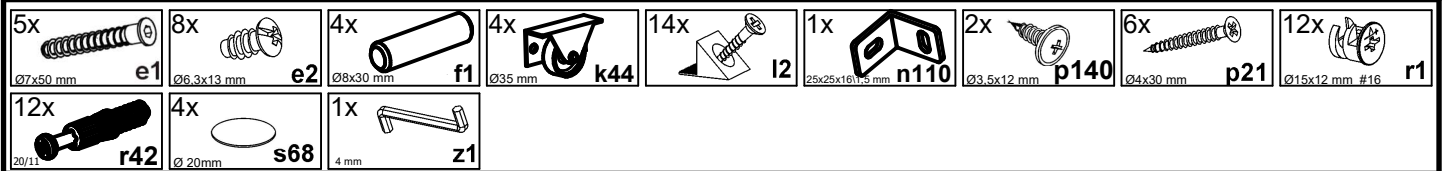
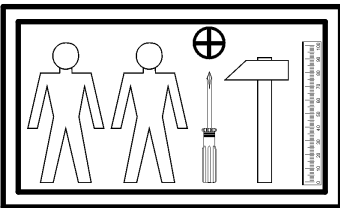
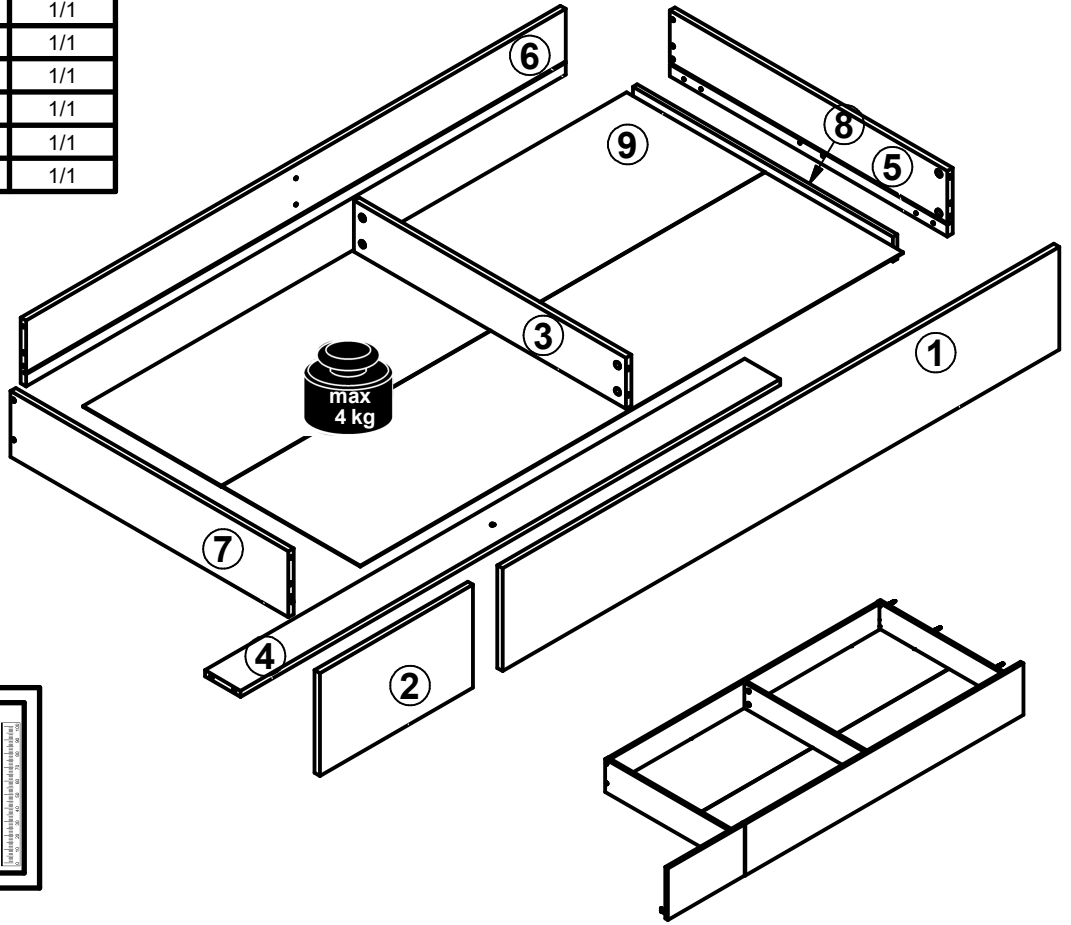
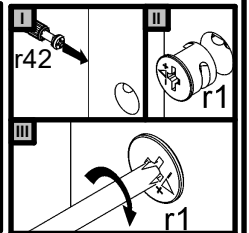
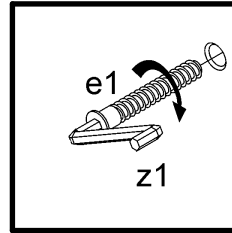
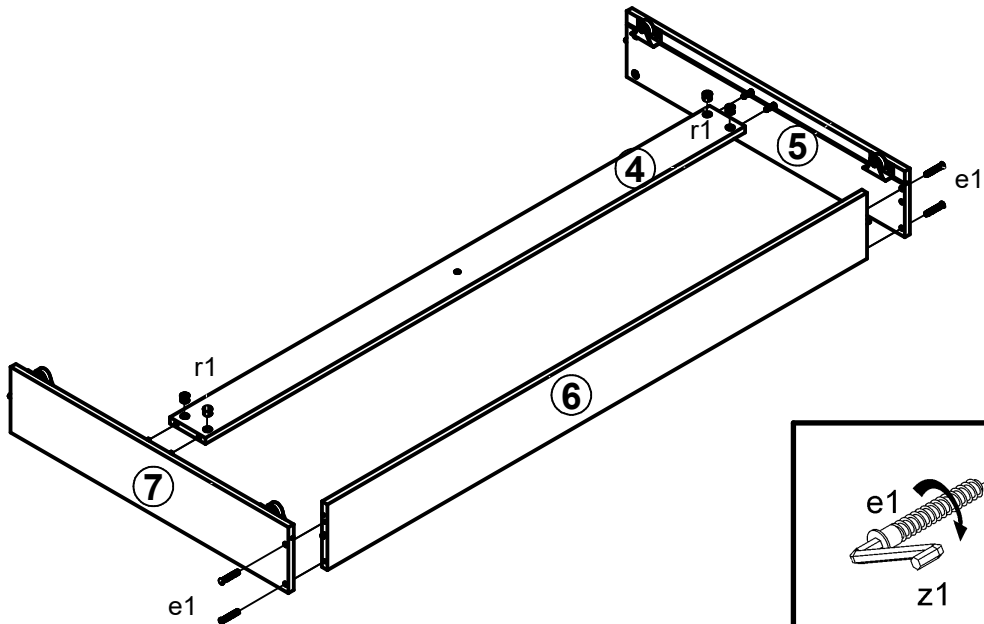


A NANDU S441-SZU

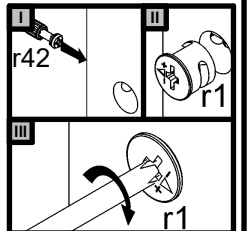
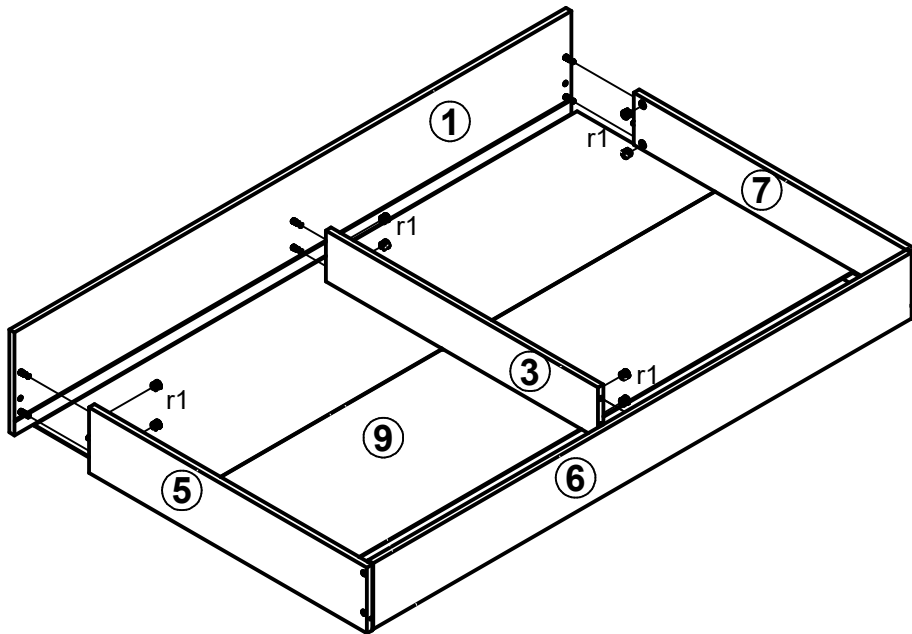
A	B	C	D	
1	S441-0005	1563,	250,	1/1
2	S441-0006	430	250	1/1
3	S441-4009	764,	124,	1/1
4	S441-4010	1515	100,	1/1
5	S441-5003	780	160	1/1
6	S441-5004	1515	160,	1/1
7	S441-5005	780	160	1/1
8	S441-5006	730	60	1/1
9	S441-9303	1525	777	1/1



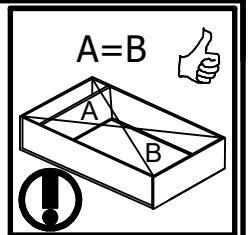
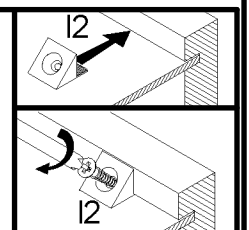
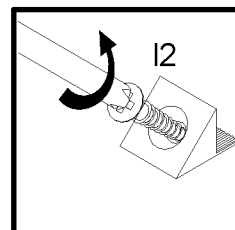
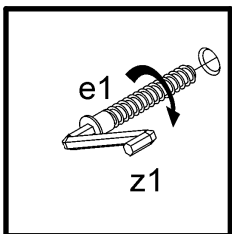
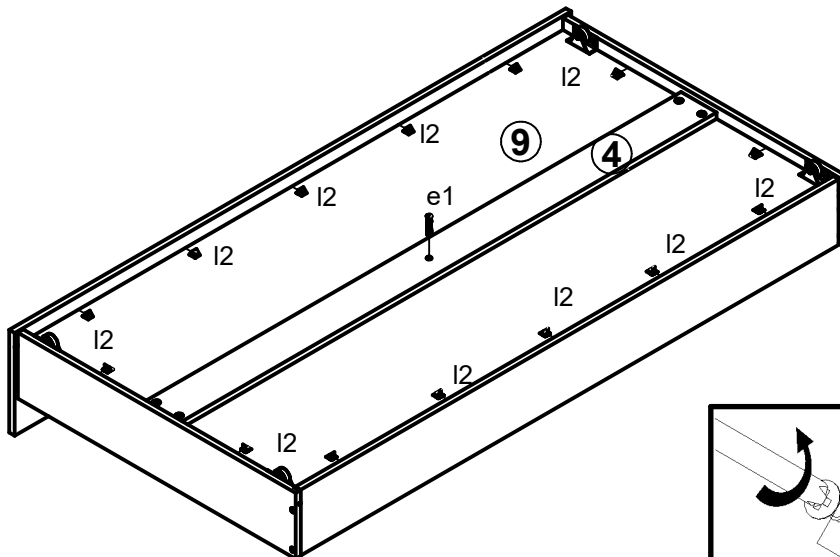
2



3



4



5

