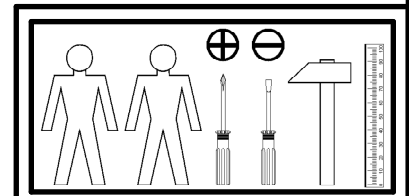
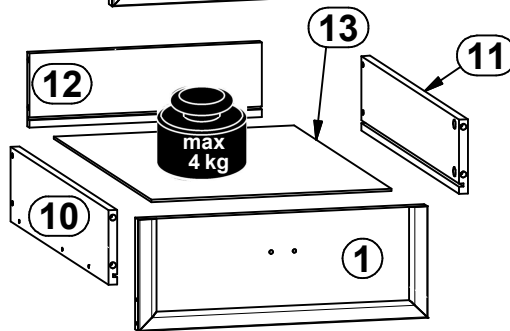
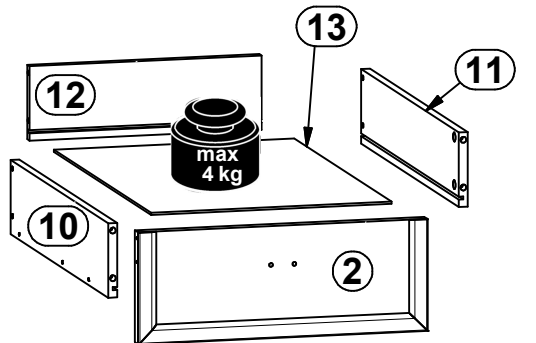
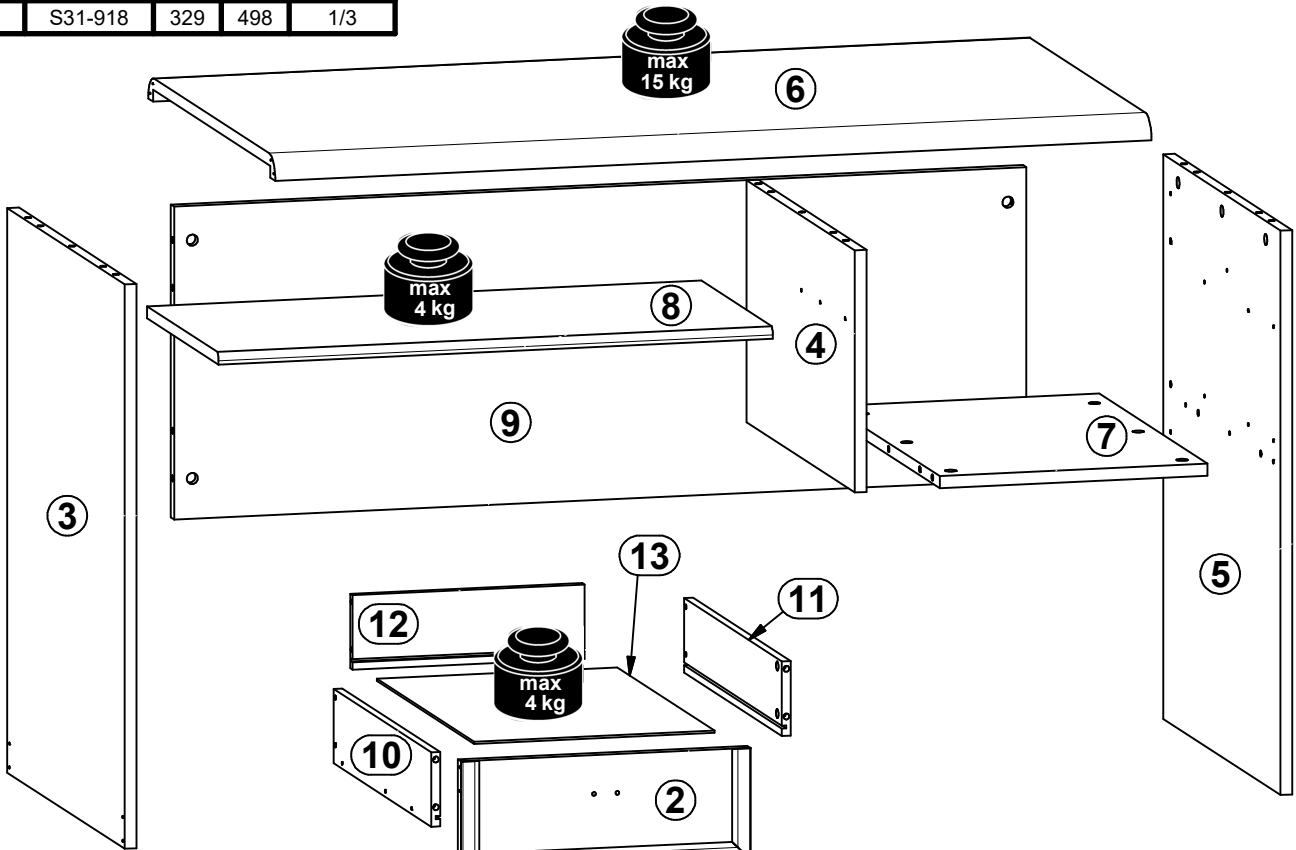
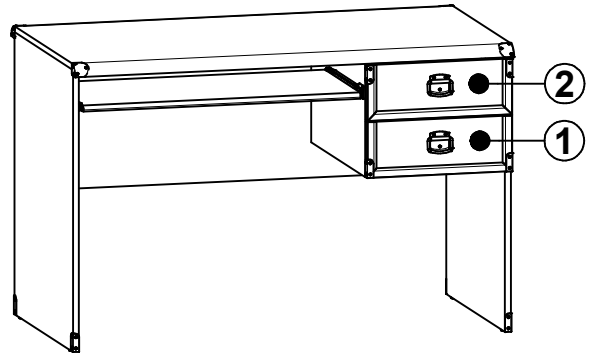
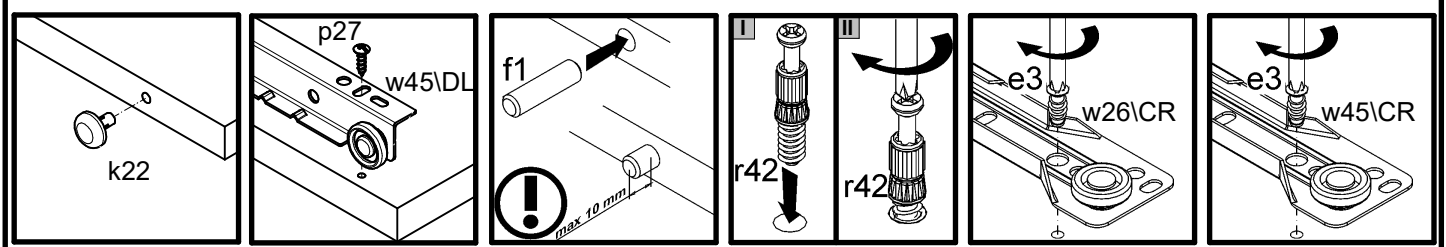
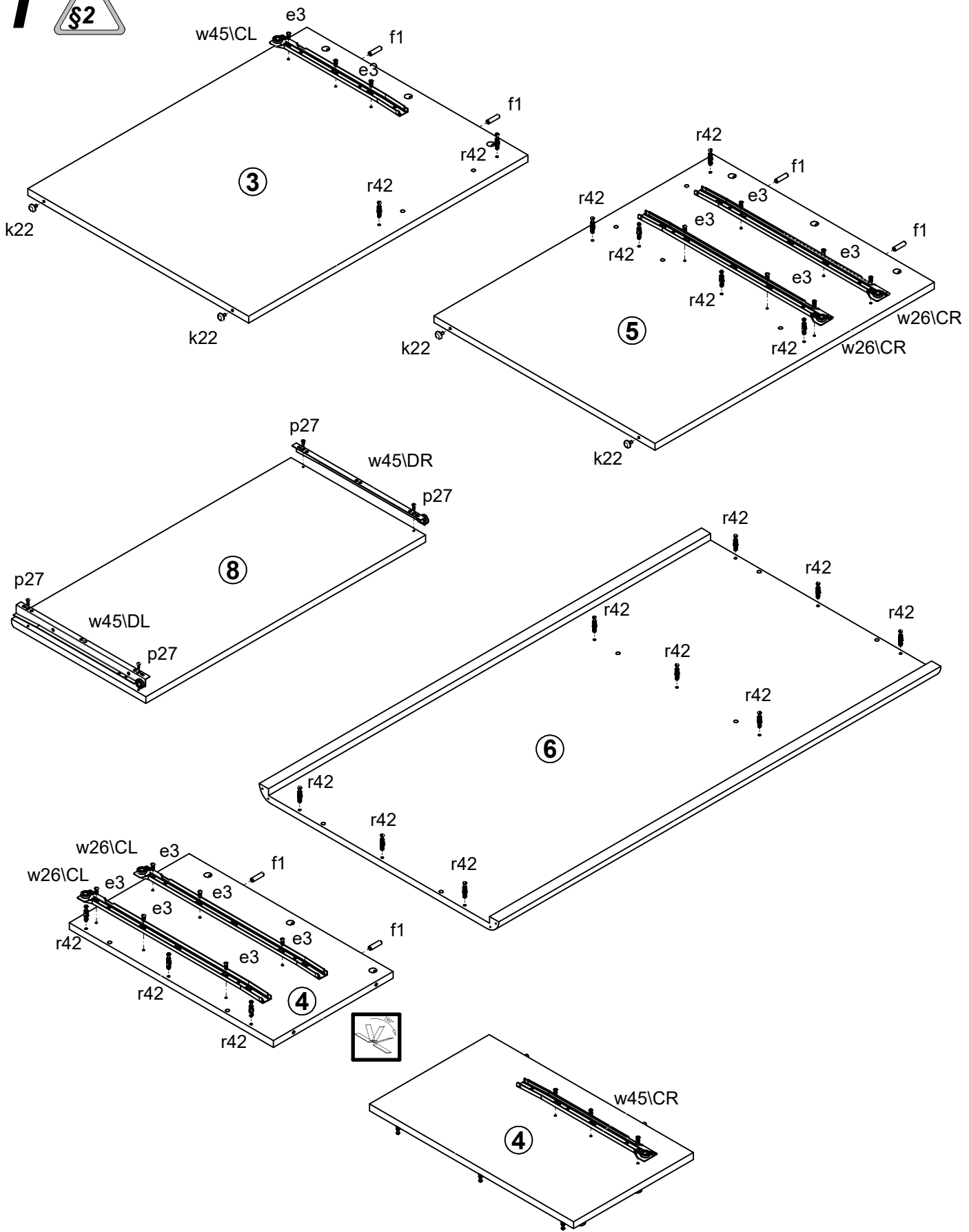


A	B	C	D	
1	S31-028	396	150	3/3
2	S31-029	396	150	3/3
3	S31-129	758	600	1/3
4	S31-141	325	554	1/3
5	S31-147	758	600	1/3
6	S31-222	1200	650	2/3
7	S31-309	367	554	1/3
8	S31-318	759	365	1/3
9	S31-403	1167	420	2/3
10	S31-509	500	100	1/3
11	S31-510	500	100	1/3
12	S31-513	318	100	1/3
13	S31-918	329	498	1/3

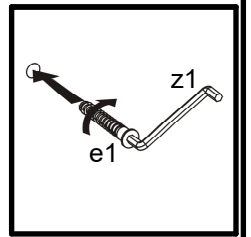
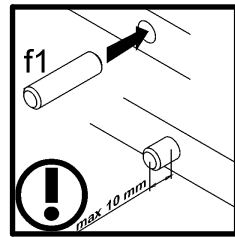
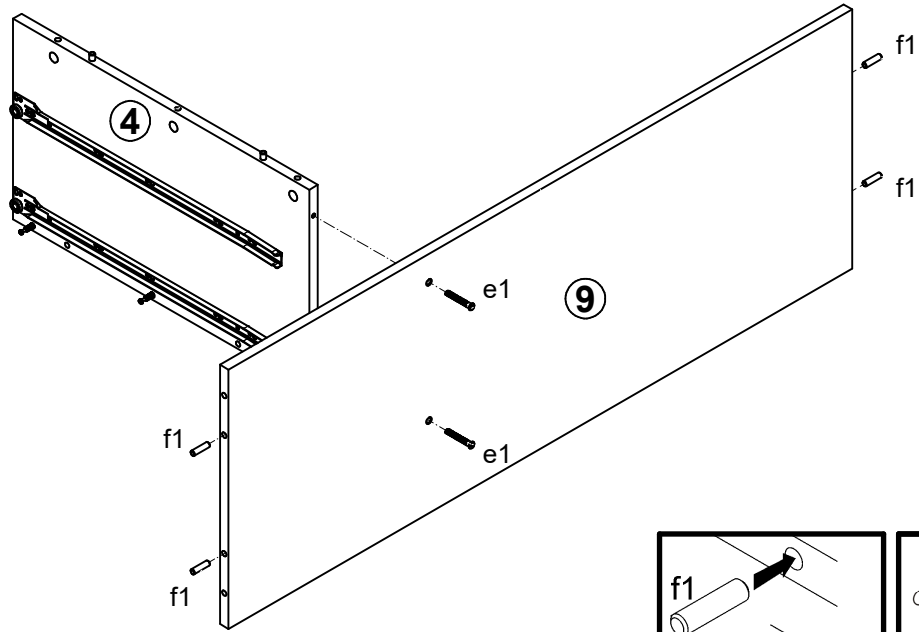


2x c158	2x e1 Ø7x50 mm	18x e3 Ø6x13 mm	12x e19 Ø5x9 mm	14x f1 Ø8x30 mm	8x f25 Ø6.5x40 mm	4x j30 M4x22 mm	4x k22 Ø15	4x l27
4x l28L	4x l28P	4x p27 Ø3.5x13 mm	24x p83 Ø3x12 mm	19x r1 Ø15x12 mm #16	8x r15 Ø12x10.5 mm #12	27x r42 20/11	2x s1	7x s2 Ø16
2x w26ICL 500 mm	2x w26ICR 500 mm	2x w26IDL 500 mm	2x w26IDR 500 mm	1x w45ICL 350 mm	1x w45ICR 350 mm	1x w45IDL 350 mm	1x w45IDR 350 mm	1x z1 4 mm

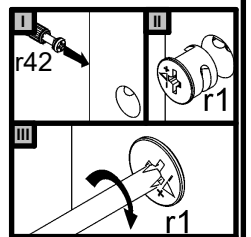
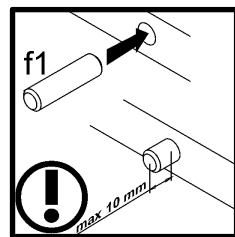
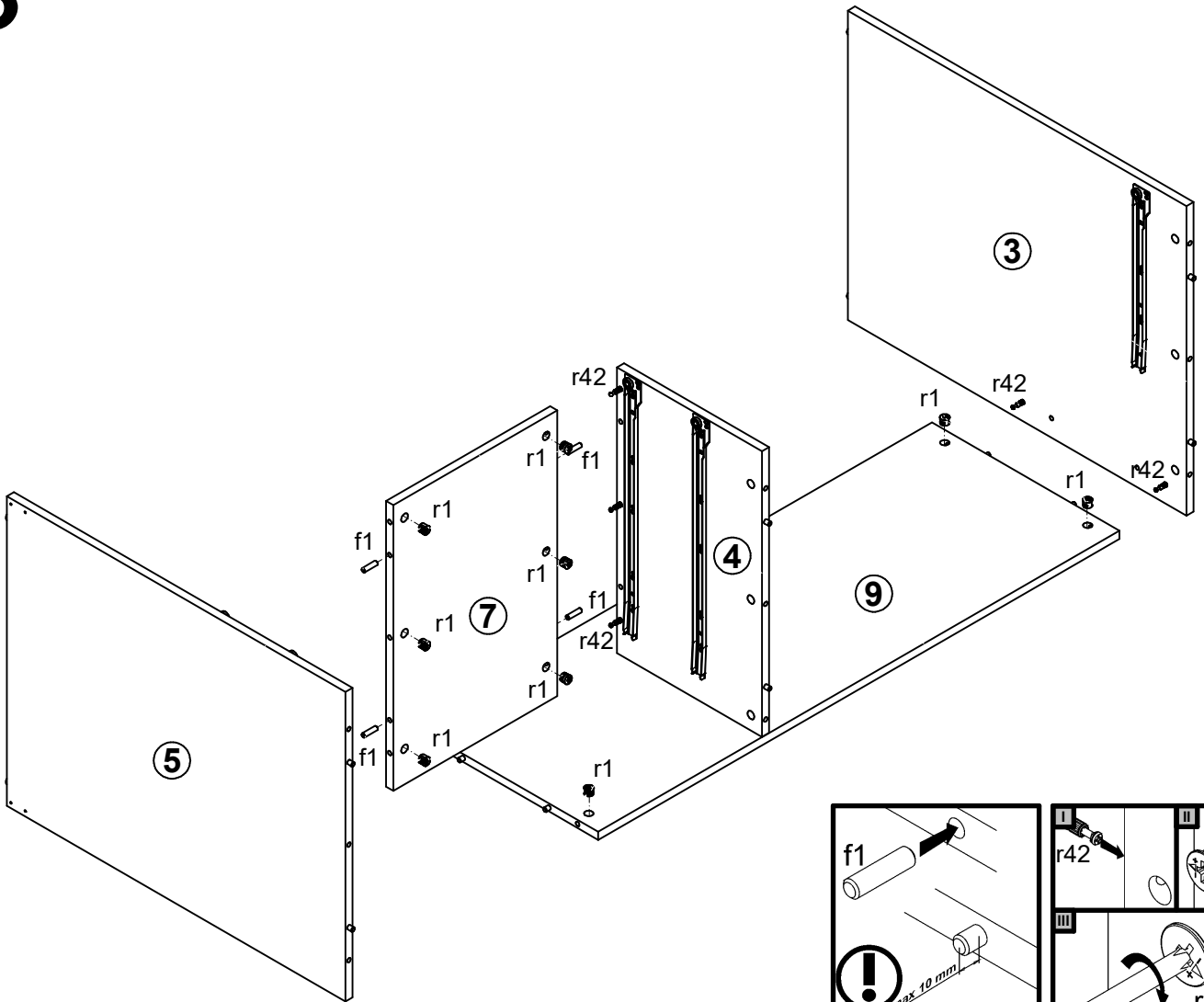
1



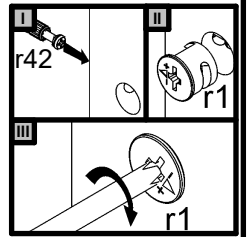
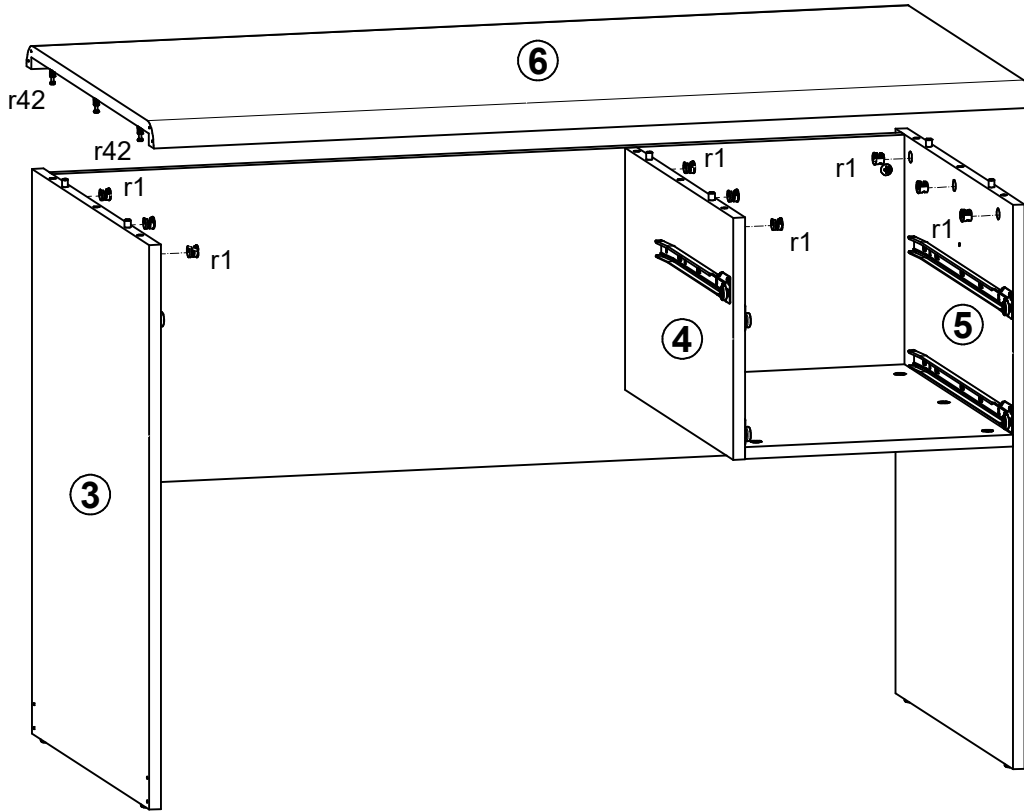
2



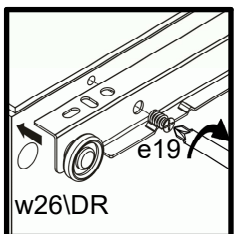
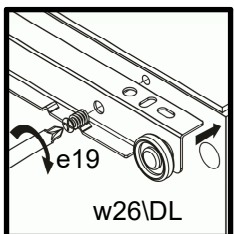
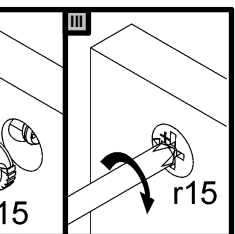
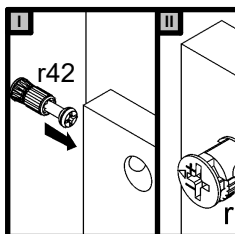
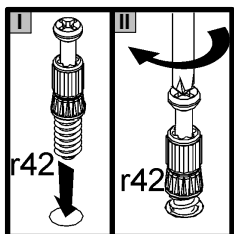
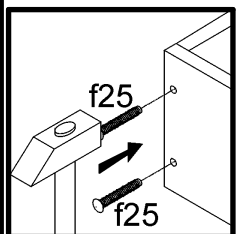
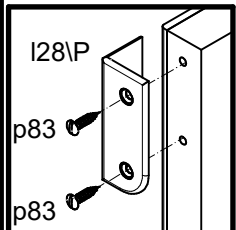
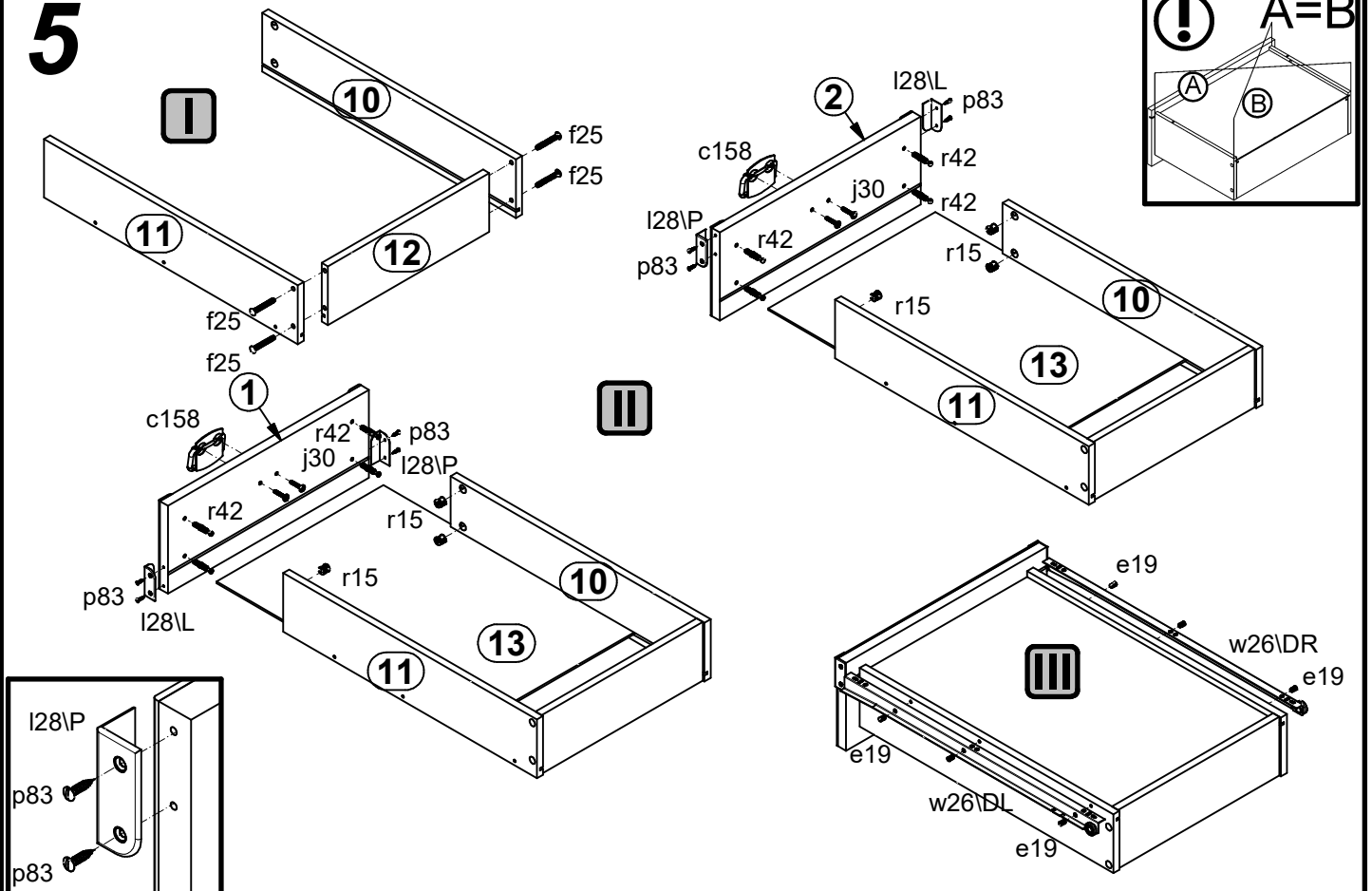
3



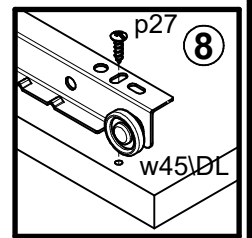
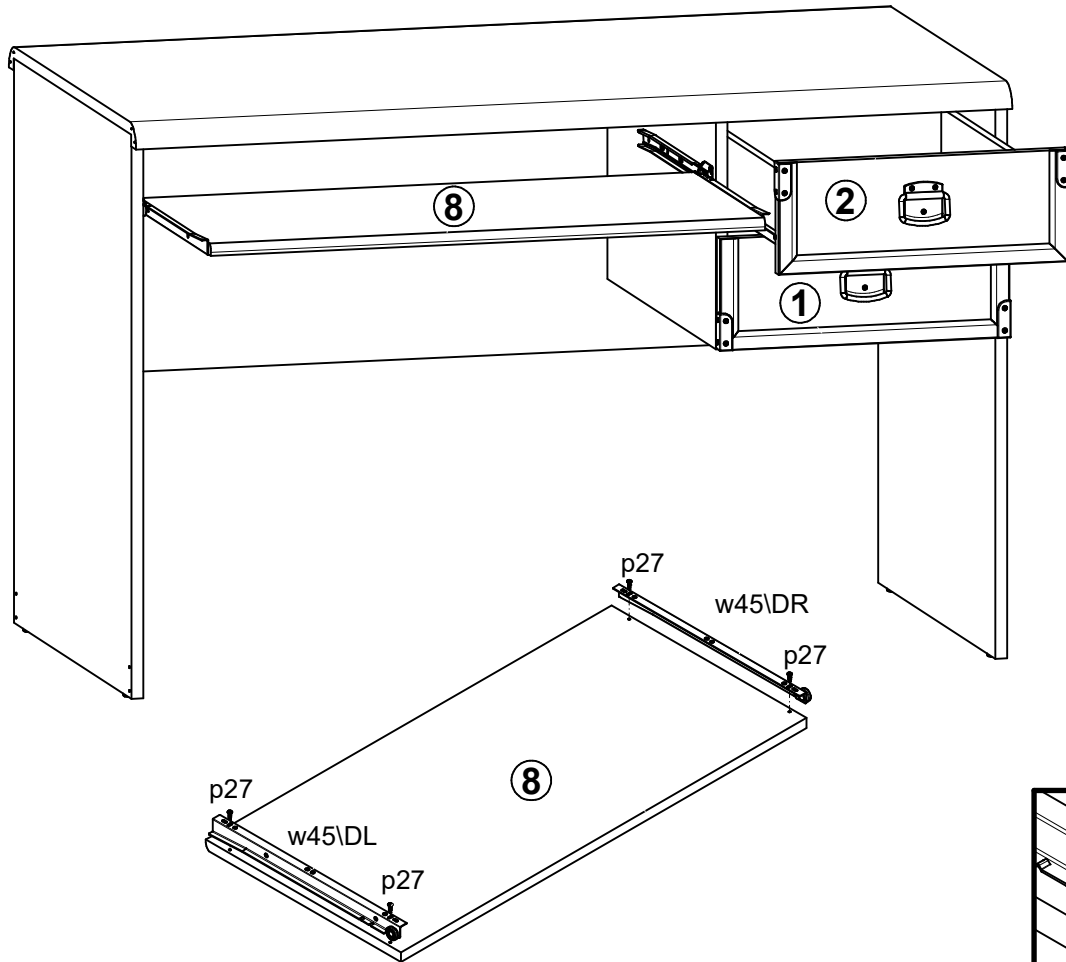
4



5



6



7

