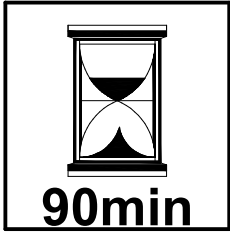
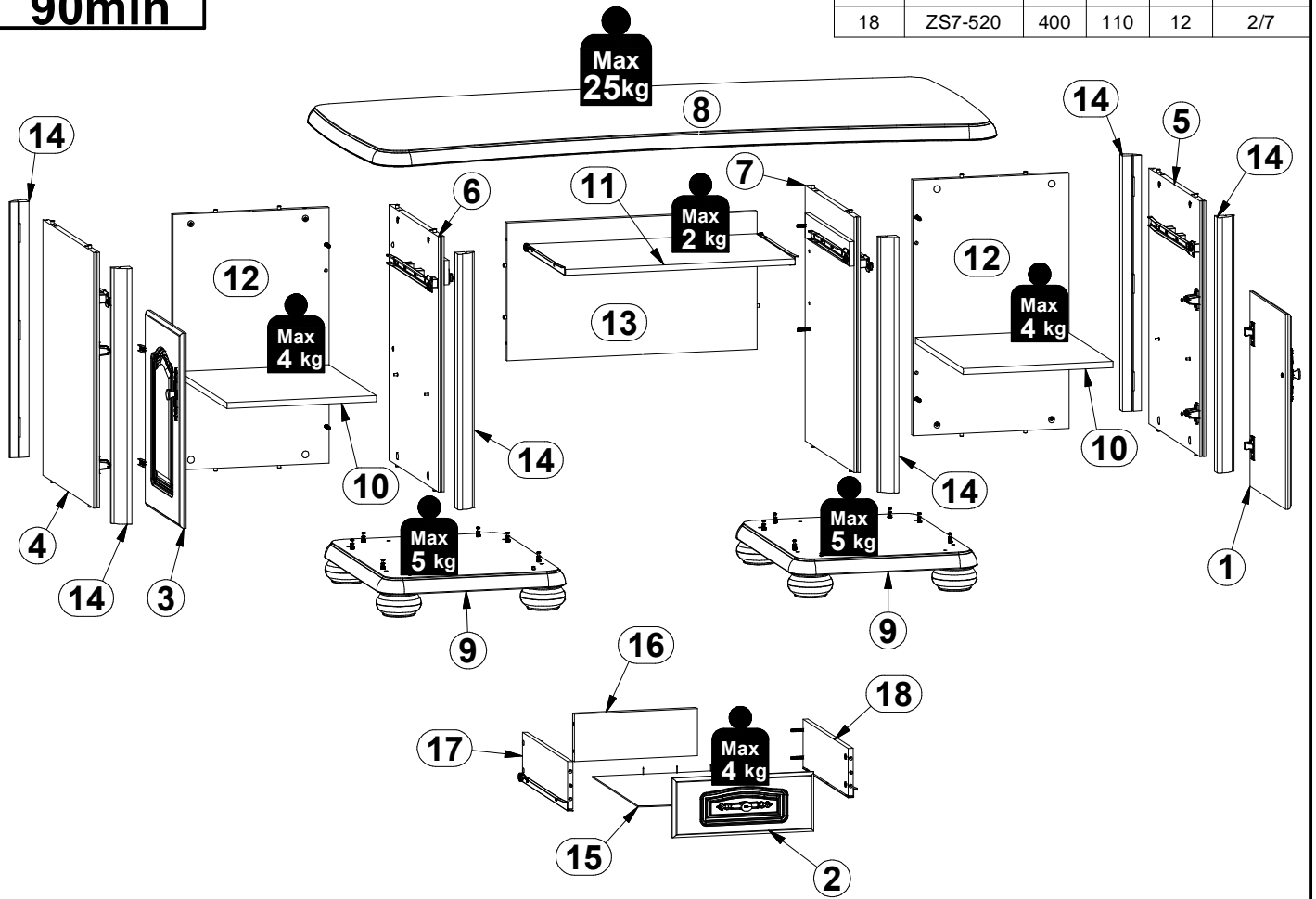


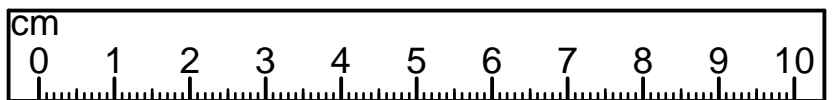
A	B	C1	C2	C3	D
1	S41-0015	481	334	16	5/7
2	S41-0032	138	334	16	5/7
3	S41-0033	481	334	16	5/7
4	S41-1048	630	476	15	1/7
5	S41-1049	630	476	15	1/7
6	S41-1050	630	461	27	1/7
7	S41-1051	630	461	27	1/7
8	S41-2030	1600	750	38	4/7
9	S41-2031	472	590	38	3/7
10	S41-3025	376	450	15	2/7
11	S41-3026	577	365	15	2/7
12	S41-4501	630	392	15	2/7
13	S41-4503	628	340	15	2/7
14	S41-5009	630	47	32	6/7
15	WSP-9308	908,	358	2,5	2/7
16	ZS7-5050	291	110	15	2/7
17	ZS7-519	400	110	12	2/7
18	ZS7-520	400	110	12	2/7



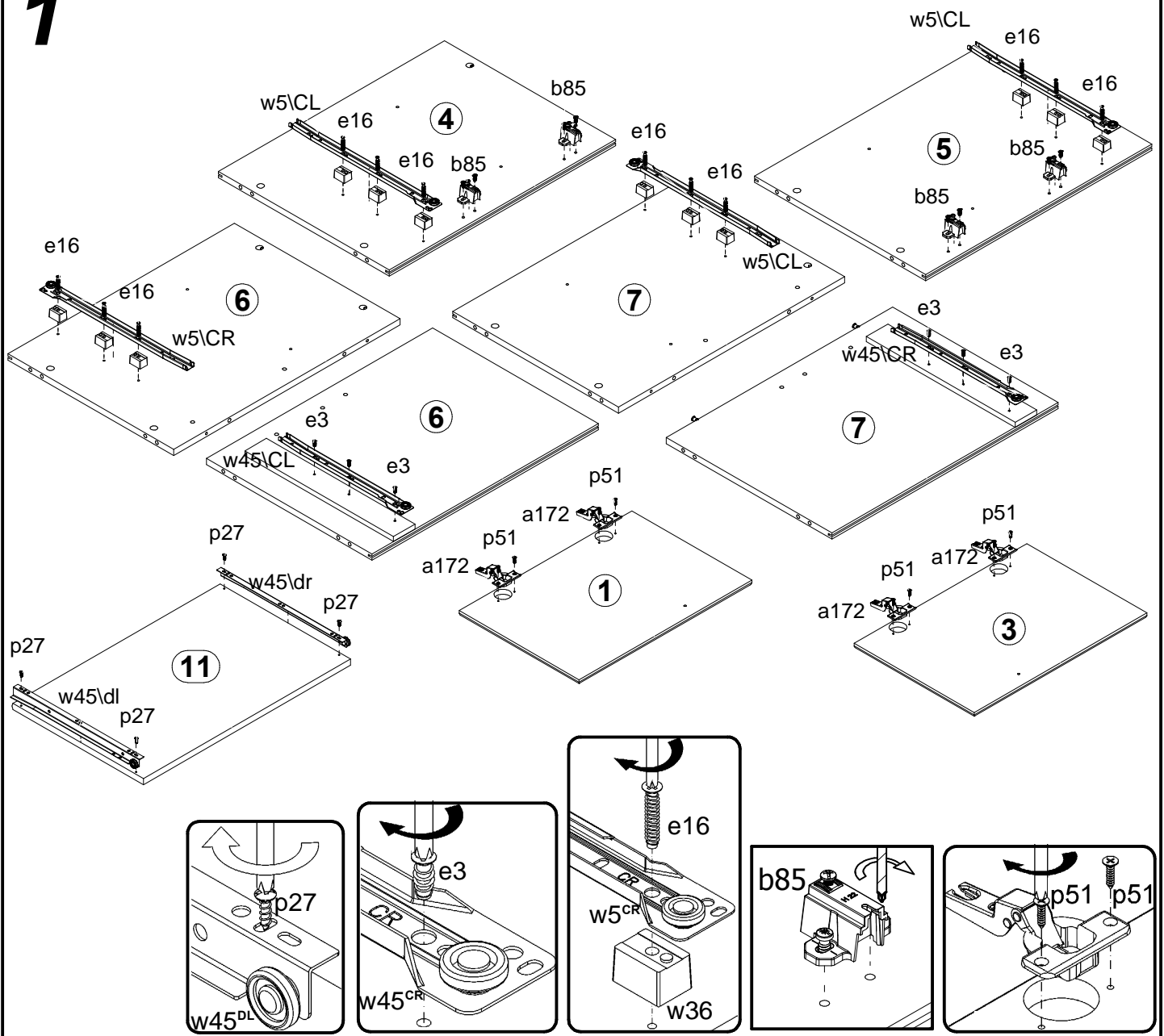
90min



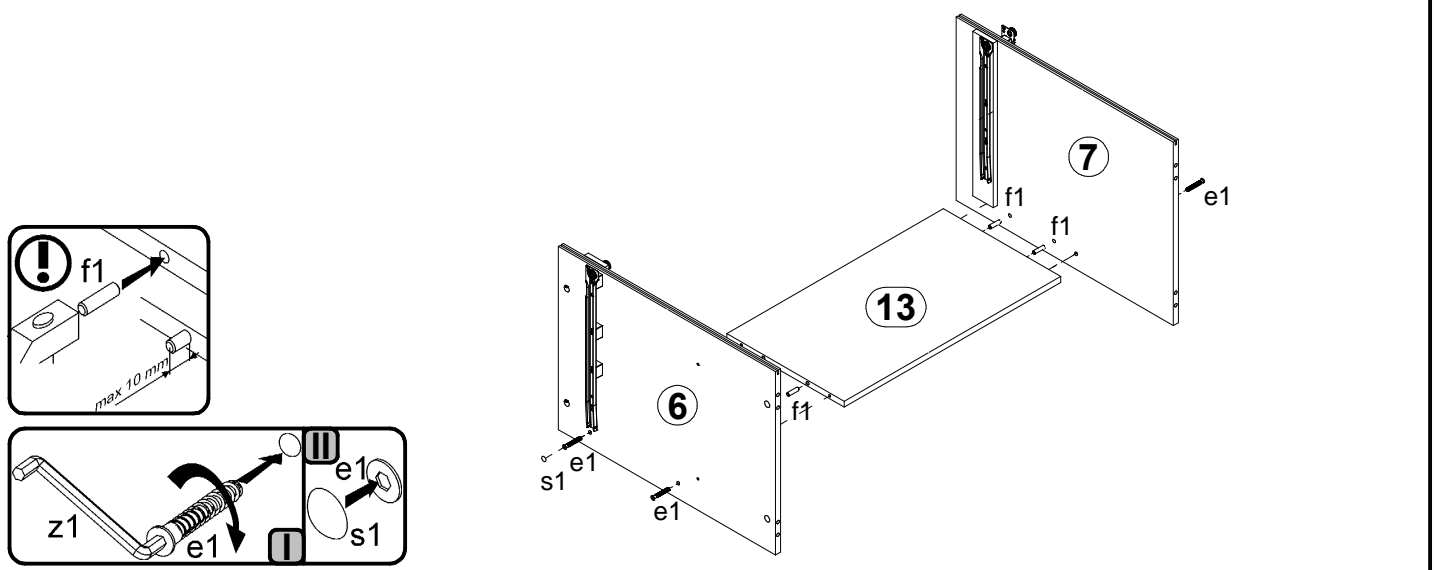
4x a172	4x b85	4x c69	8x $\phi 5 \times 17$ mm d1	2x $\phi 6,3 \times 15$ mm d4	8x $\phi 7 \times 50$ mm e1	12x $\phi 6 \times 30$ mm e16	8x $\phi 5 \times 9$ mm e19	4x $\phi 6 \times 30$ mm f9
6x $\phi 6 \times 13$ mm e3	32x $\phi 8 \times 30$ mm f1	18x $46 \times 18 \frac{1}{4}$ mm f11	8x $\phi 6,5 \times 40$ mm f25	8x $\phi 10 \times 40$ mm f27	4x M4x25 mm j8	8x $\phi 110 \times 58/62$ mm k47	4x $\phi 3,5 \times 13$ mm p27	8x $\phi 3,5 \times 15$ mm p51
24x $\phi 15 \times 12$ mm #16 r1	8x $\phi 12 \times 10,5$ mm #12 r15	32x r42	6x s1	14x $\phi 16$ s2	12x h=18 mm w36	1x 350 mm w45 ^{CL}	1x 350 mm w45 ^{CR}	1x 350 mm w45 ^{DR}
1x 350 mm w45 ^{DL}	1x 400 mm w5 ^{CR}	2x 400 mm w5 ^{DL}	2x 400 mm w5 ^{DR}	1x 400 mm w5 ^{CL}	1x 400 mm w5 ^{DL}	1x GLUE y1/2	1x z1	8x l1



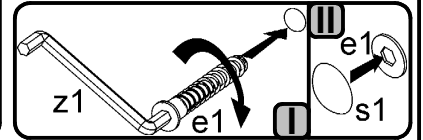
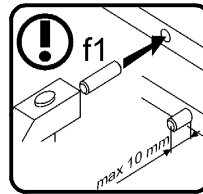
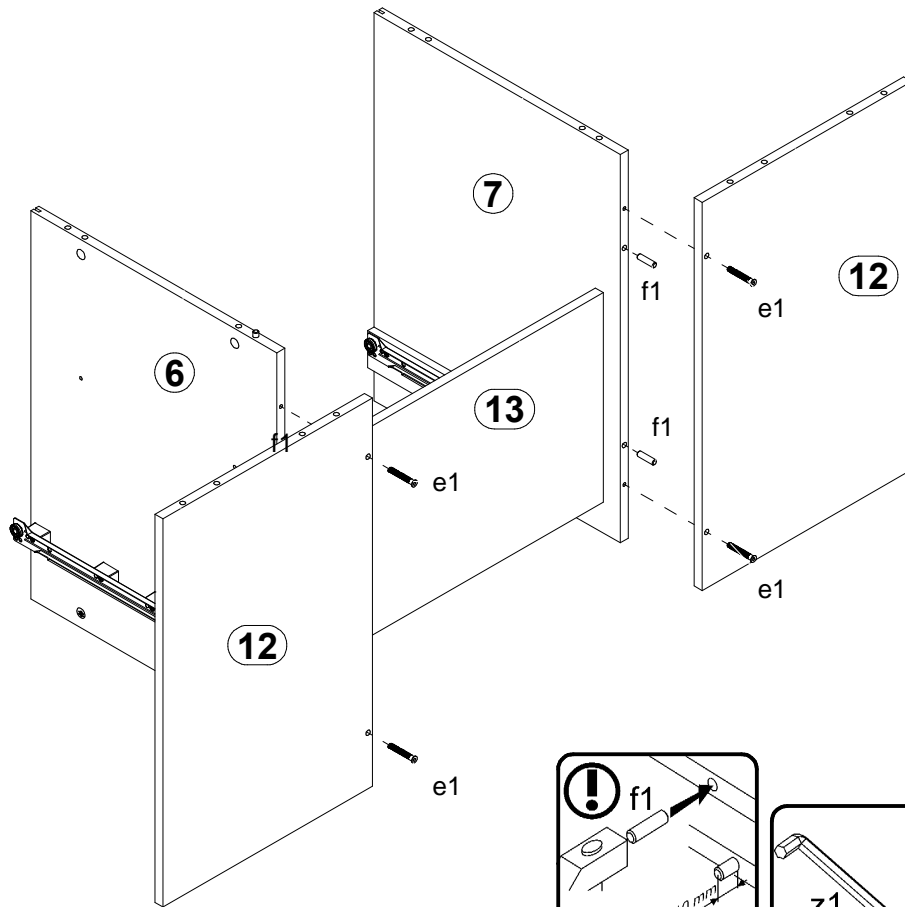
1



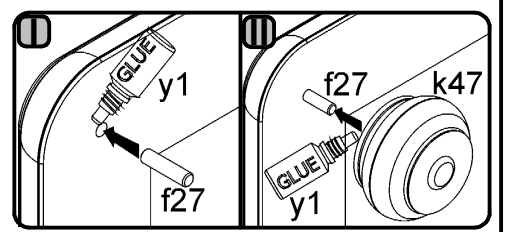
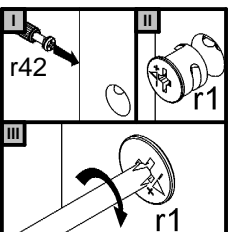
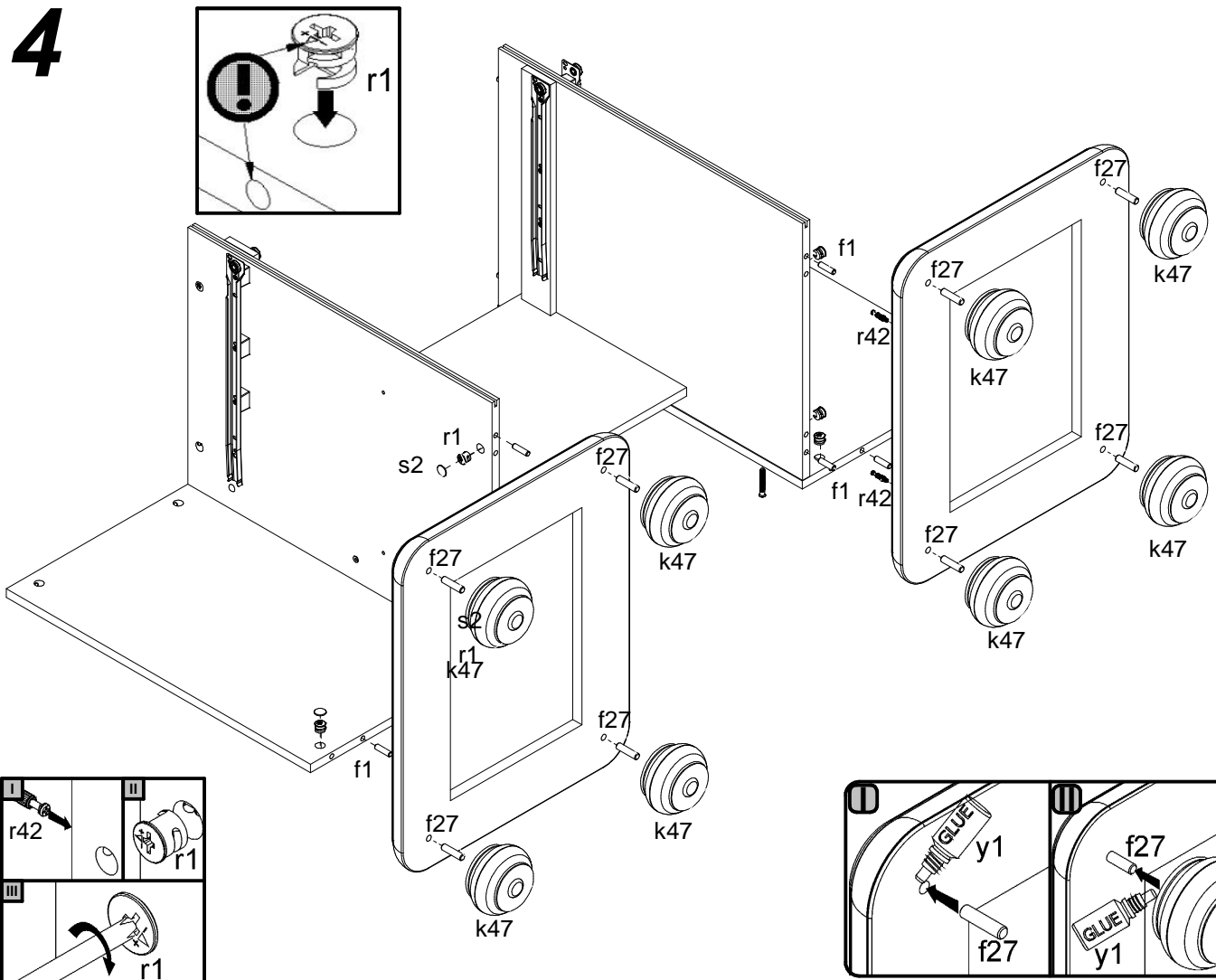
2



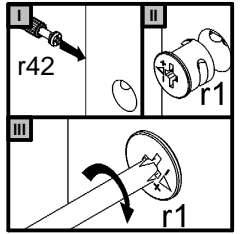
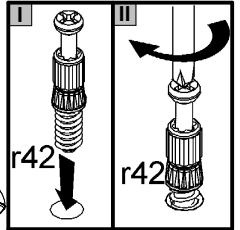
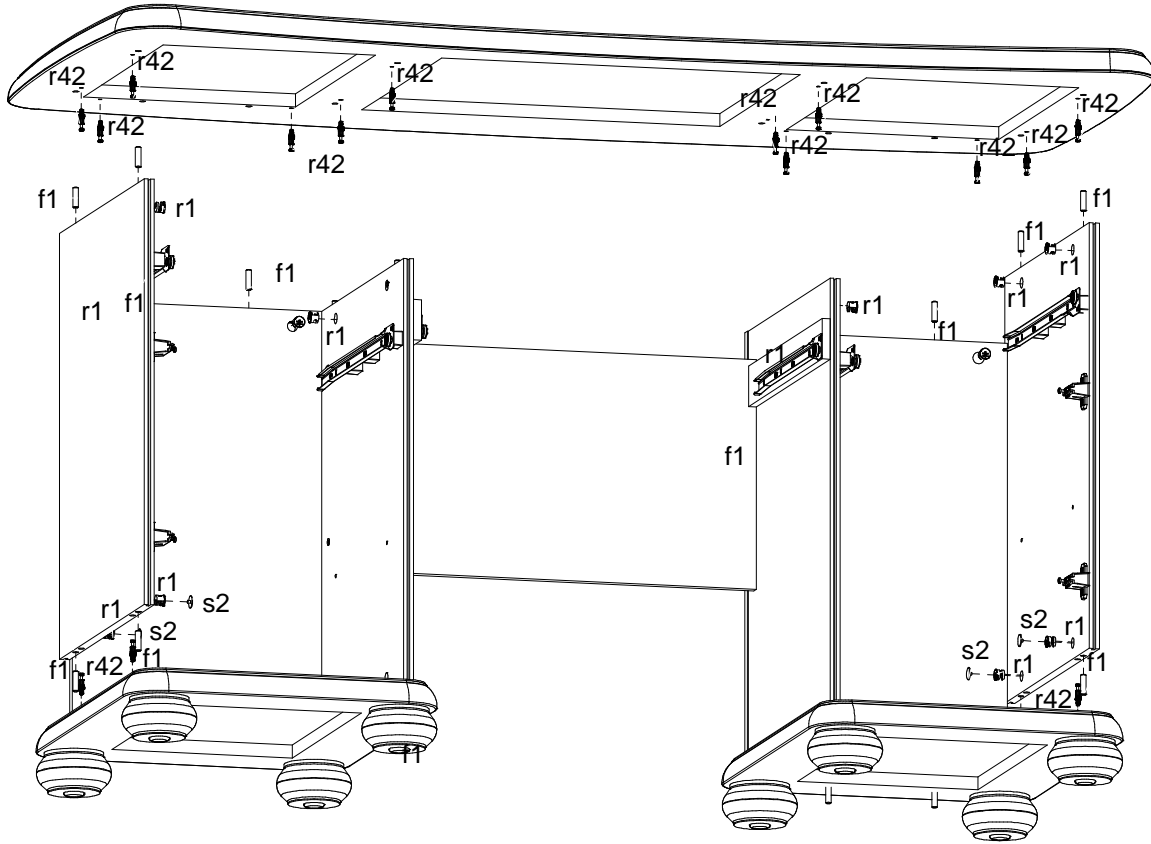
3



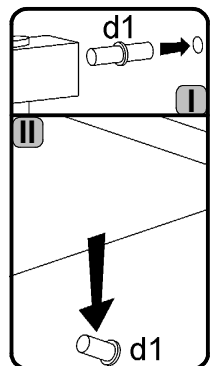
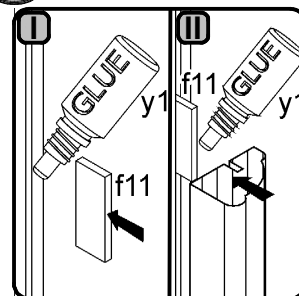
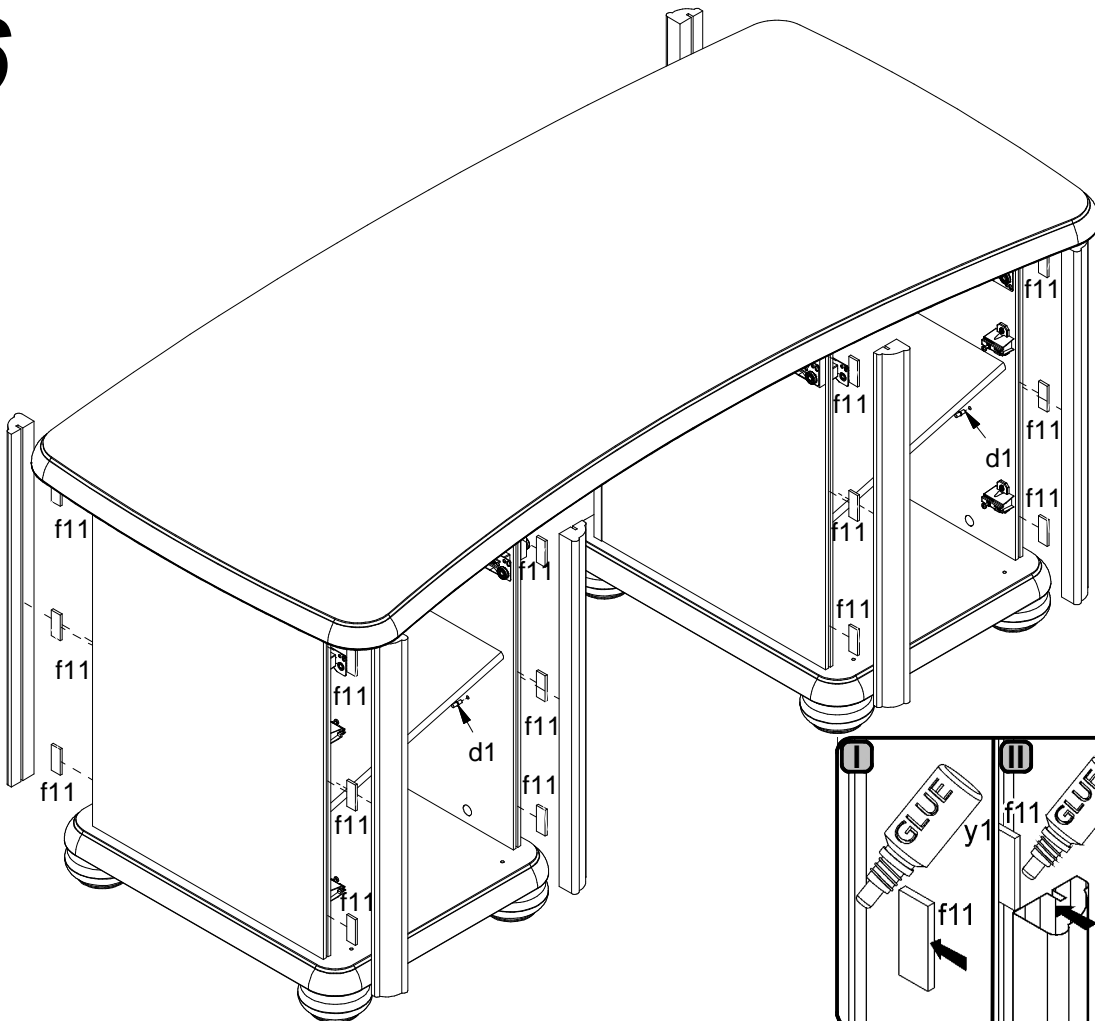
4



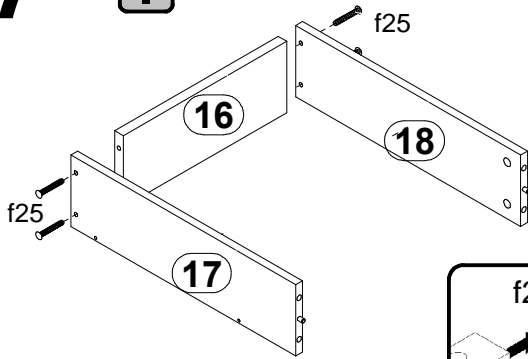
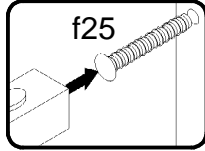
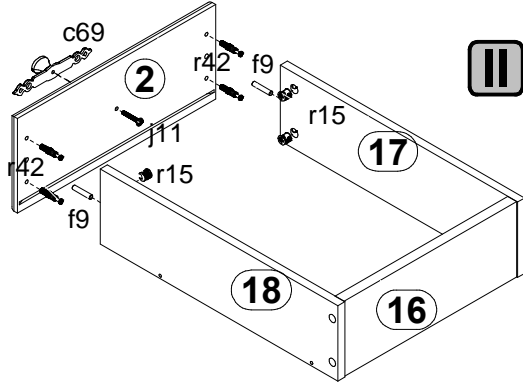
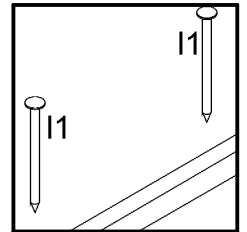
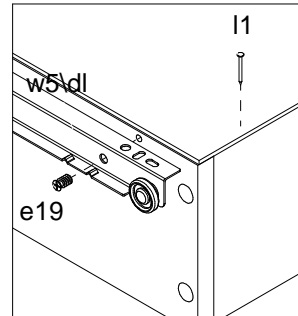
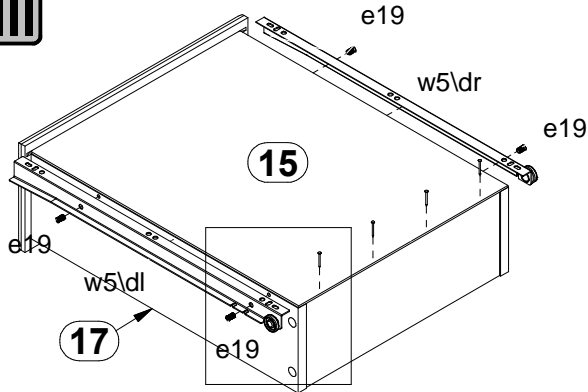
5



6



7

I**II****III**

8

