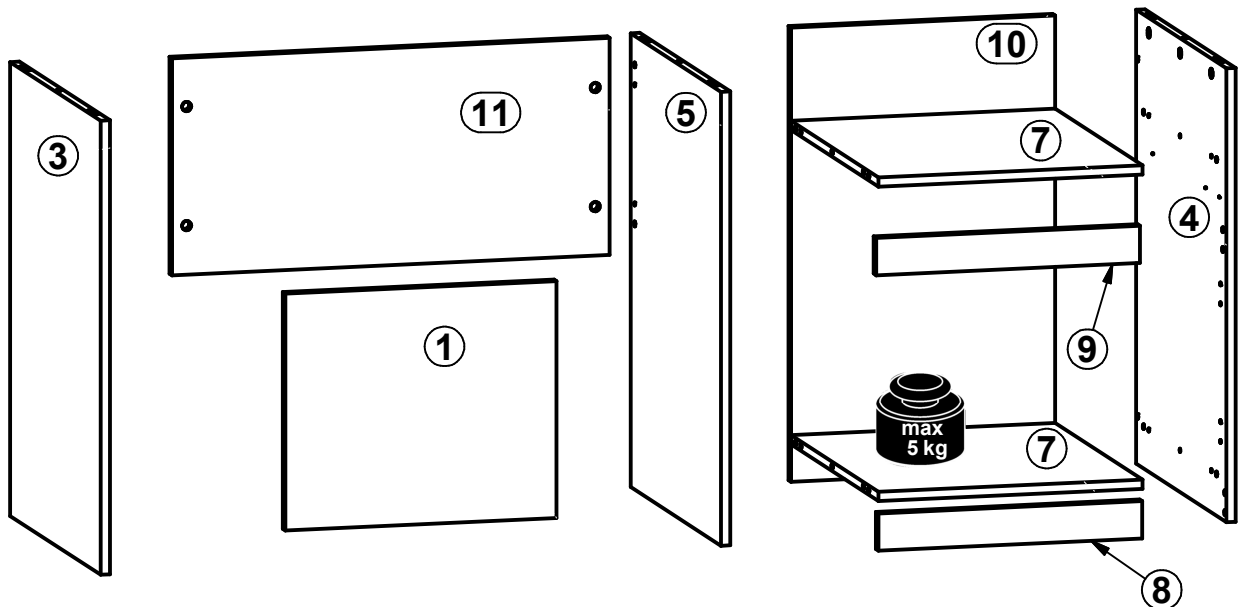
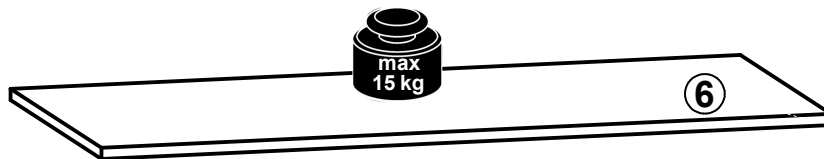
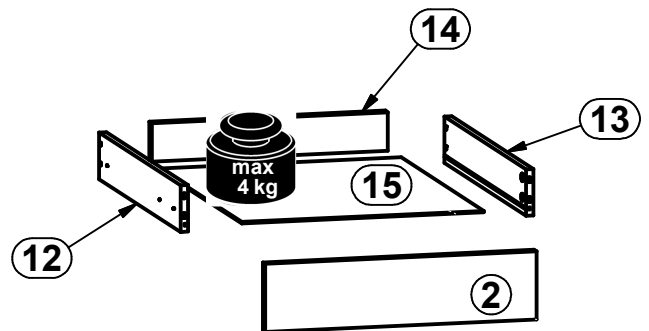
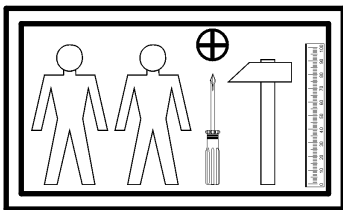
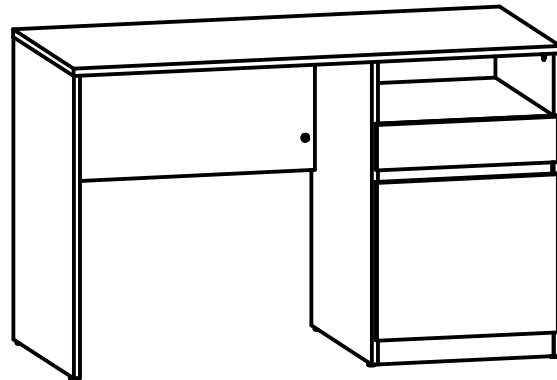
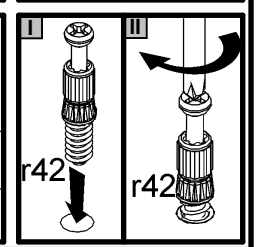
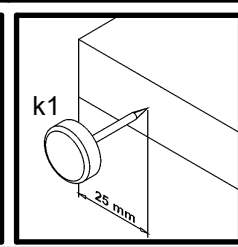
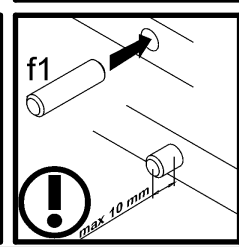
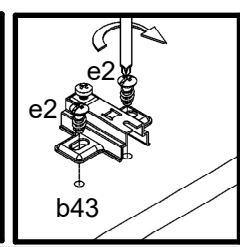
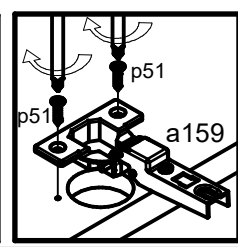
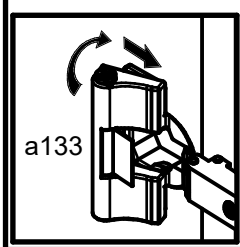
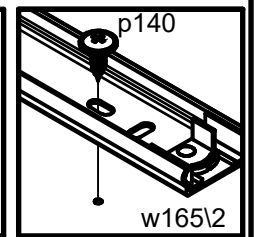
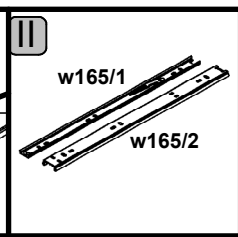
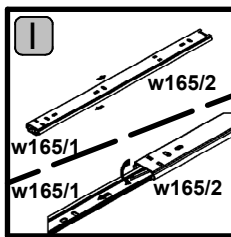
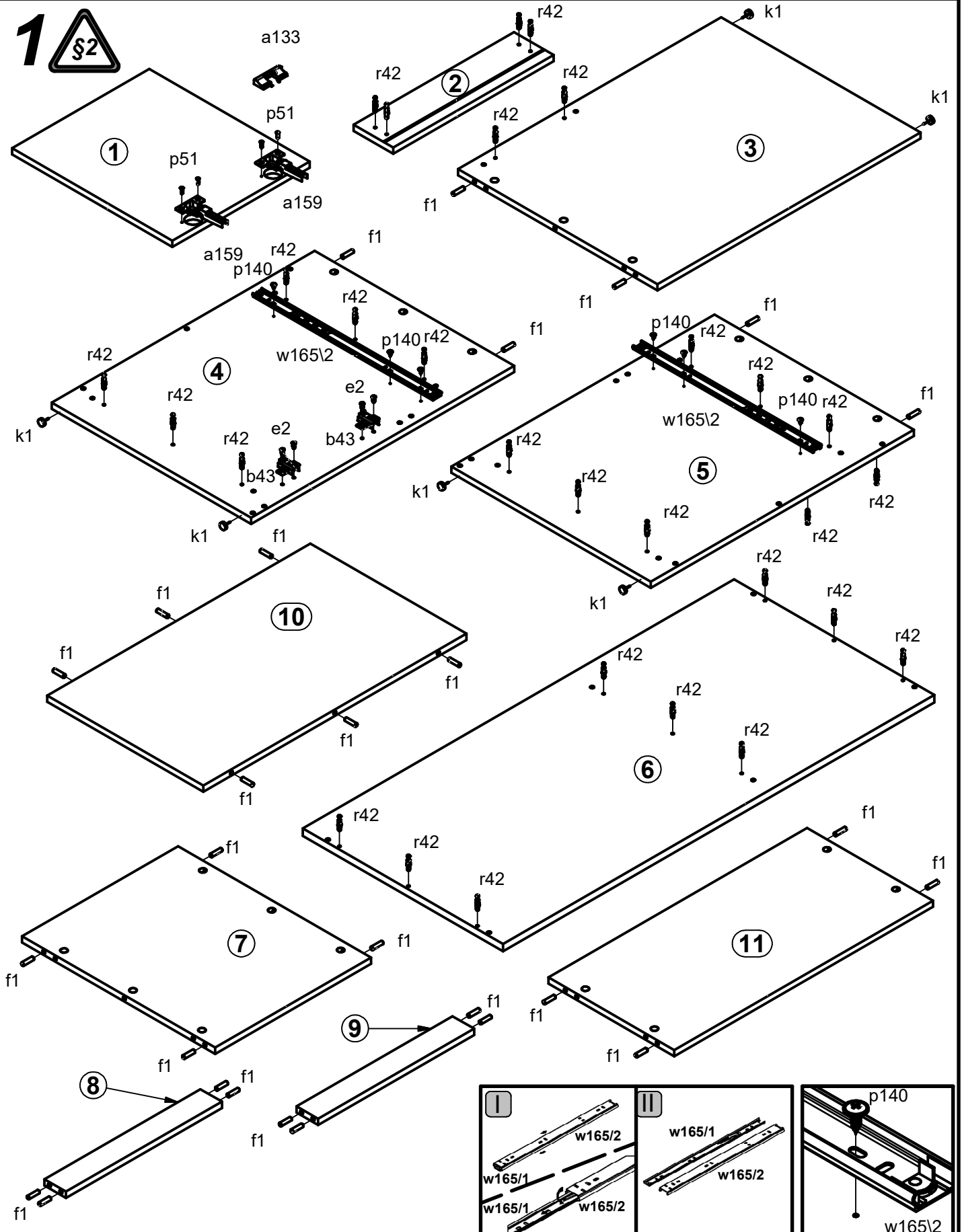


A	B	C	D	
1	S441-0002	382	446	3/3
2	S441-0003	446	110	3/3
3	S441-1003	732	555	2/3
4	S441-1004	732	555	2/3
5	S441-1005	732	555	1/3
6	S441-2002	1200	557	2/3
7	S441-3003	434	537	1/3
8	S441-4004	434	60	1/3
9	S441-4005	434	60	1/3
10	S441-5001	732	434	1/3
11	S441-5002	720	350	1/3
12	S441-5010	500	75	1/3
13	S441-5011	500	75	1/3
14	S441-5012	388	62	1/3
15	S441-9002	398	507	1/3

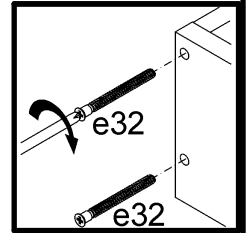
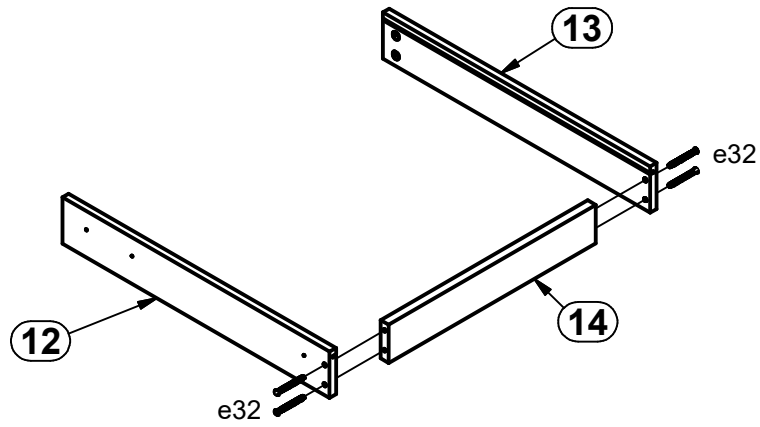


1x a133	2x a159	2x b43	4x Ø6.3x13 mm e2	4x Ø5x50 mm e32	32x Ø8x30 mm f1	6x k1	12x Ø3.5x12 mm p140	3x Ø3.5x16 mm p38
4x Ø3.5x15 mm p51	25x Ø15x12 mm #16 r1	4x Ø12x10.5 mm #12 r15	29x 20/11 r42	2x 500/820 mm w1651	2x 500/820 mm w1652	13x Ø 20mm s68		

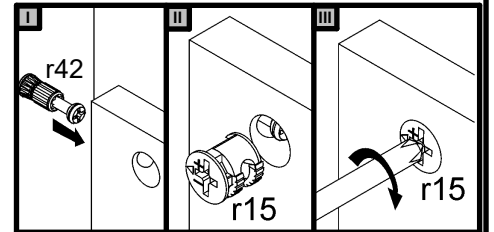
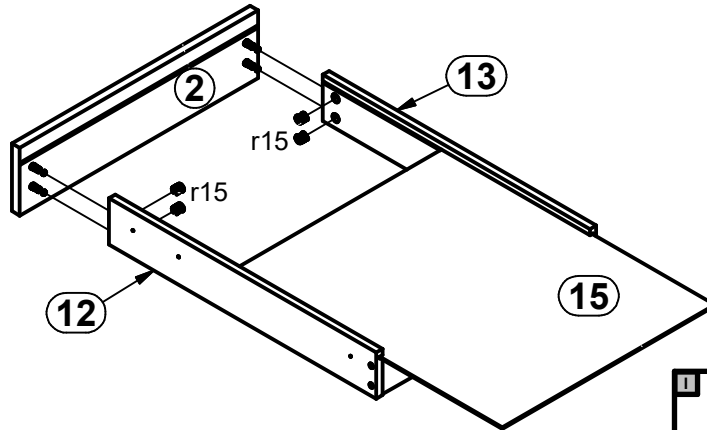
1 



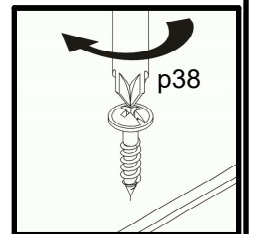
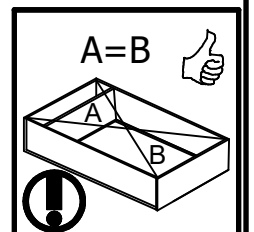
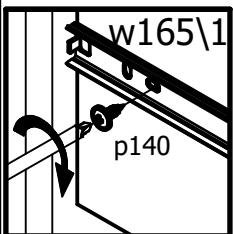
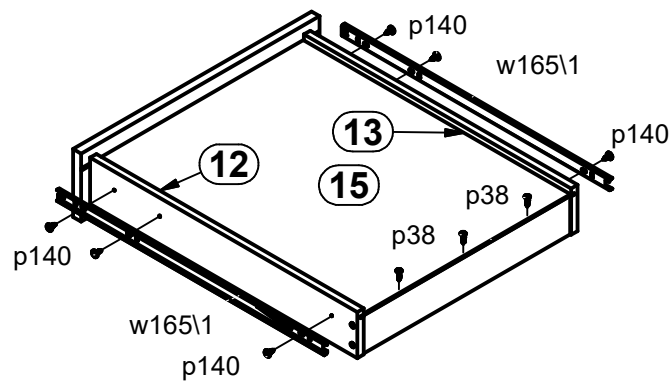
2



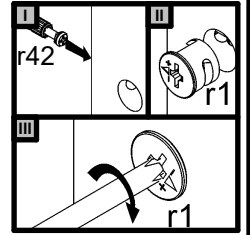
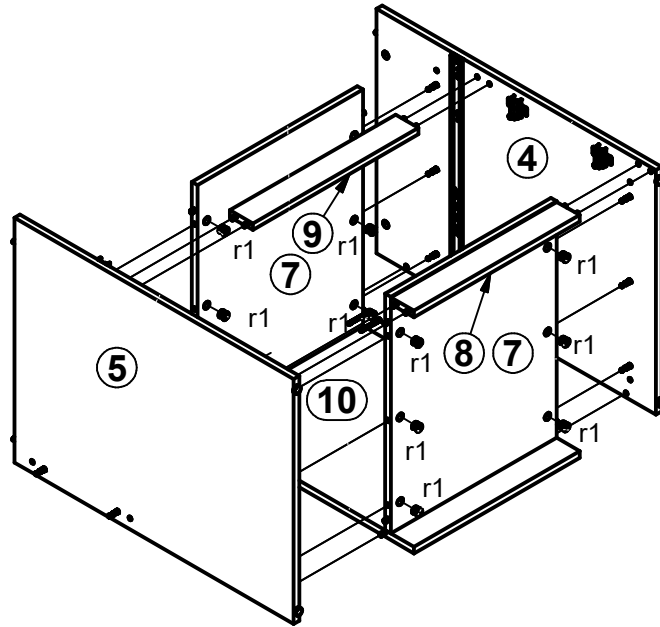
3



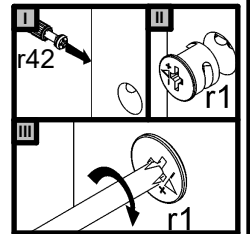
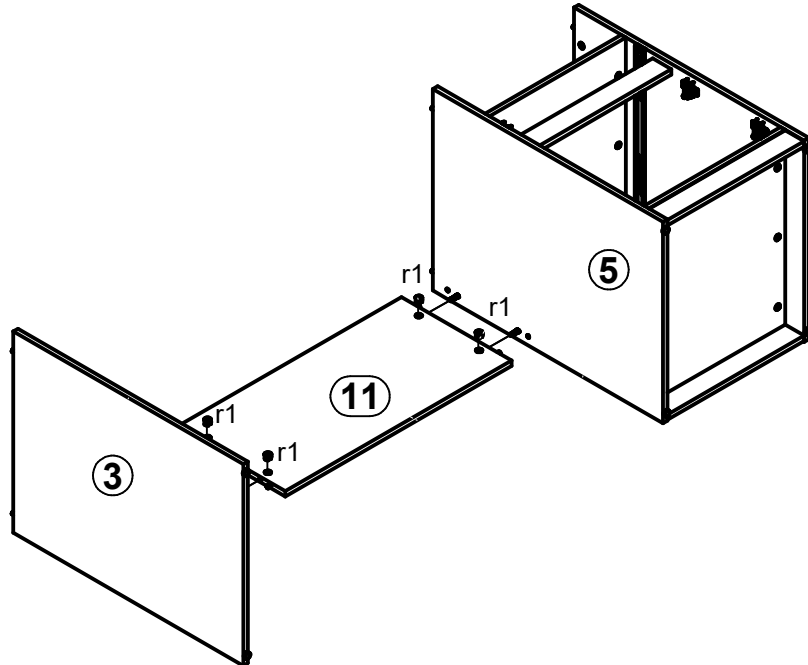
4



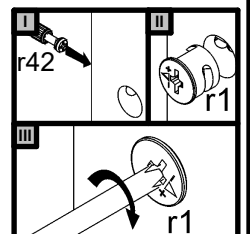
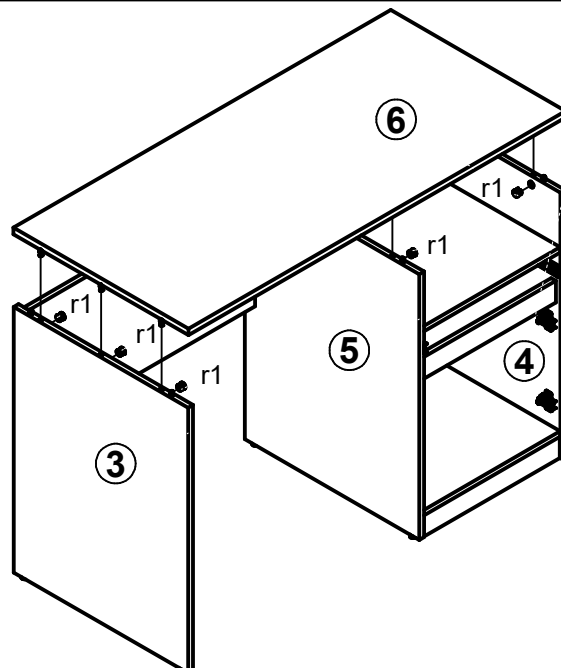
5



6



7



8

