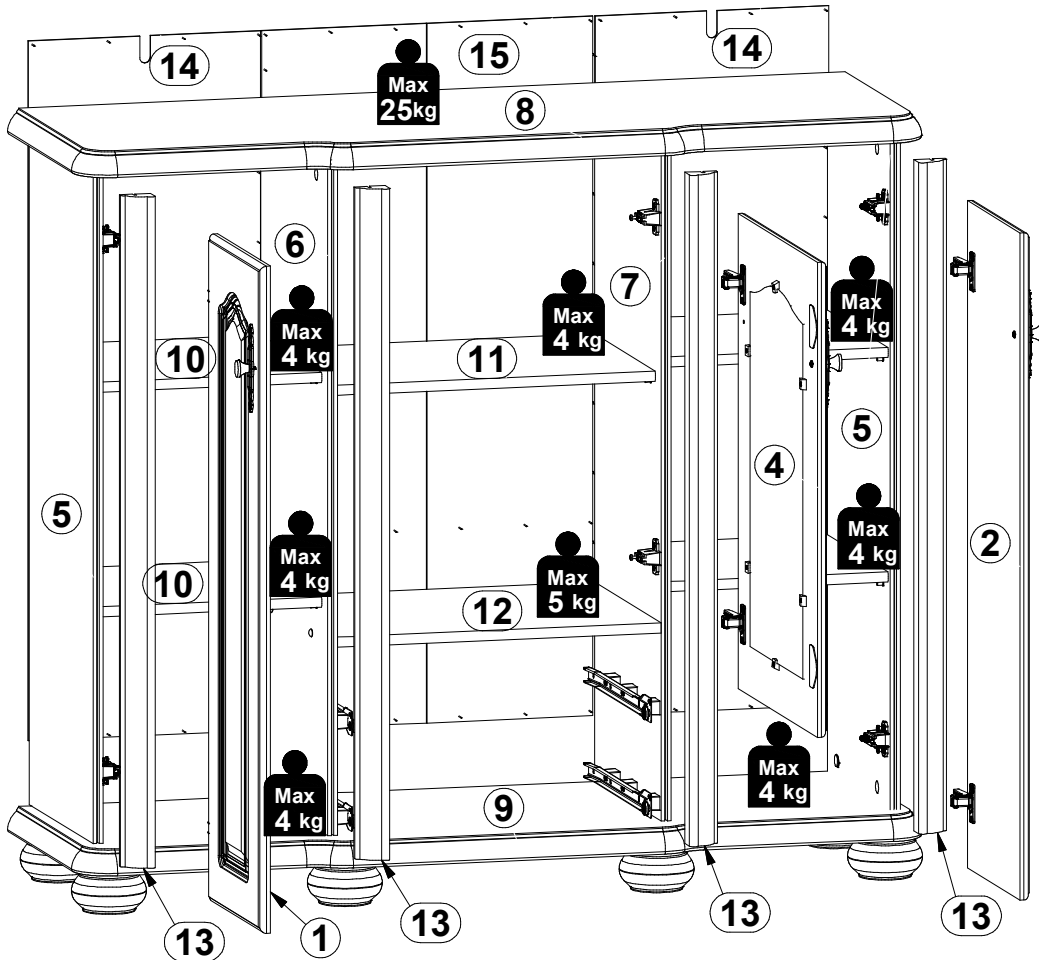
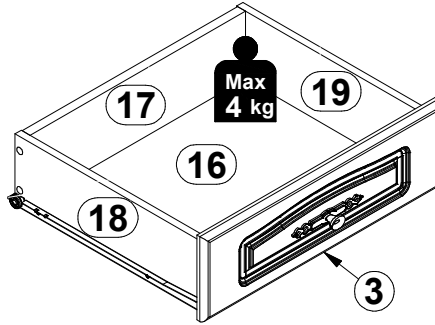
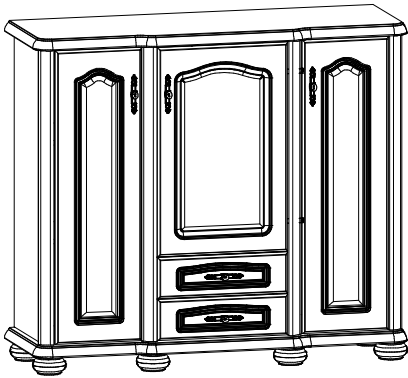


A	B	C1	C2	C3	D
1	S41-0006	986	296	16	5/7
2	S41-0007	986	296	16	5/7
3	S41-0008	138	446	16	6/7
4	S41-0009	702	446	19	6/7
5	S41-1006	992	358	15	1/7
6	S41-1008	992	375	15	1/7
7	S41-1009	992	375	15	1/7
8	S41-2004	1280	436	38	2/7
9	S41-2005	1280	436	38	2/7
10	S41-3002	333	343	15	3/7
11	S41-3003	488	343	15	3/7
12	S41-3004	488	375	15	3/7
13	S41-5003	992	47	32	4/7
14	S41-9001	1034	352	2,5	1/7
15	S41-9303	1034	501,	2,5	1/7
16	WSP-9303	425	358	2,5	3/7
17	ZS7-5045	403	110	15	3/7
18	ZS7-521	350	110	12	3/7
19	ZS7-522	350	110	12	3/7



6x a172	6x b85	5x c69	20x d1 φ8x17 mm	3x d4 φ6,3x15 mm	4x e1 φ7x50 mm	12x e16 φ6x30 mm	8x e19 φ5x9 mm	20x f1 φ8x30 mm
16x f11 46x18,4 mm	8x f25 φ6,5x40 mm	6x f27 φ10x40 mm	5x j8 M4x25 mm	6x k47 φ110x58/62 mm	90x l1	12x p51 φ3,5x15 mm	16x r1 φ1,5x12mm #16	8x r15 φ12x10,5mm #12
24x r42 20/11	4x s1	16x s2 ø16	12x w36 h=18 mm	2x w45-CL 350 mm	2x w45-CR 350 mm	2x w45-DL 350 mm	2x w45-DR 350 mm	1x y1
1x z1	4x f9 Ø6x30 mm	2x s71 Ø35x62x40x10		2x p17 Ø5x60 mm	2x n14/2 88x21x15/1,5	2x f35 Ø10x50 mm	4x p38 Ø3,5x16 mm	

