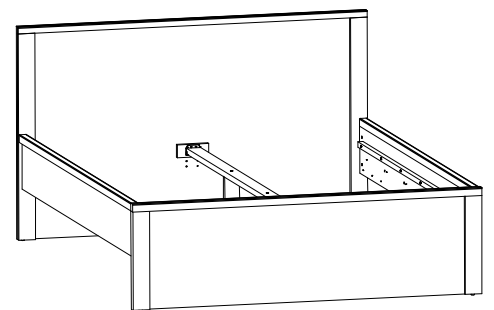
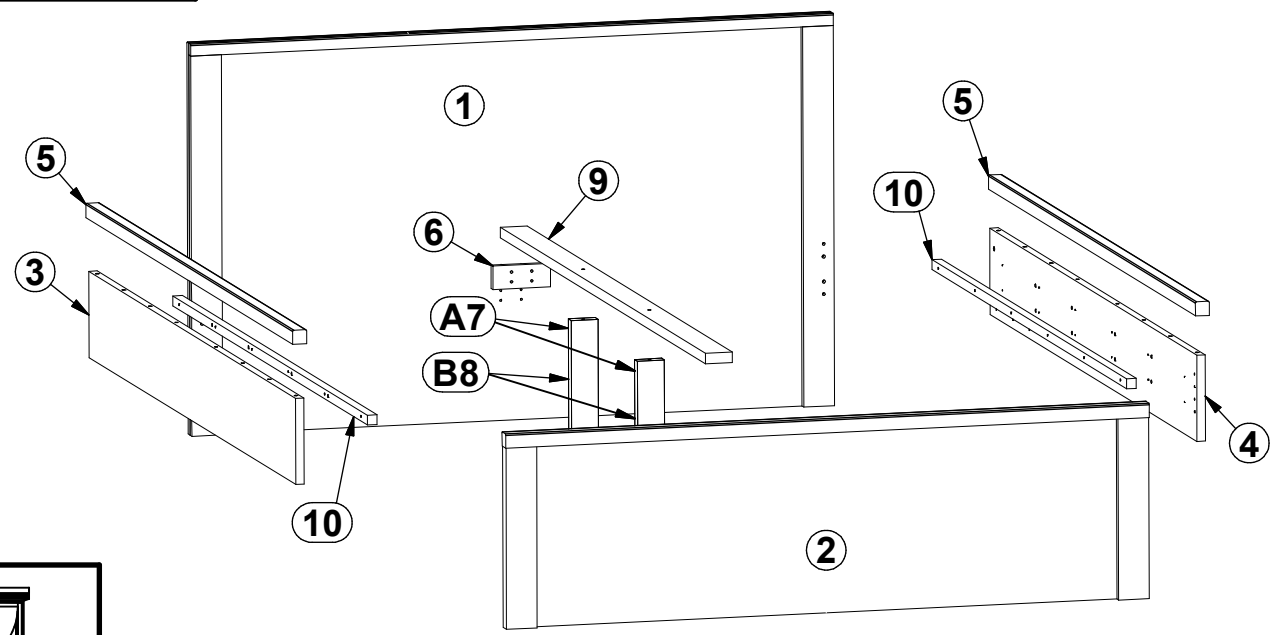
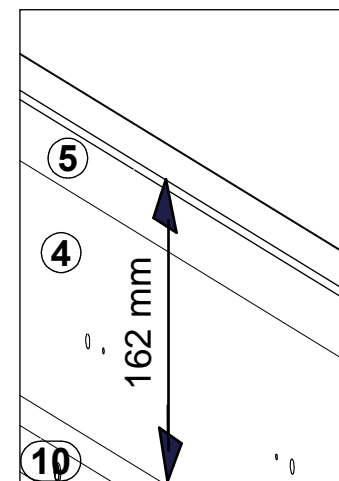
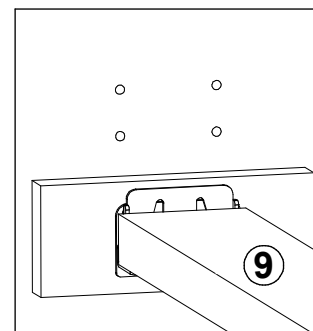
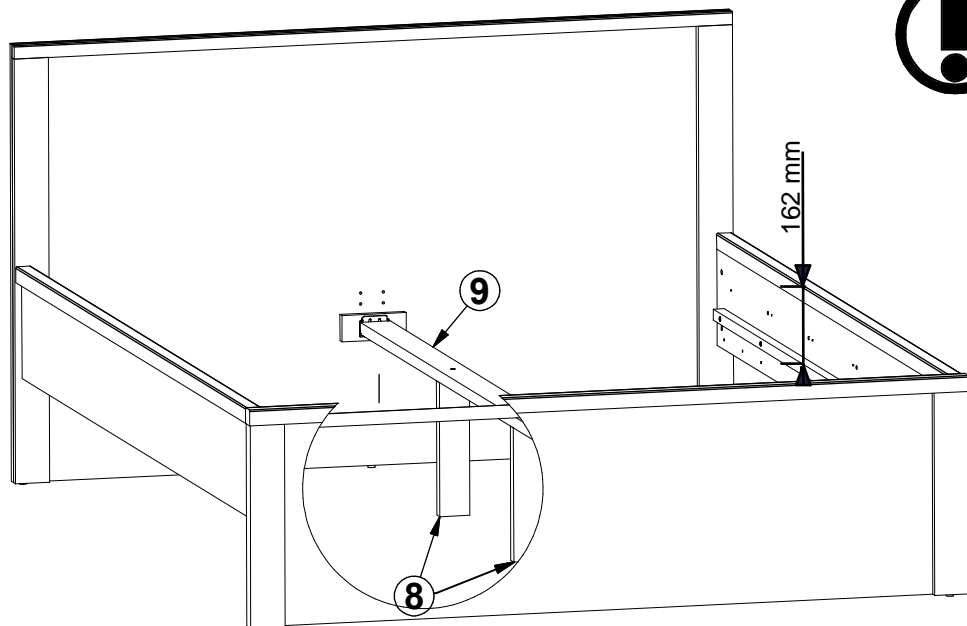
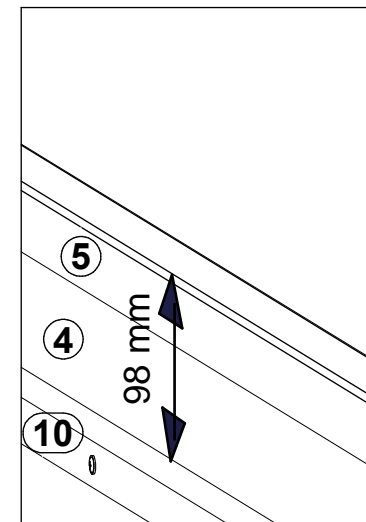
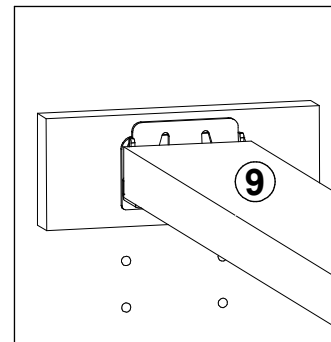
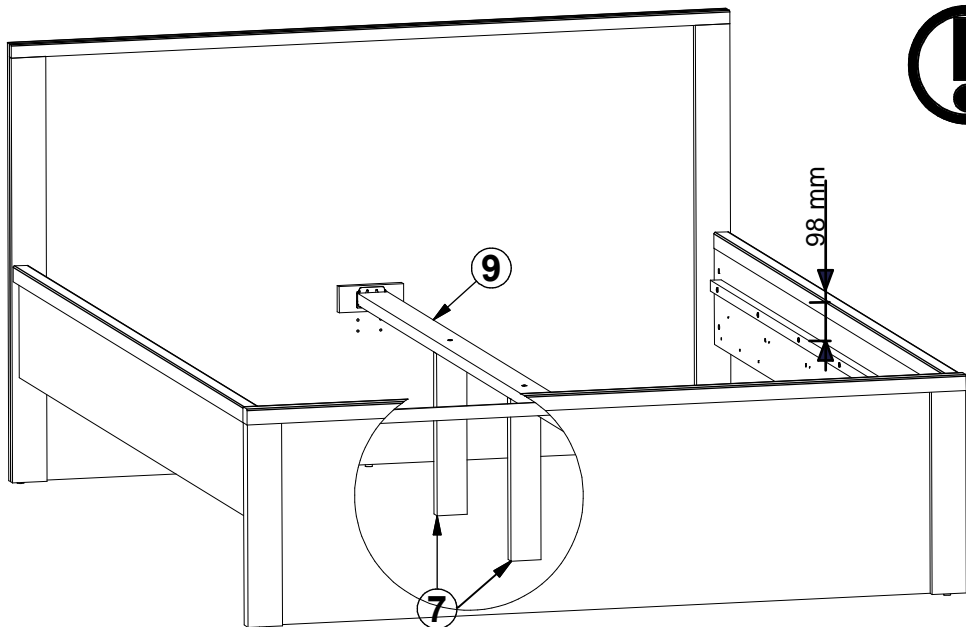


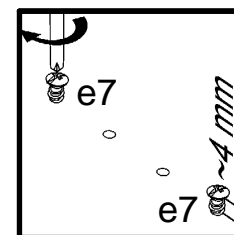
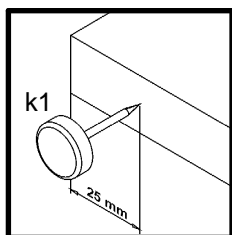
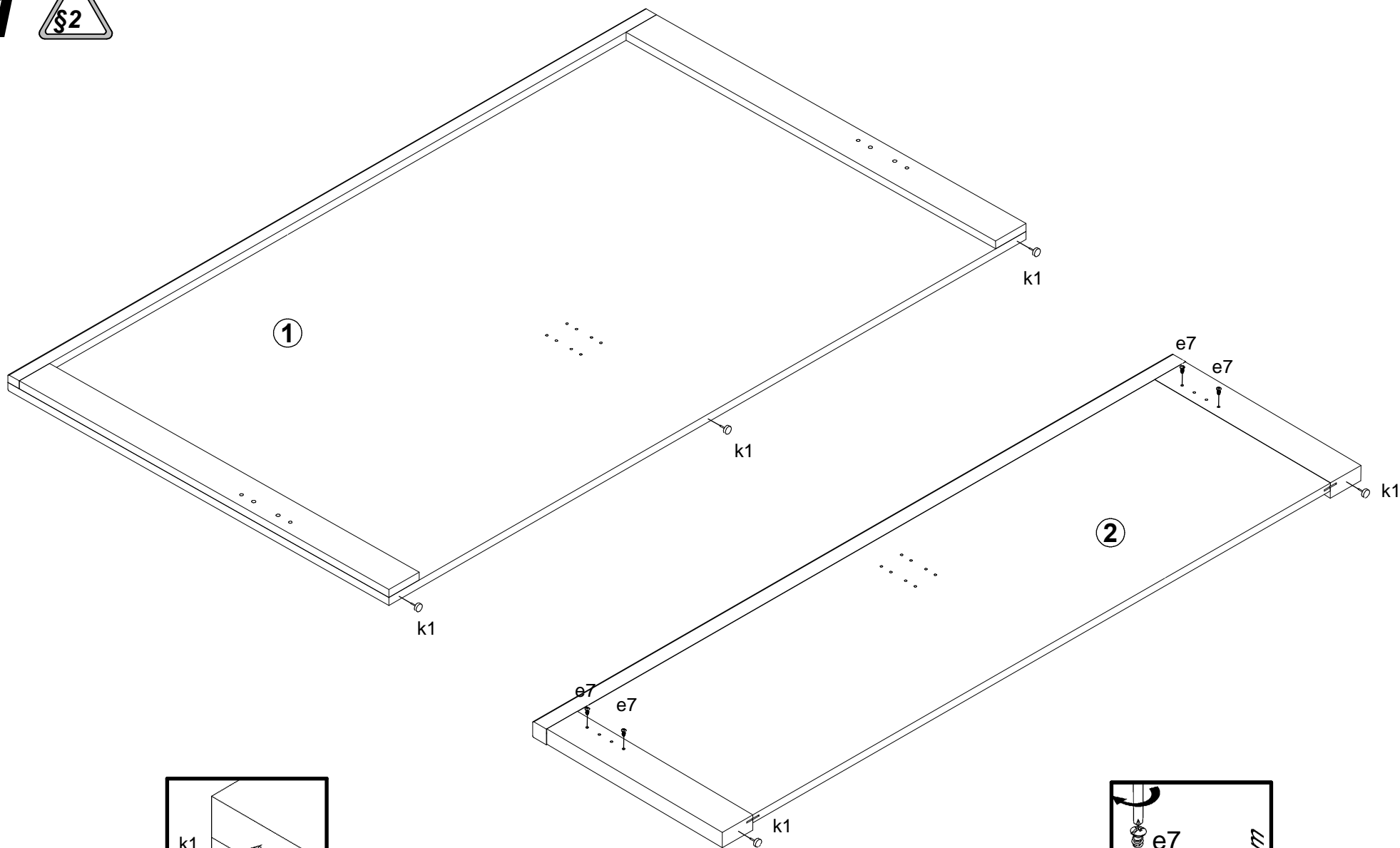
| A | B | C1 | C2 | C3 | D |
|----|-----------|-------|------|----|-----|
| 1 | S508-0051 | 1676, | 1000 | 36 | 2/3 |
| 2 | S508-0052 | 498 | 1678 | 36 | 1/3 |
| 3 | S508-1027 | 2000 | 220 | 22 | 3/3 |
| 4 | S508-1028 | 2000 | 220 | 22 | 3/3 |
| 5 | S508-5052 | 2000 | 36 | 36 | 3/3 |
| 6 | S508-7752 | 150 | 60 | 18 | 1/3 |
| 7 | ZZ1-425 | 370 | 70 | 27 | 3/3 |
| 8 | ZZ1-426 | 306 | 70 | 27 | 3/3 |
| 9 | ZZ1-719 | 1983 | 70 | 27 | 3/3 |
| 10 | ZZ1-747 | 1880 | 25 | 25 | 3/3 |



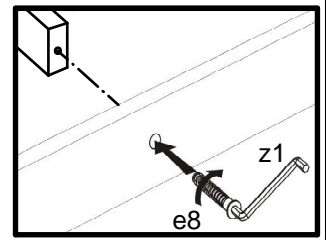
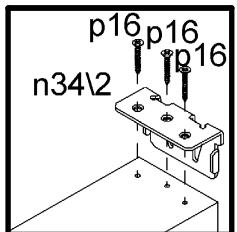
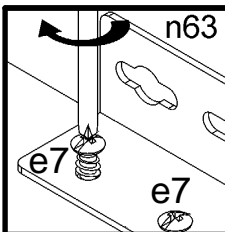
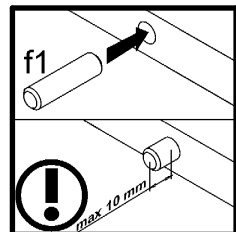
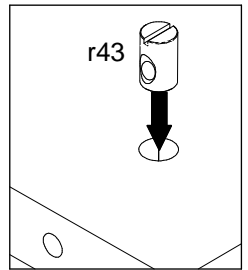
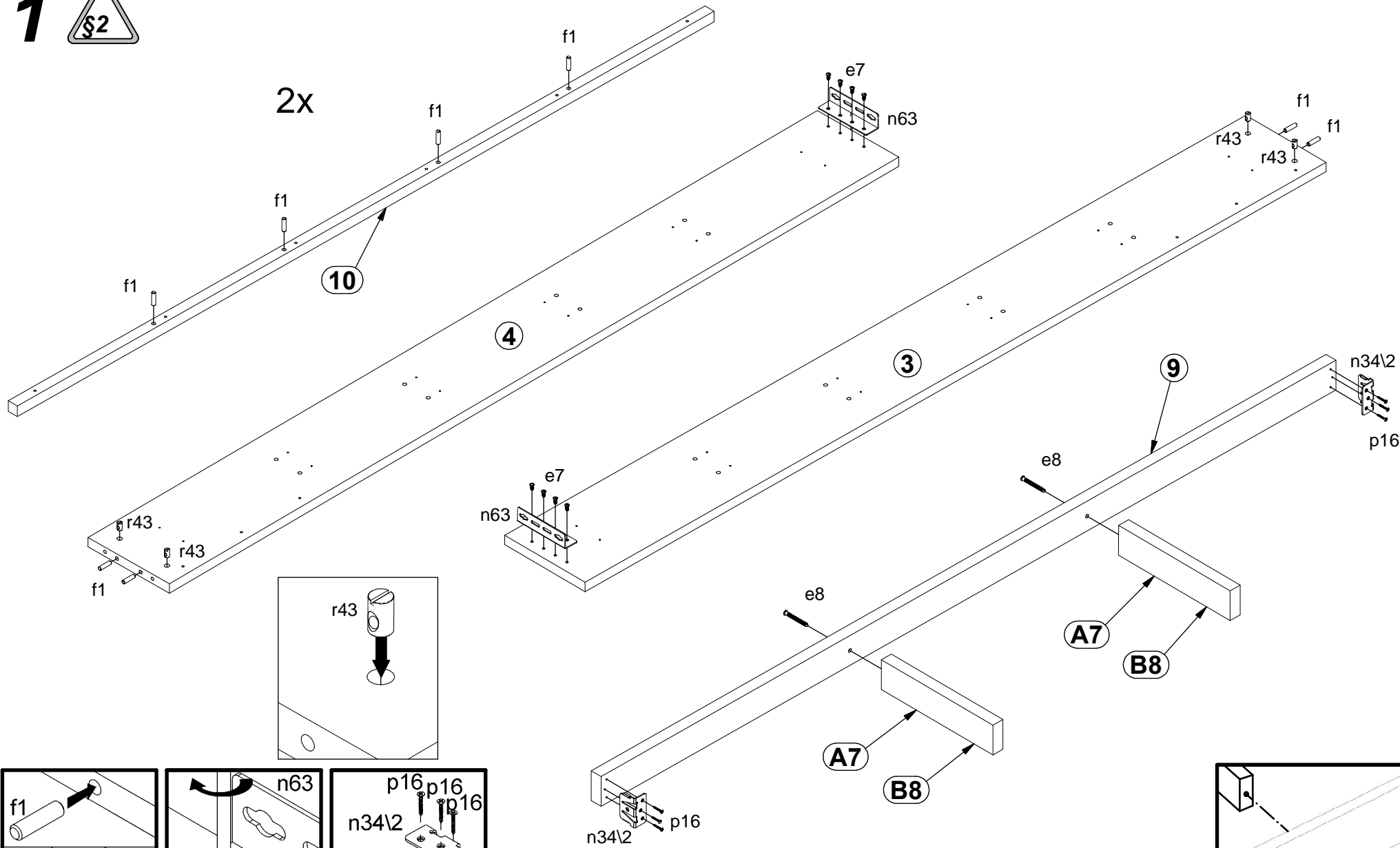
| | | | | | | | | | | | | |
|-------------------------|-------------------------|-------------------------|----------------------|-----------------------|-----------------------|------------------------|----------|-------------|-------------|-----------------------------|----------------------|------------------------|
| 8x Ø6x13 mm e3 | 16x Ø6.3x16 mm e7 | 4x Ø6.3x30 mm e16 | 2x Ø7x60 mm e8 | 12x Ø8x30 mm f1 | 16x Ø8x50 mm f6 | 4x M6x84 mm j117 | 5x k1 | 2x n34/1 | 2x n34/2 | 2x 130x34x34/2 mm n63 | 6x Ø4x35 mm p6 | 12x Ø4x40 mm p10 |
| 6x Ø3.5x25 mm p16 | 4x Ø10x16 mm r43 | 1x GLUE y1 | 1x z1 | | | | | | | | | |



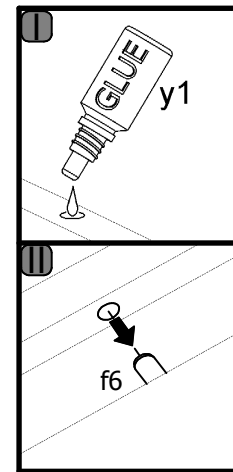
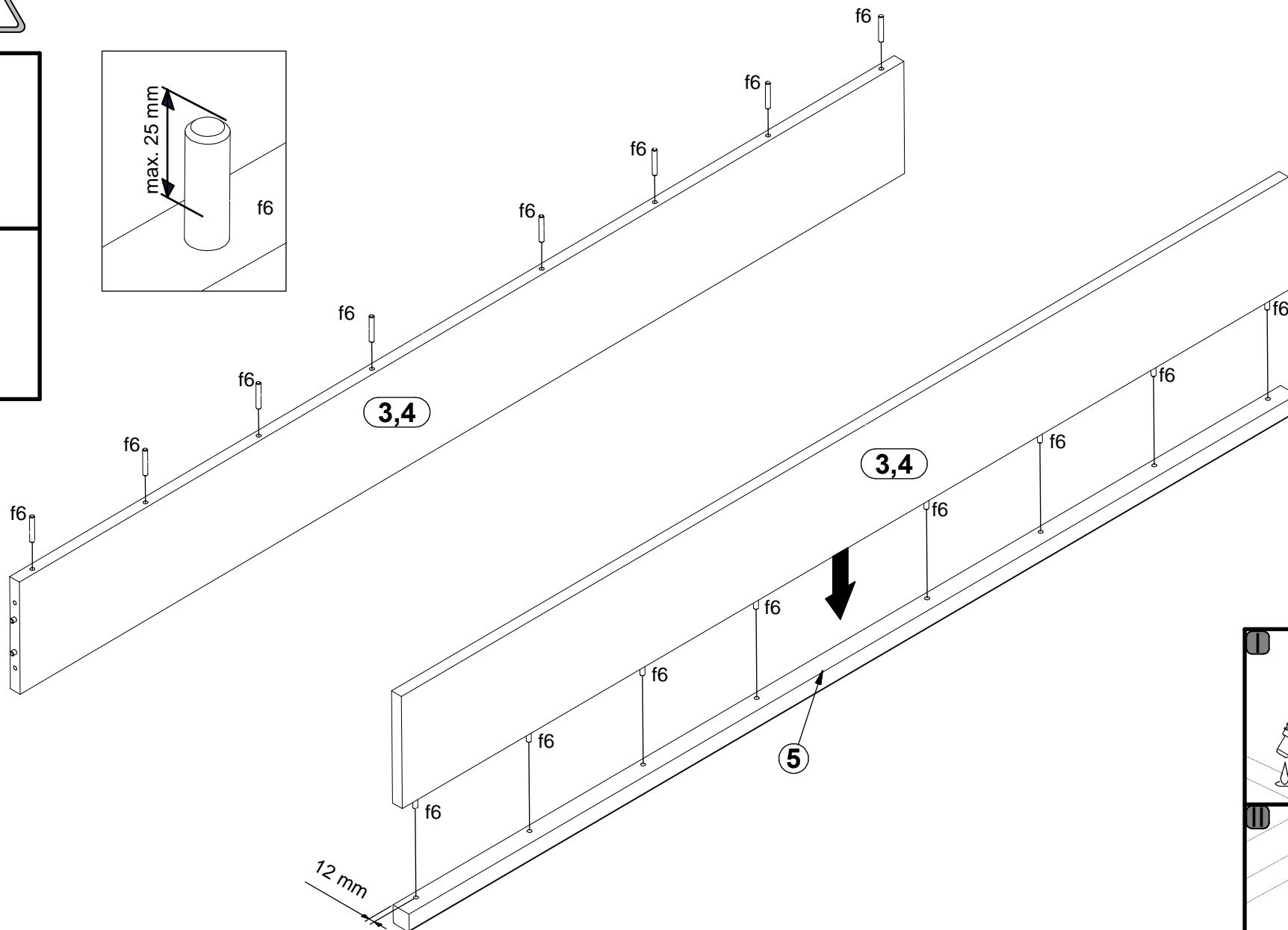
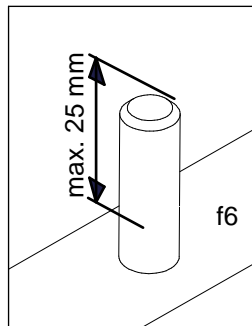
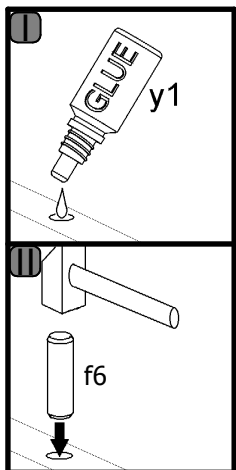
1 



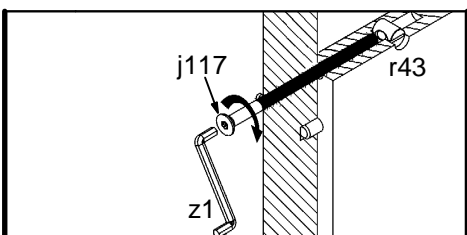
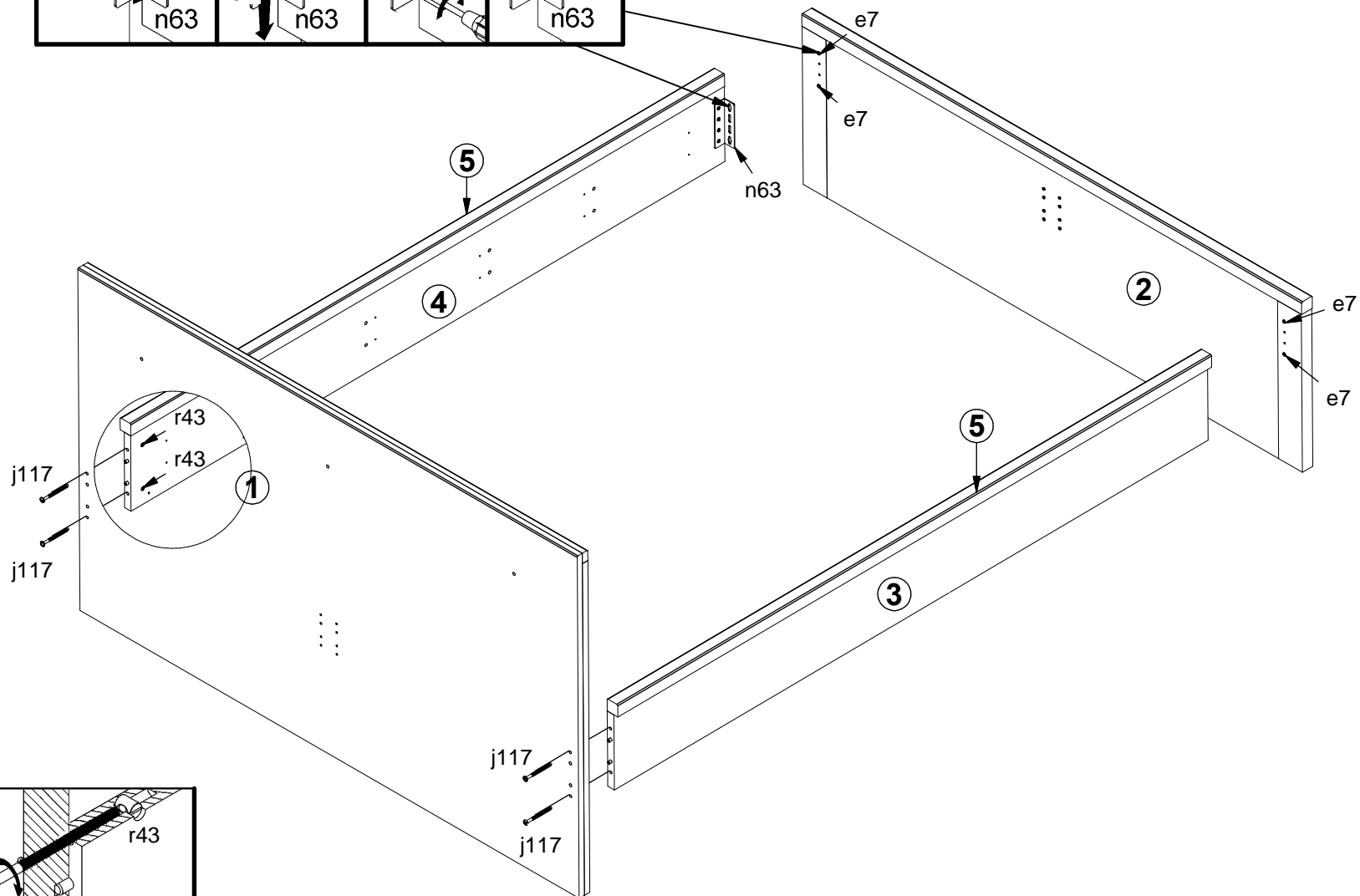
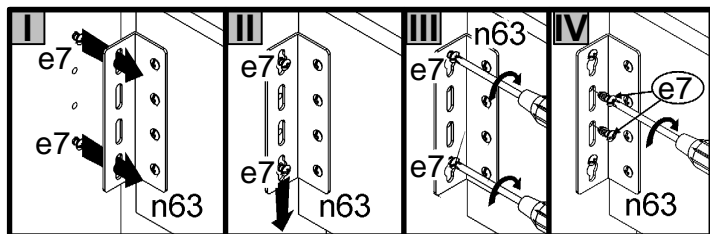
1 

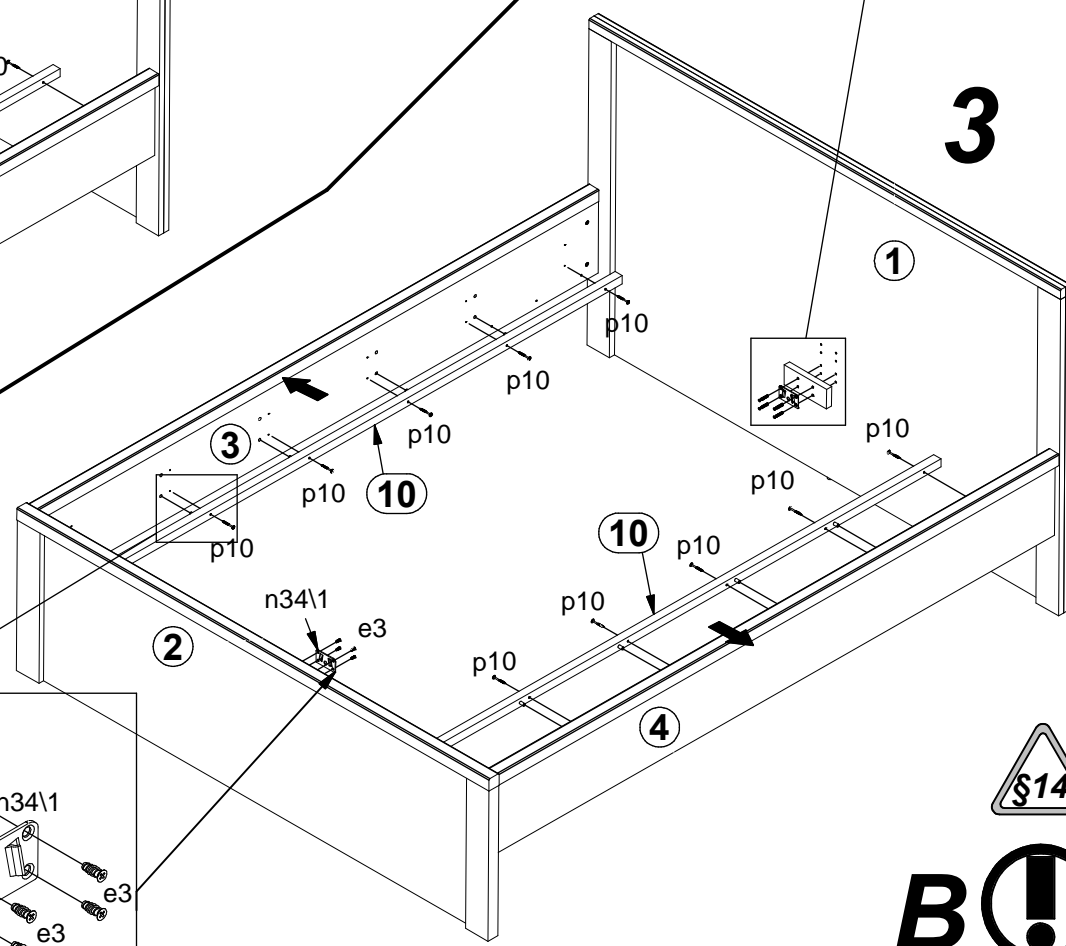
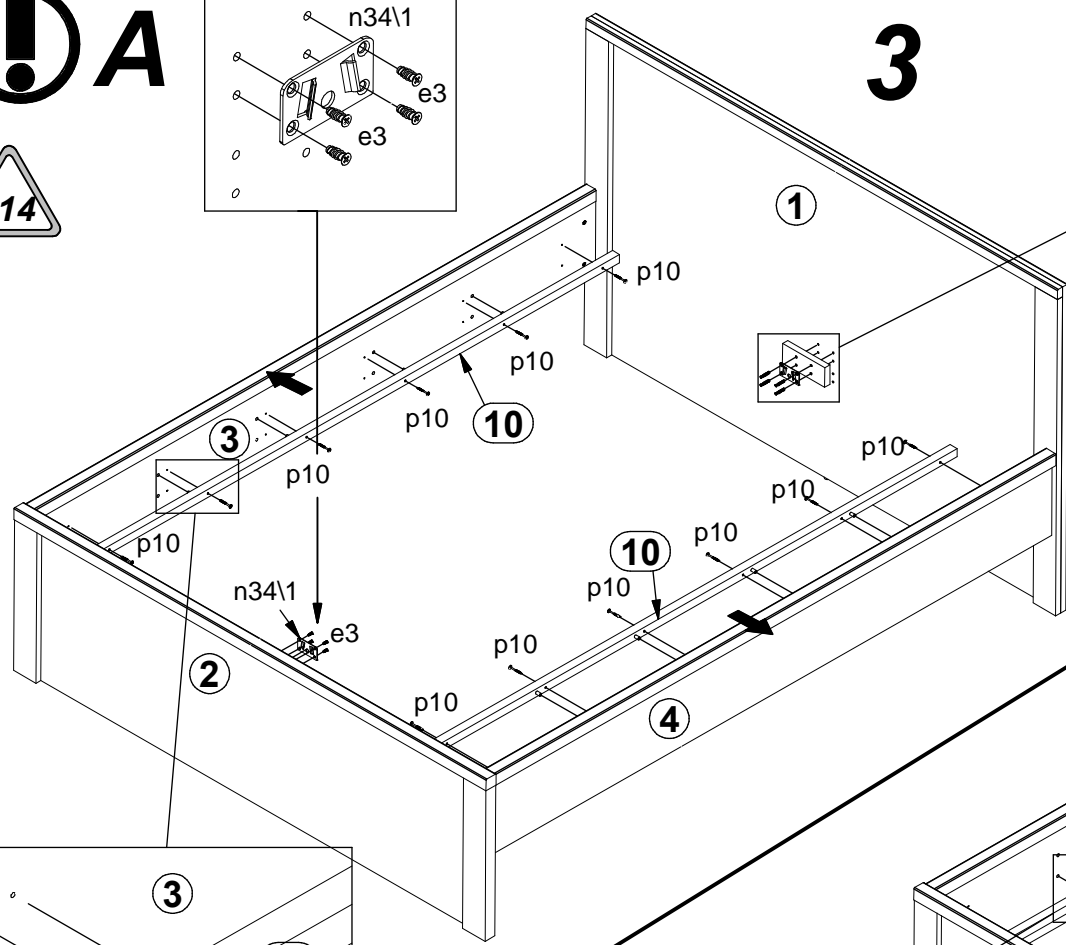
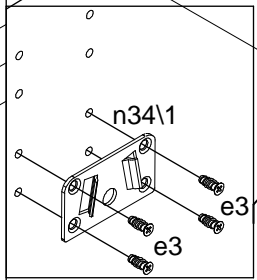
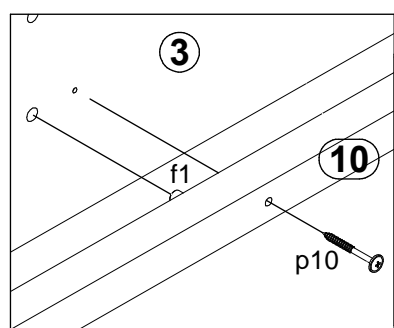
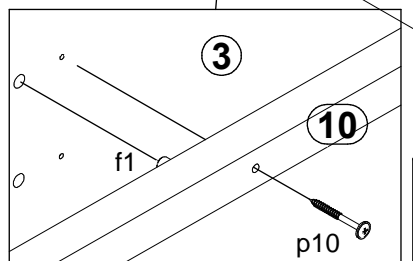
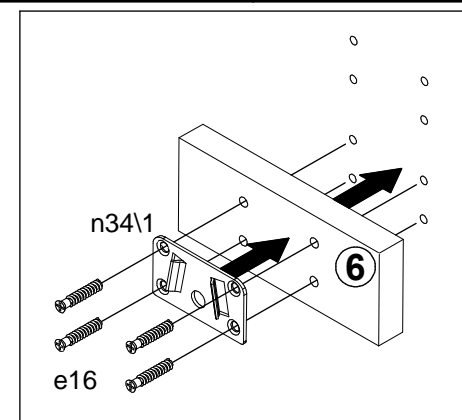
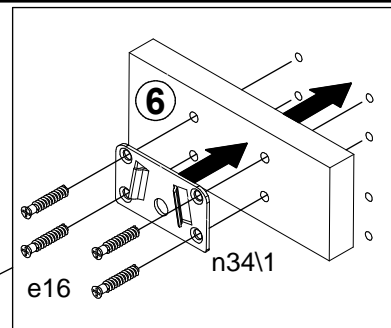
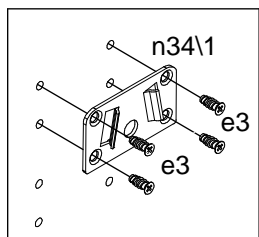


1 



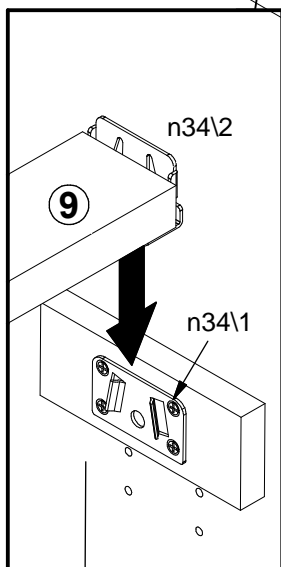
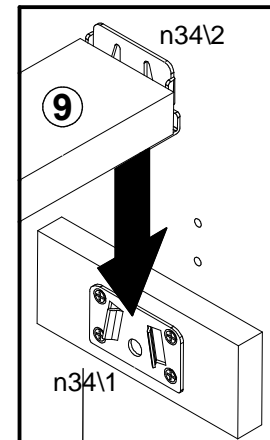
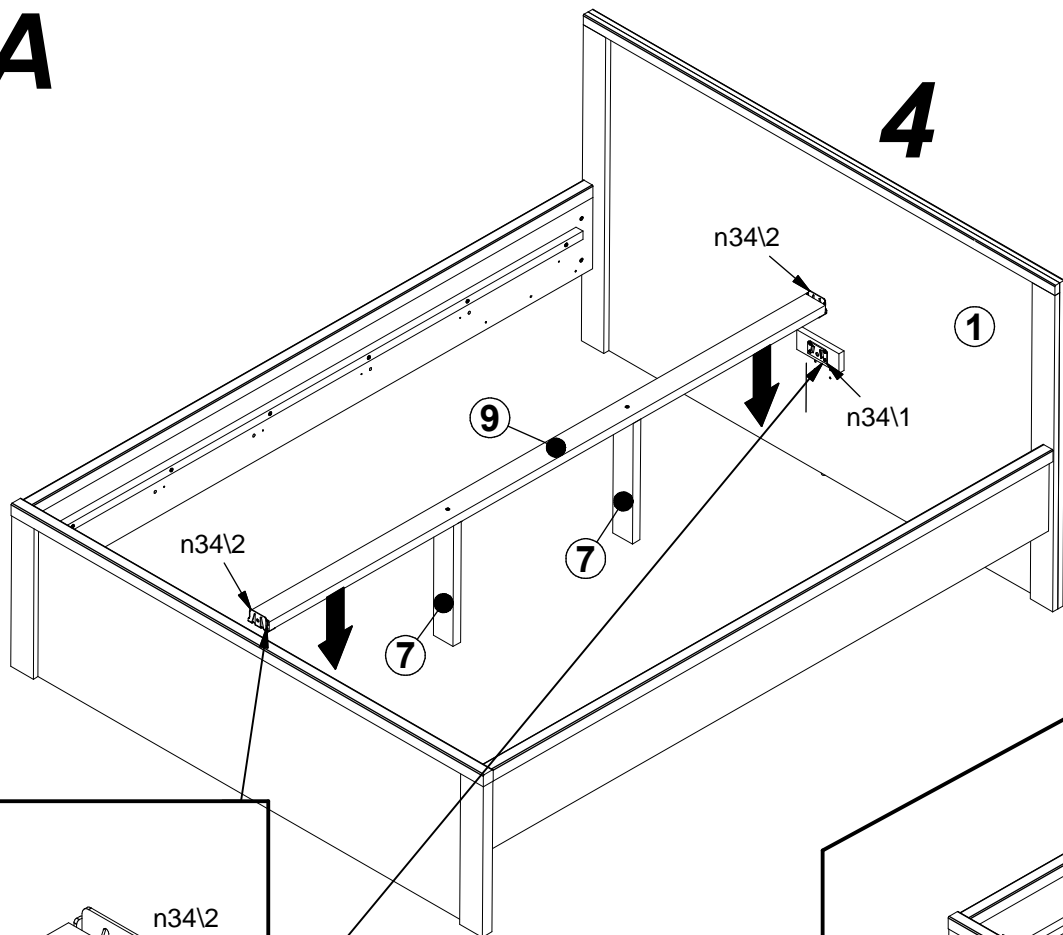
2 



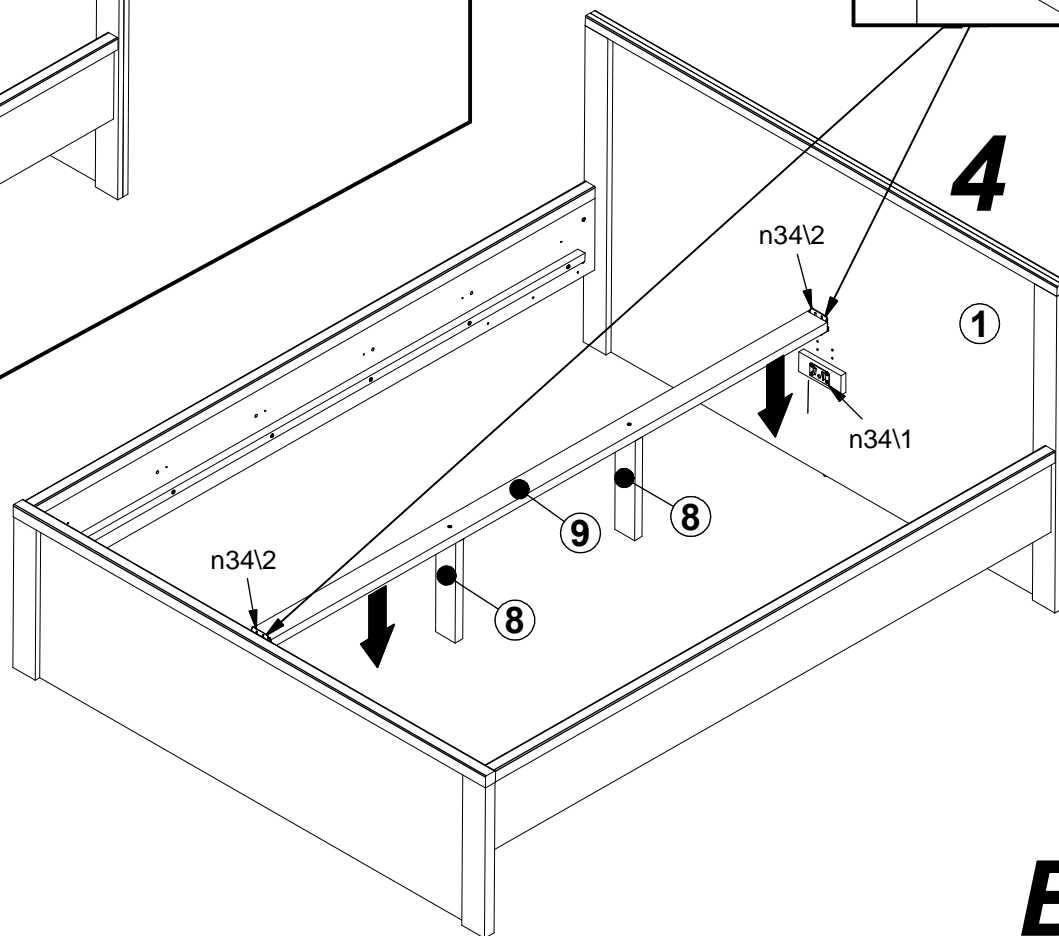


A

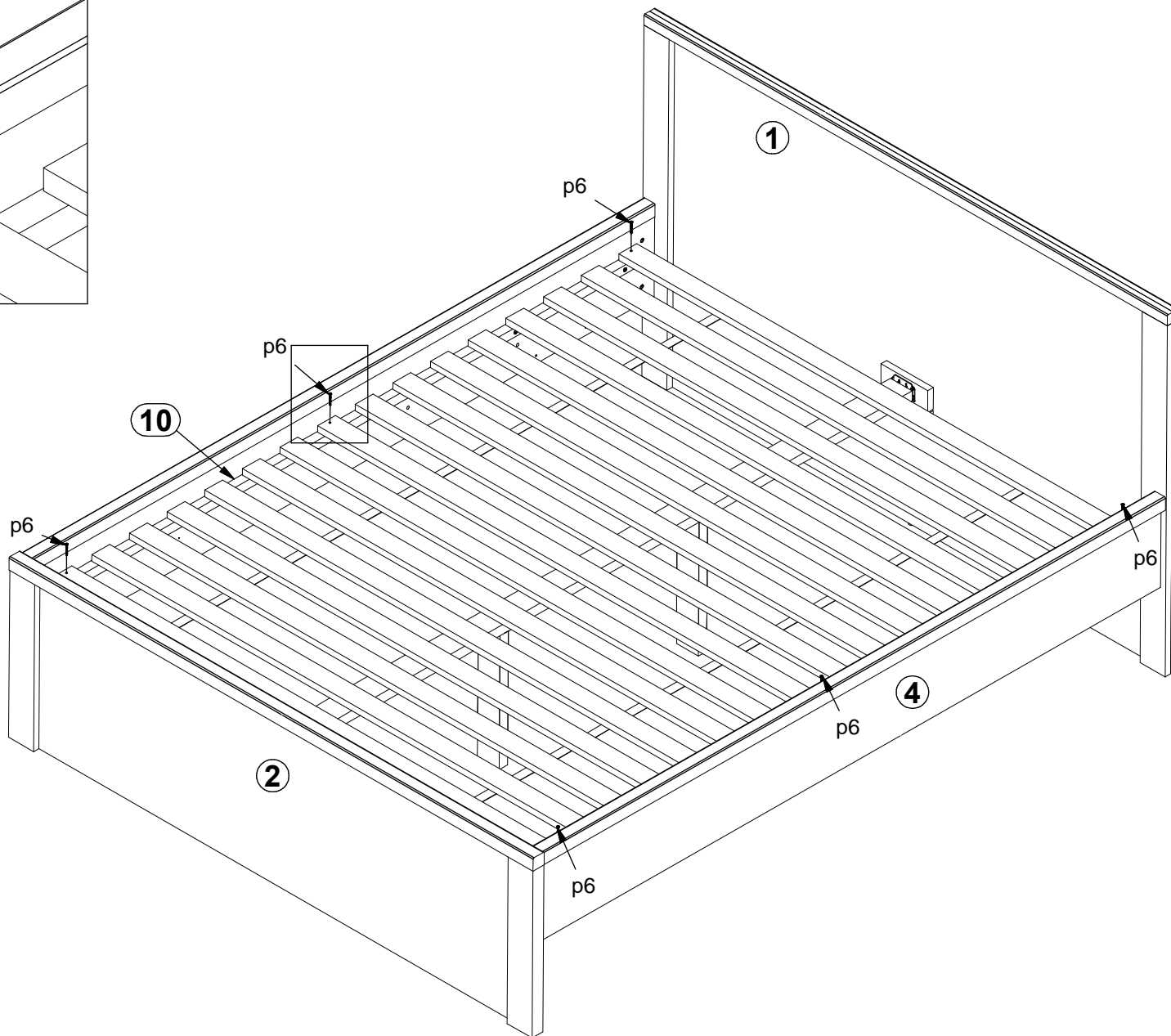
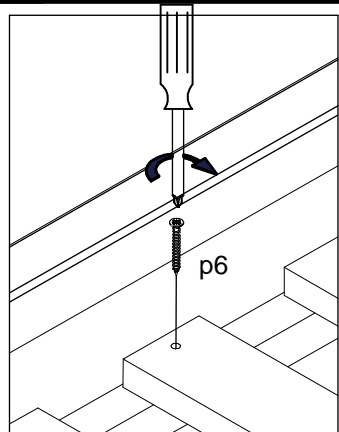
4



4



B



| A | B | C1 | C2 | C3 | D |
|----|---|------|-----|----|-----|
| 11 | | 1450 | 380 | 80 | 1/1 |

