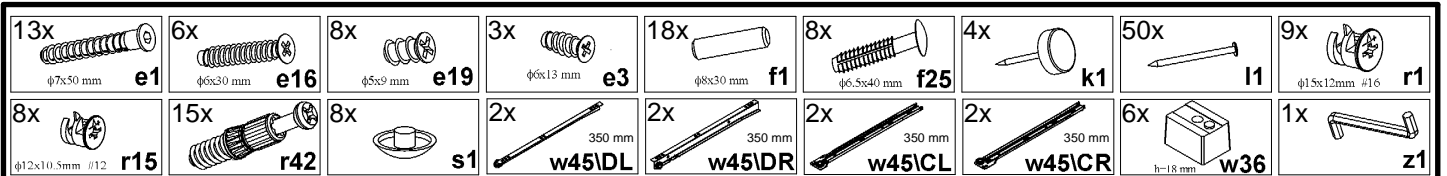
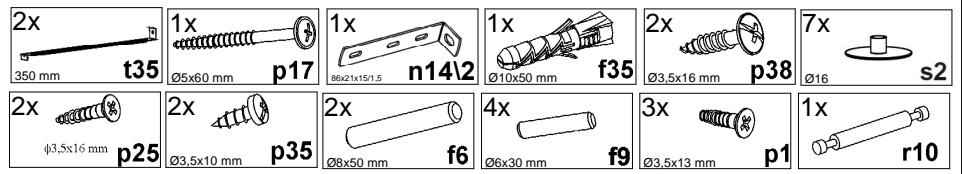
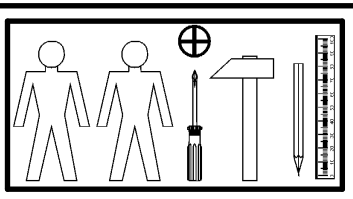
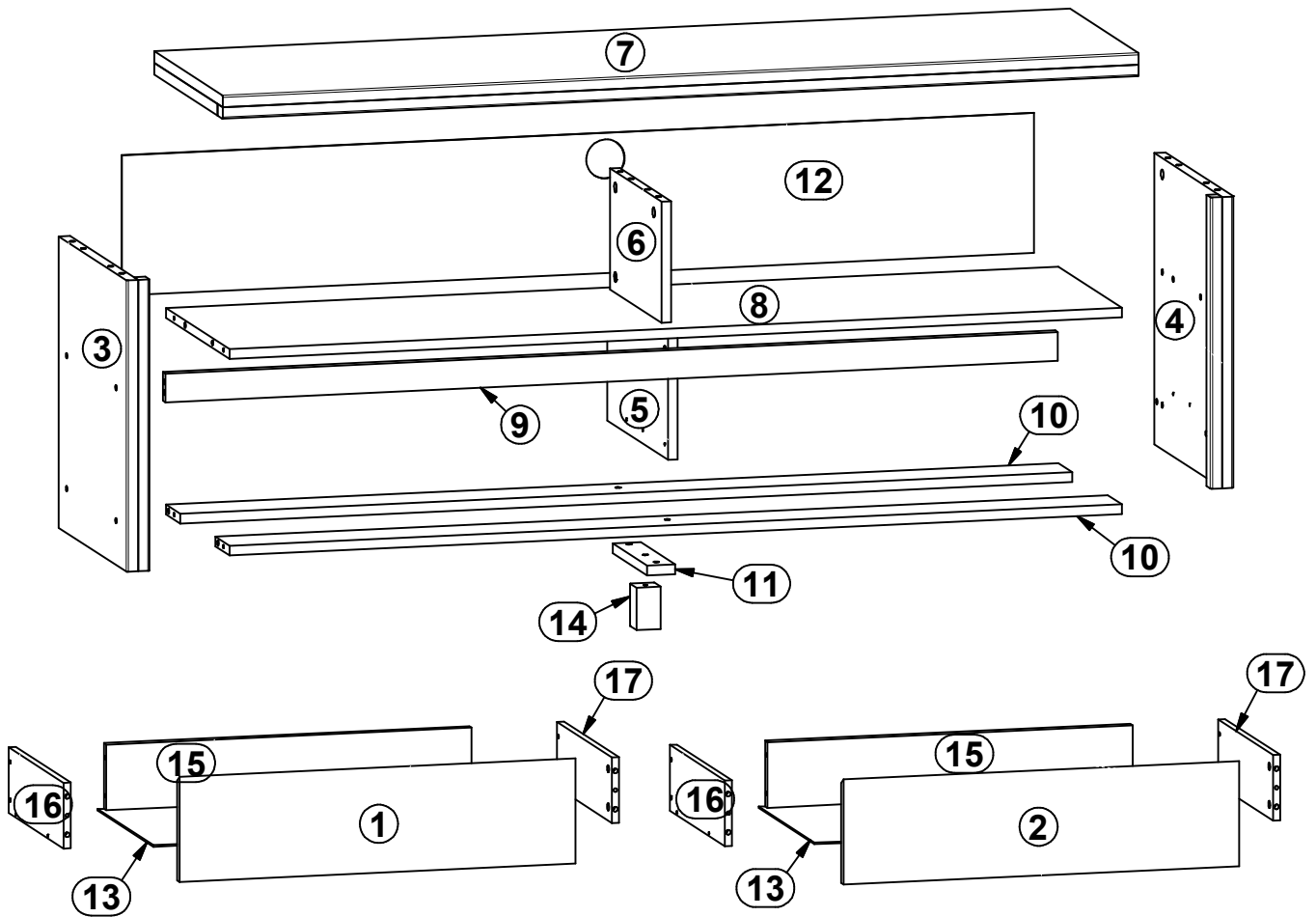
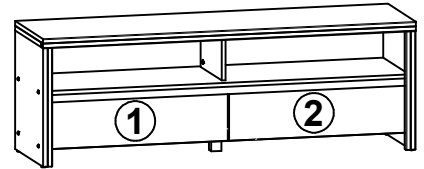


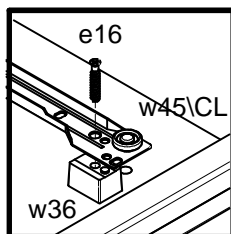
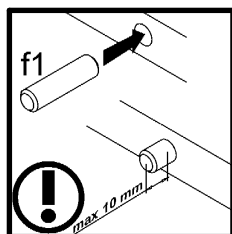
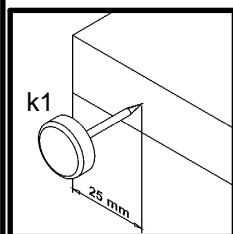
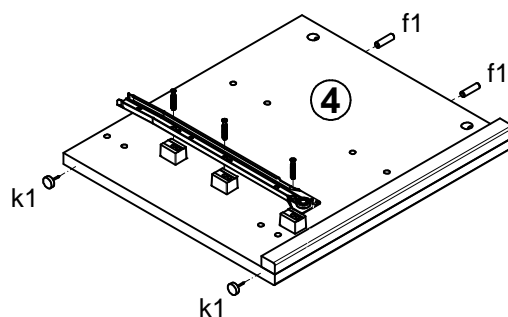
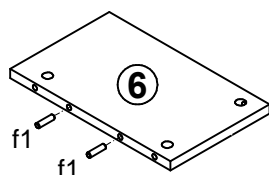
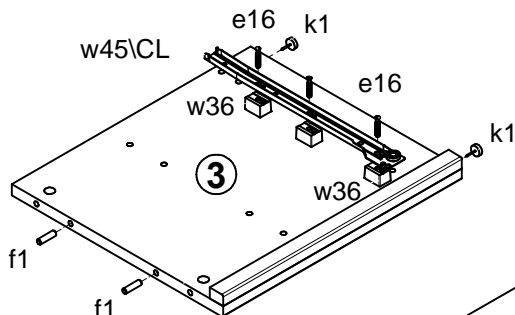
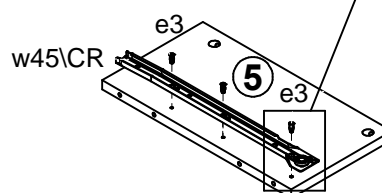
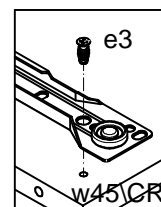
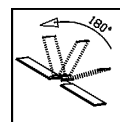
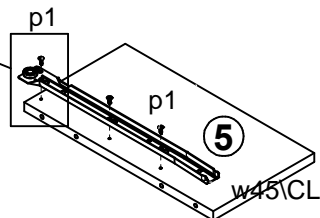
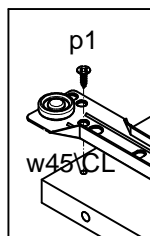
# KASPIAN

# S128-RTV2S\_II

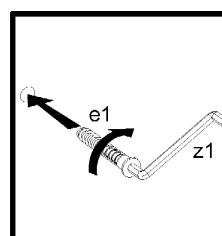
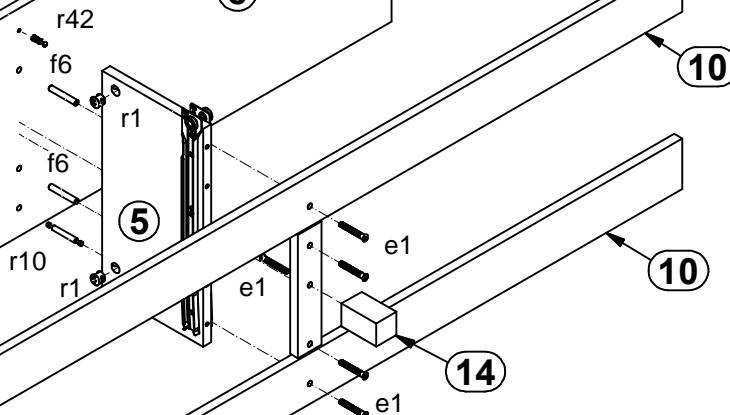
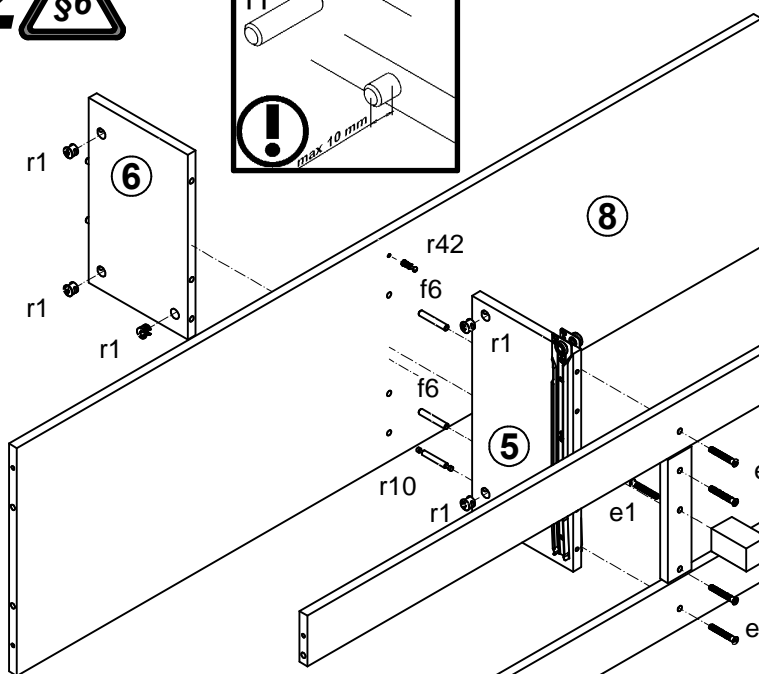
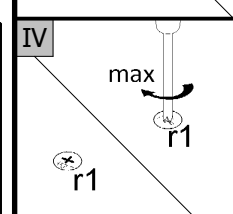
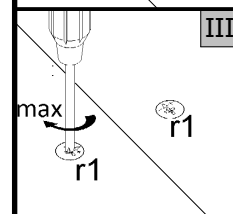
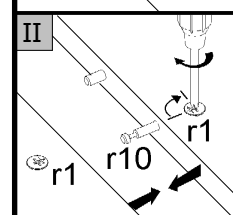
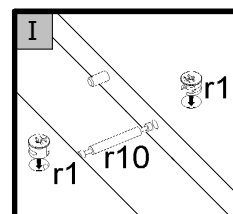
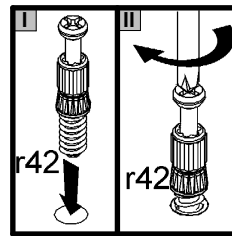
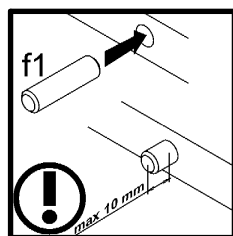
A	B	C1	C2	C3	D
1	S508-0011	675	176	15	2/2
2	S508-0012	675	176	15	2/2
3	S508-1016	447	396	36	1/2
4	S508-1017	447	396	36	1/2
5	S508-1018	189	354,	15	1/2
6	S508-1019	185,5	300	15	1/2
7	S508-2006	1432	399,	36	1/2
8	S508-3006	1395	370	15	1/2
9	S508-4004	1395	44	15	1/2
10	S508-4011	1395,	82	15	1/2
11	S508-4012	200	44	15	1/2
12	S508-9002	215	1426,	2,5	1/2
13	WSP-9290	643,	355	2,5	1/2
14	ZN1-501	65	38	38	1/2
15	ZS7-5035	623	110	15	1/2
16	ZS7-521	350	110	12	1/2
17	ZS7-522	350	110	12	1/2



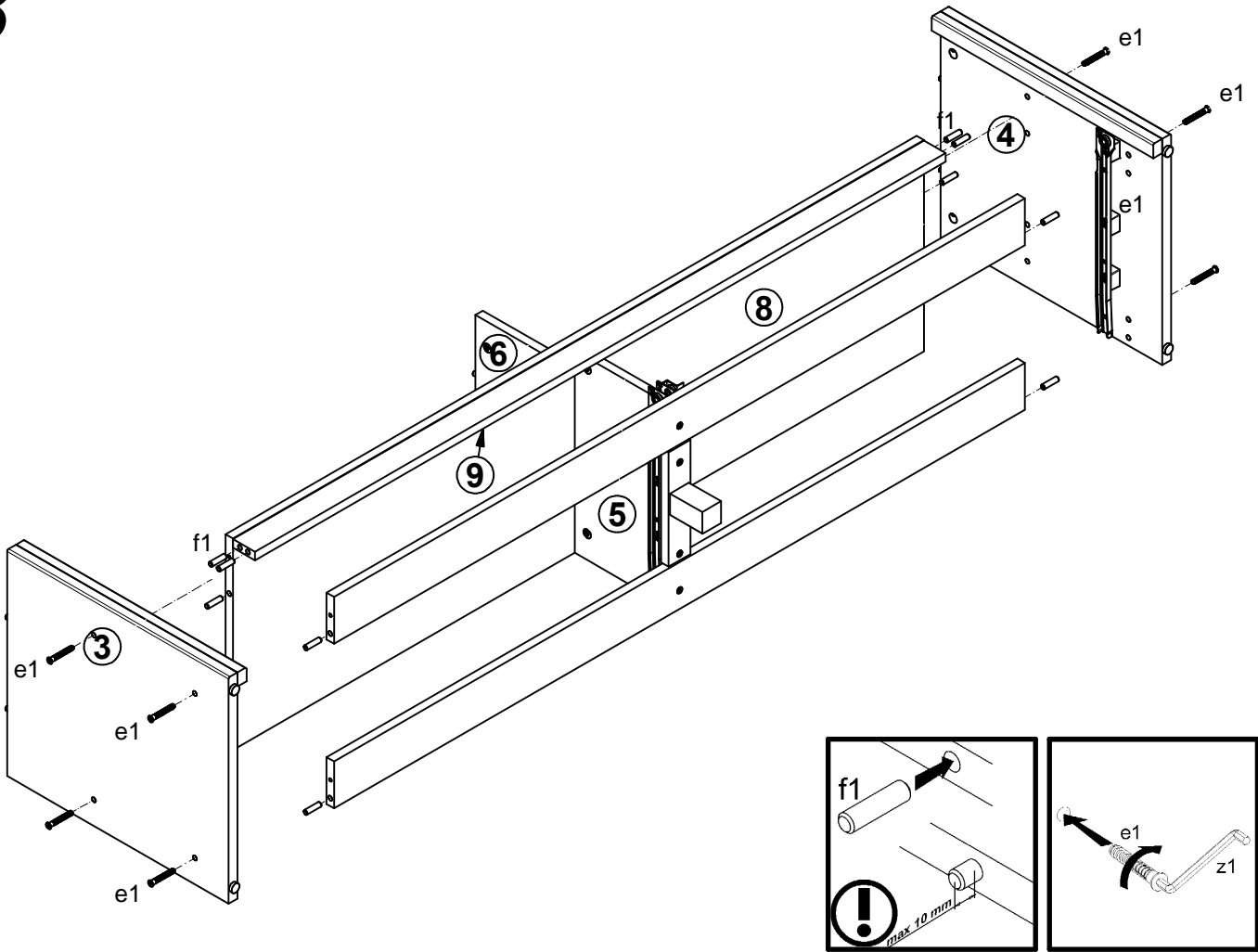
1 



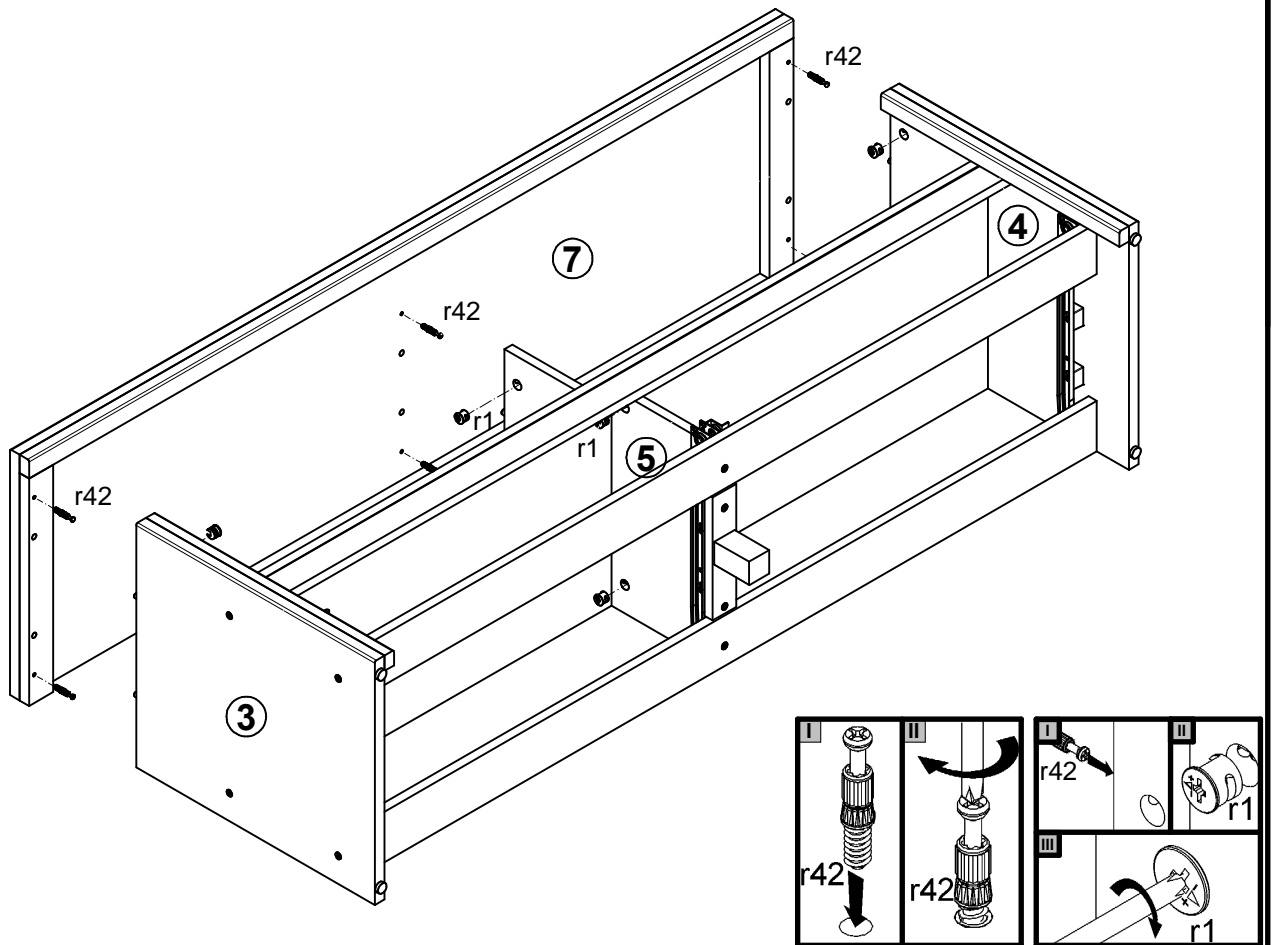
2 

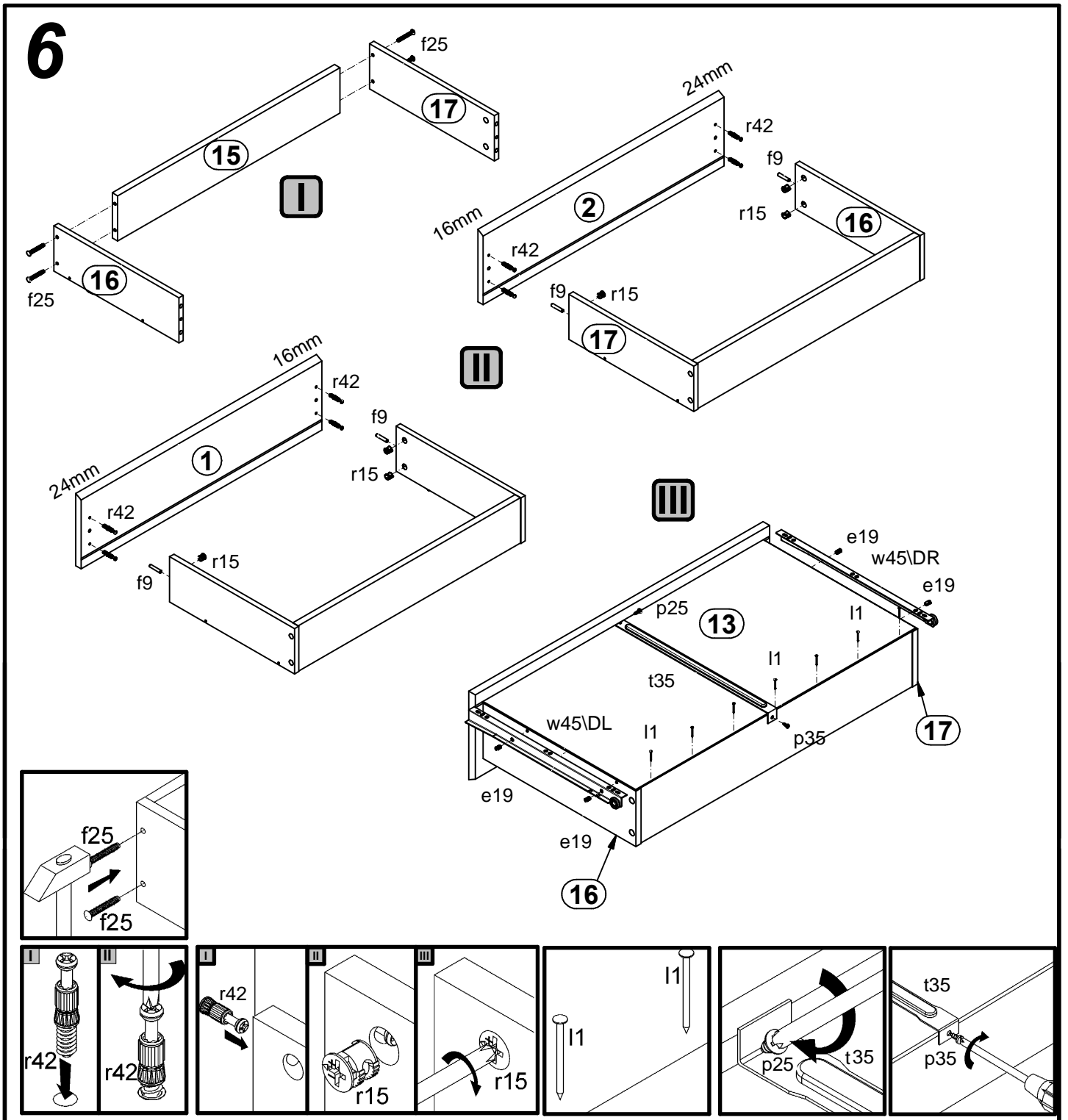
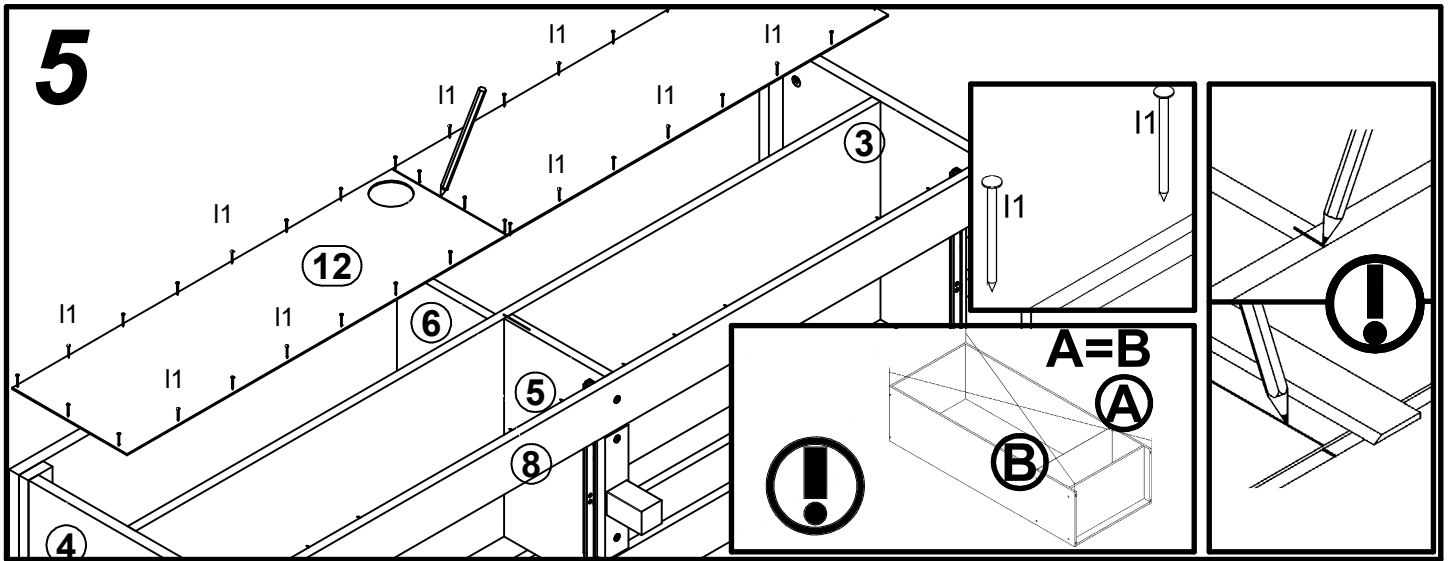


# 3



# 4





# 7

