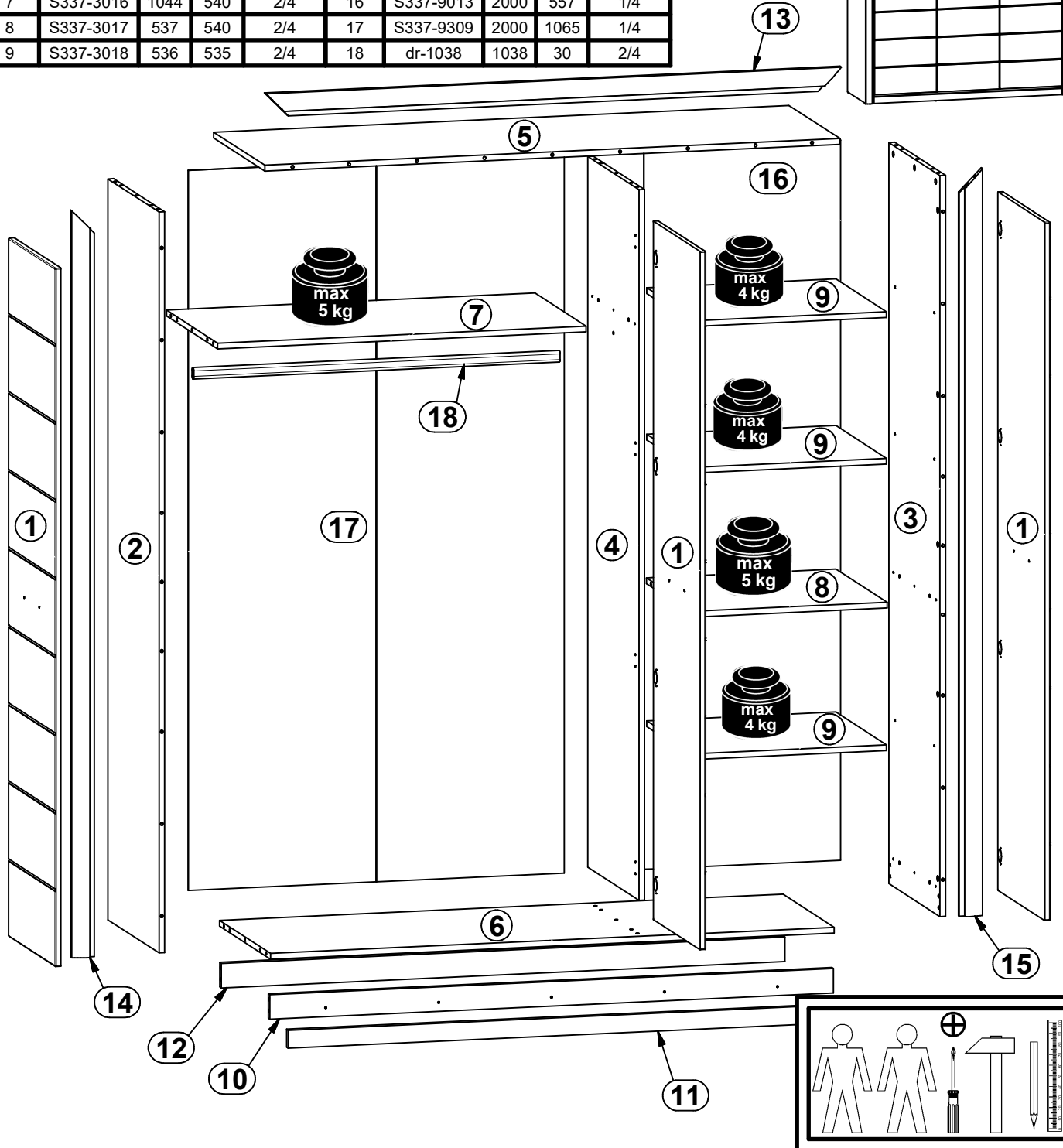
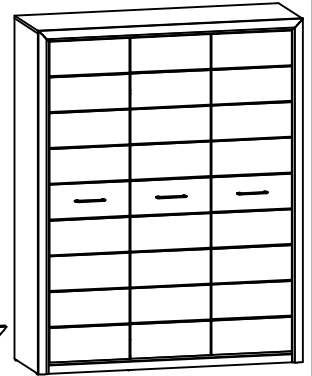
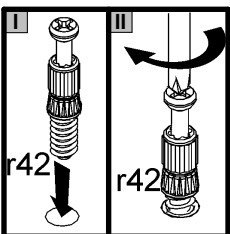
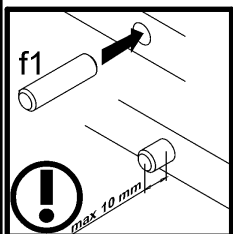
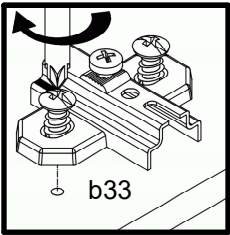
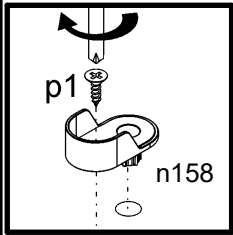
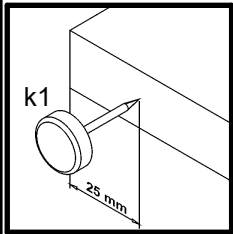
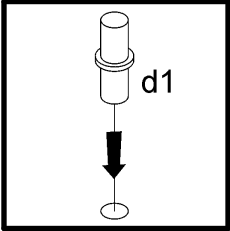
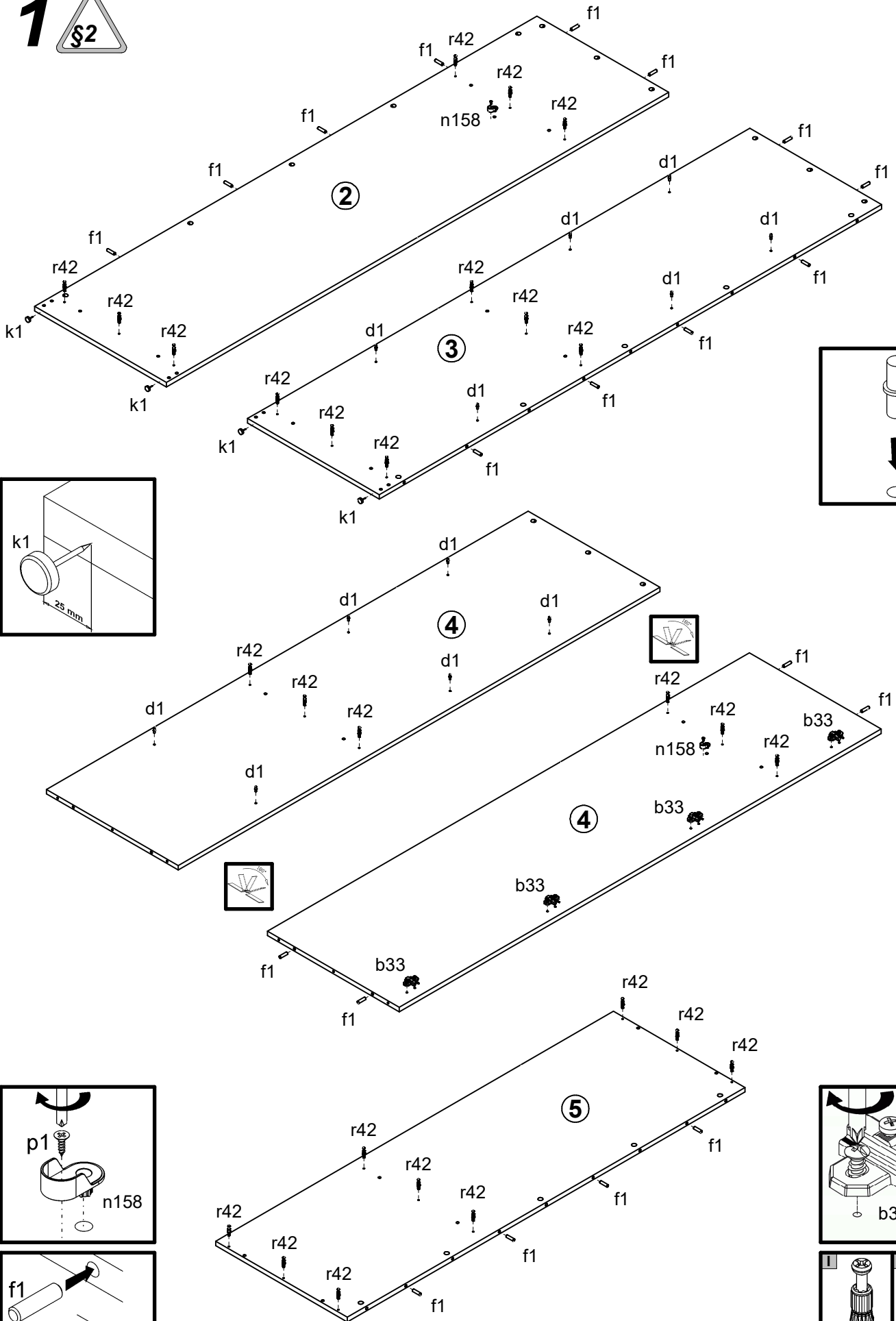


A	B	C	D	A	B	C	D		
1	S337-0019	496	1940	4/4	10	S337-4007	1597	68	2/4
2	S337-1031	2058	540	1/4	11	S337-4009	1501	50	2/4
3	S337-1032	2058	540	1/4	12	S337-4022	1597	68	2/4
4	S337-1033	1974	540	1/4	13	S337-5009	1631	65	3/4
5	S337-2010	1630	540	2/4	14	S337-5034	2075	65	3/4
6	S337-3015	1597	540	2/4	15	S337-5035	2075	65	3/4
7	S337-3016	1044	540	2/4	16	S337-9013	2000	557	1/4
8	S337-3017	537	540	2/4	17	S337-9309	2000	1065	1/4
9	S337-3018	536	535	2/4	18	dr-1038	1038	30	2/4

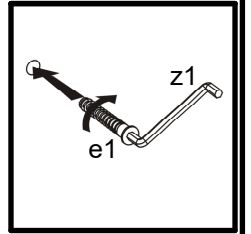
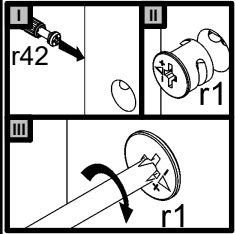
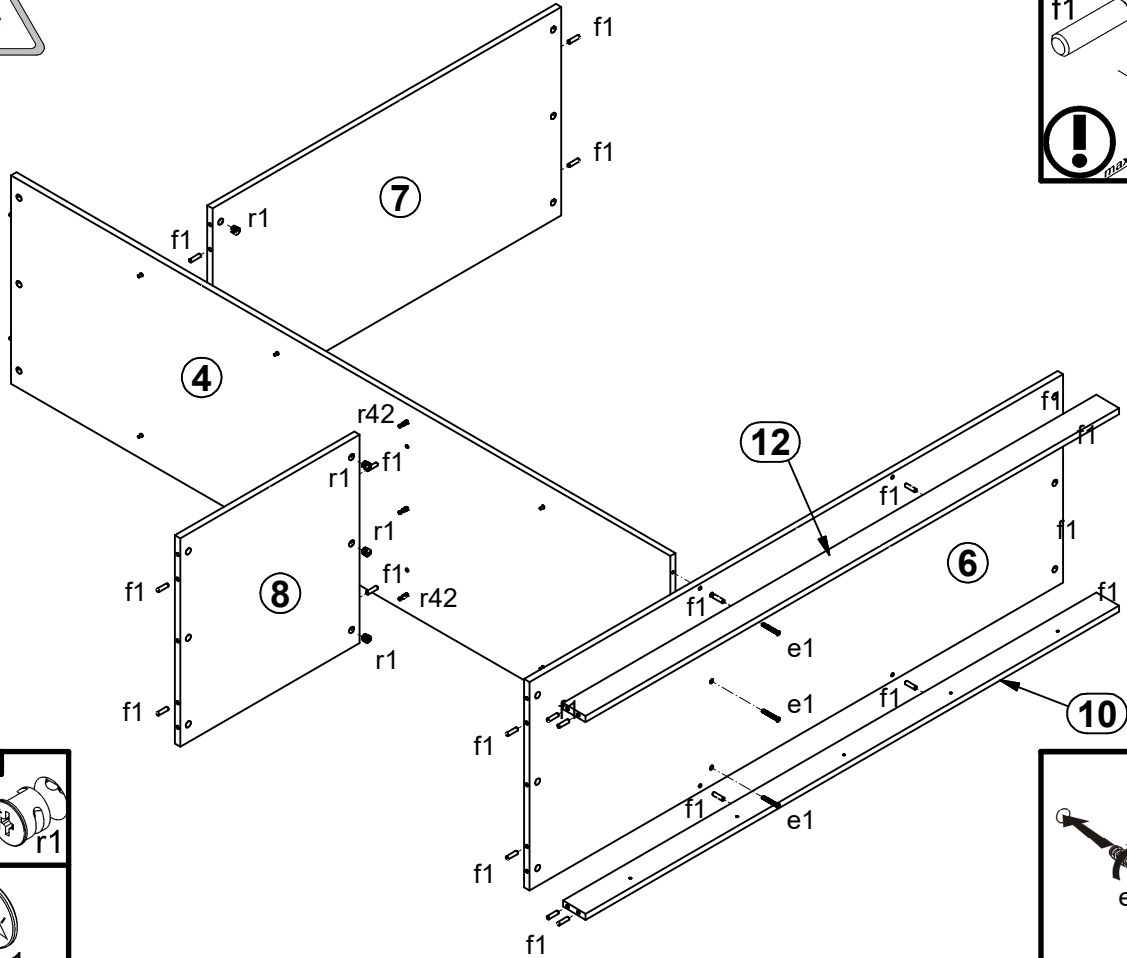


4x a68	8x a99	4x b33	8x b43	3x c431	12x d1	3x e1	16x e2	46x f1
6x j30	6x k1	120x l1	1x n26	2x n158	2x p1	1x p38	24x p51	5x p94
46x r1	2x r10	42x r42	30x s2	1x z1				

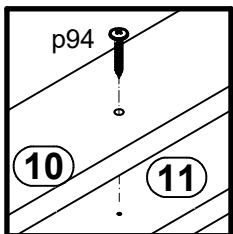
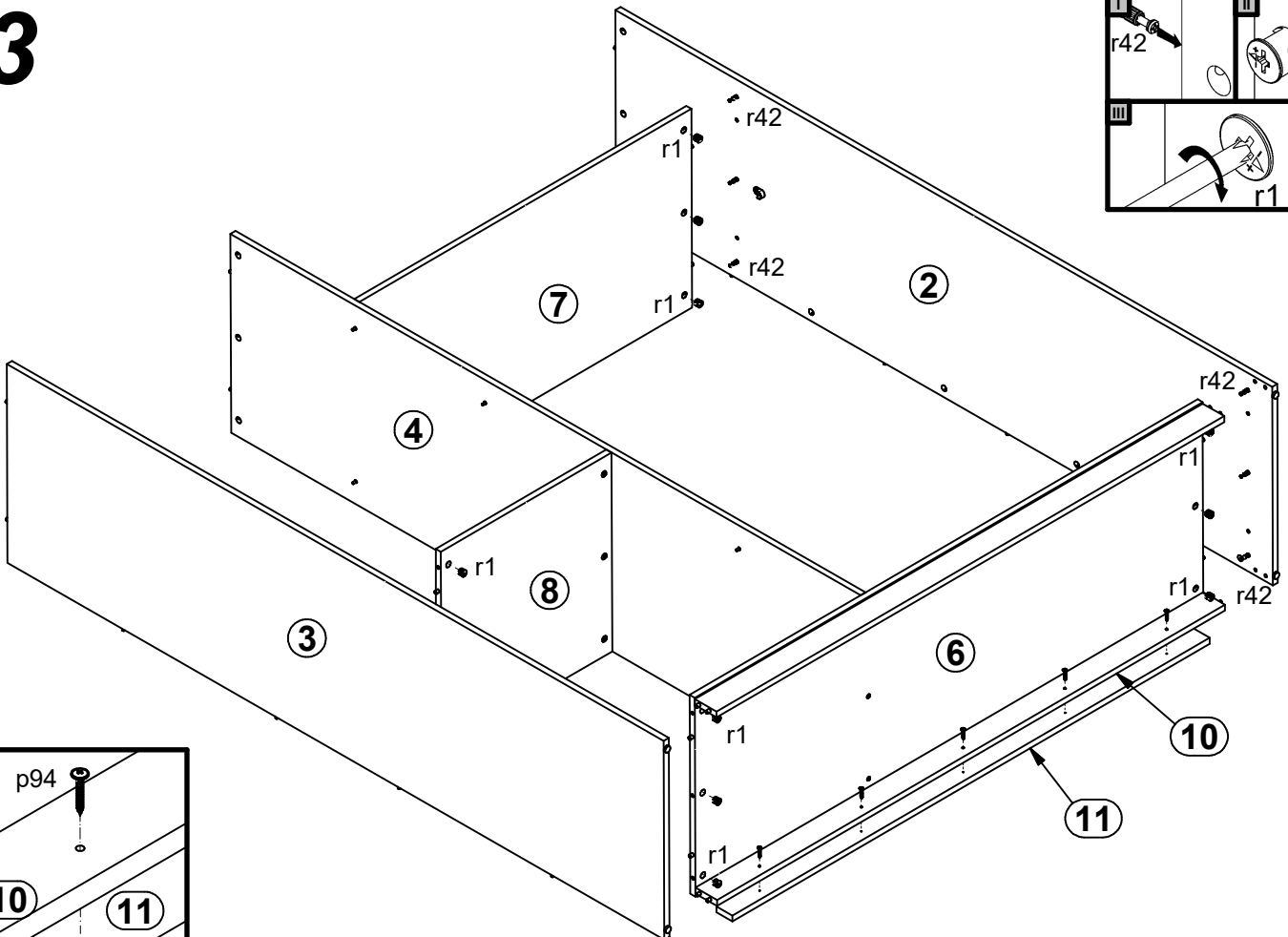
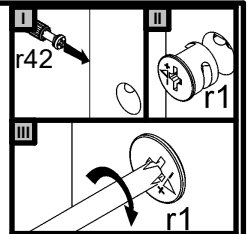
1 §2



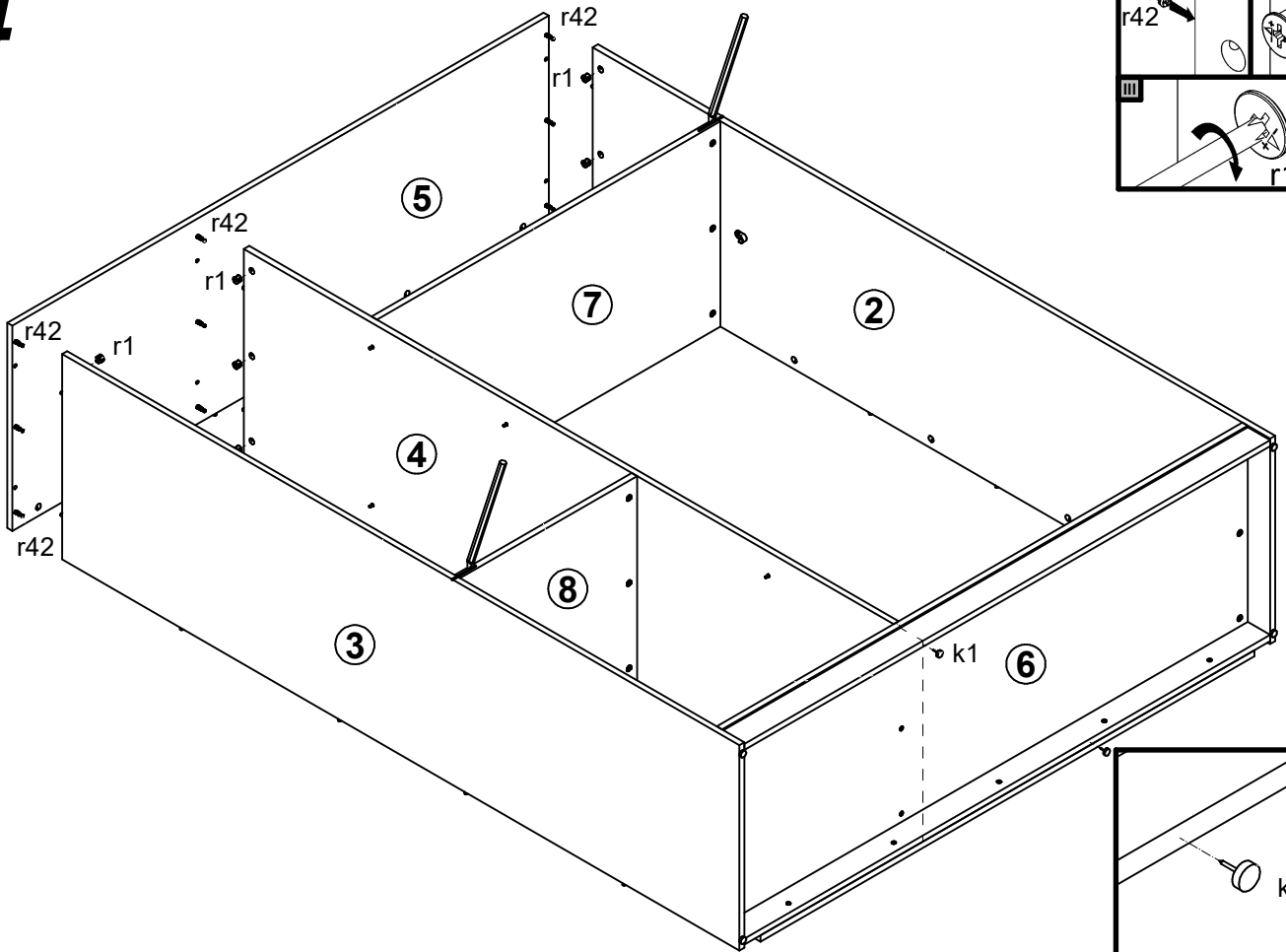
# 2



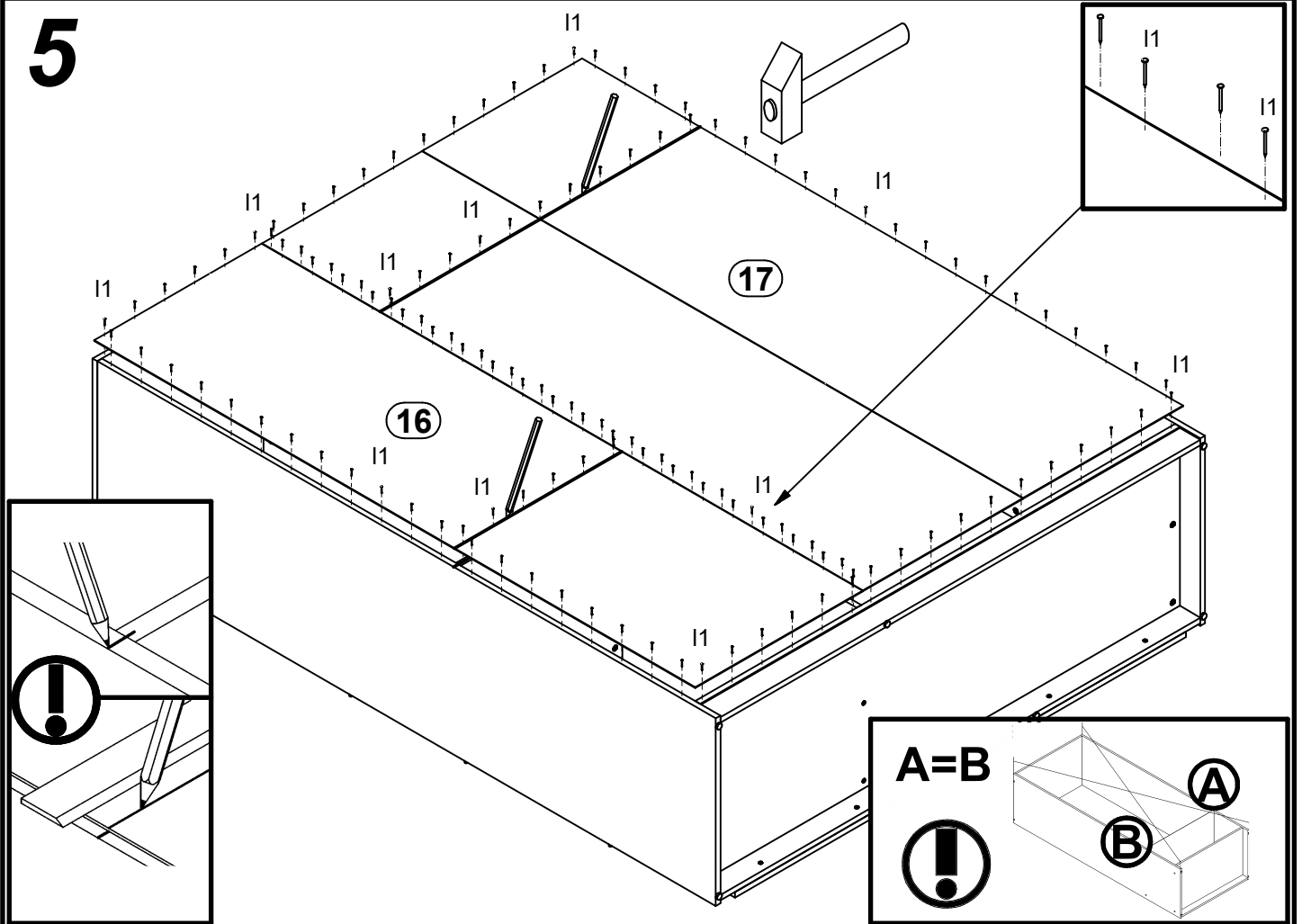
# 3



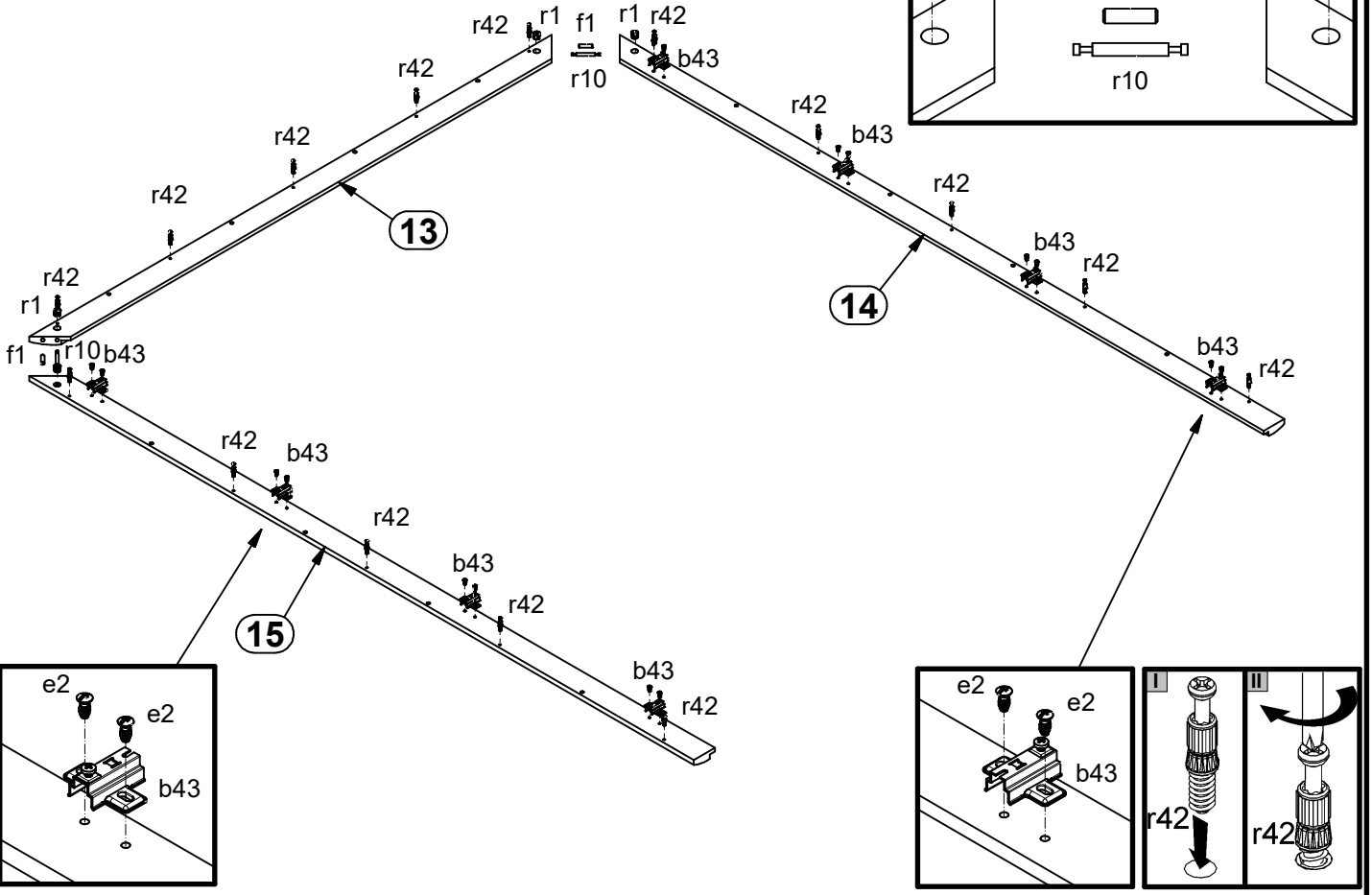
# 4



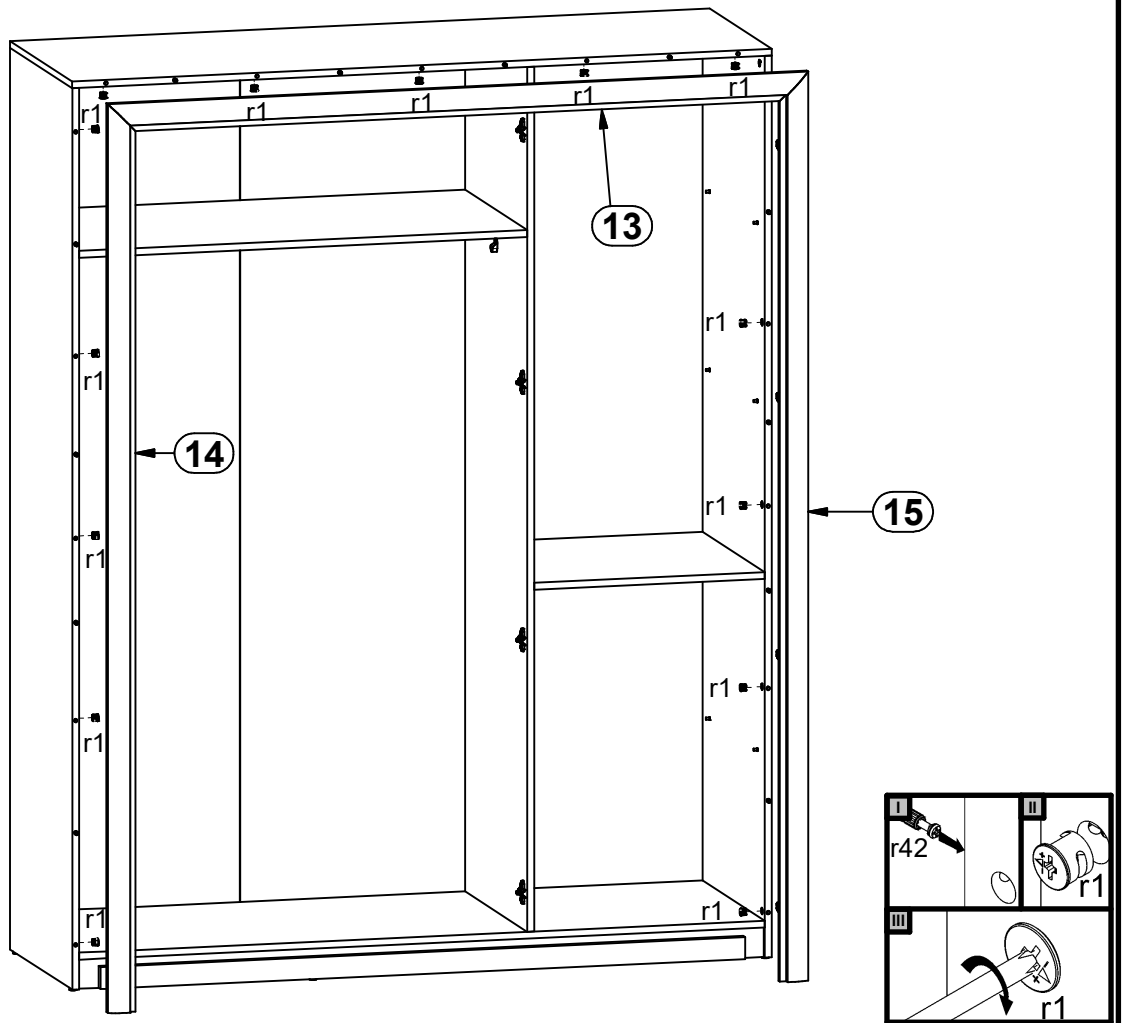
# 5



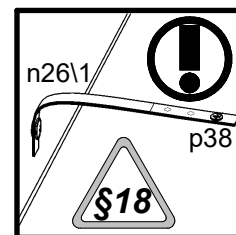
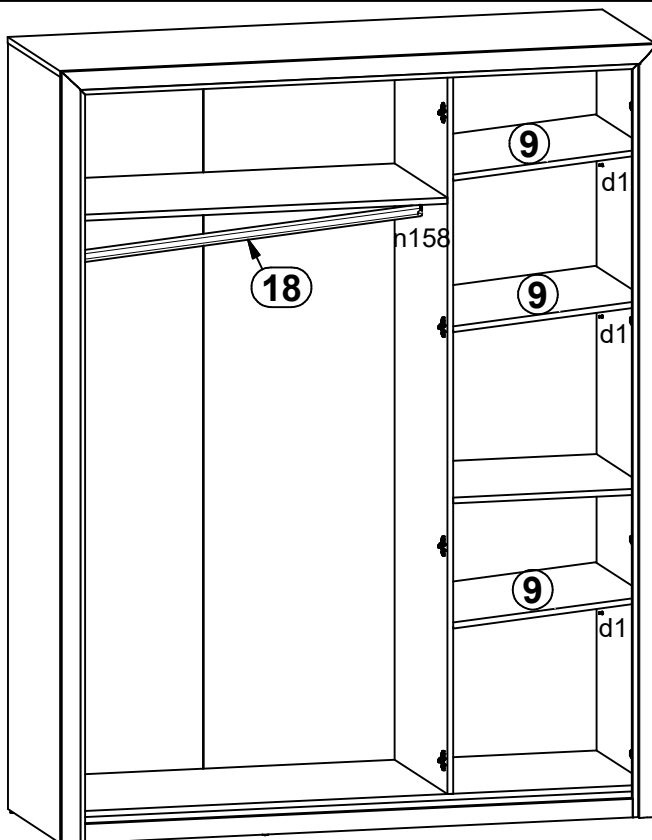
# 6



# 7



# 8



# 9

