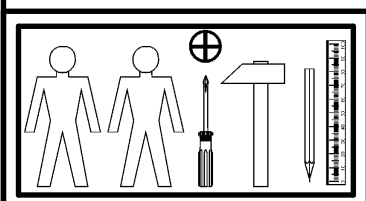
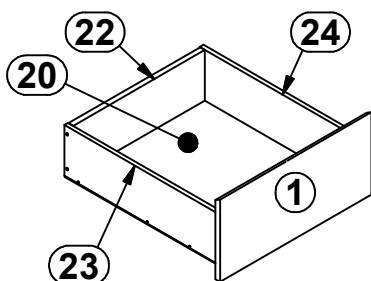
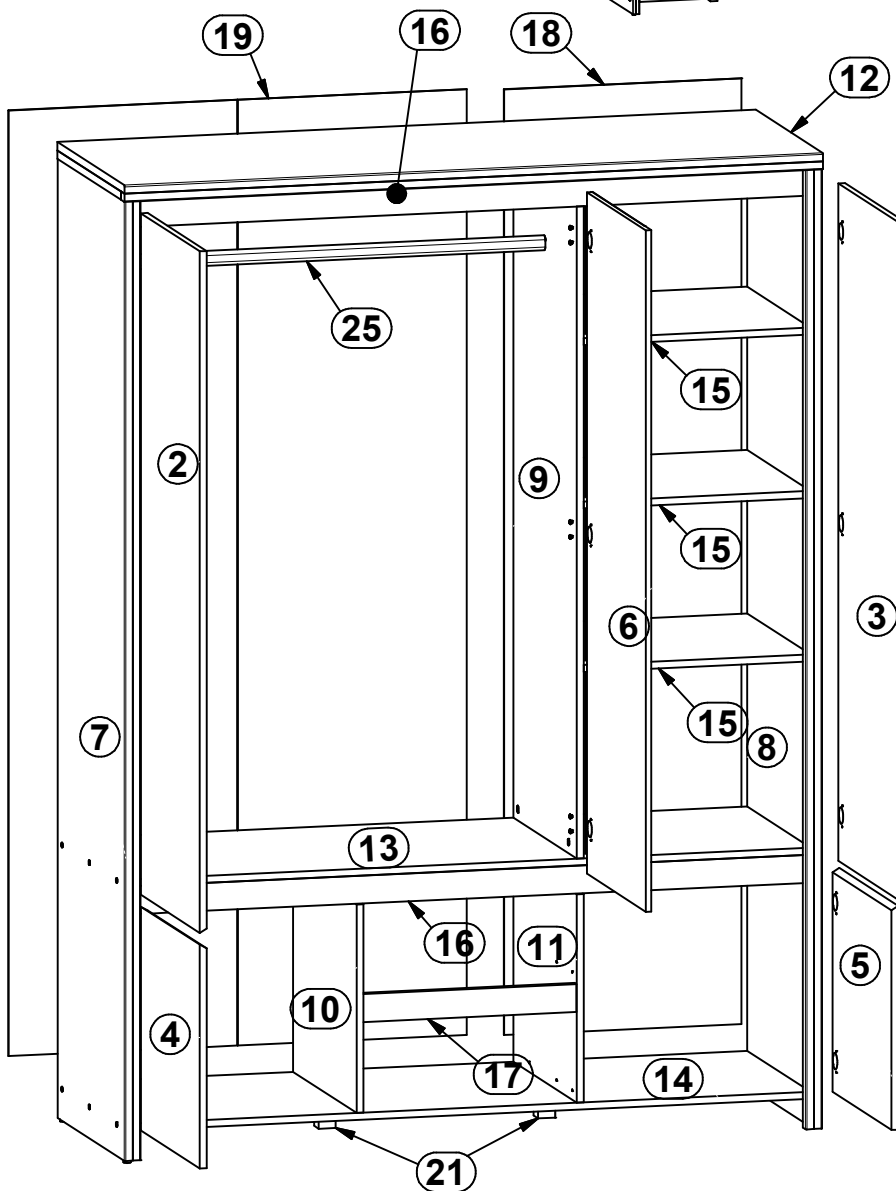
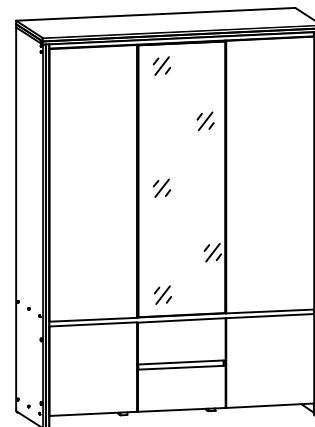


KASPIAN

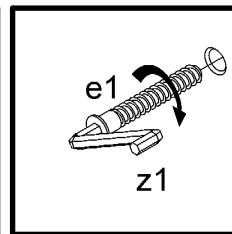
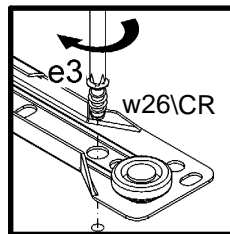
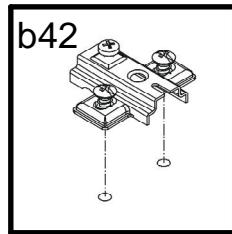
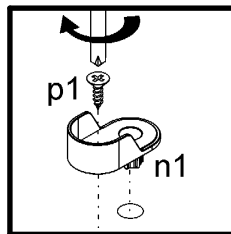
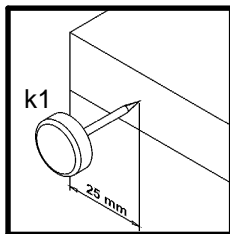
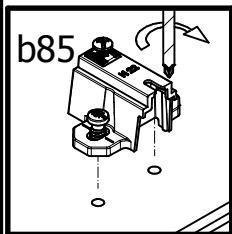
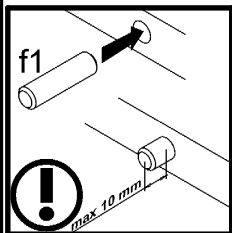
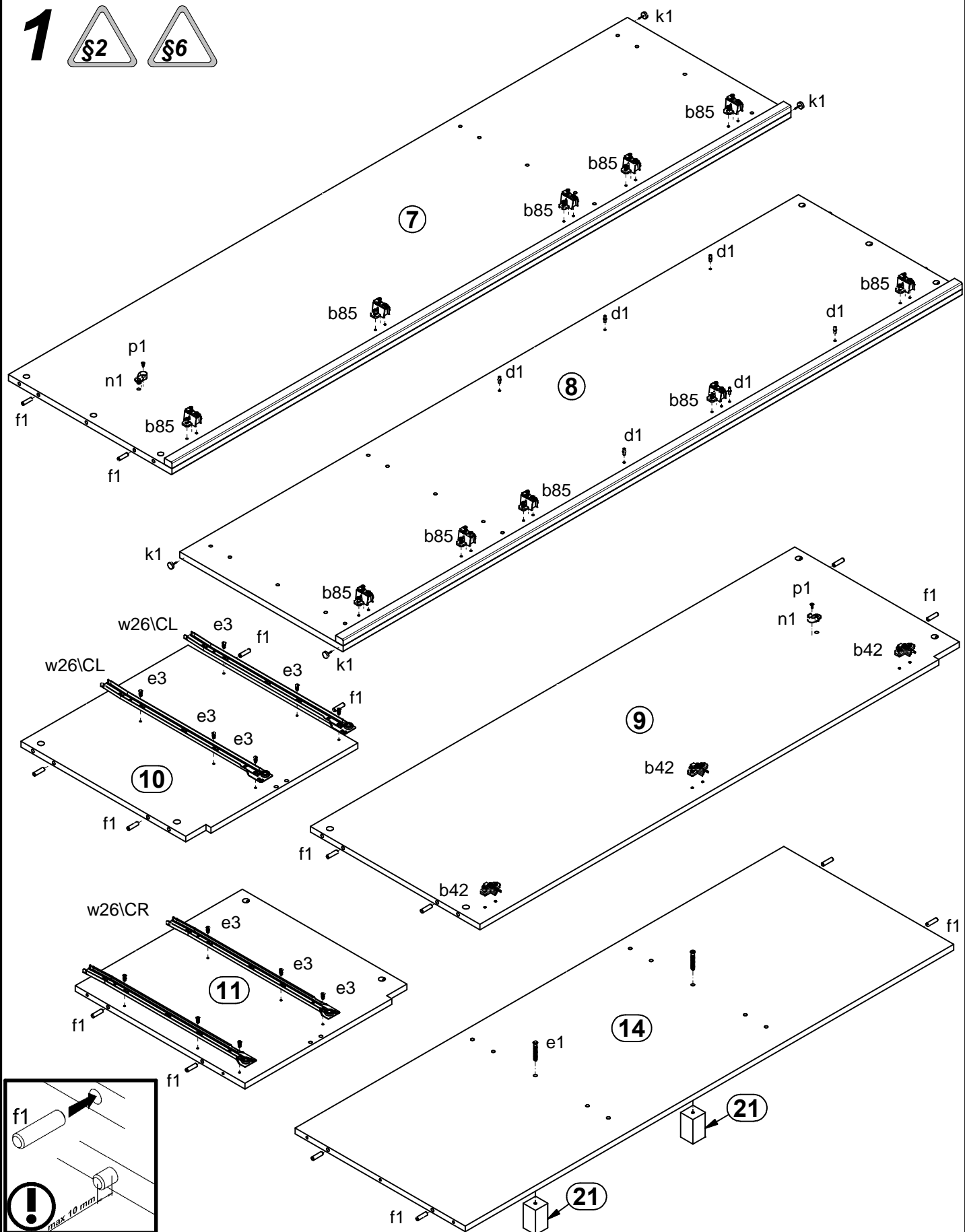
S128-SZF5D2S

A	B	C1	C2	C3	D
1	S508-0026	482	227,	15	4/6
2	S508-0027	1468	482	15	5/6
3	S508-0028	1468	482	15	5/6
4	S508-0017	482	482	15	4/6
5	S508-0018	482	482	15	4/6
6	S508-0031	1468	482	15,	6/6
7	S508-1041	2066	546	36	2/6
8	S508-1042	2066	546	36	2/6
9	S508-1043	1482	519	15	3/6
10	S508-1044	511,	519	15	1/6
11	S508-1045	511,	519	15	1/6
12	S508-2014	1532	549	36	3/6
13	S508-3022	1495	520	15	3/6
14	S508-3023	1495	520	15	3/6
15	S508-3026	498	518	15	1/6
16	S508-4021	1495,	60	15	3/6
17	S508-4022	468,	60	15	3/6
18	S508-9008	2037	521	2,5	2/6
19	S508-9309	2037	1005	2,5	2/6
20	WSP-9299	439,	505	2,5	3/6
21	ZN1-501	65	38	38	3/6
22	ZS7-5042	419	140	15	1/6
23	ZS7-509	500	140	12	1/6
24	ZS7-510	500	140	12	1/6
25	dr-975	975	30	15	3/6

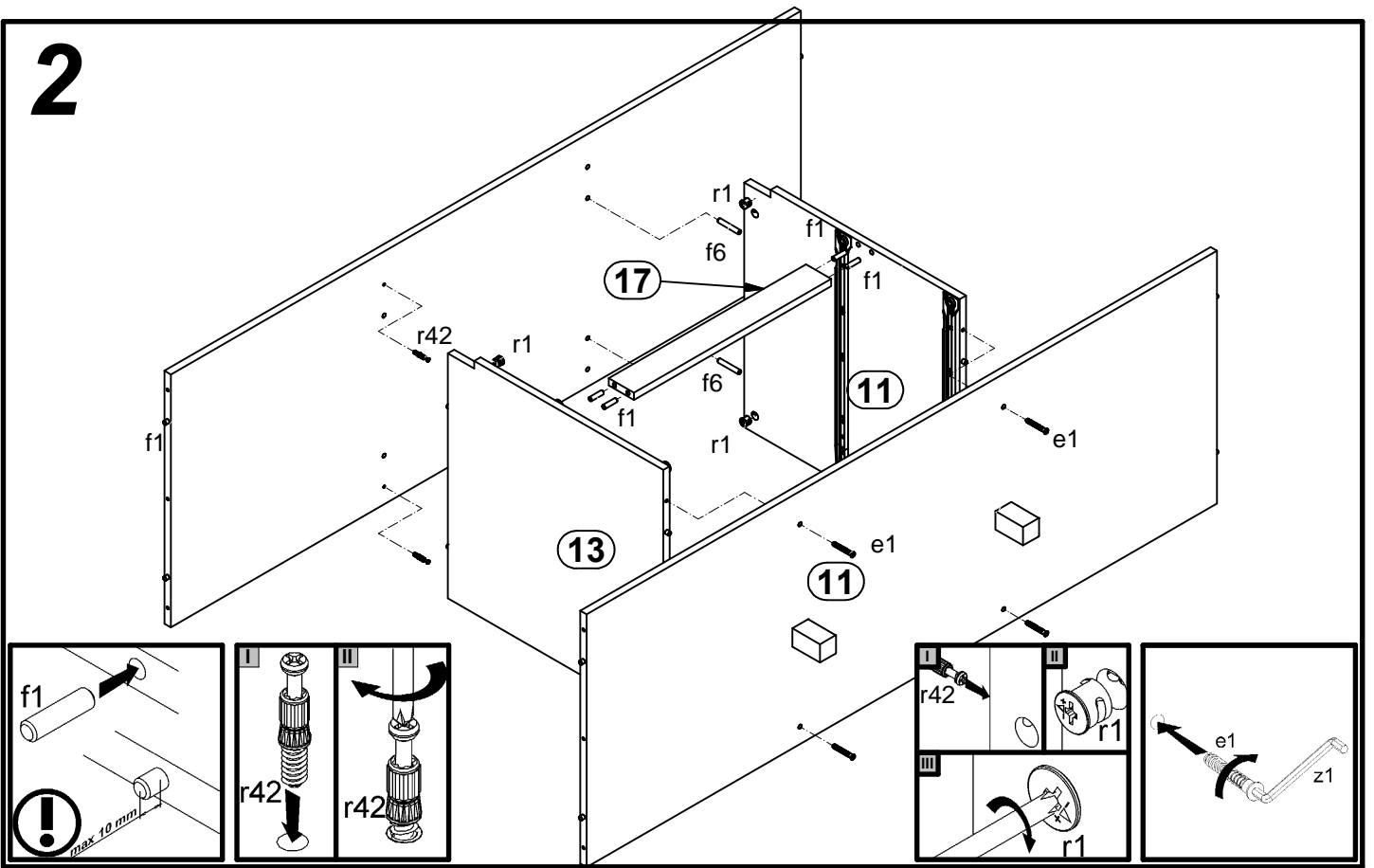


10x K18 Ø35 a172	3x K9 Ø35 a173	10x D24,5 b85	3x D5 b42	12x φ5x17 mm d1	18x φ7x50 mm e1	12x φ5x9 mm e19	1x z1	12x φ6x13 mm e3
32x φ8x30 mm f1	2x Ø8x50 mm f6	4x Ø6x30 mm f9	8x φ6,5x40 mm f25	4x k1	125 l1	2x n1	2x φ3,5x13 mm p1	26x φ3,5x15 mm p51
14x φ1,5x12mm #16 r1	8x φ12x10,5mm #12 r15	18x r42	2x r10	2x 500 mm w26ICL	2x 500 mm w26ICR	2x 500 mm w26IDL	2x 500 mm w26IDR	12x s1
12x ø16 s2				2x Ø10x50 mm f35	2x 86x21x15/1,5 n142	2x Ø5x60 mm p17	4x Ø3,5x16 mm p38	

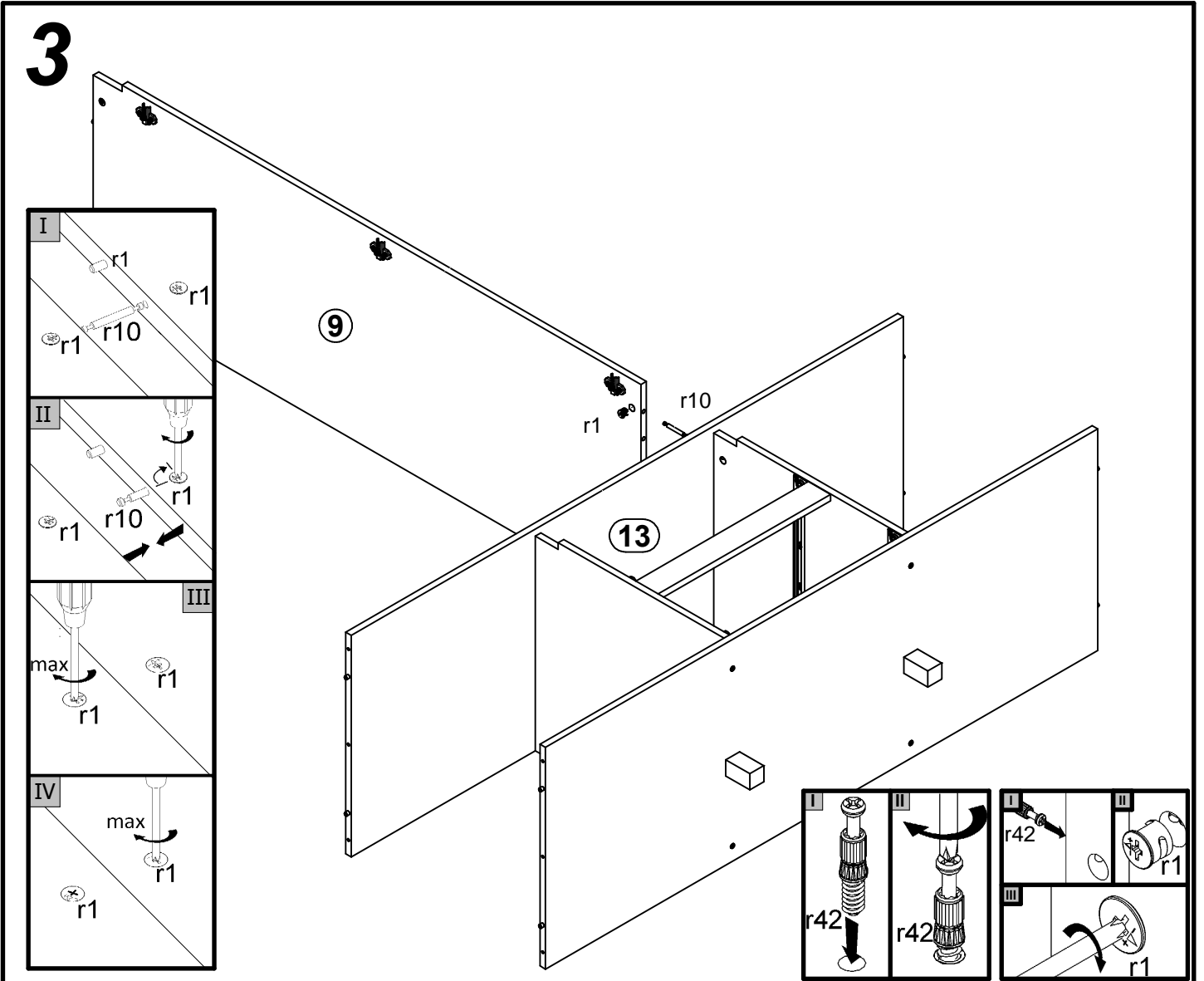
1



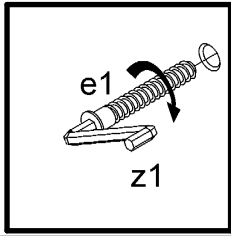
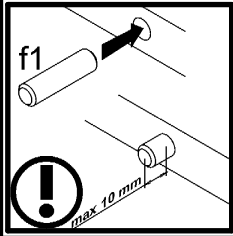
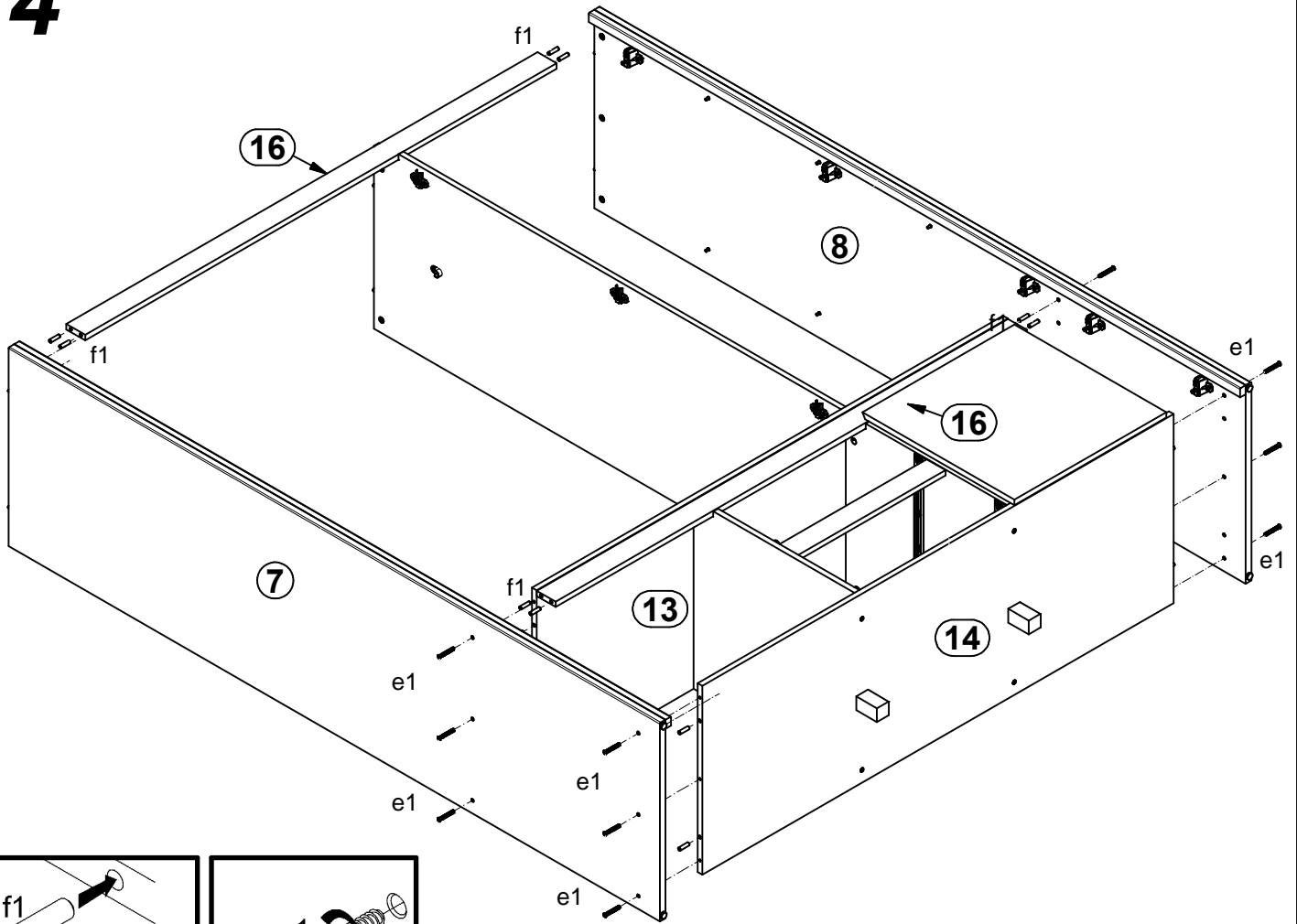
2



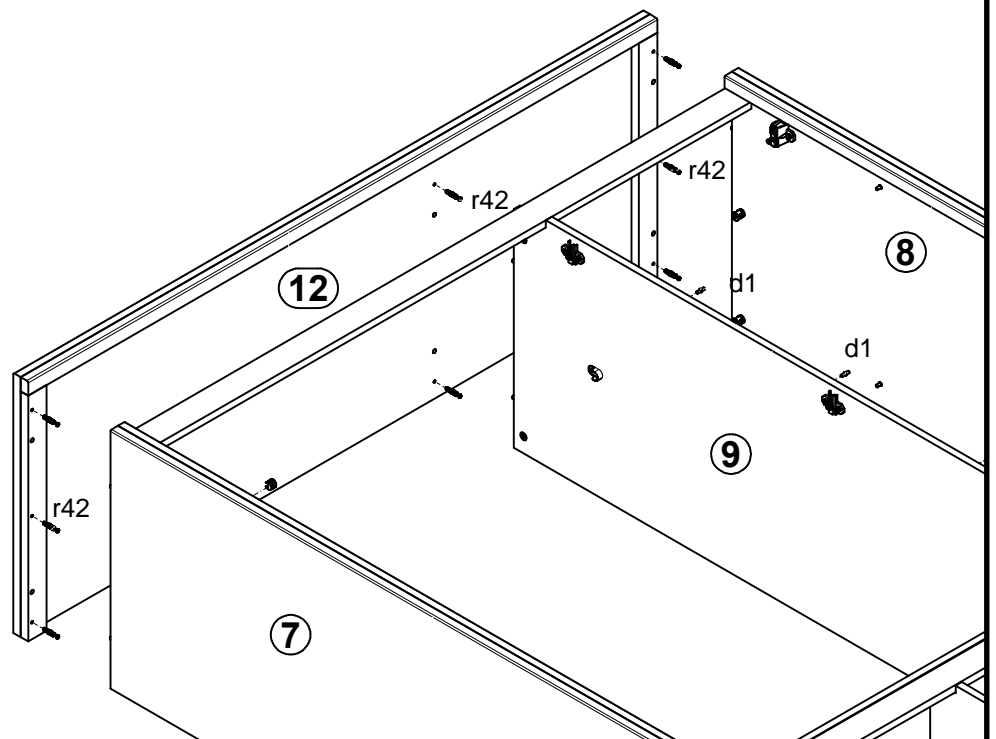
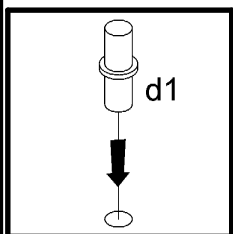
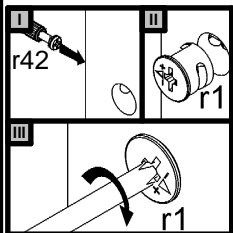
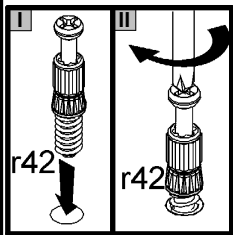
3



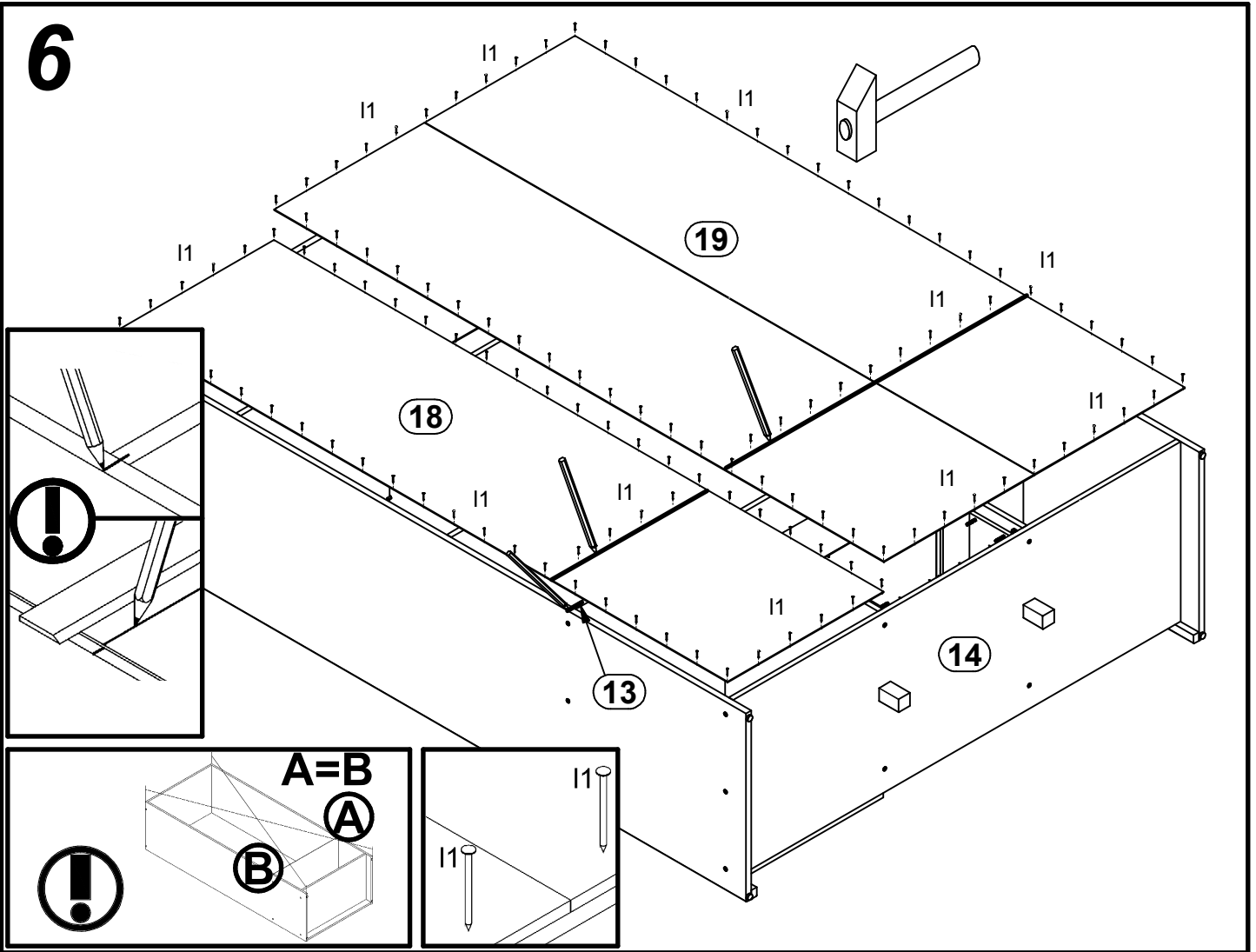
4



5



6



7

