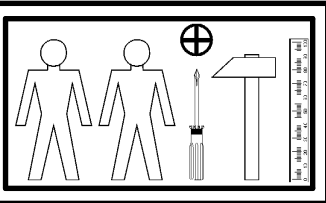
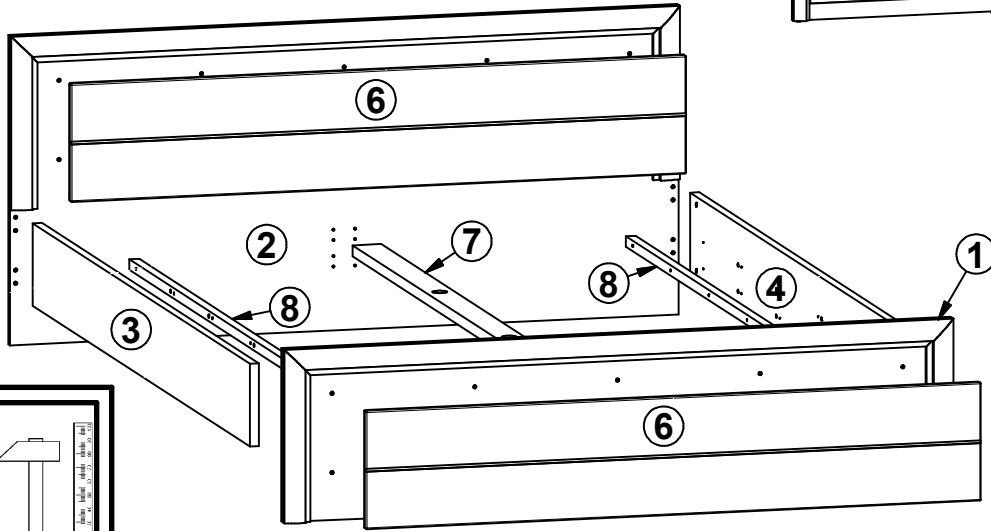
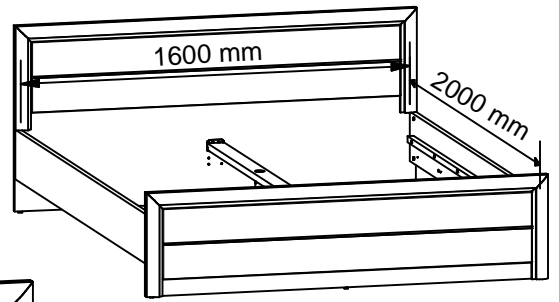


**A**

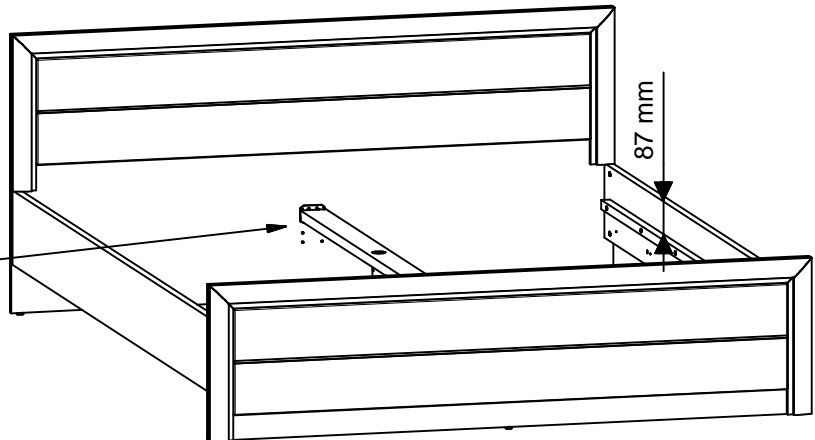
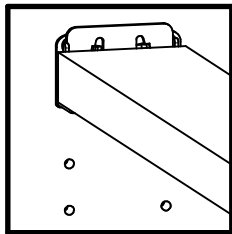
# KOEN II

**S337-LOZ/160**

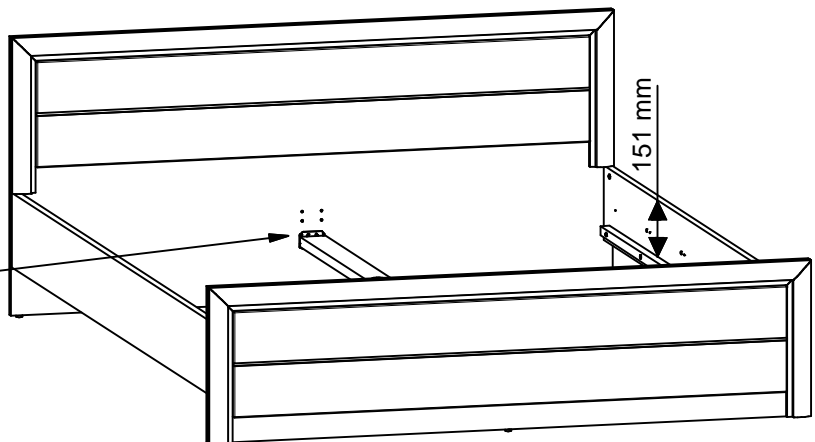
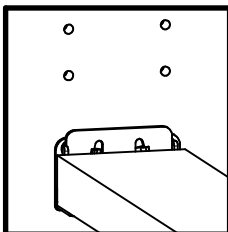
A	B	C	D	
1	S337-0014	1650	420	1/2
2	S337-0015	1650	750	1/2
3	S337-4015	2000	200	2/2
4	S337-4016	2000	200	2/2
6	S337-7015	1518	286	1/2
7	ZZ1-745	1983	70	2/2
8	ZZ1-747	1880	25	2/2



**§14 A**

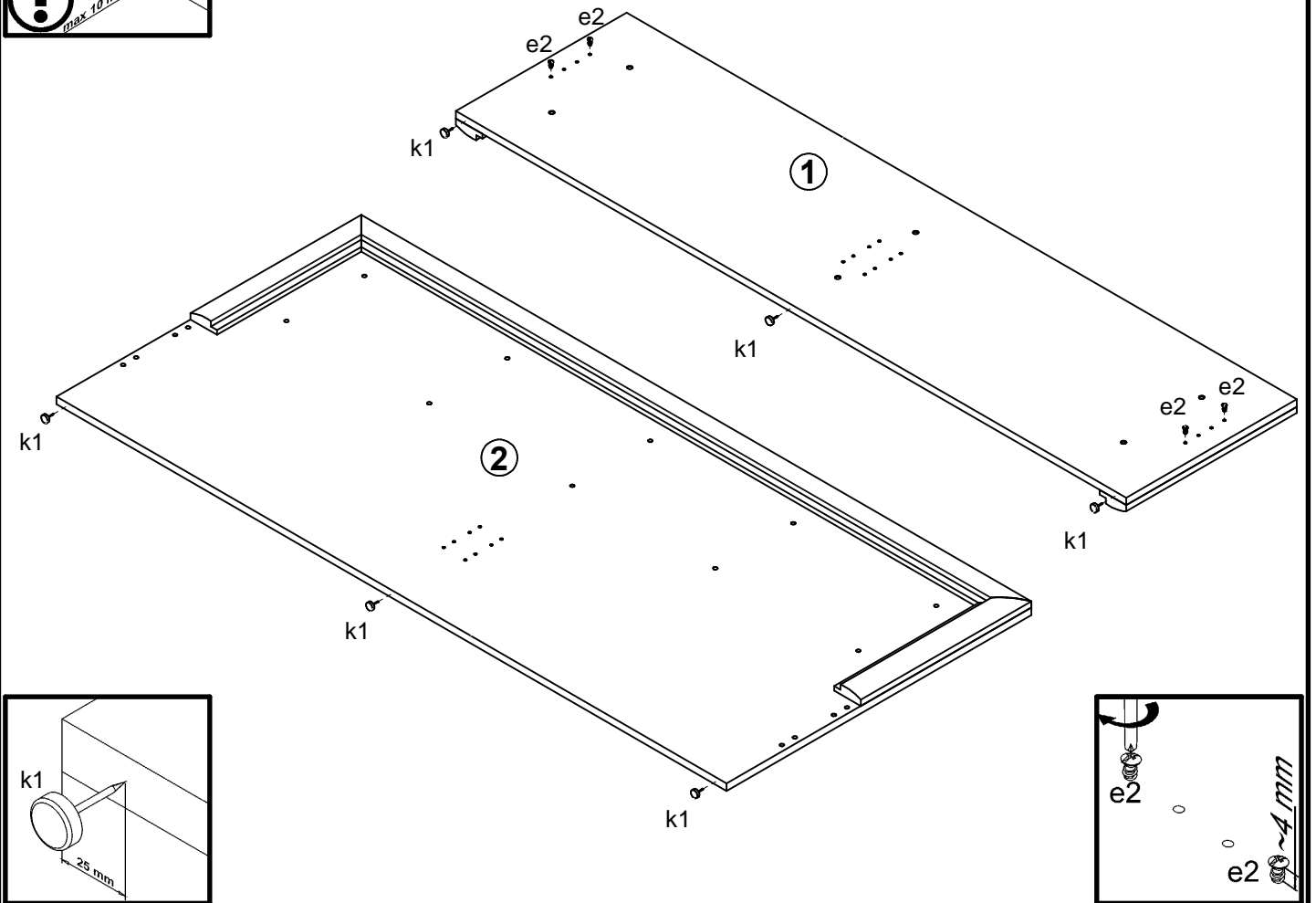
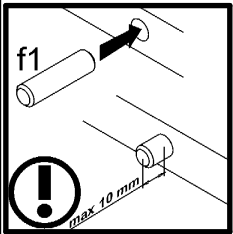
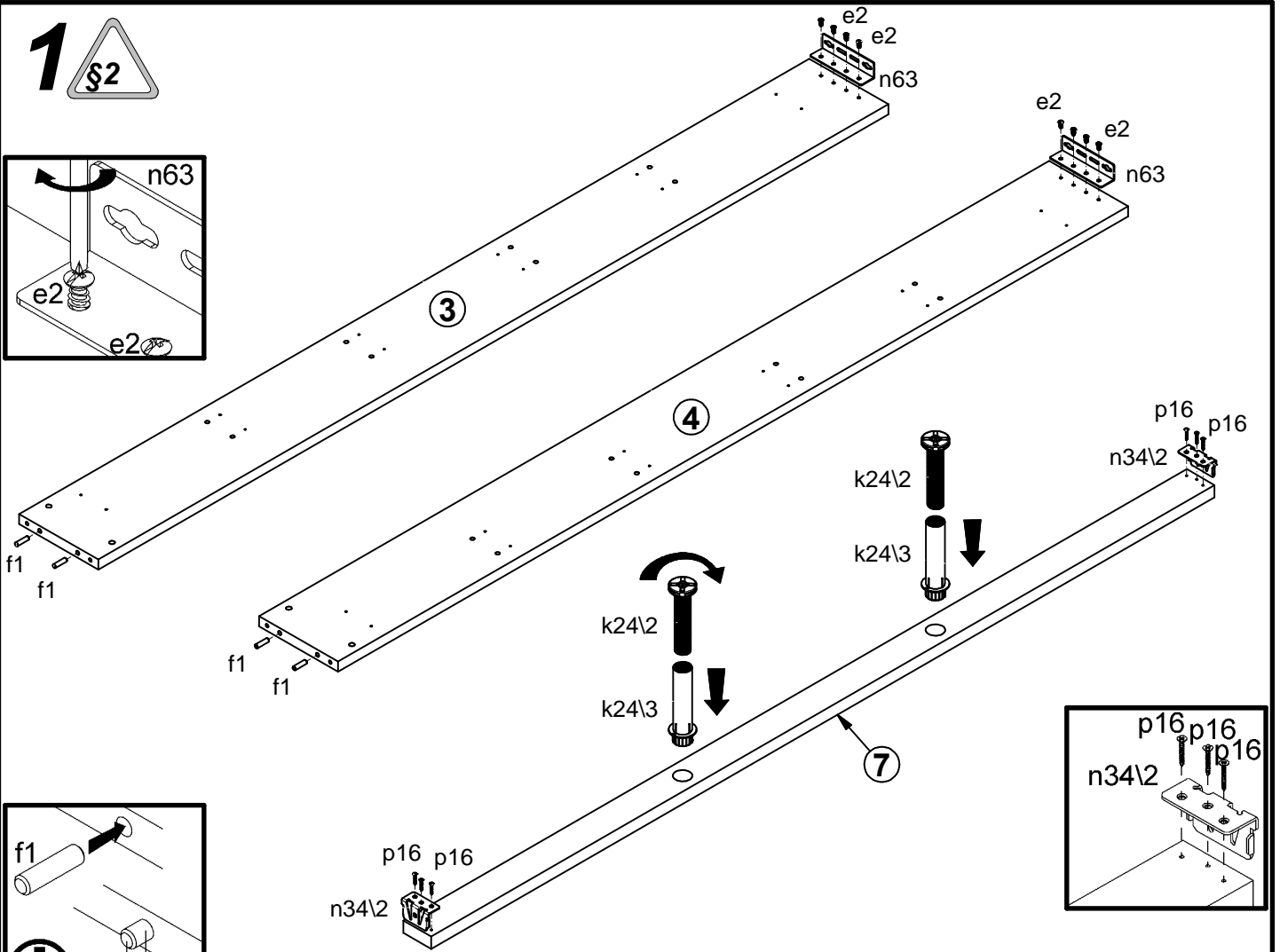
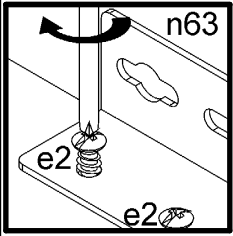


**§14 B**

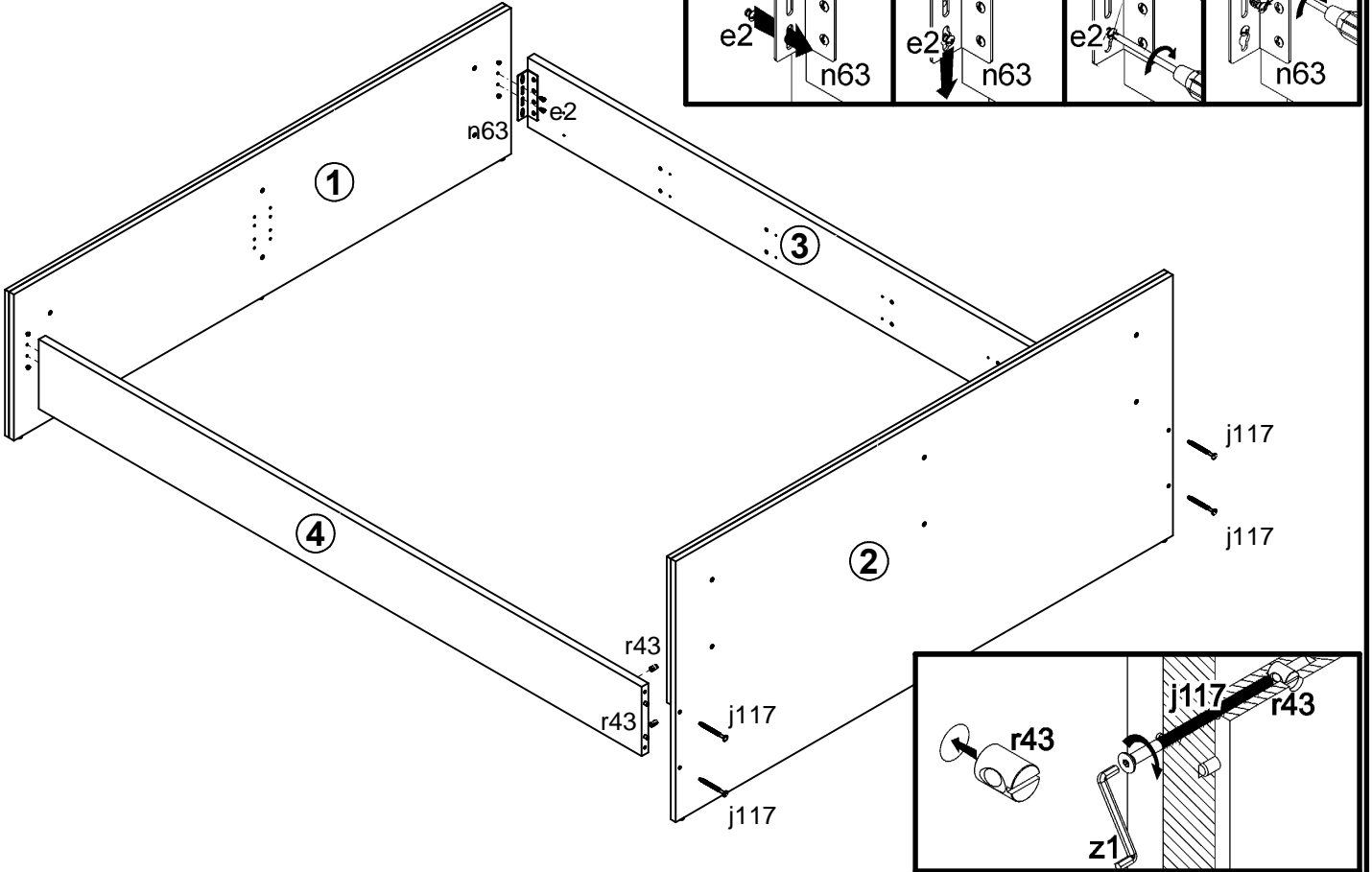
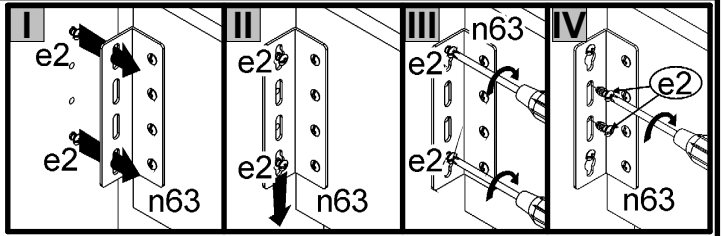


16x Ø6.3x13 mm e2	8x Ø6x13 mm e3	12x Ø7x28 mm e22	12x Ø8x30 mm f1	8x Ø8x20 mm f13	4x M6x84 mm j117	6x k1	2x k24 2	2x k24 3
2x n341	2x n342	2x 130x34x34/2 mm n63	6x Ø4x35 mm p6	12x Ø4x40 mm p10	6x Ø3.5x25 mm p16	4x Ø10x16 mm r43	1x z1	

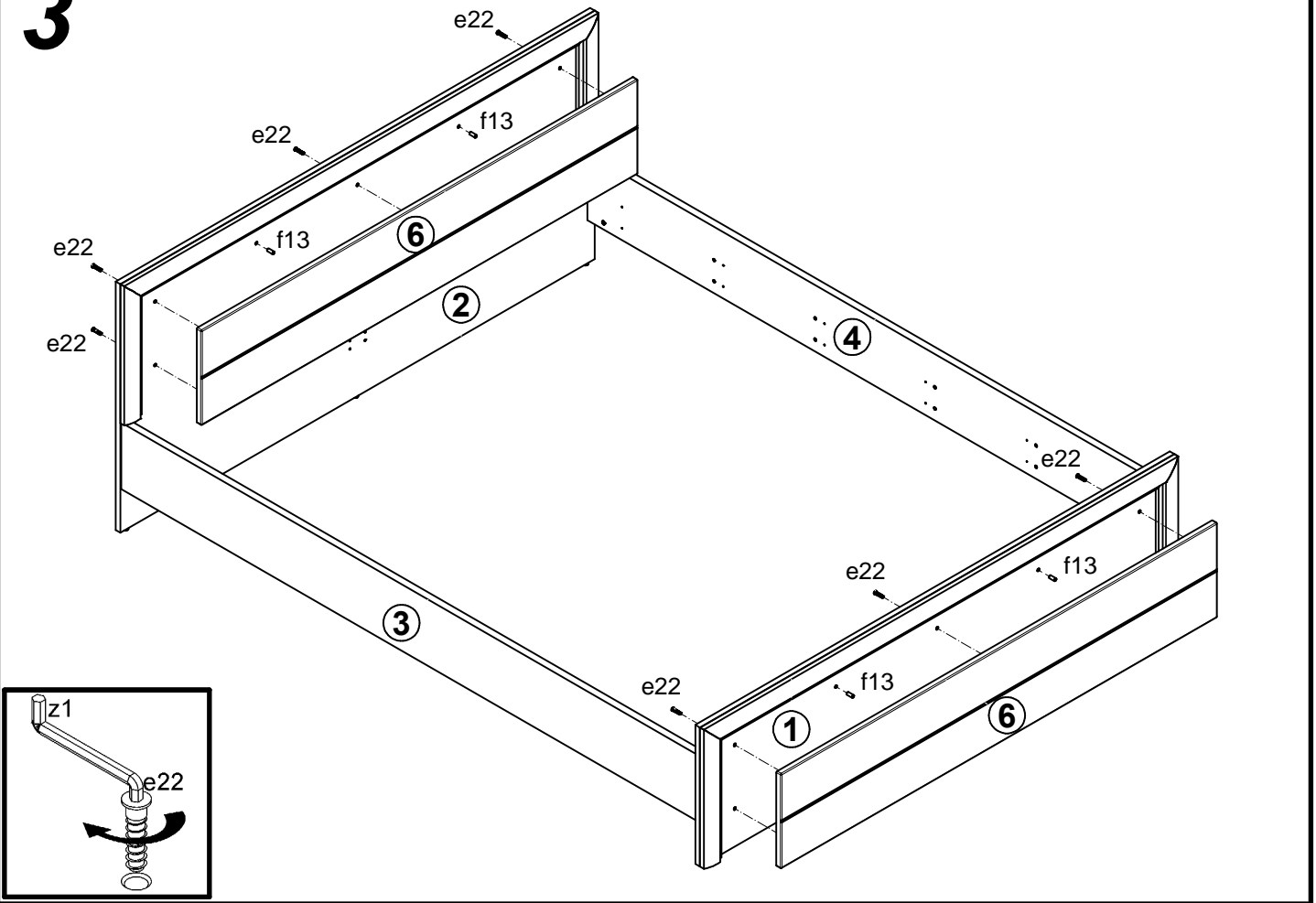
1 



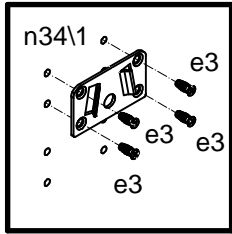
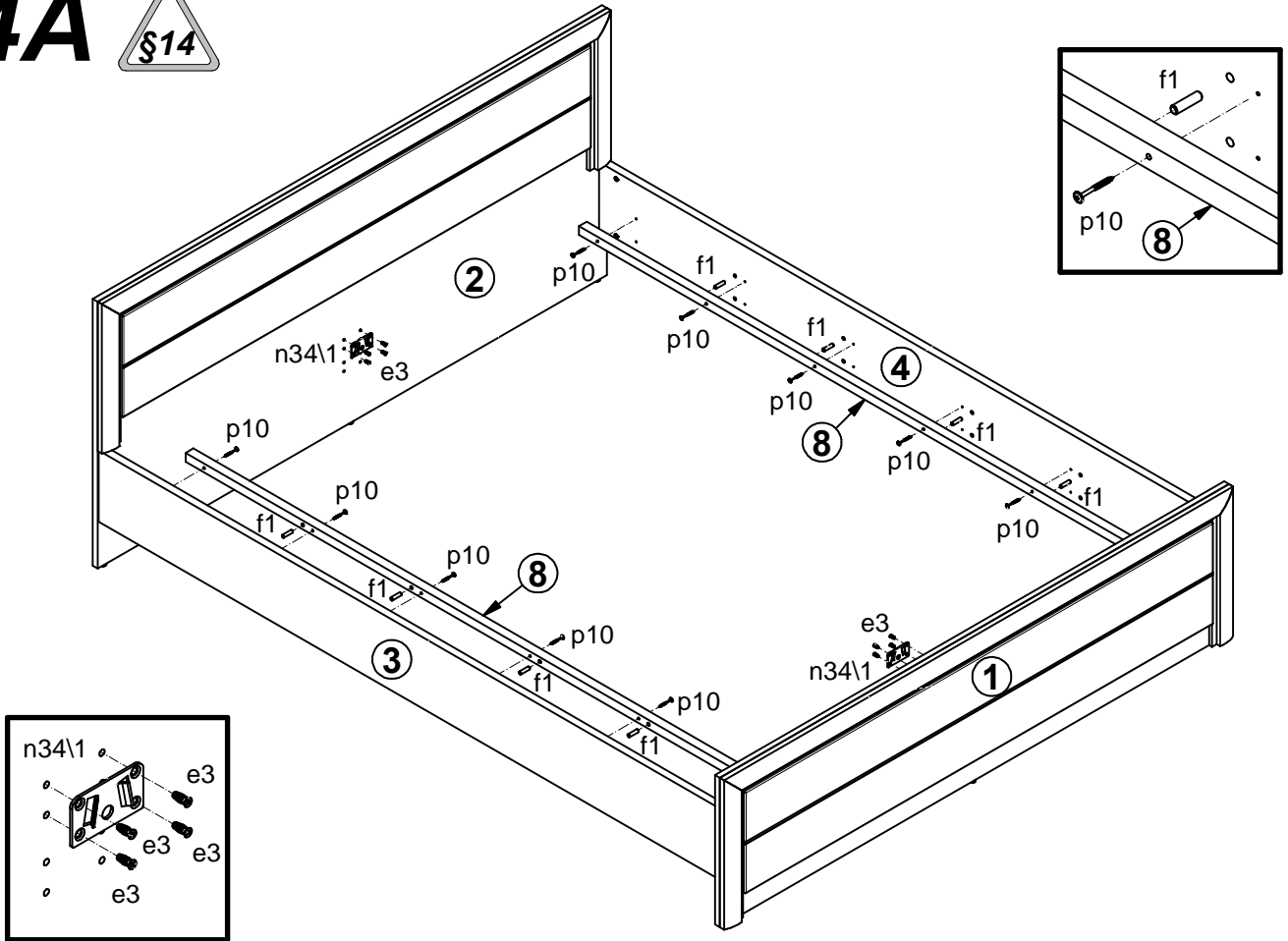
# 2



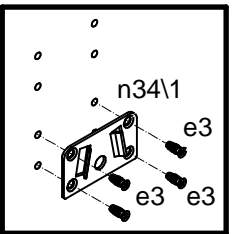
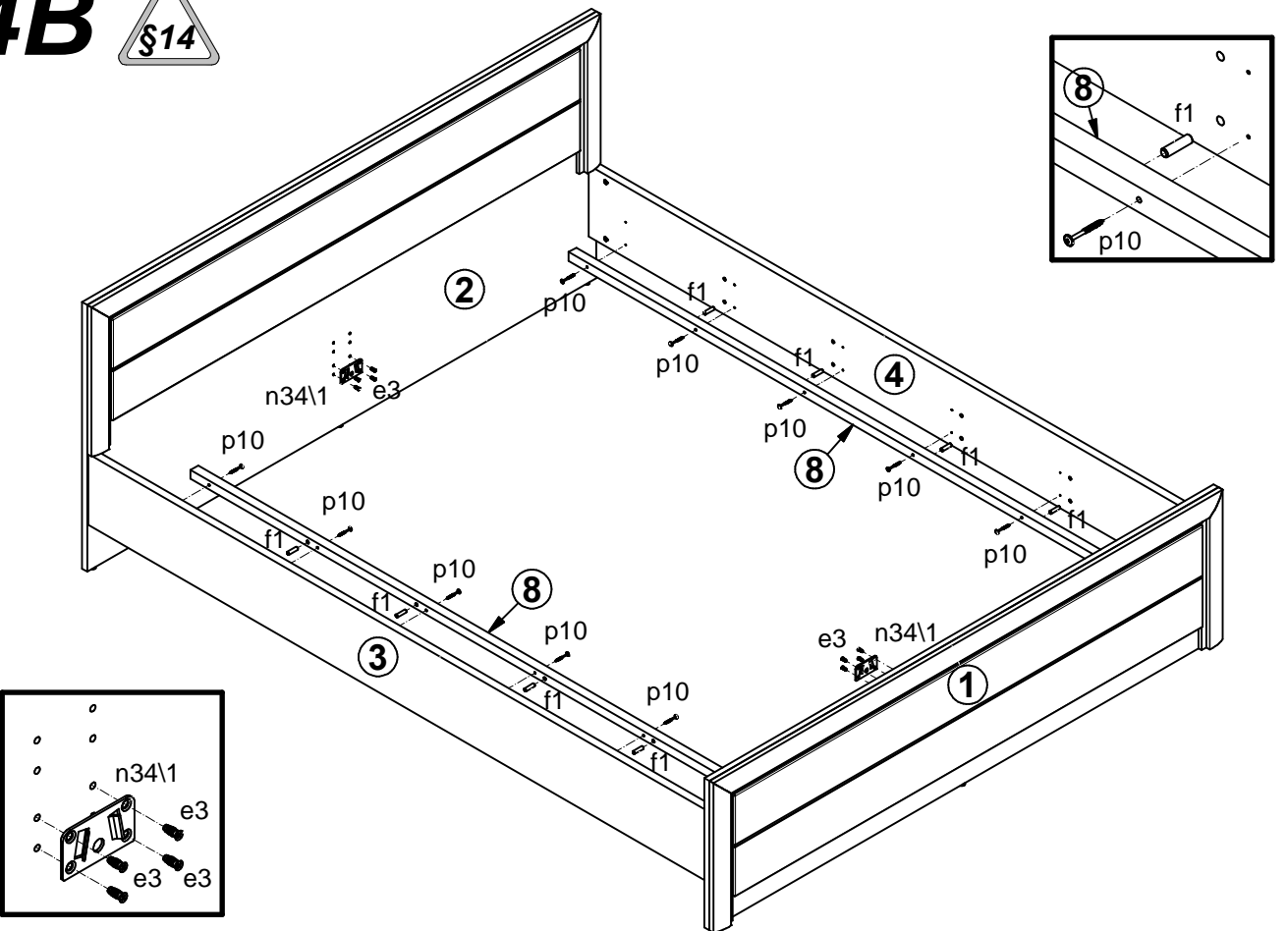
# 3



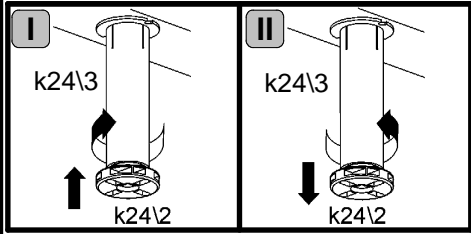
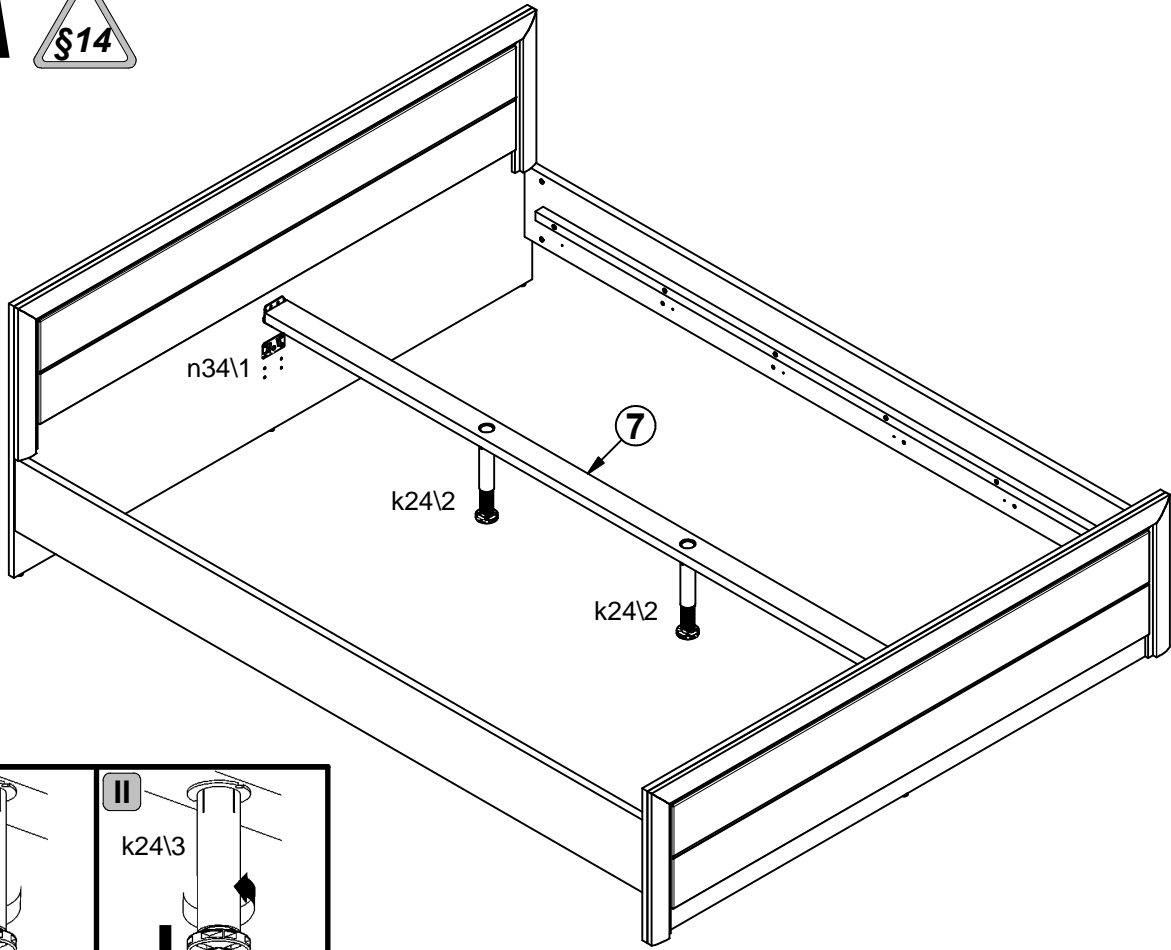
# 4A



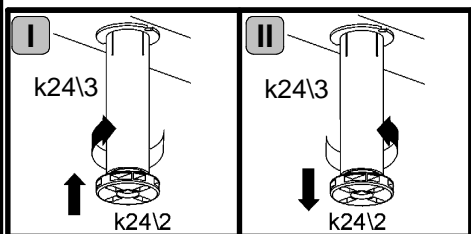
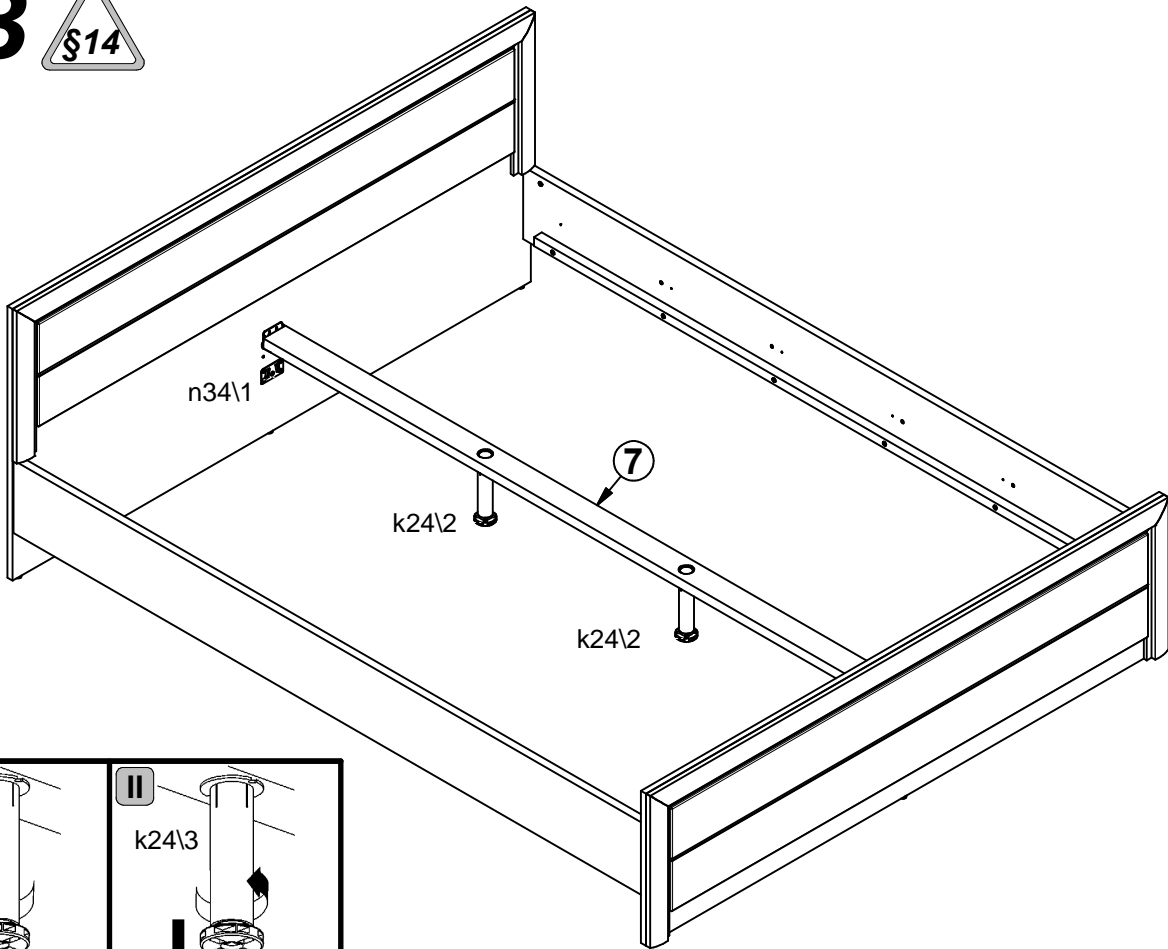
# 4B



# 5A



# 5B



# 6

