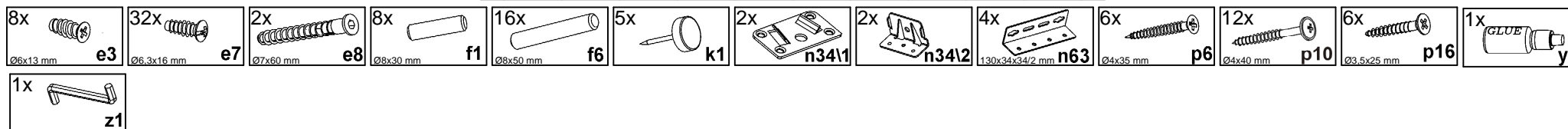
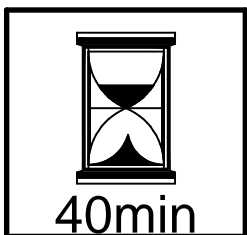
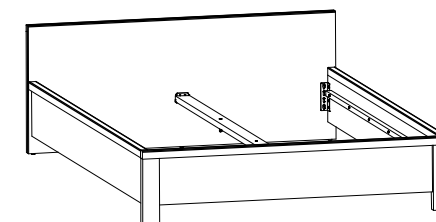
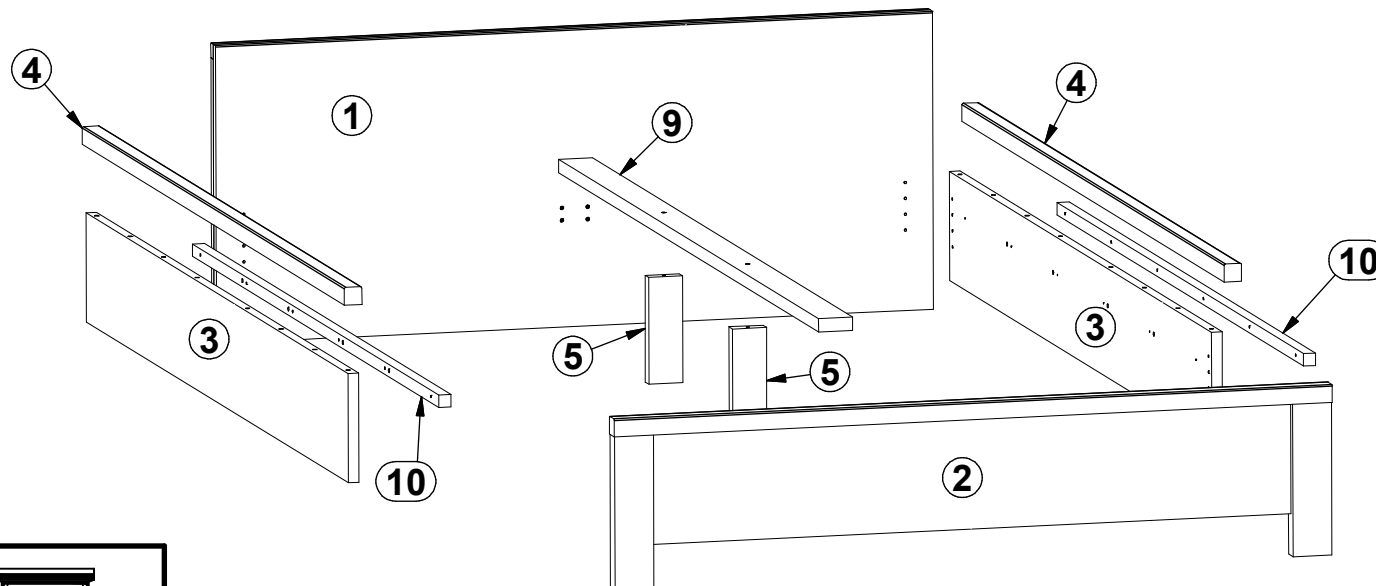
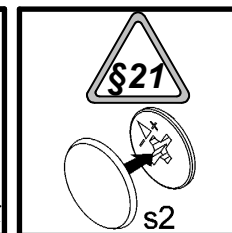
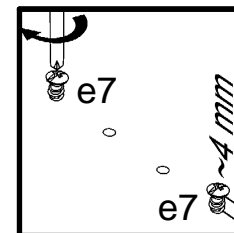
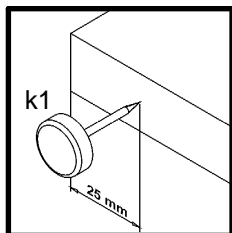
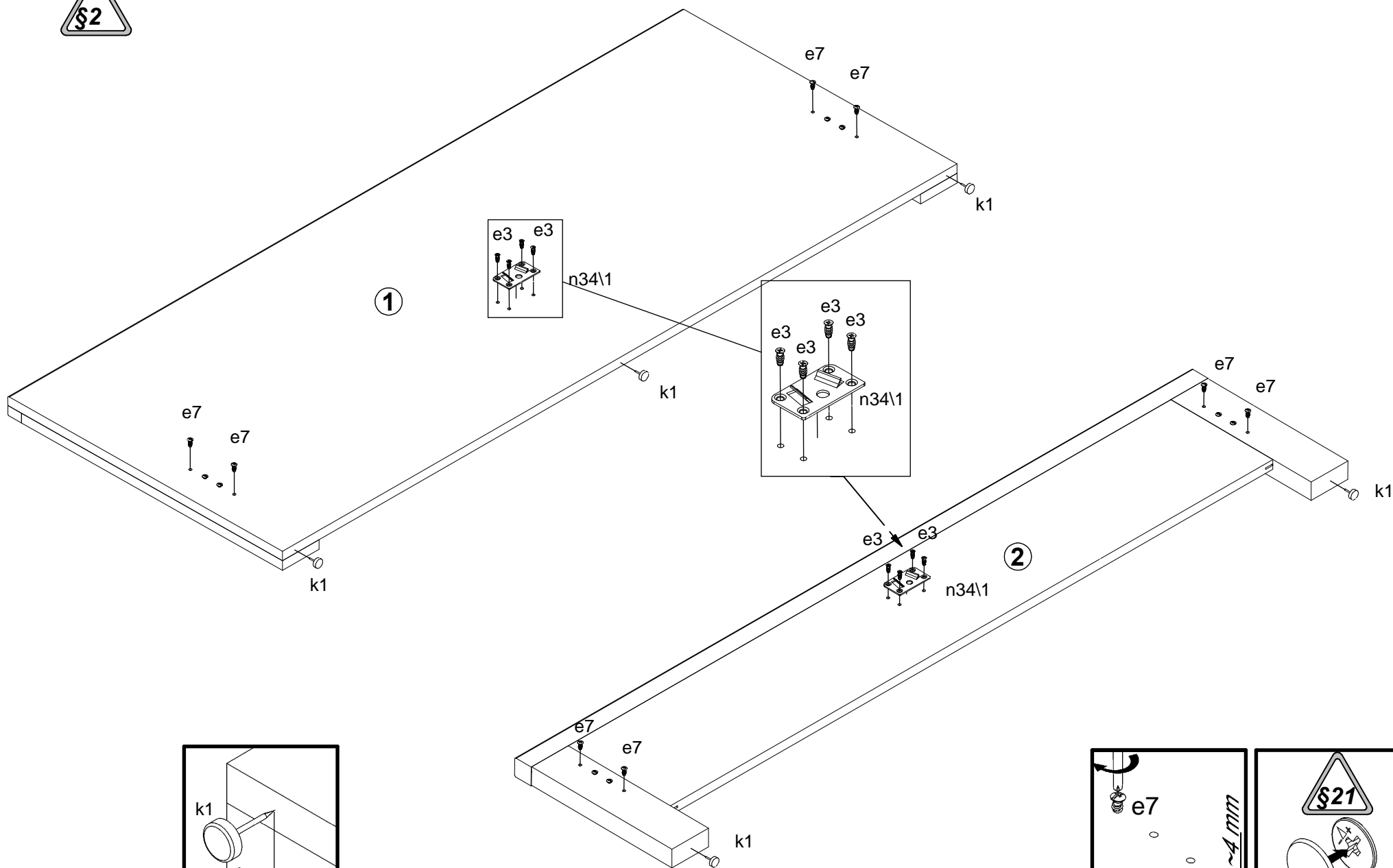
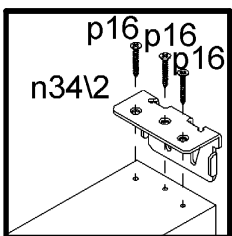
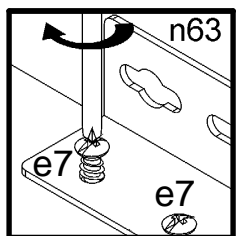
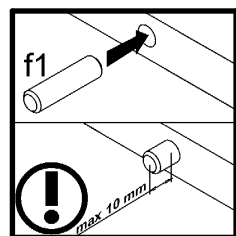
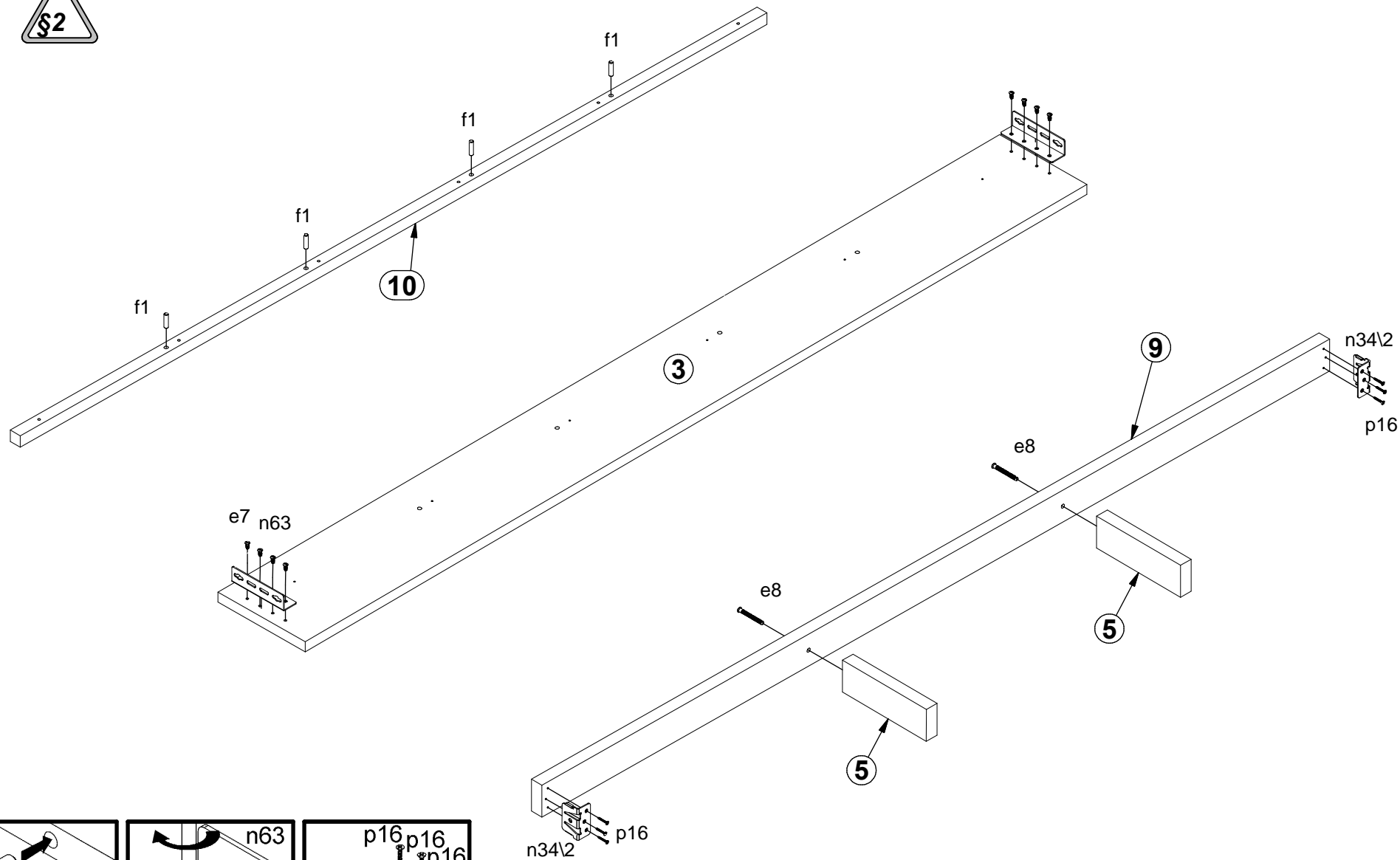


A	B	C (mm)		D
1	S508-0057	1476,	600	2/3
2	S508-0058	343	1478	1/3
3	S508-1029	2000	220	3/3
4	S508-5052	2000	36	3/3
5	ZZ1-414	215	70	3/3
9	ZZ1-719	1983	70	3/3
10	ZZ1-747	1880	25	3/3

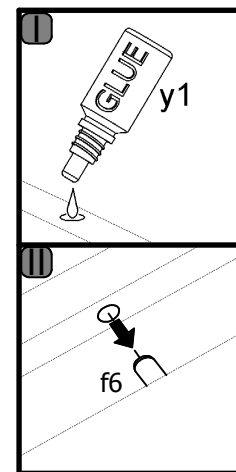
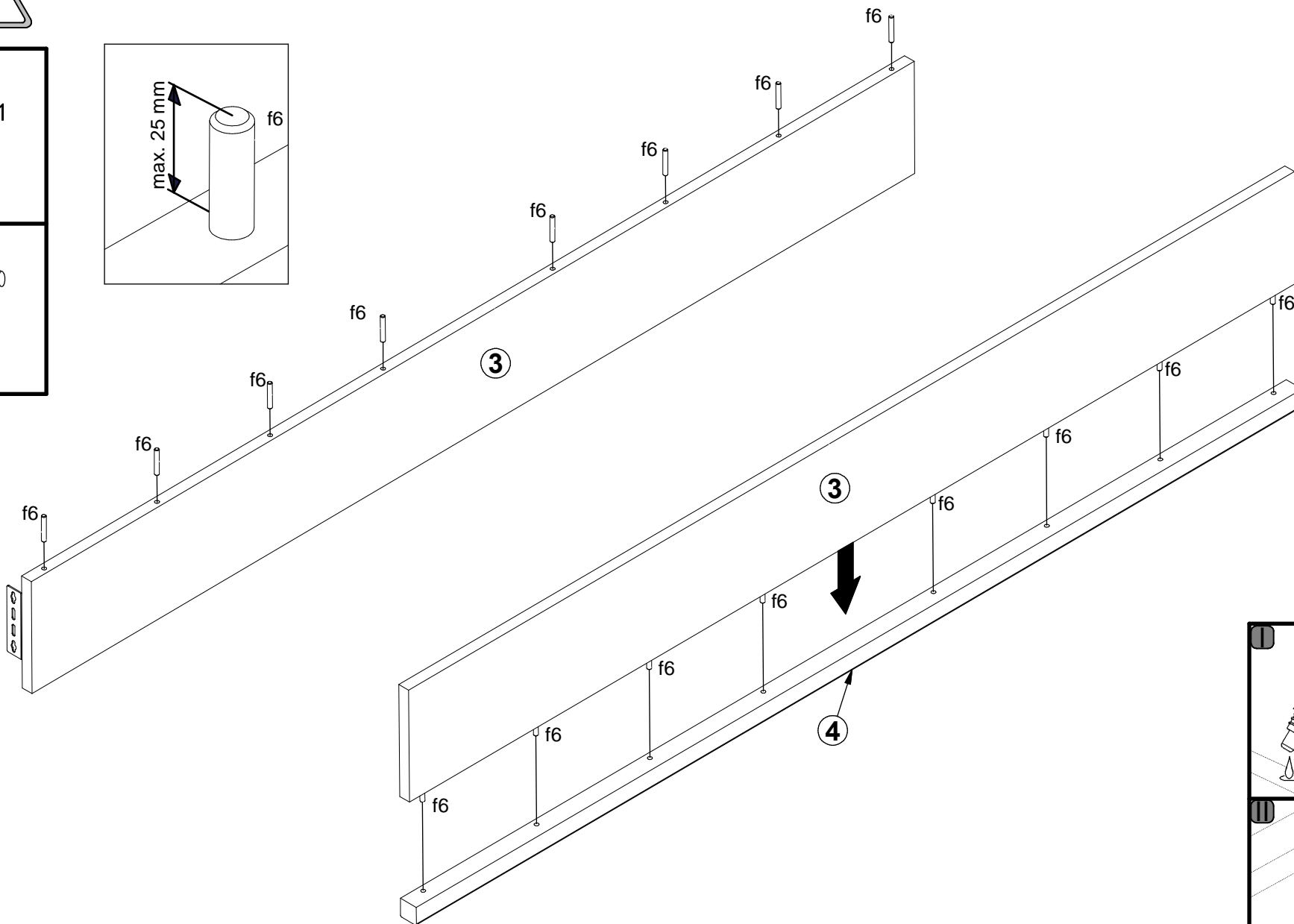
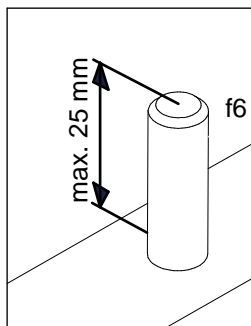
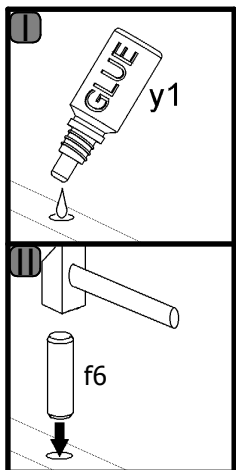




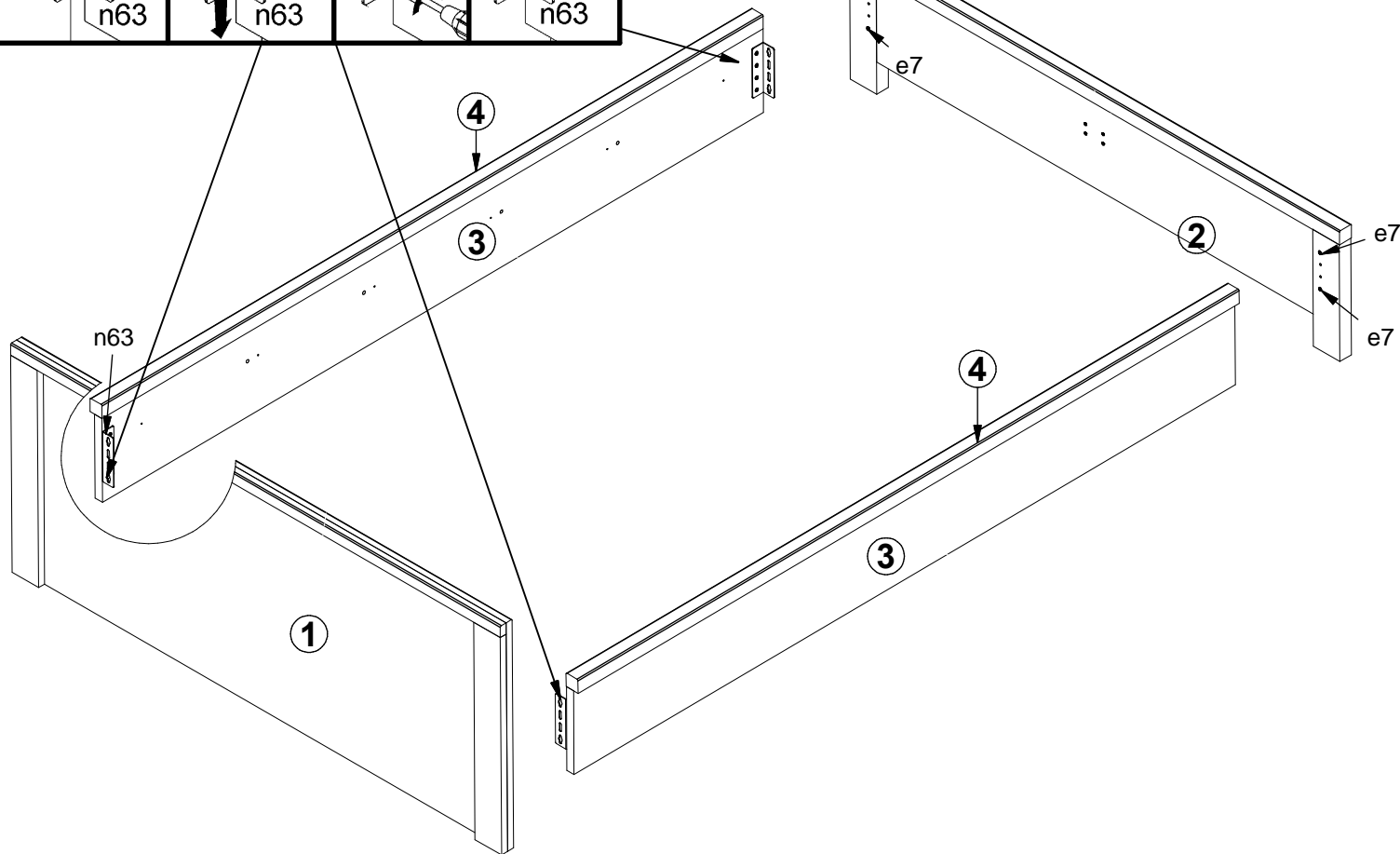
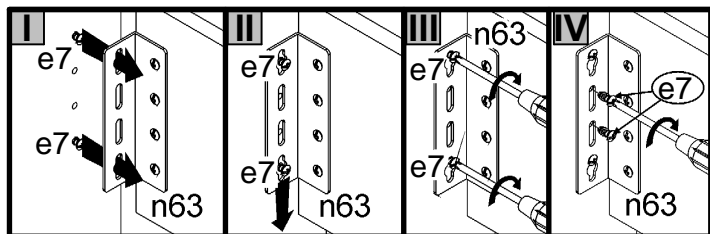
1 



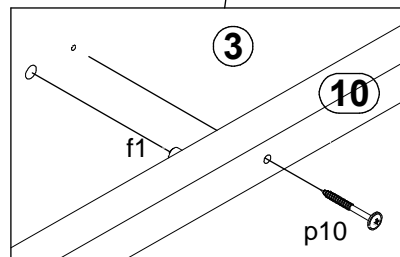
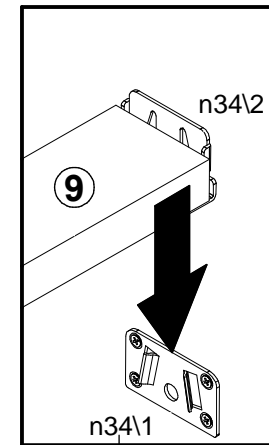
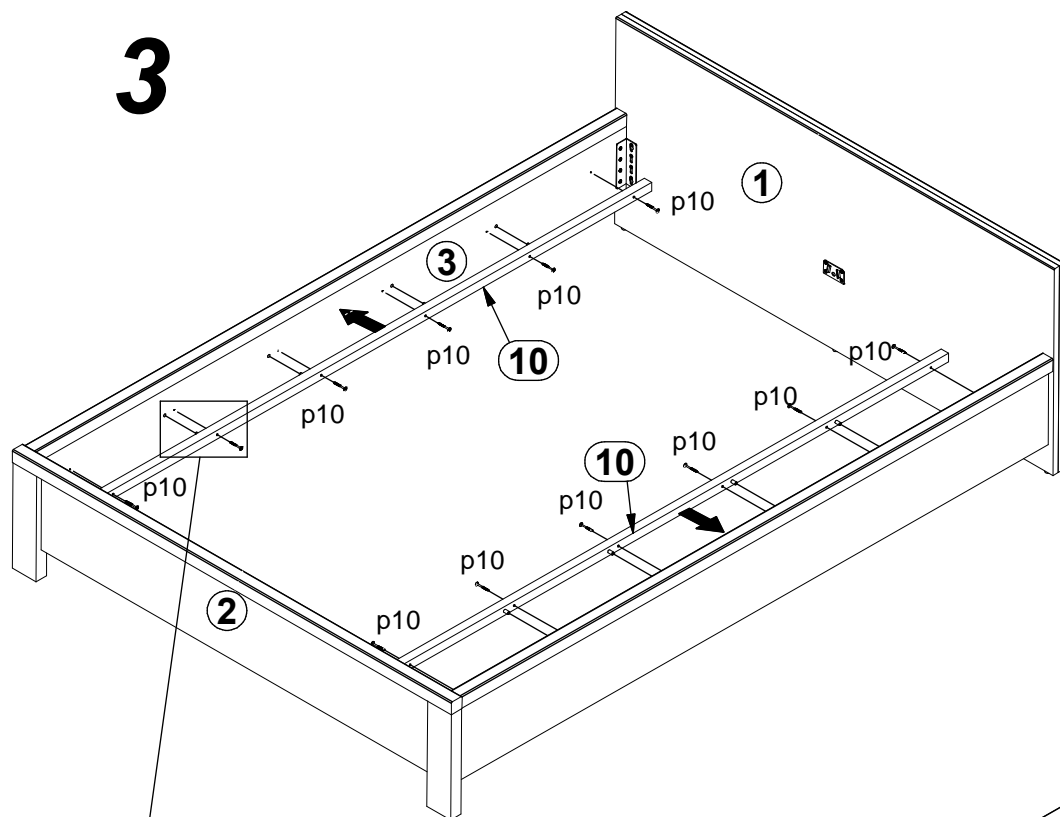
1



2 §6



3



4

