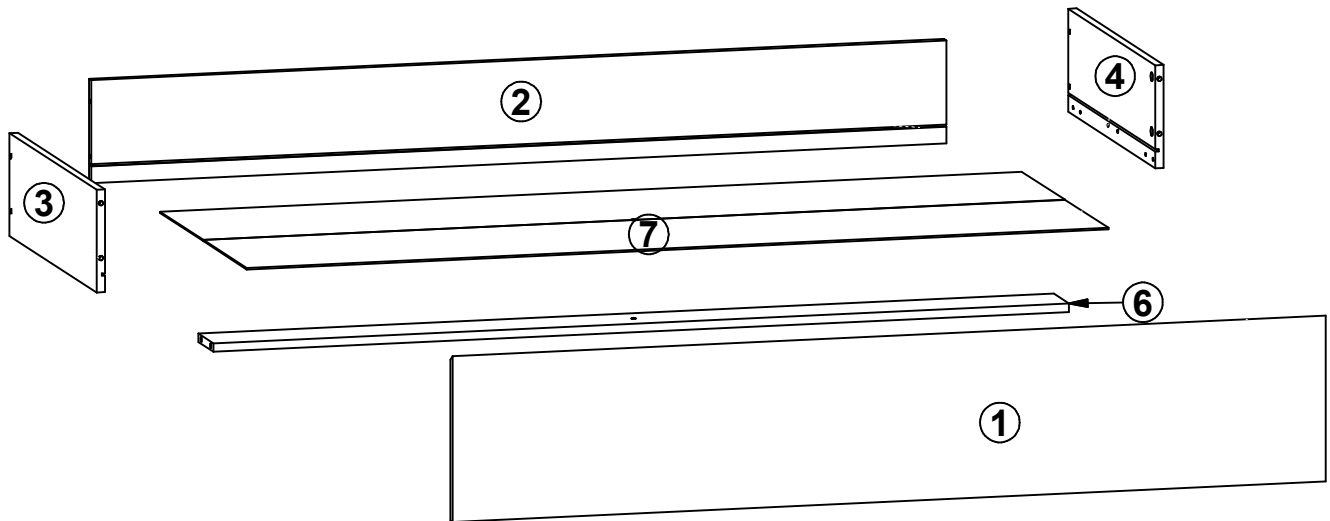
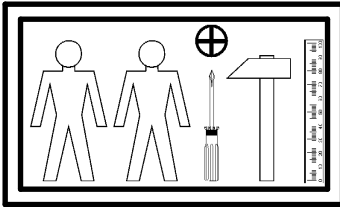
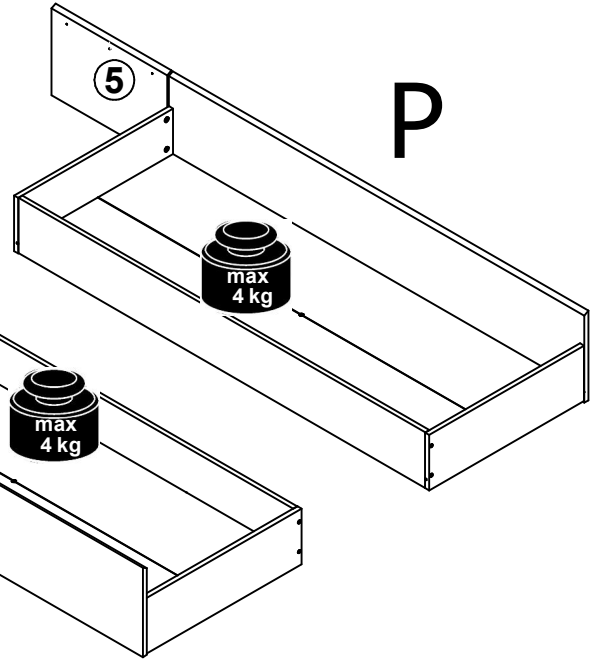
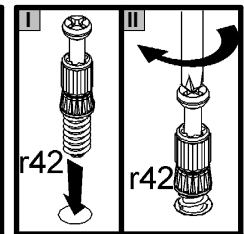
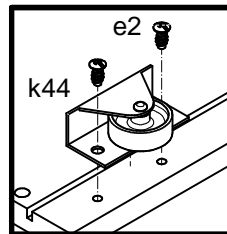
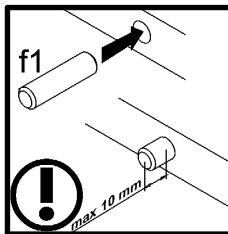
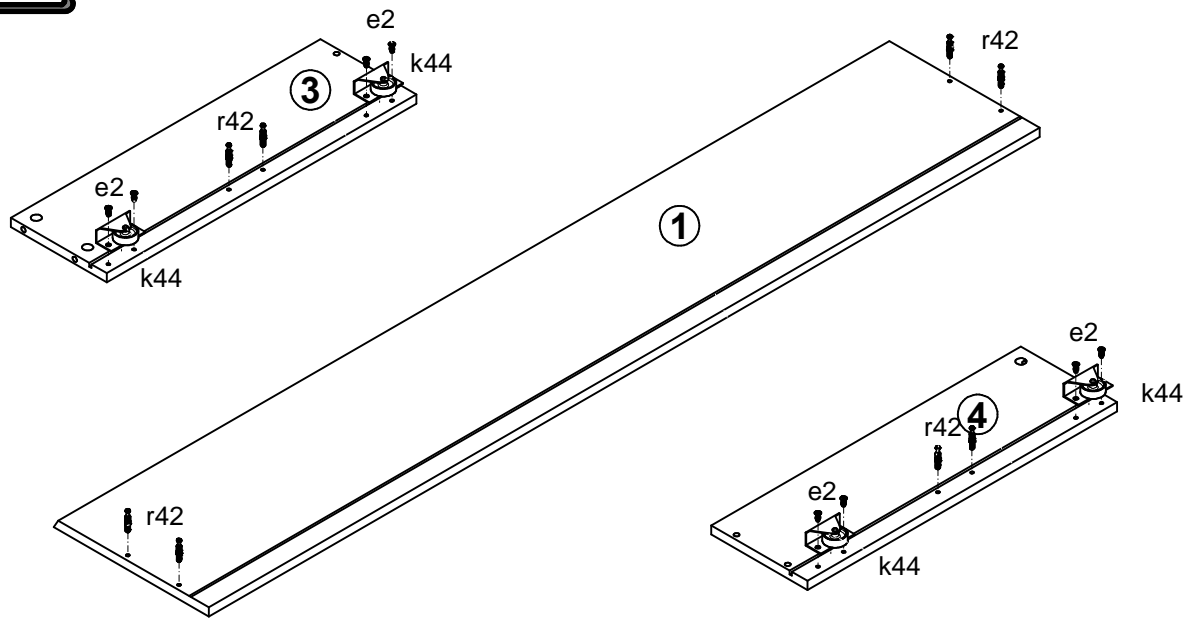


A	B	C	D
1	S508-0019	1556	290
2	S508-5353	1524	180
3	S508-5354	580	180
4	S508-5355	580	180
5	S508-7501	434	290
6	ZZ1-4010	1524	100
7	ZZ1-9309	1535	577

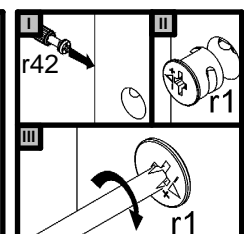
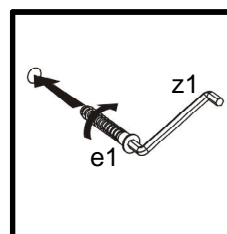
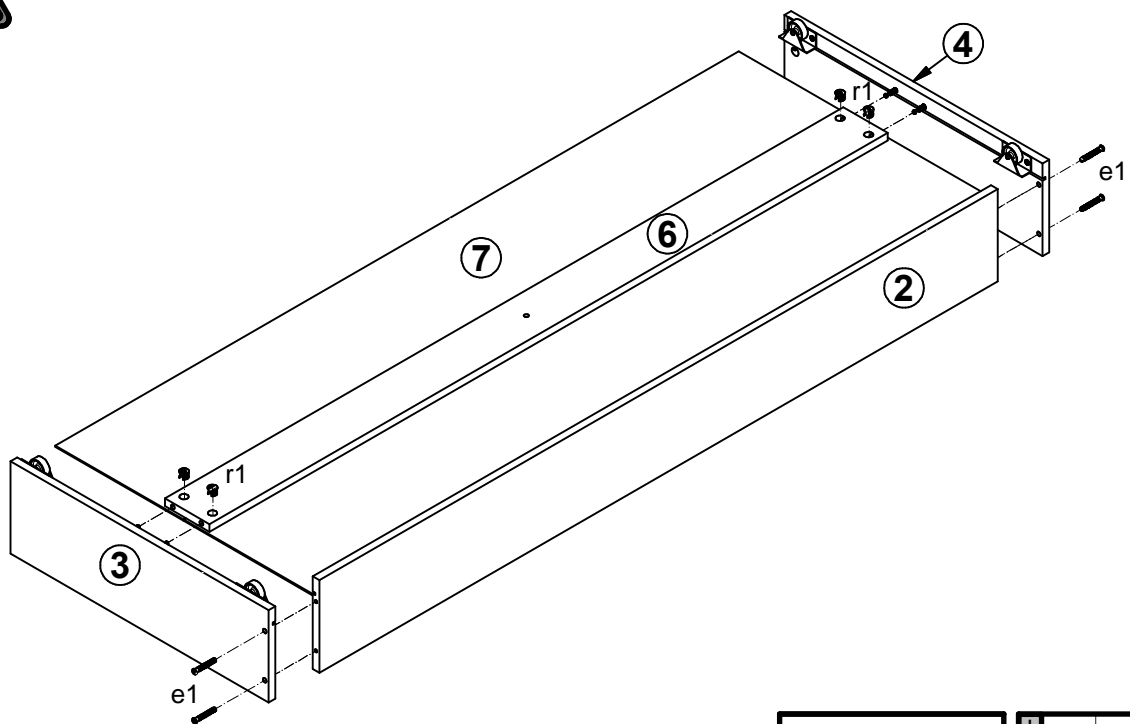


4x Ø7x50 mm e1	8x Ø6,3x13 mm e2	4x Ø35 mm k44	10x l2	8x Ø15x12 mm #16 r1	8x 20/11 r42	4x s1	4x Ø16 s2	1x 4 mm z1
3x Ø4x35 mm p6								

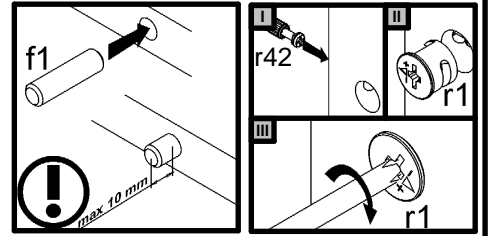
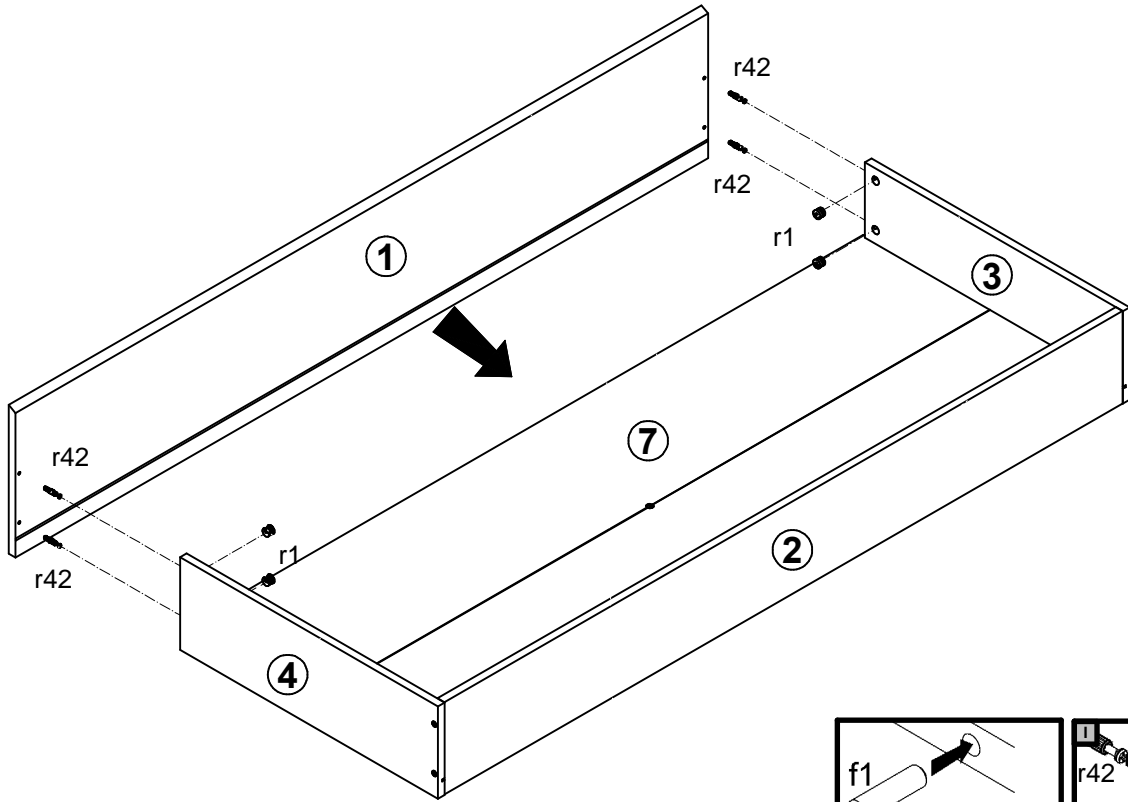
1



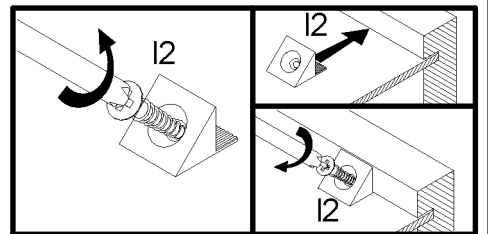
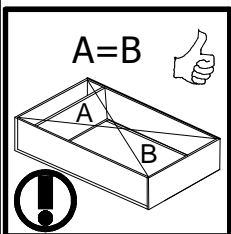
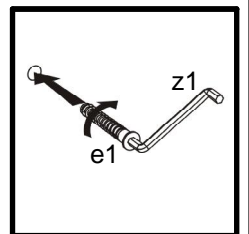
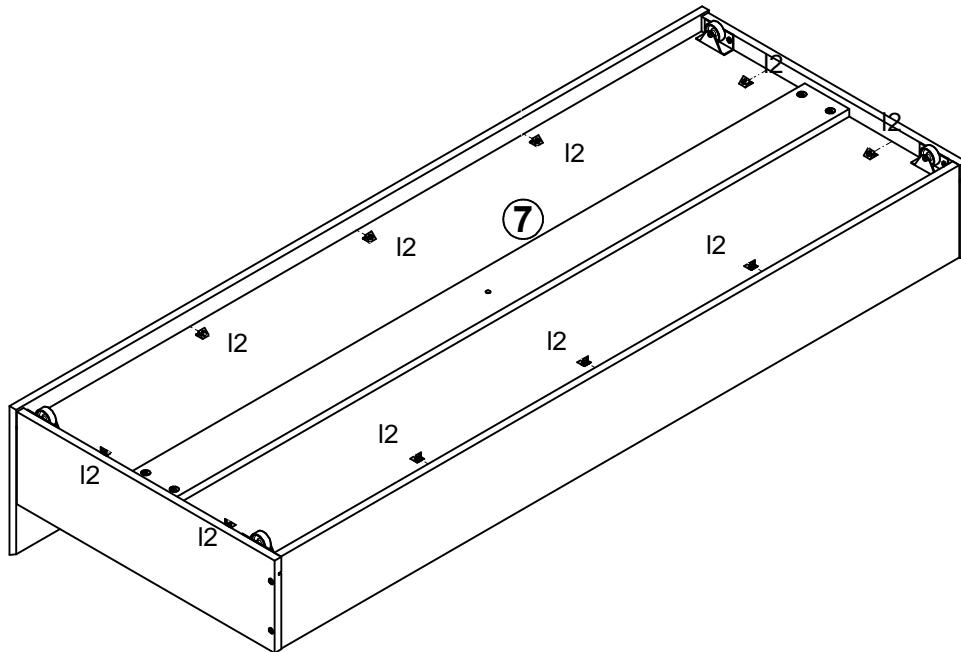
2



3



4



5

