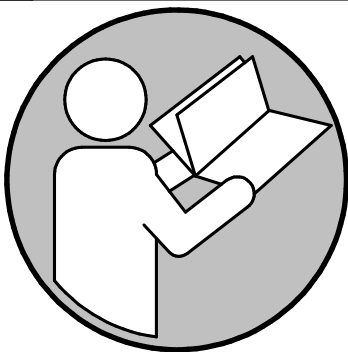


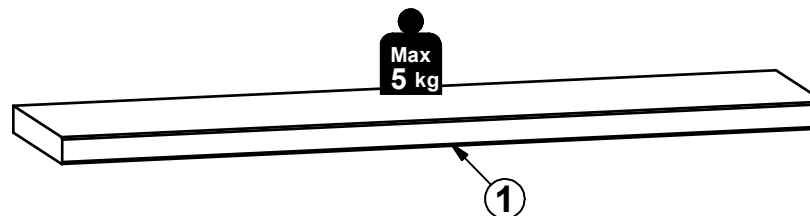
A

# S128-POL/100 S128-POL/140



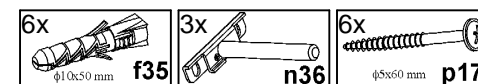
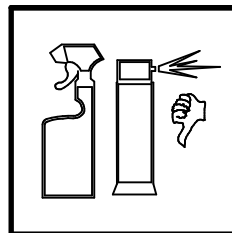
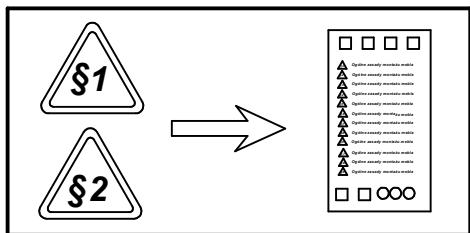
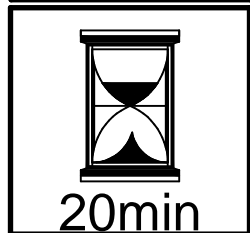
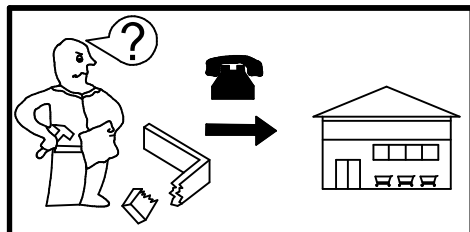
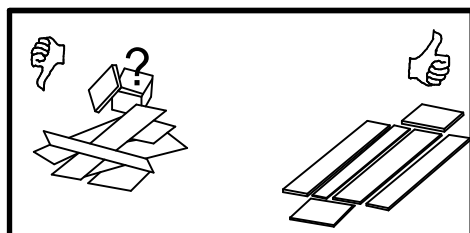
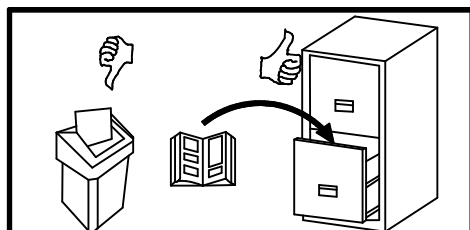
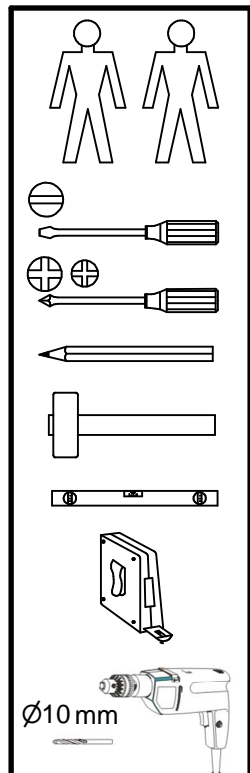
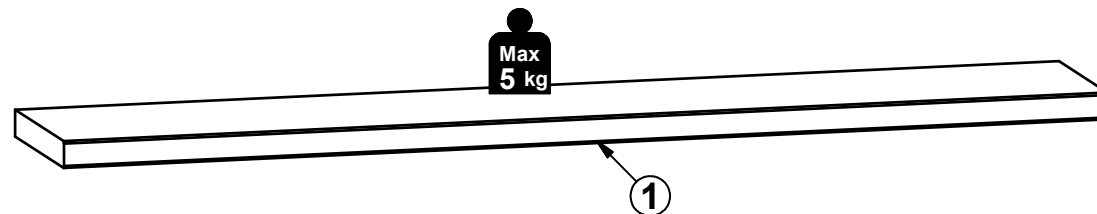
## S128-POL/100

A	B	C1	C2	C3	D
1	S508-3016	1046	250	36	1/1



## S128-POL/140

A	B	C1	C2	C3	D
1	S508-3017	1432	250	36	1/1

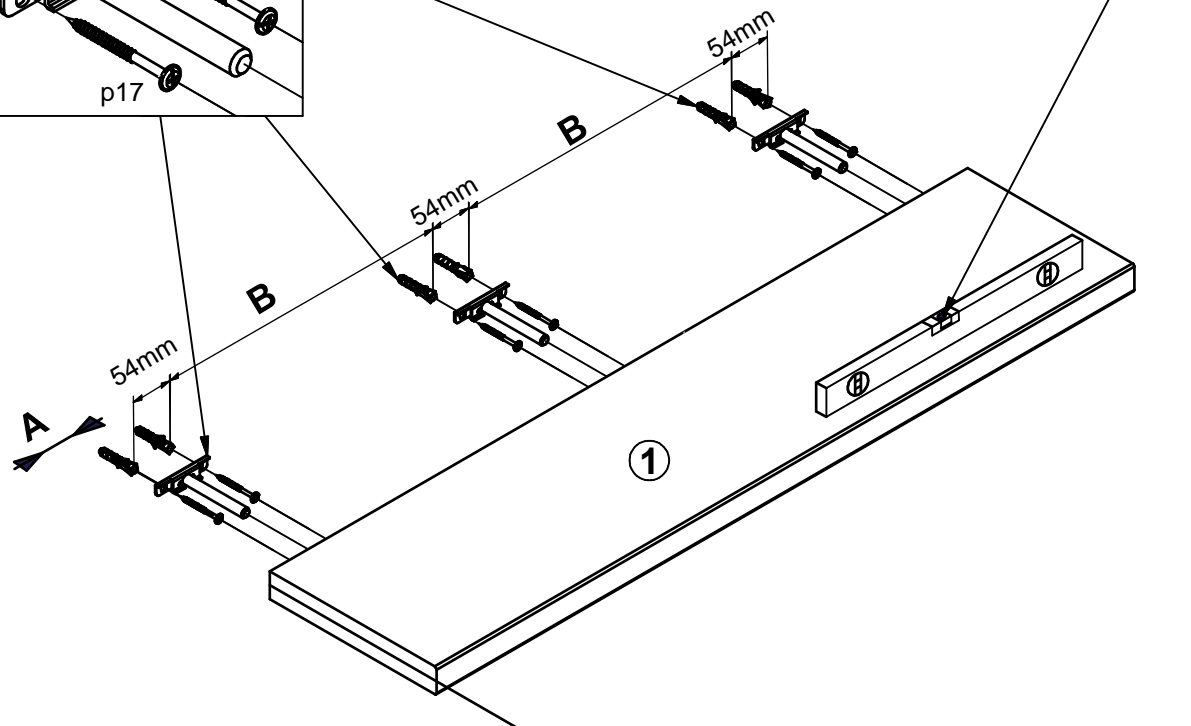
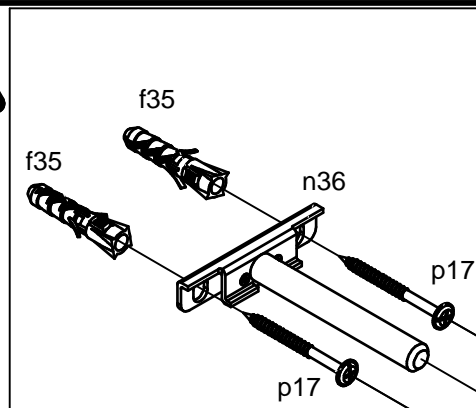


A

# S128-POL/100 S128-POL/140

2 / 2

1 



S128-POL/100 A=51mm B=394mm
S128-POL/140 A=114mm B=522mm

