

A	B	C1	C2	C3	D
1	M246-0001	809	596	16	1/1
2	M246-1001	986	354,	15	1/1
3	M246-1002	986	354,	15	1/1
4	M246-2001	600	354,	15	1/1
5	M246-2002	600	354,	15	1/1
6	M246-3001	568	324,	15	1/1
7	M246-9001	996,	579	2,5	1/1
8	S504-0005	200	596	16	1/1
9	S504-4033	569	68	15	1/1
10	S504-5702	569	68	16	1/1
11	WSP-9081	539	308	2,5	1/1
12	ZQ6-5043	529	97	15	1/1
13	ZQ6-517	300	110	12	1/1
14	ZQ6-518	300	110	12	1/1

2x  a102	2x  b59	8x  d1 Ø5x17 mm
2x  d41/2	4x  e1 Ø7x50 mm	8x  e3 Ø6x13 mm
8x  f1 Ø8x30 mm	4x  f25 Ø6.5x40 mm	4x  k27
8x  l2	1x  p25 Ø3.5x16 mm	1x  p35 Ø3.5x10 mm
12x  p38 Ø3.5x16 mm	4x  p51 Ø3.5x15 mm	2x  p55 Ø2.9x16 mm
4x  r1 Ø15x12 mm #16	4x  r15 Ø12x10.5 mm #12	8x  r42
2x  s71 Ø35x62x40x10	1x  t25 300 mm	1x  w125/P 300mm
1x  w125/P 300mm	1x  z1	

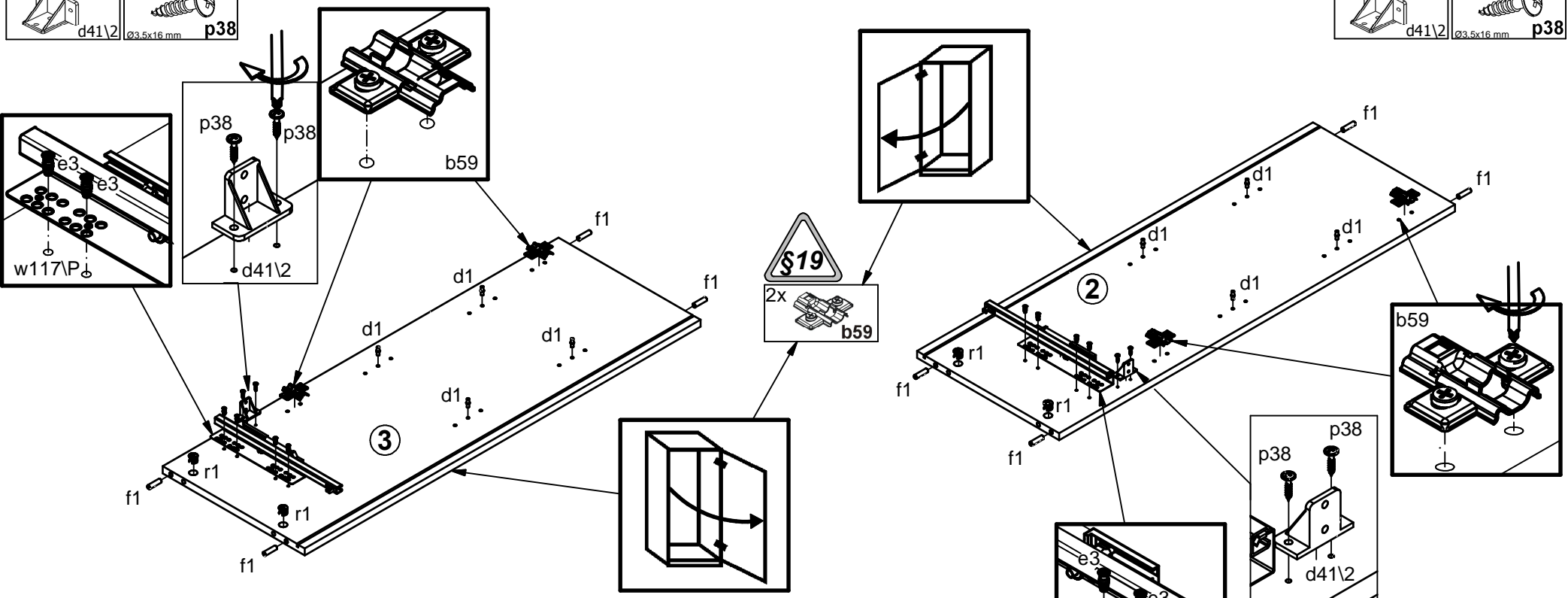


1x  f35 Ø10x50 mm	1x  n14/2 36x21x15/1.5	1x  p17 Ø5x60 mm	2x  p38 Ø3.5x16 mm
----------------------------	---------------------------------	---------------------------	-----------------------------

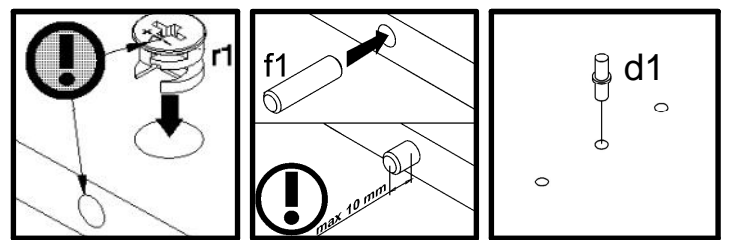
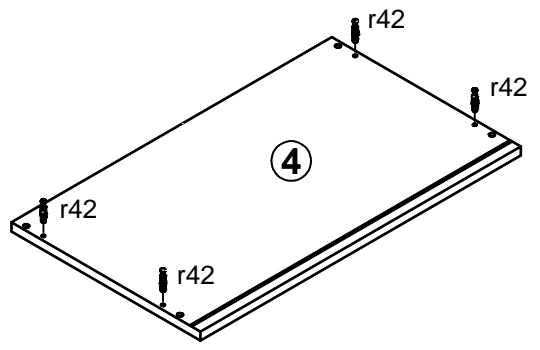
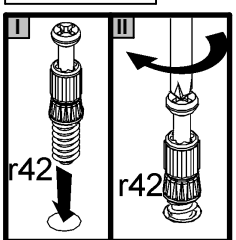
# A M246-KOM1D1S/10/6

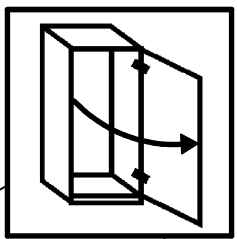
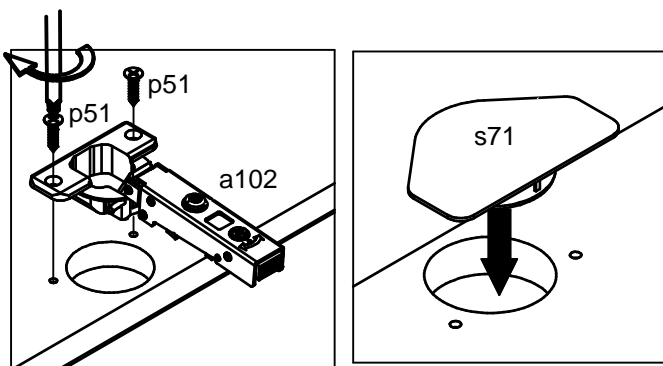
4x Ø8x30 mm f1	2x Ø15x12 mm #16 r1	4x Ø5x17 mm d1	1x 300mm w125/P	4x Ø6x13 mm e3
1x d41\2	2x Ø3.5x16 mm p38			

4x Ø8x30 mm f1	2x Ø15x12 mm #16 r1	4x Ø5x17 mm d1	1x 300mm w125/P	4x Ø6x13 mm e3
1x d41\2	2x Ø3.5x16 mm p38			



4x 20\11 r42
--------------------





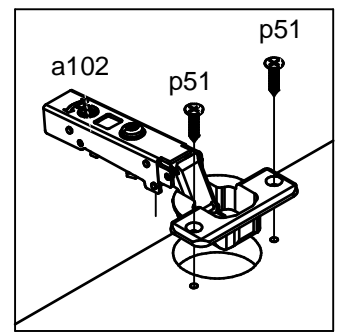
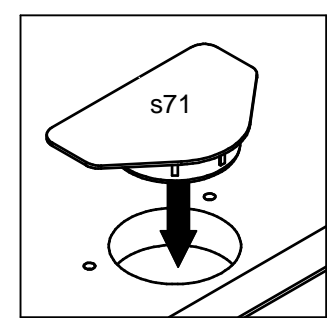
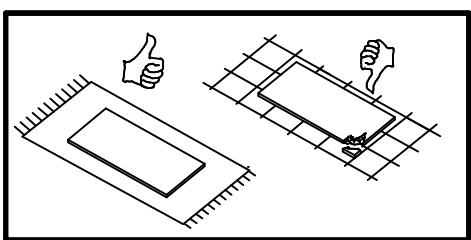
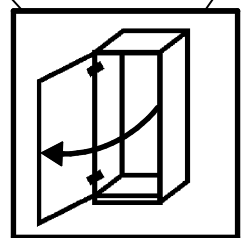
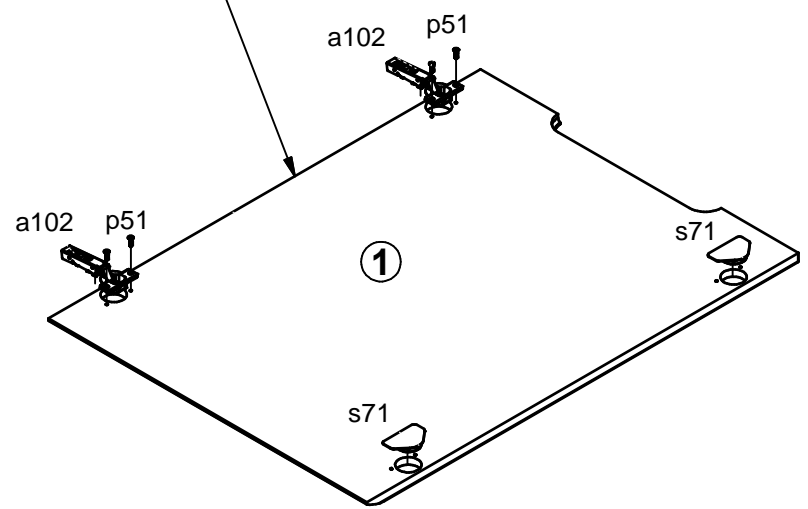
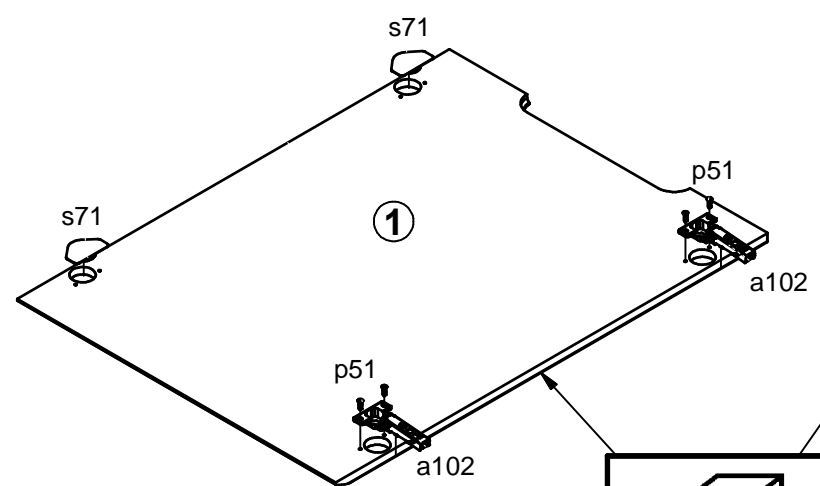
**!**

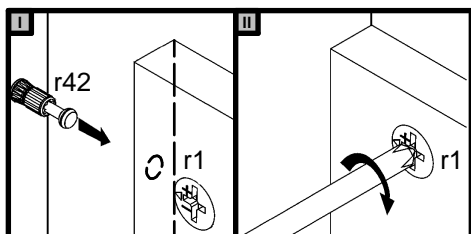
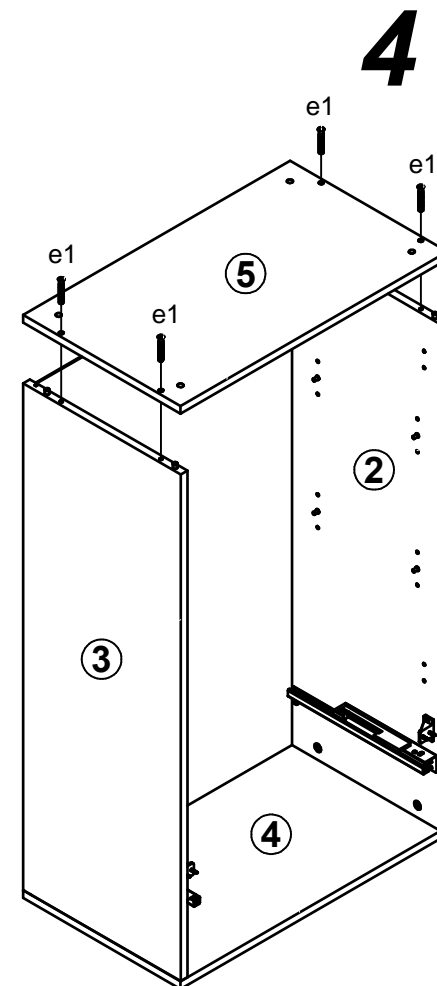
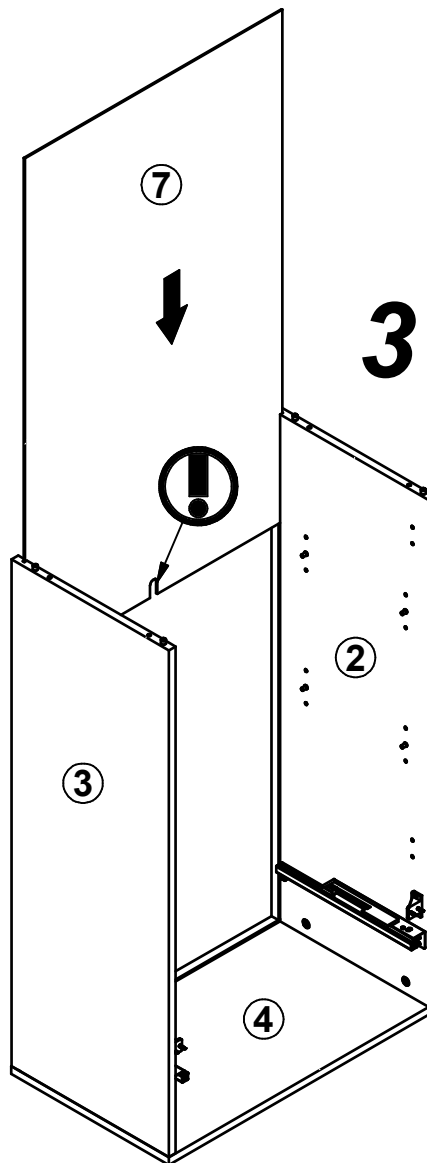
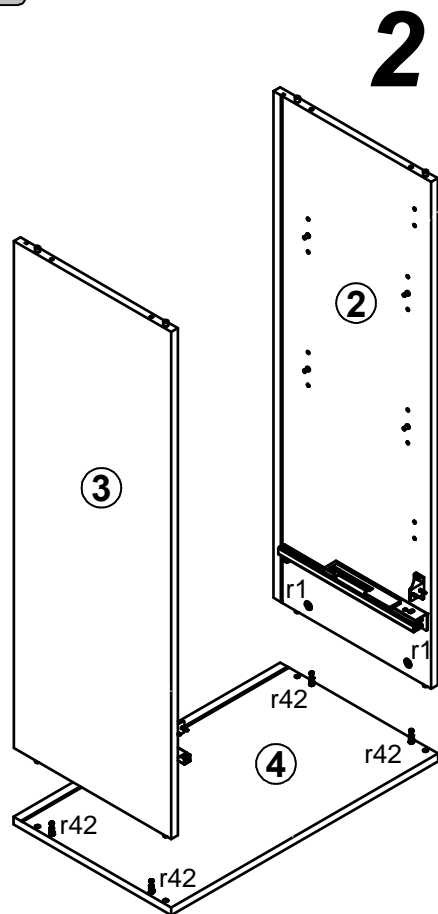
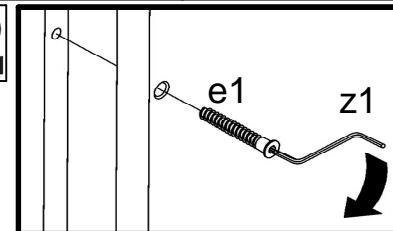
**§19**

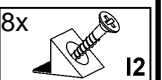
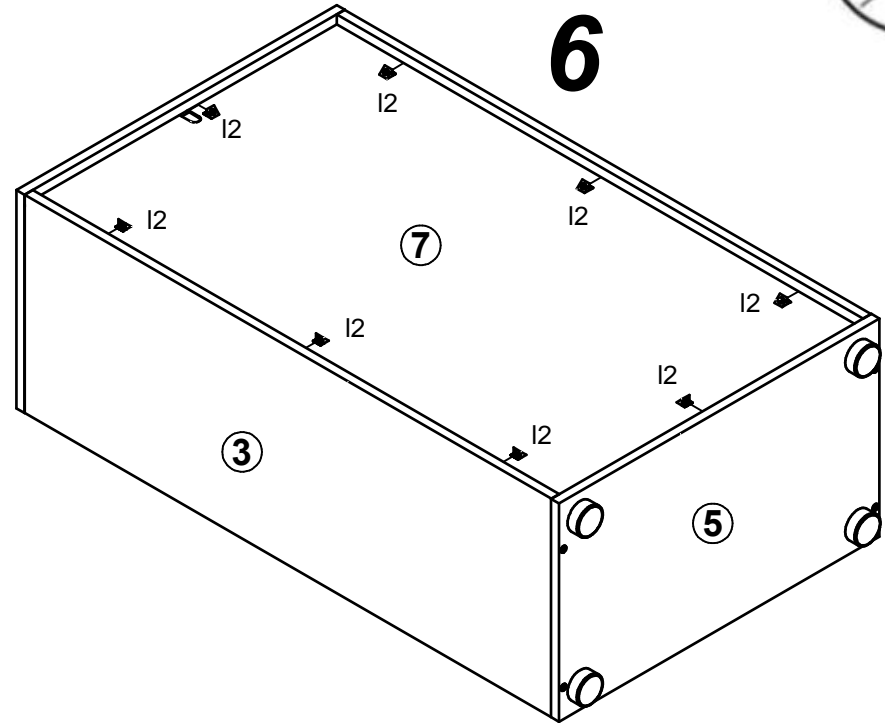
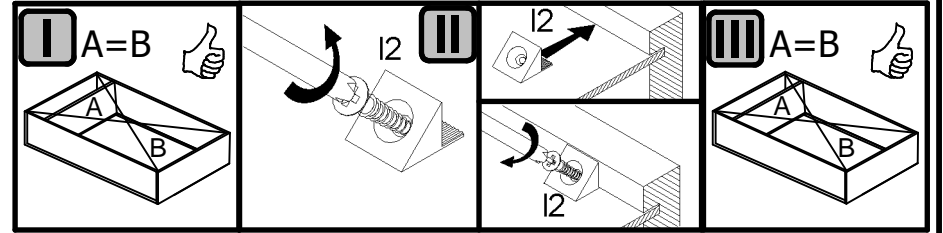
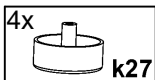
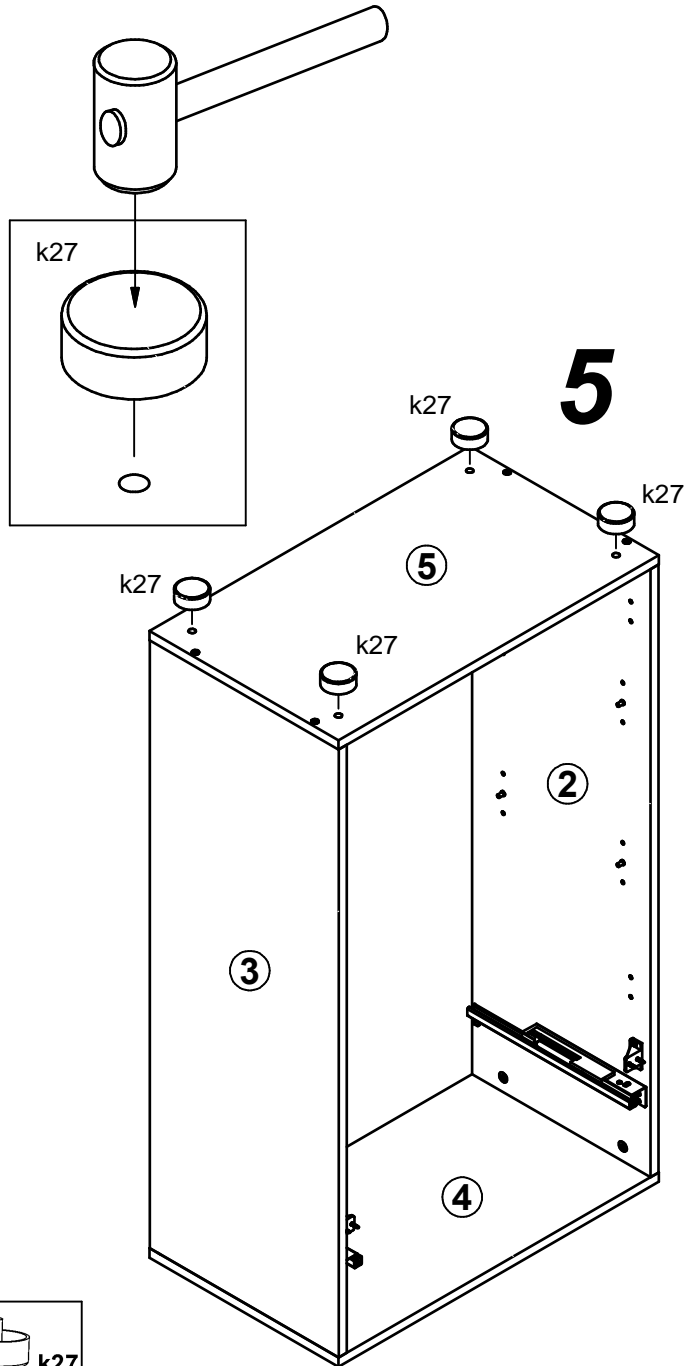
2X **s71**  
 Ø35x62x40x10

4X **p51**  
 Ø3.5x15 mm

2X **a102**

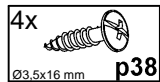
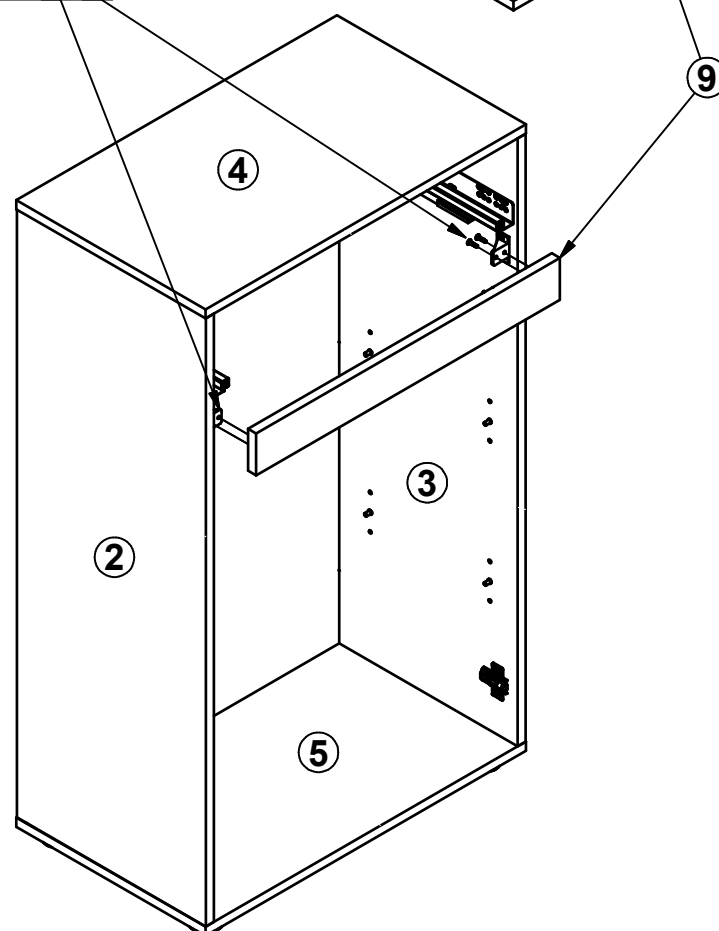
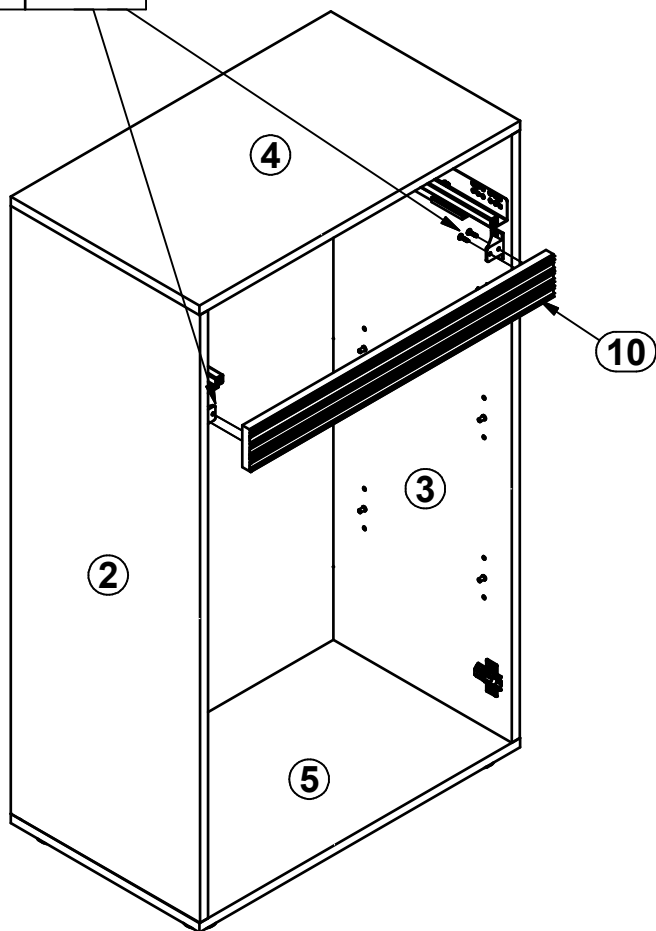
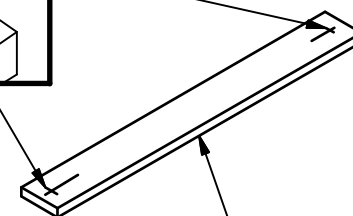
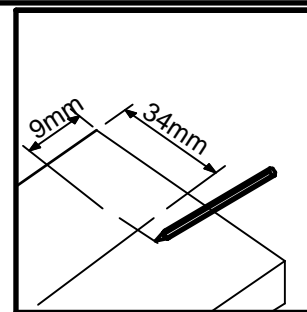
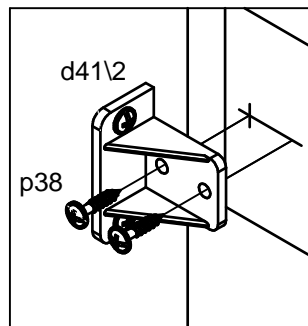
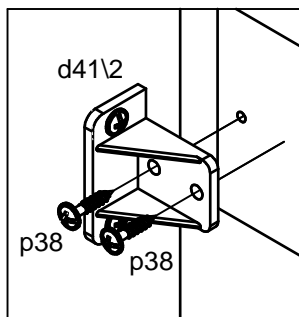


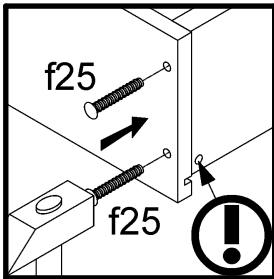






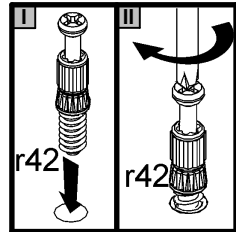
7





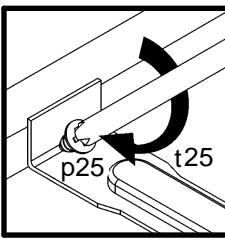
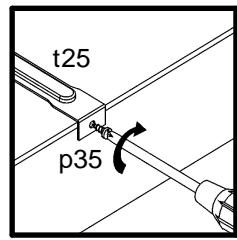
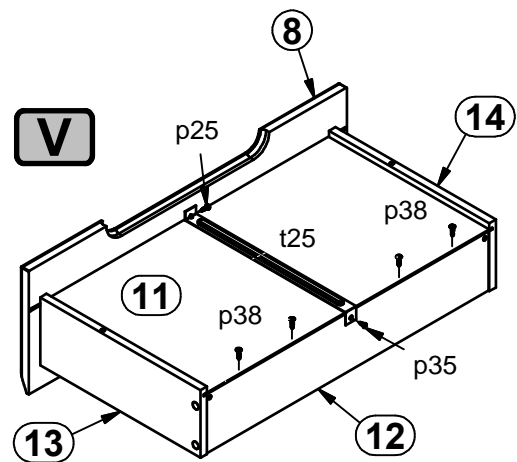
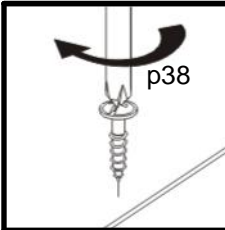
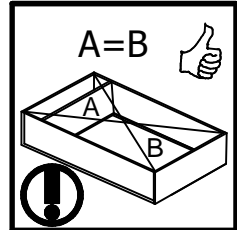
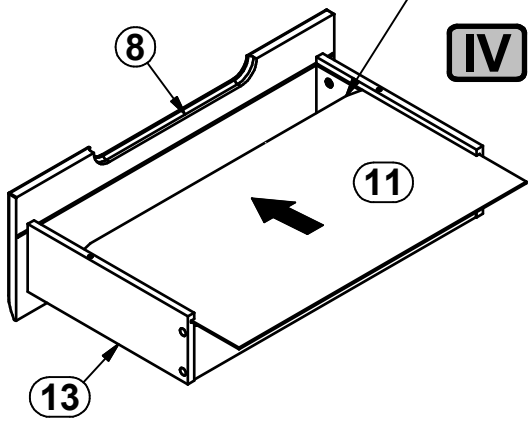
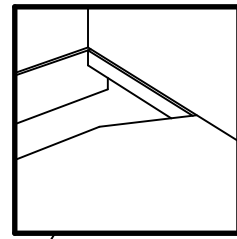
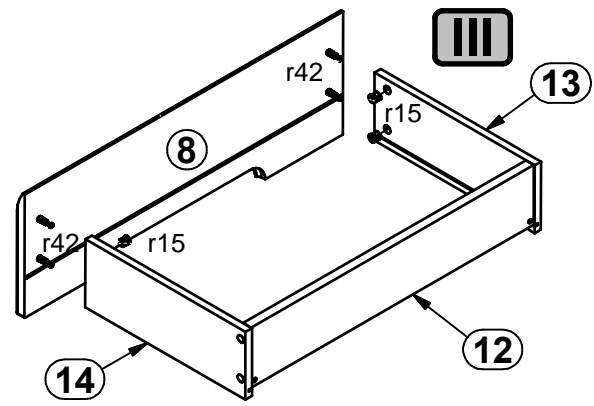
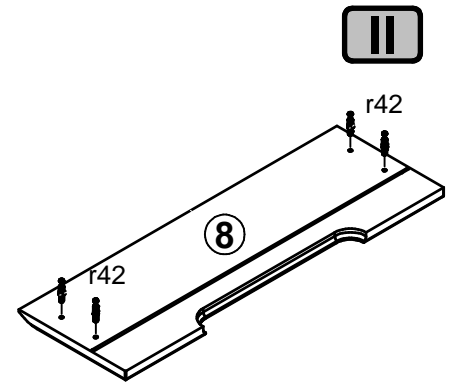
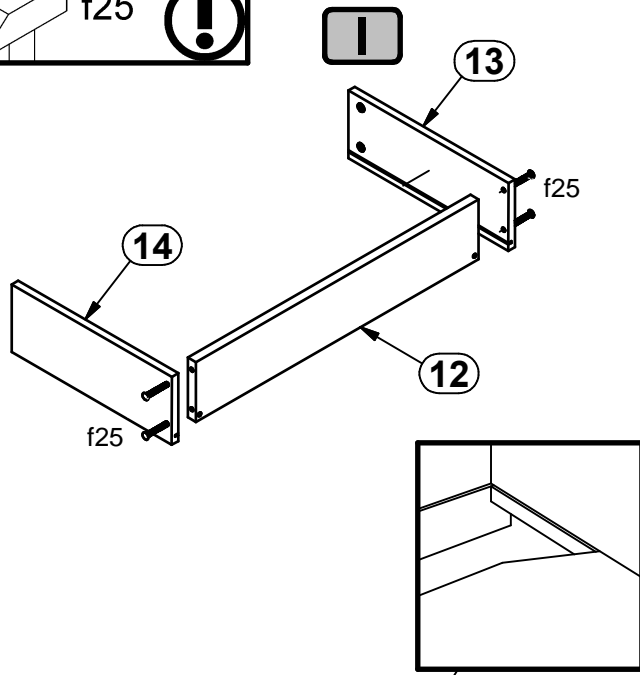
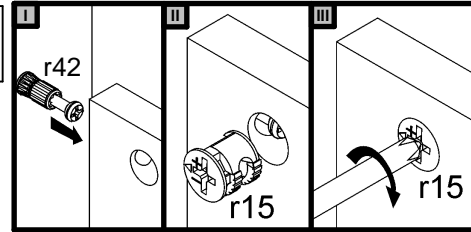
4x  
Ø6.5x40 mm  
f25

8



4x  
20x11  
r42

4x  
Ø12x10.5 mm #12  
r15



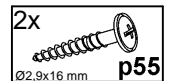
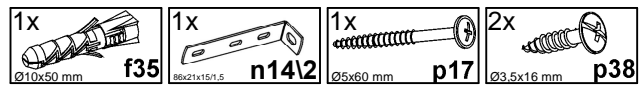
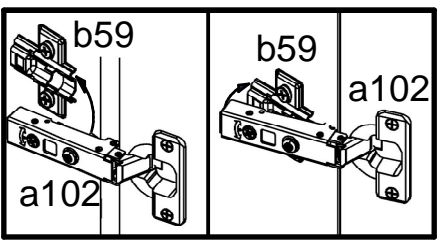
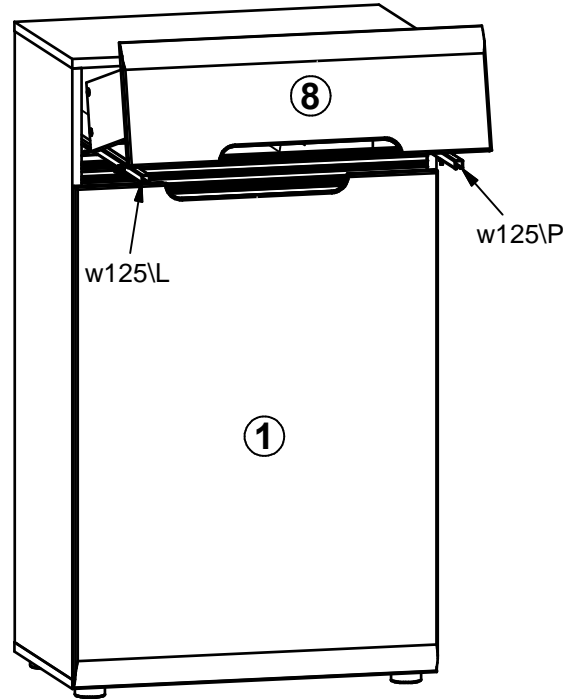
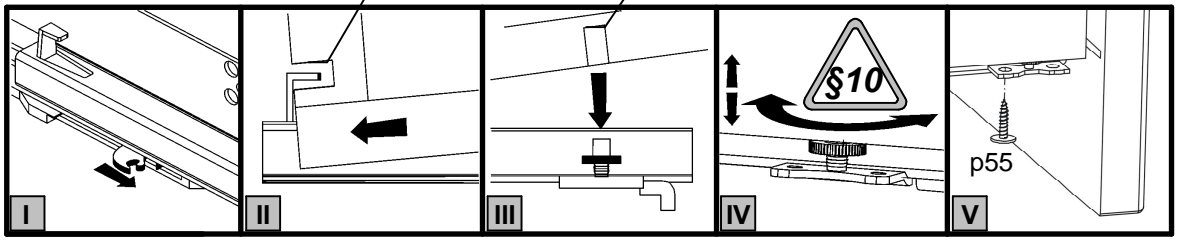
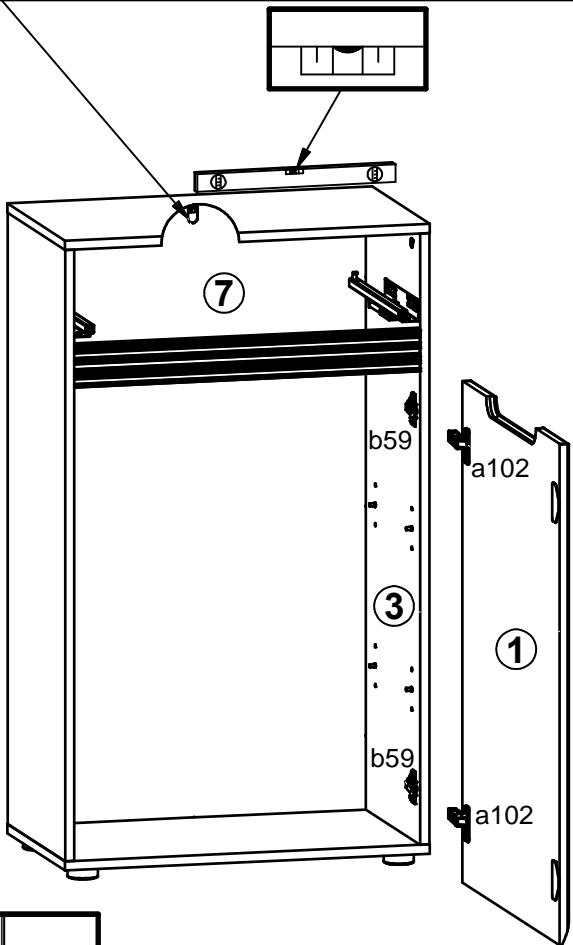
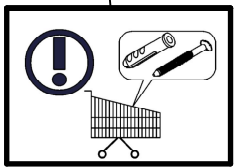
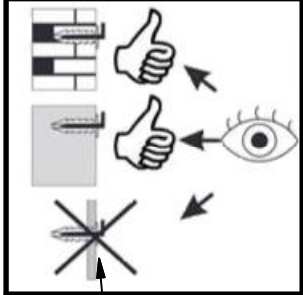
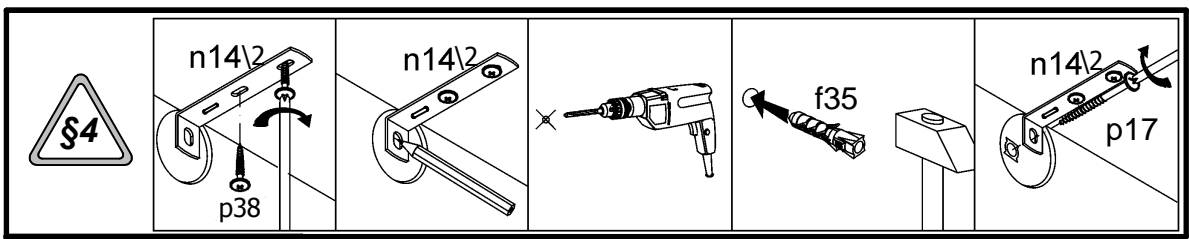
1x  
300 mm  
t25

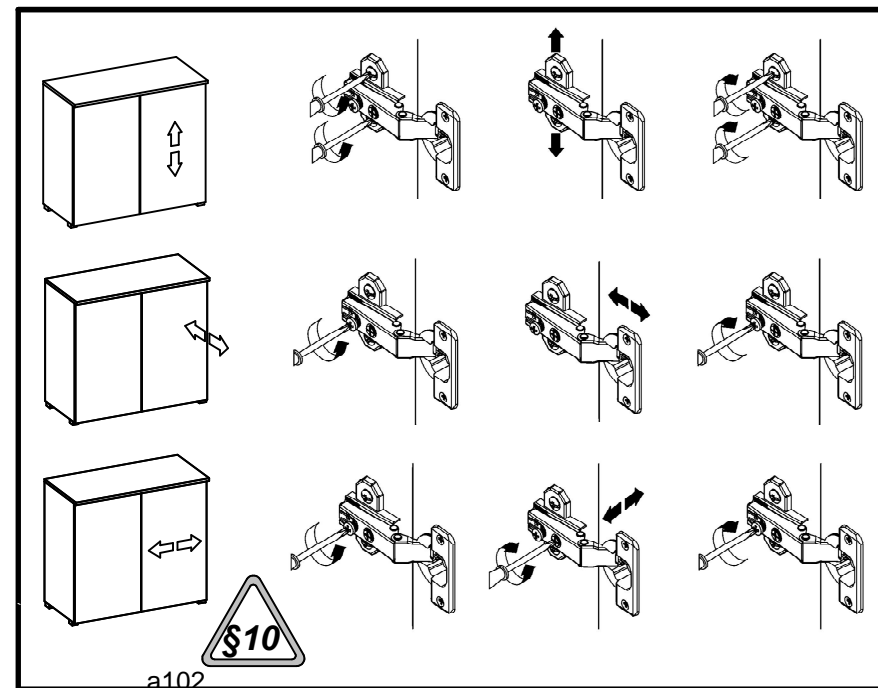
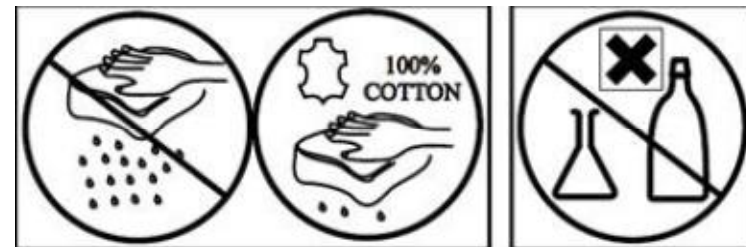
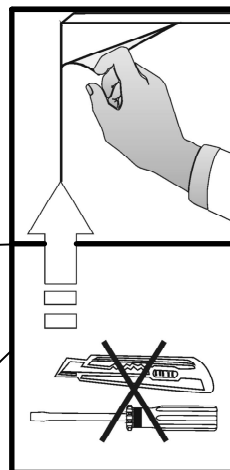
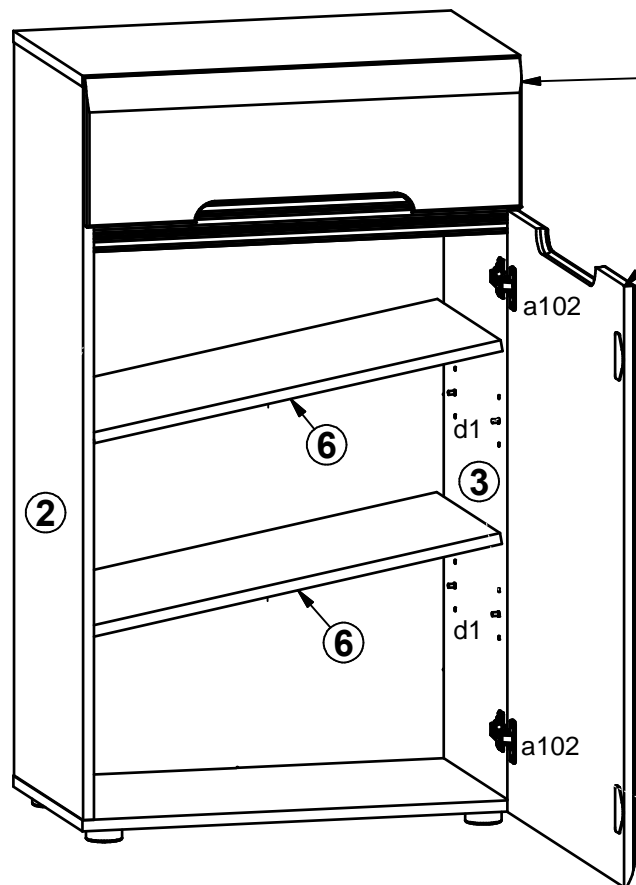
1x  
Ø3.5x10 mm  
p35

1x  
Ø3.5x16 mm  
p25

4x  
Ø3.5x16 mm  
p38







a102