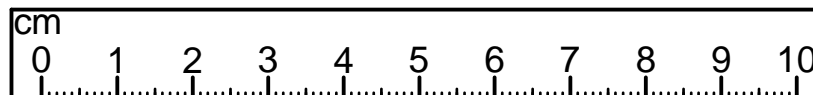
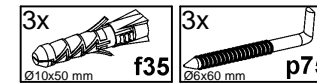
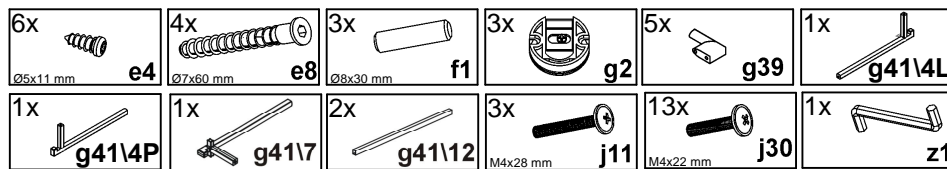
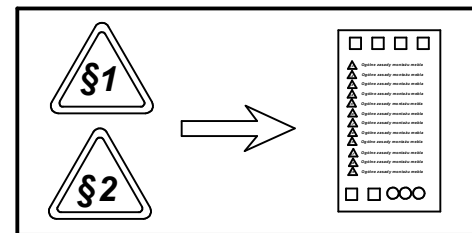
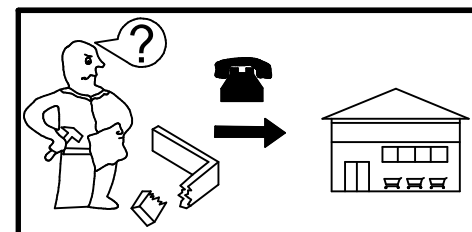
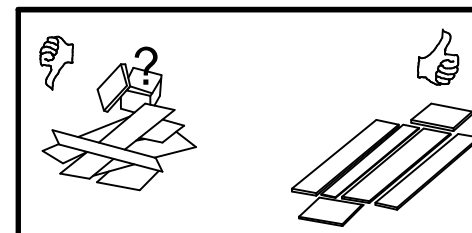
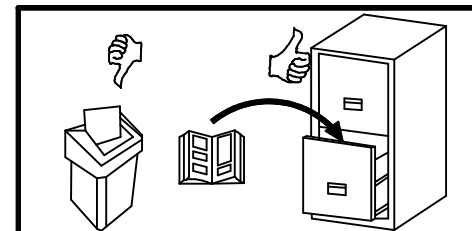
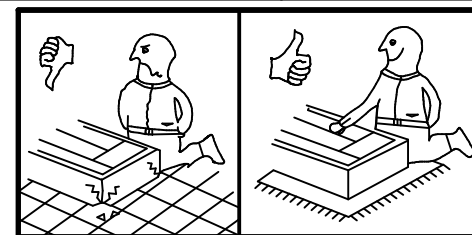
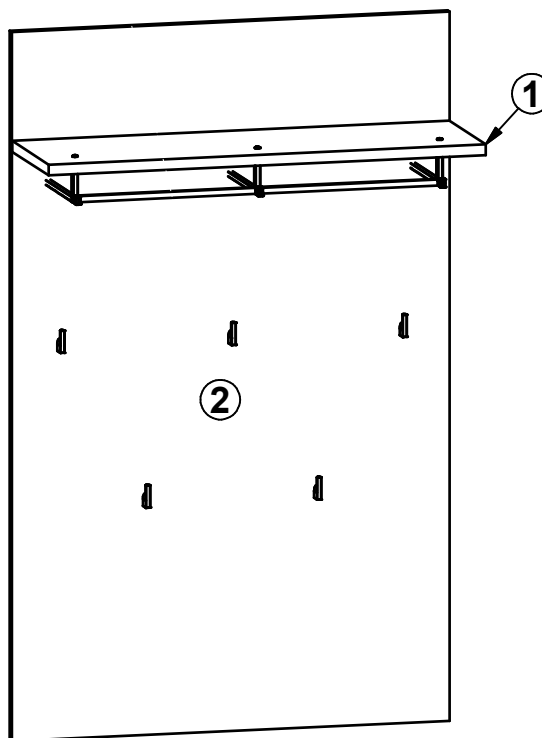
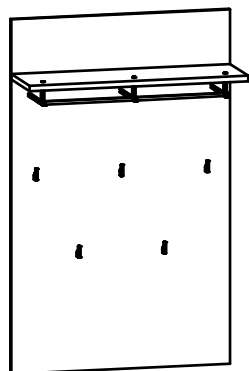
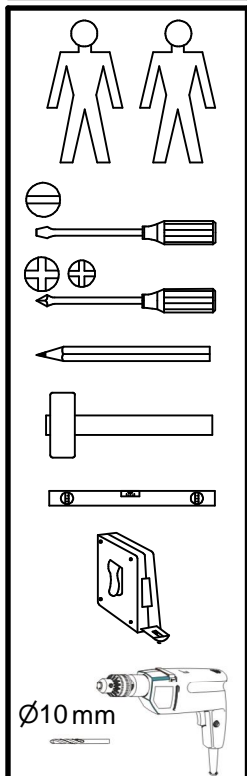
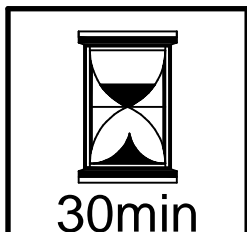
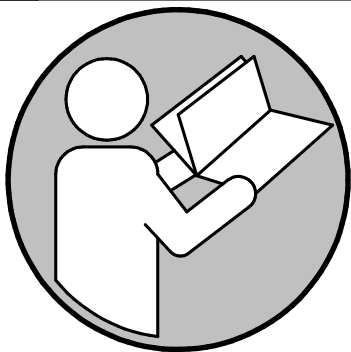
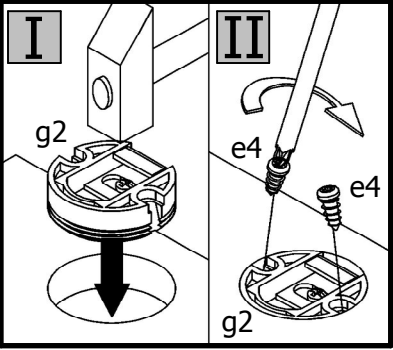


A	B	C1	C2	C3	D
1	M246-3005	899	280	22	1/1
2	M246-4501	1430	900	15	1/1



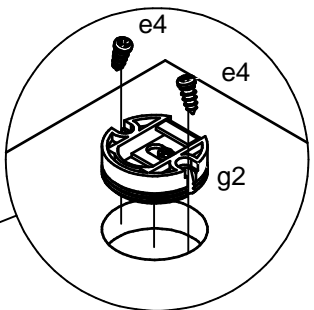
A

M246-PAN/14/9

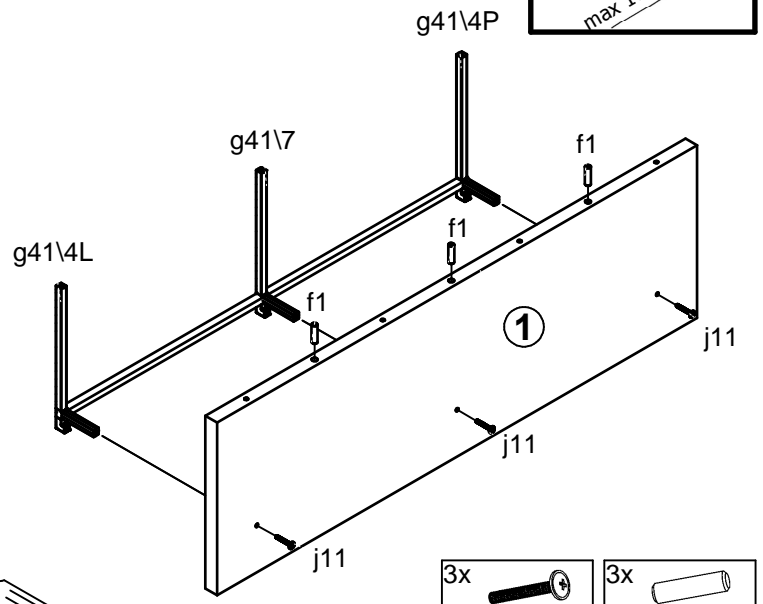
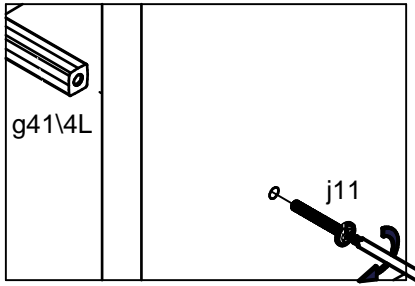
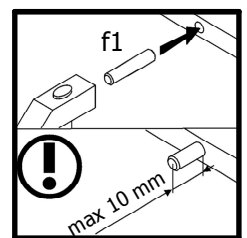
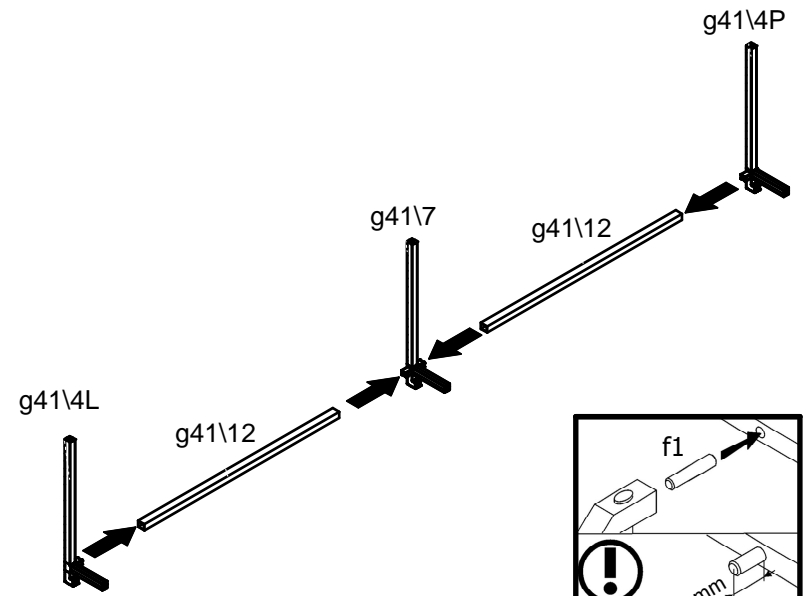
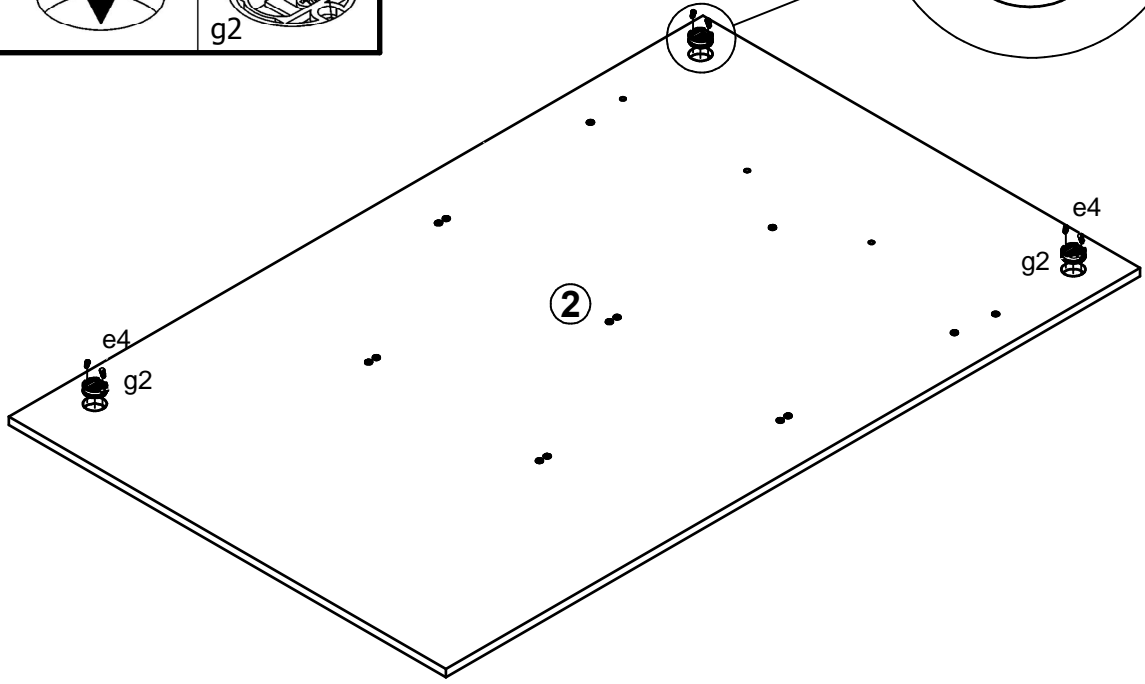


- 6x e4
ø5x11 mm
- 3x g2

1

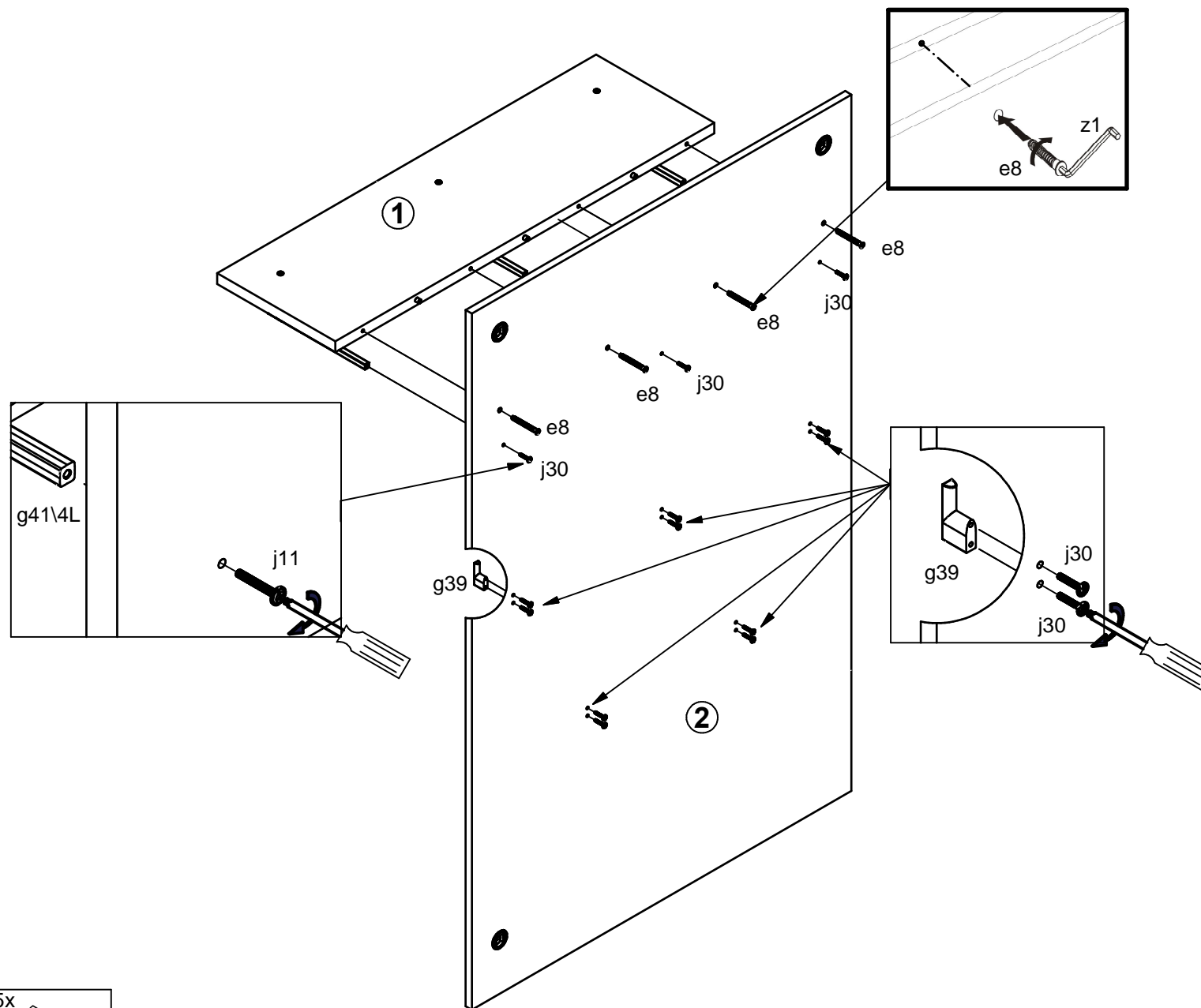


- 1x g41\4L
- 1x g41\4P
- 1x g41\7
- 2x g41\12

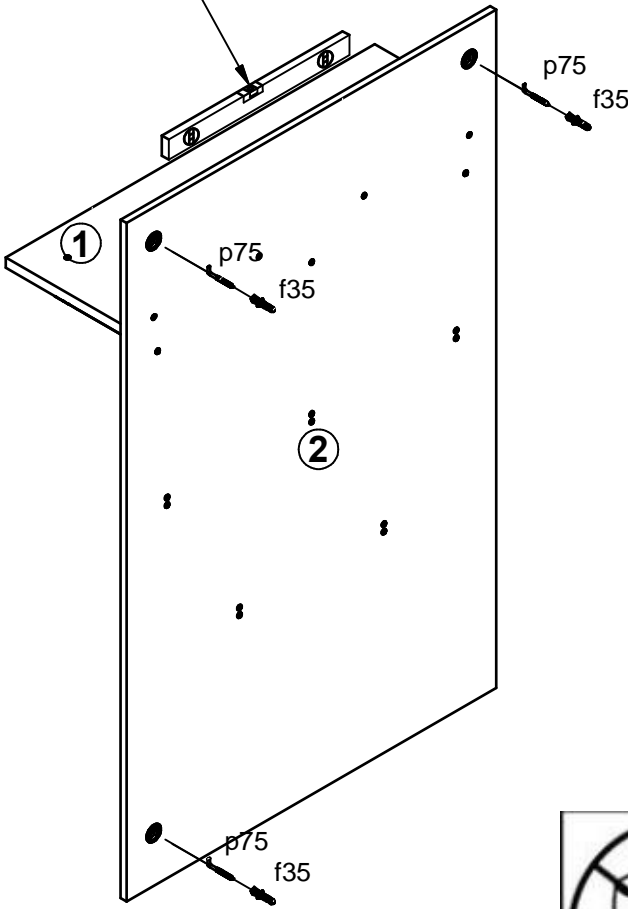
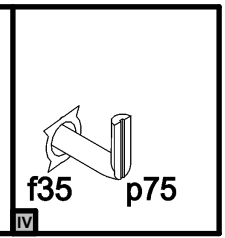
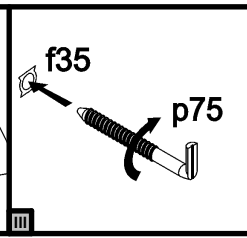
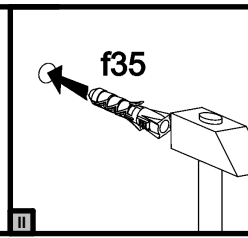
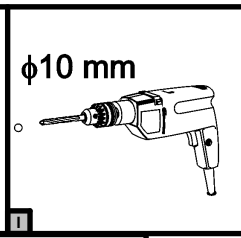
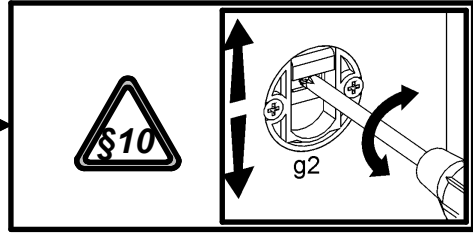
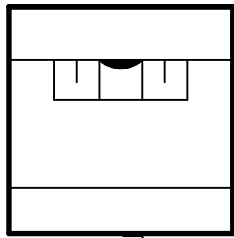


- 3x j11
M4x28 mm
- 3x f1
ø8x30 mm

2



- | | | |
|----------------------|------------------------|-----------|
| 4x
Ø7x60 mm
e8 | 13x
M4x22 mm
j30 | 5x
g39 |
|----------------------|------------------------|-----------|



3

