

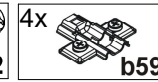
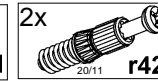
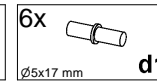
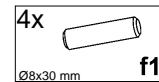
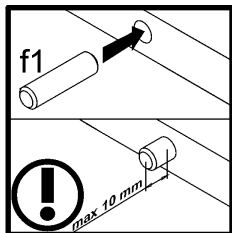
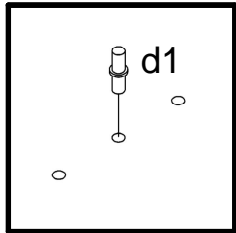
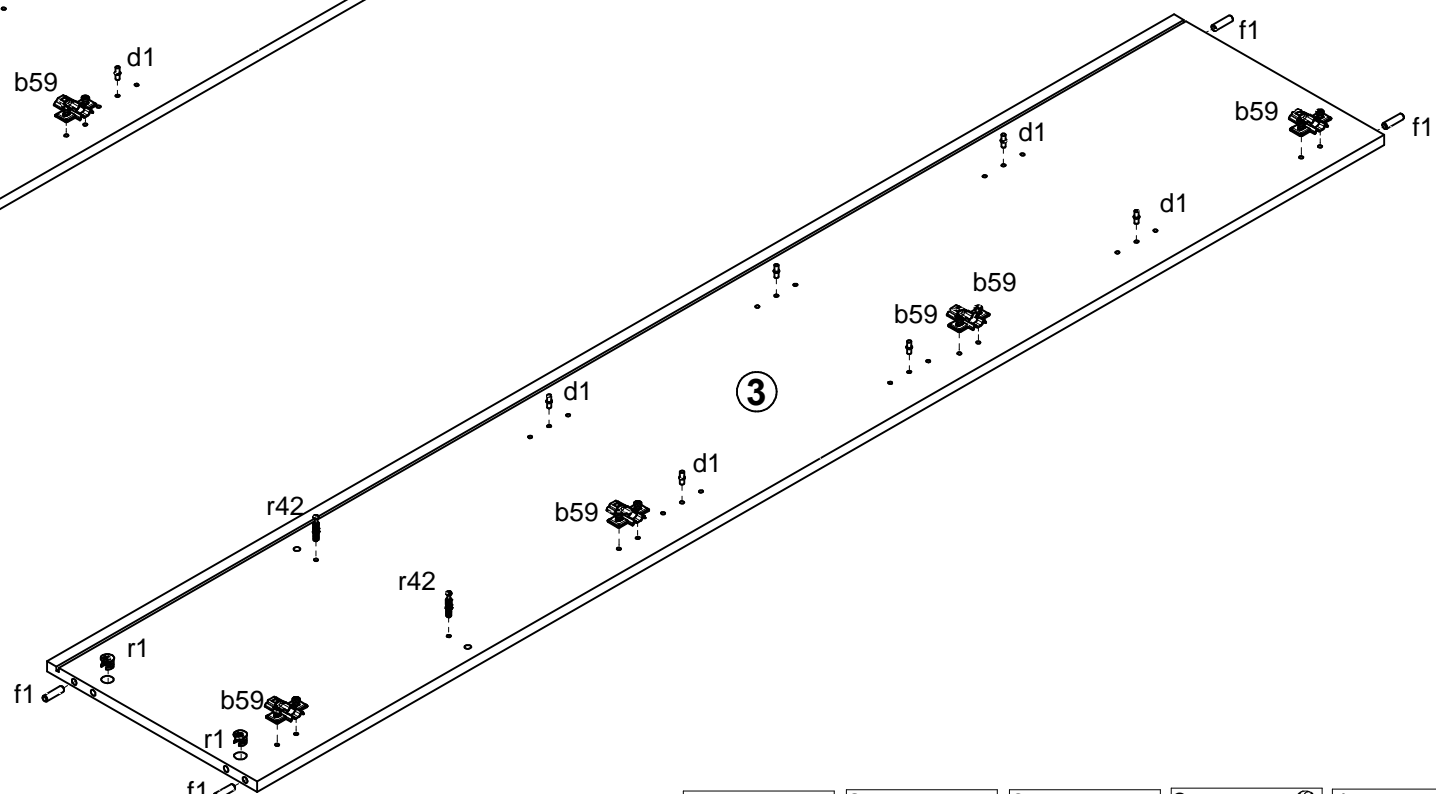
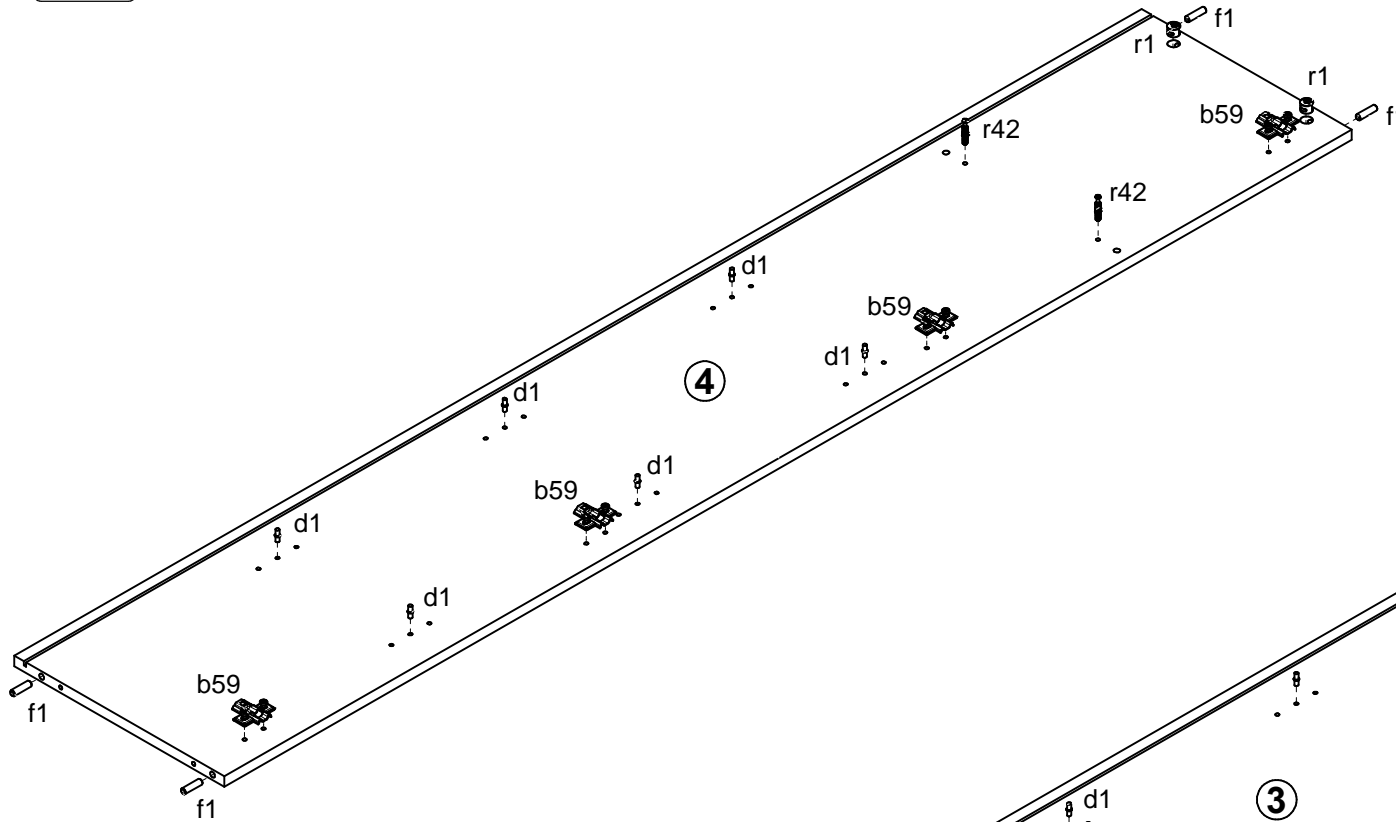
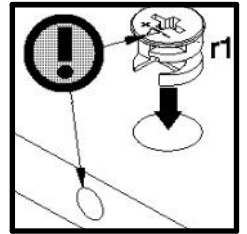
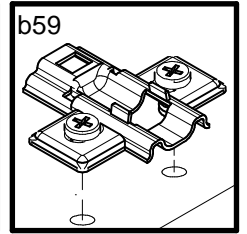
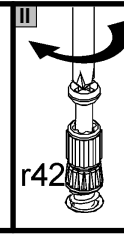
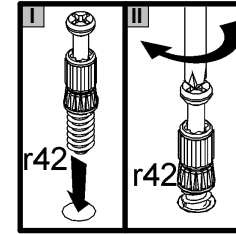
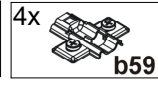
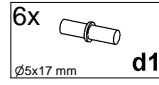
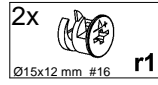
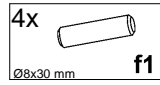
A	B	C1	C2	C3	D
1	M246-0003	1926,	396	16	2/2
2	M246-0004	1926,	396	16	2/2
3	M246-1006	1900	354,	15	1/2
4	M246-1007	1900	354,	15	1/2
5	M246-2005	800	354,	15	1/2
6	M246-2006	800	354,	15	1/2
7	M246-3003	768,	324,	15	1/2
8	M246-3004	769	334	15	1/2
9	M246-9303	1910	779	2,5	2/2
10	S504-5711	270	100	6,	1/2
11	S504-7353	270	100	6,	1/2

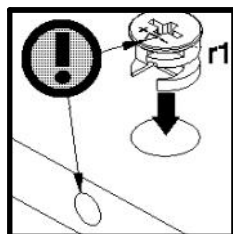
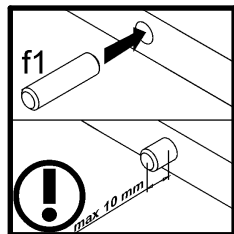
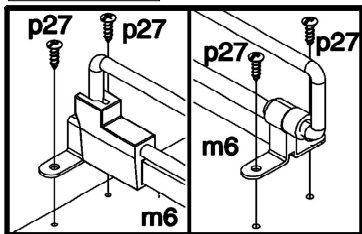
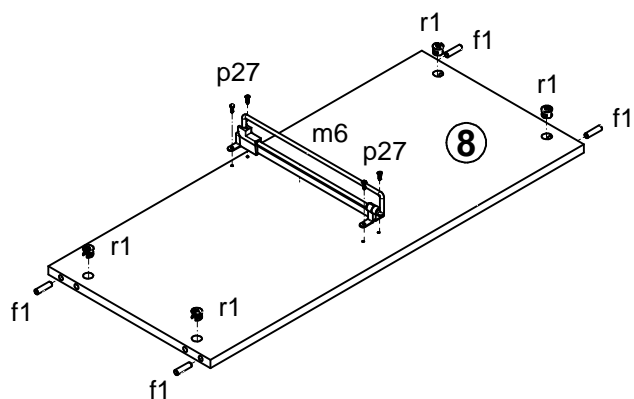
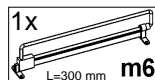
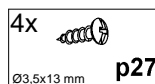
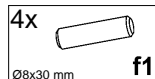
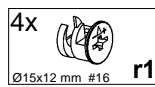
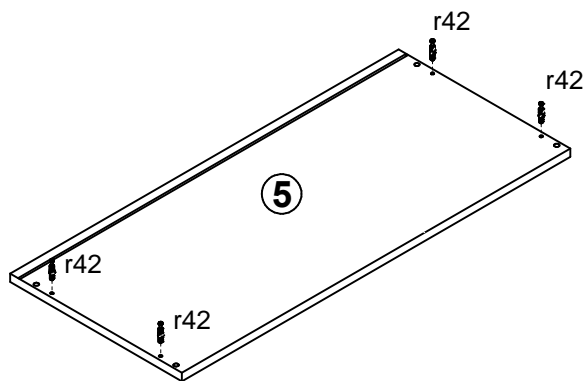
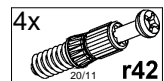
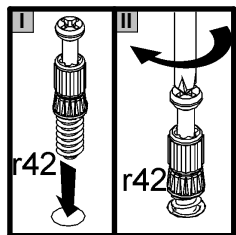
8x a102	8x b59	12x d1 Ø5x17 mm
4x e1 Ø7x50 mm	12x f1 Ø8x30 mm	4x k27
7x l1	14x l2	1x m6 L=300 mm
4x p27 Ø3,5x13 mm	8x p38 Ø3,5x16 mm	16x p51 Ø3,5x15 mm
8x r1 Ø15x12 mm #16	8x r42	8x s2 Ø16
1x z1		

2x f35 Ø10x50 mm	2x n14 86x21x15/1,5	2x p17 Ø5x60 mm	4x p38 Ø3,5x16 mm
----------------------------	-------------------------------	---------------------------	-----------------------------

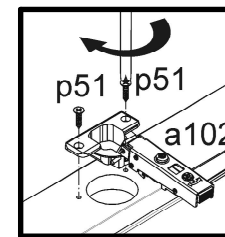
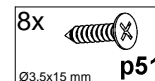
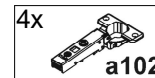
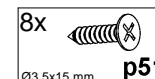
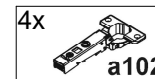
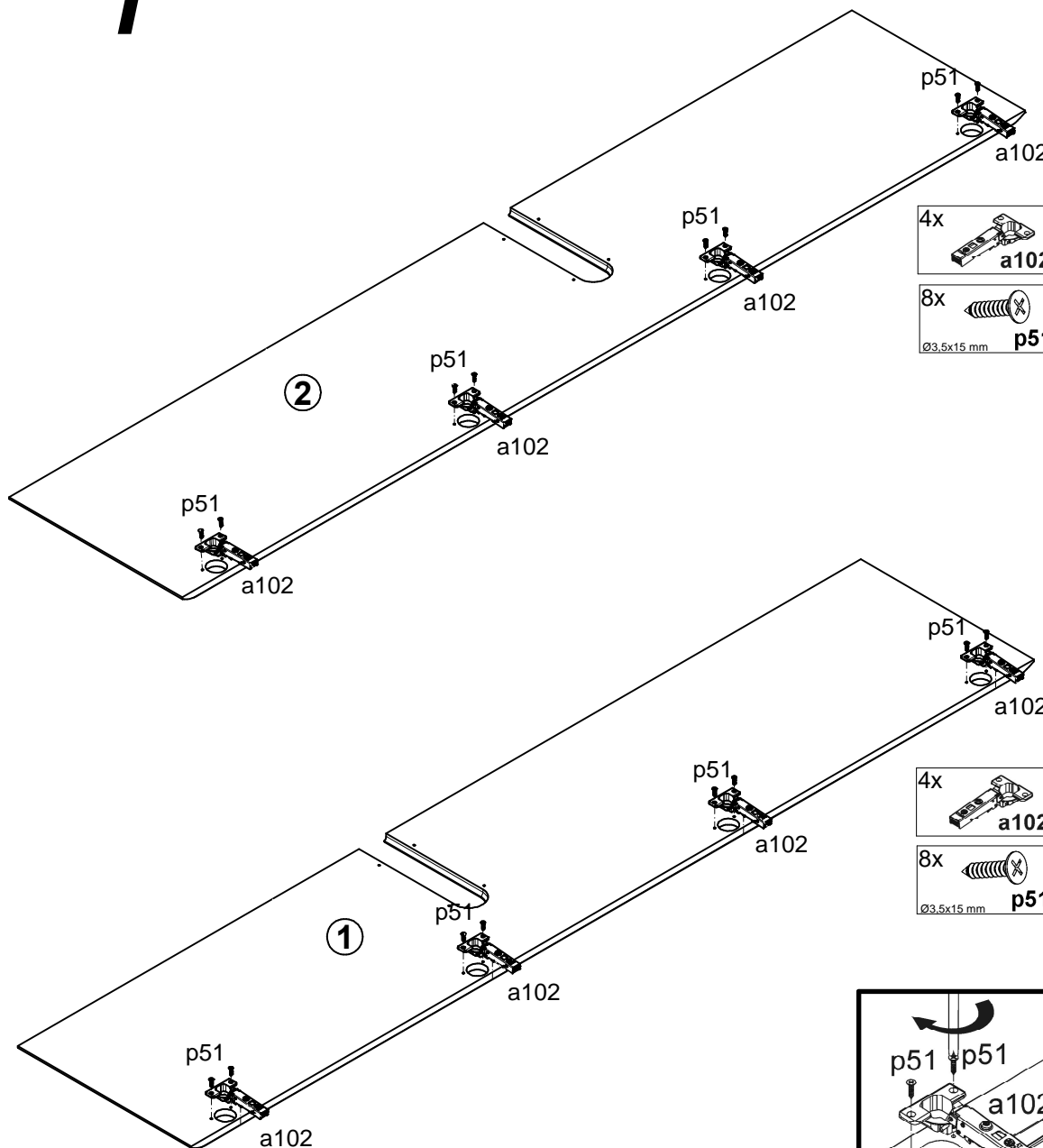


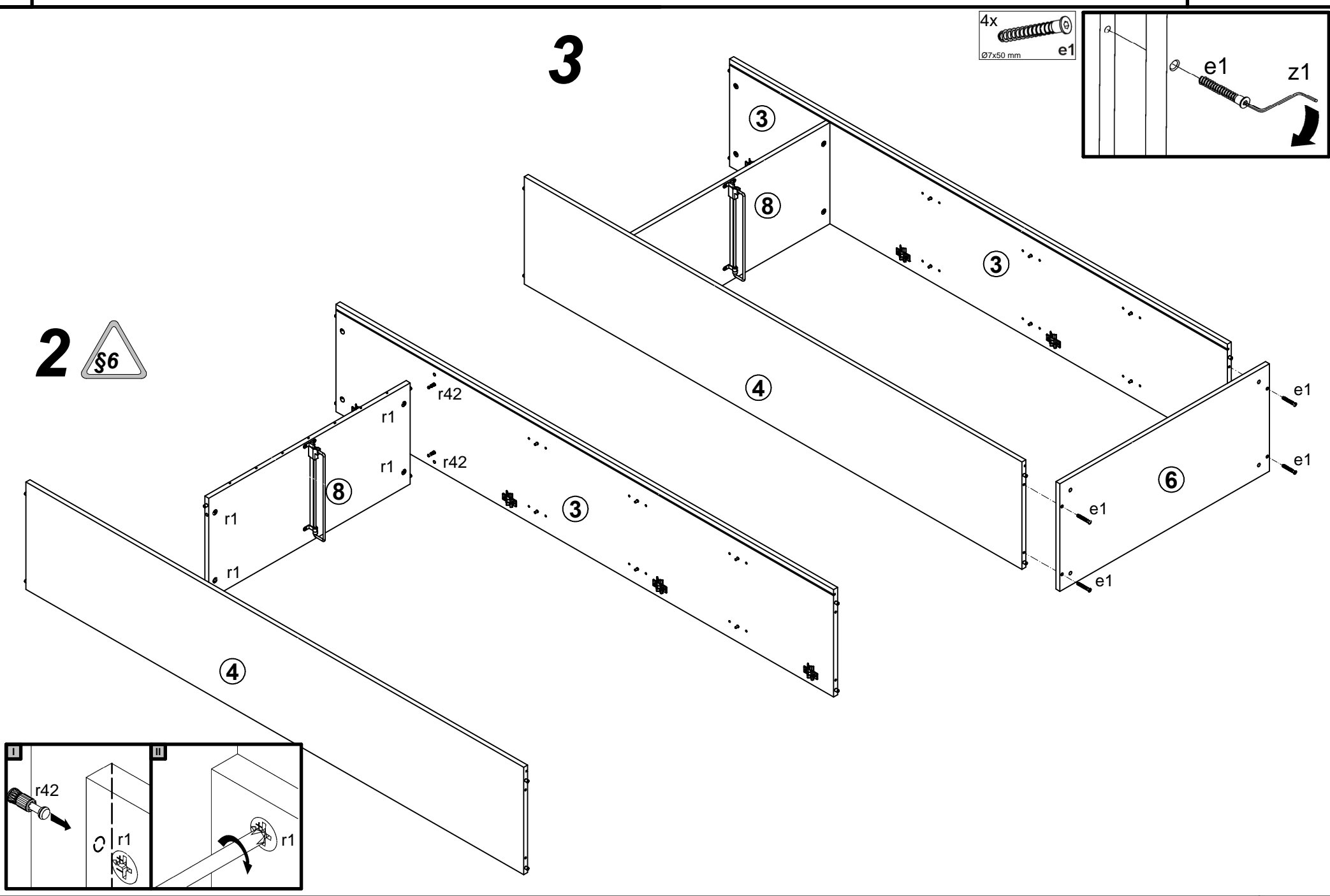
1





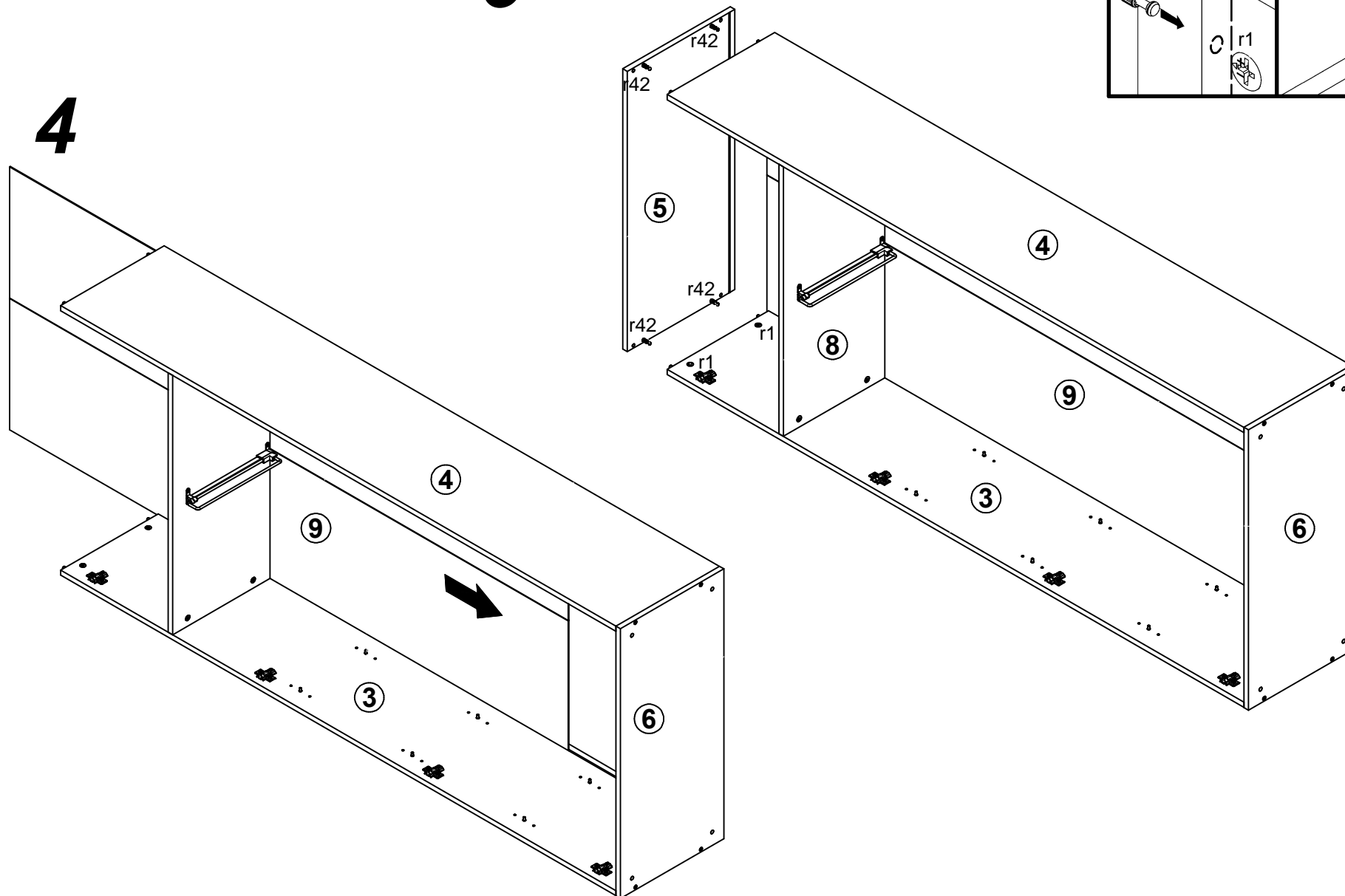
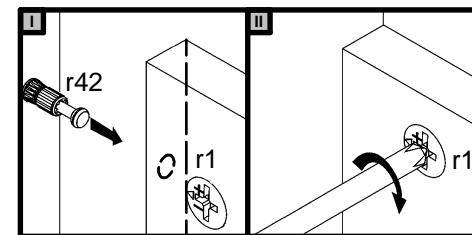
1



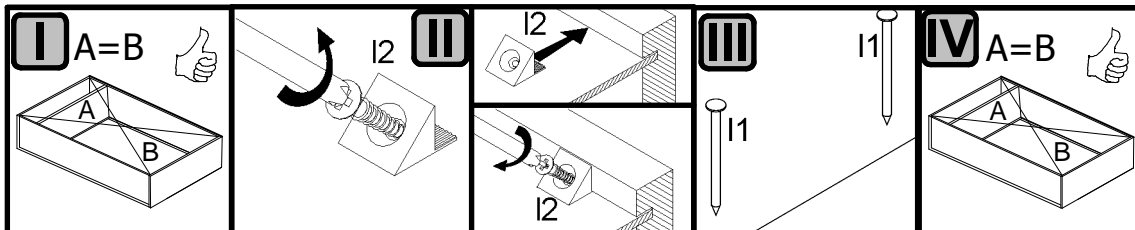
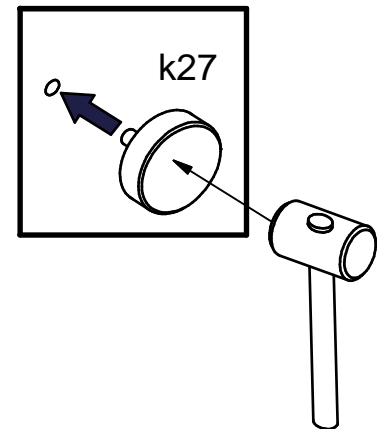
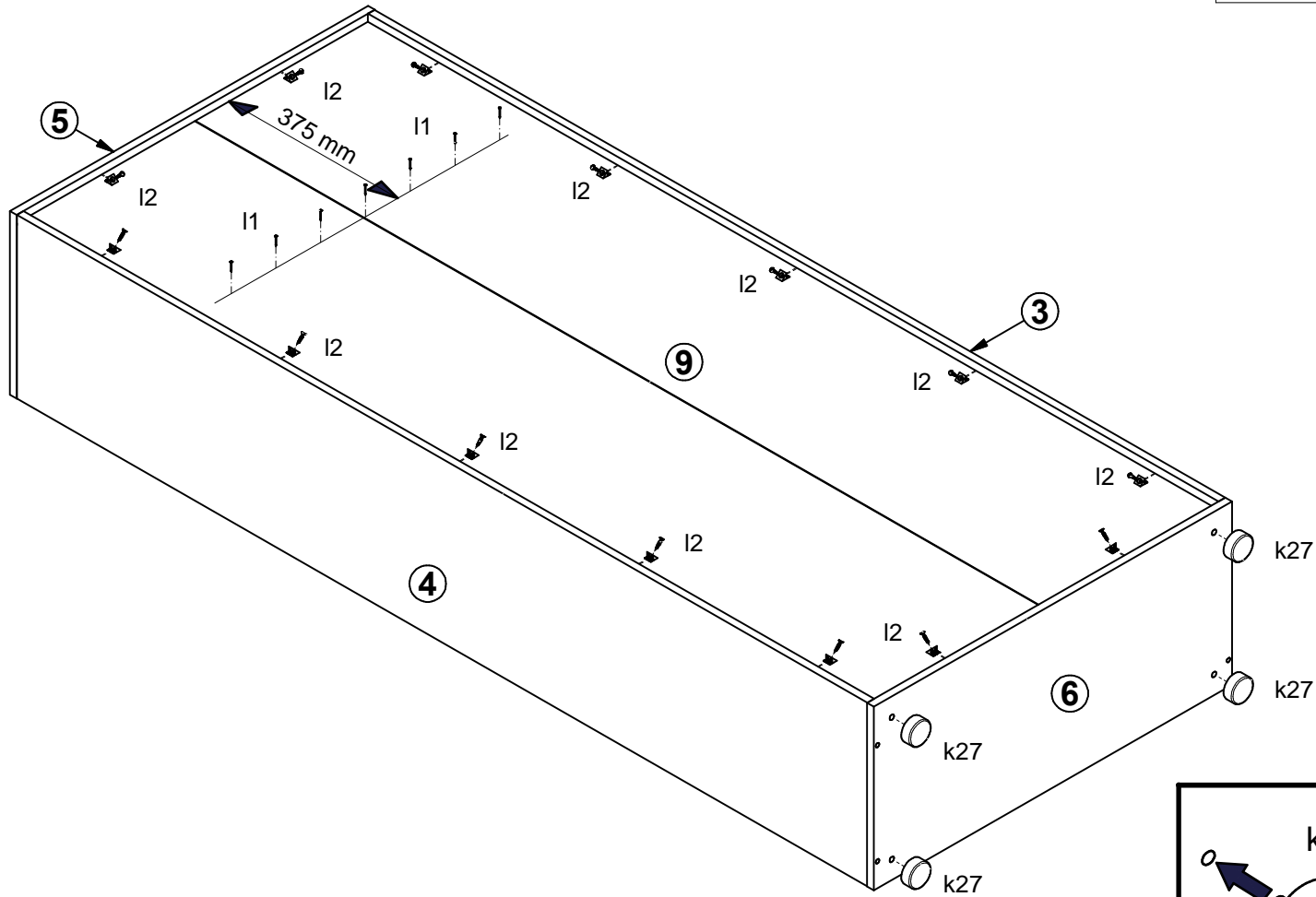
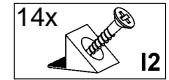
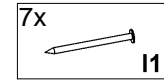


5

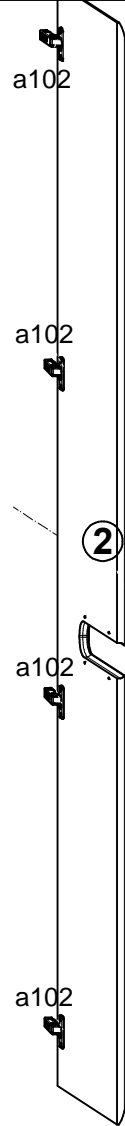
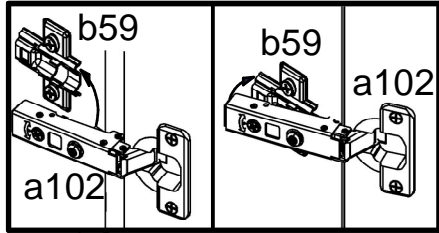
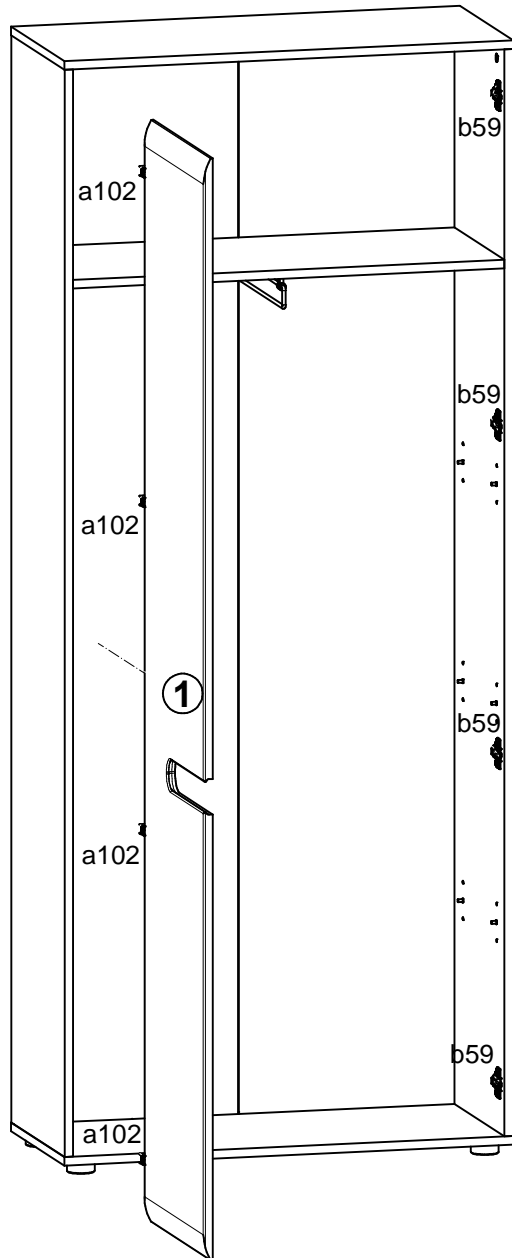
4



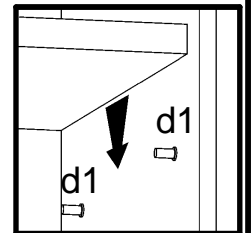
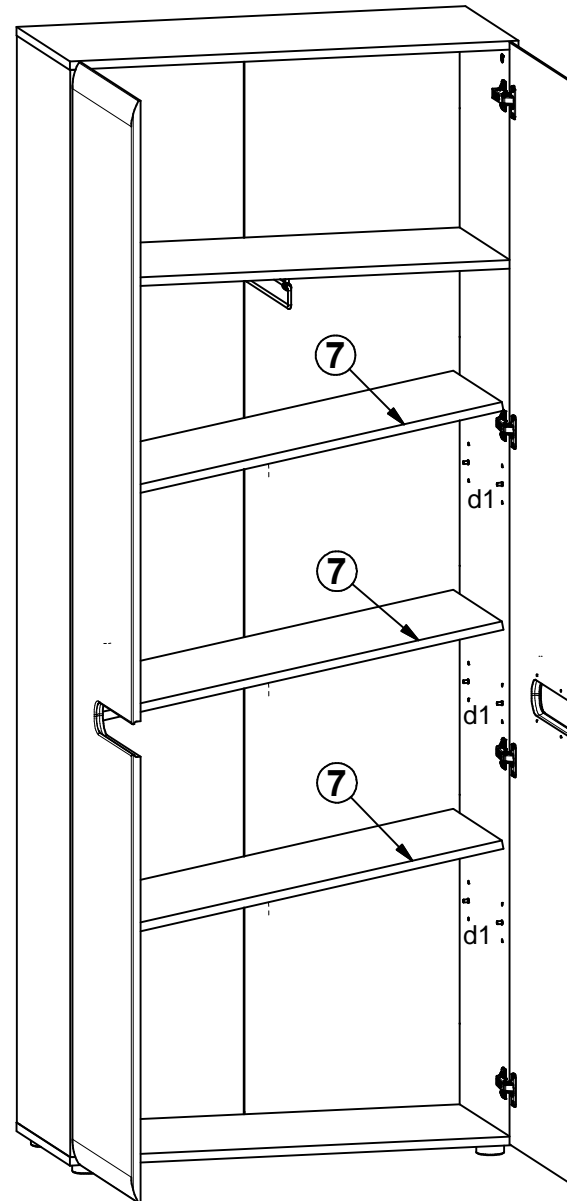
6

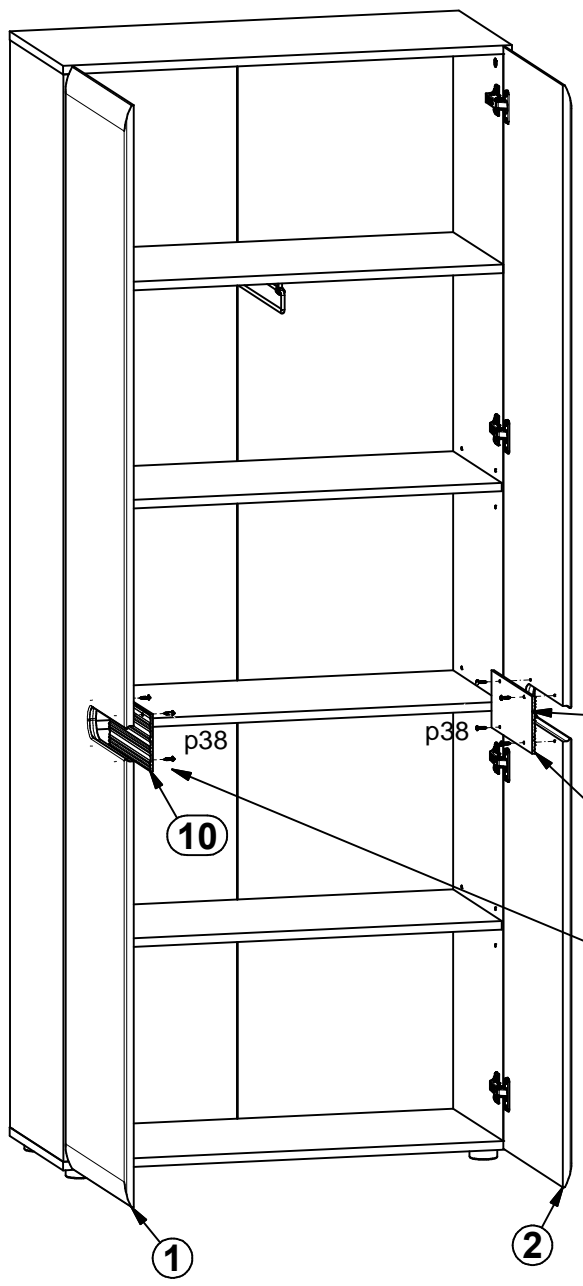


7



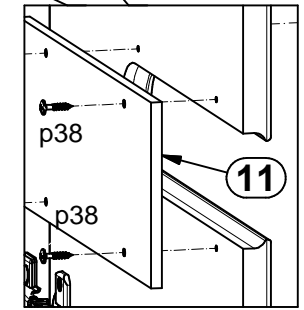
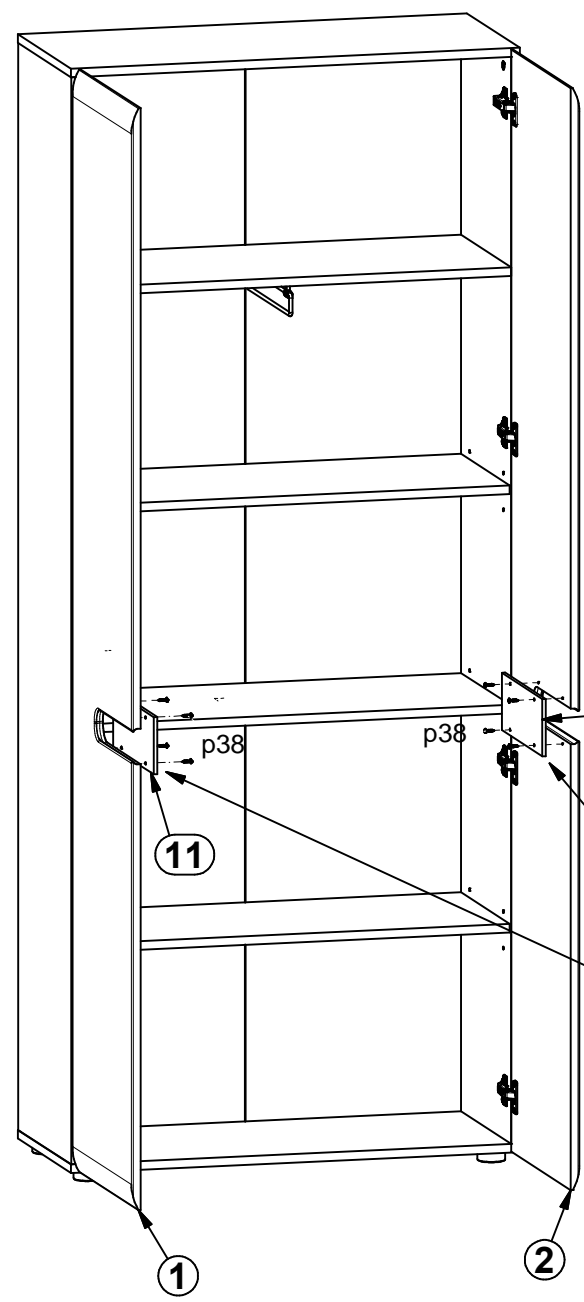
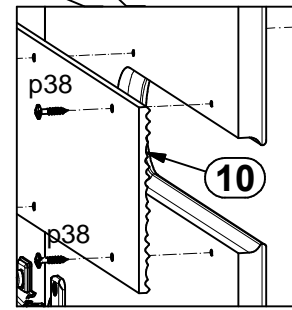
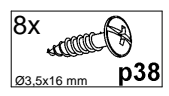
8





§14

9
!



10

