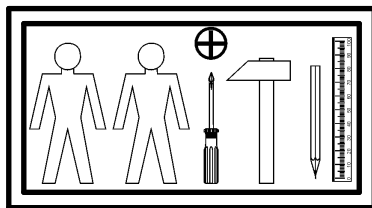
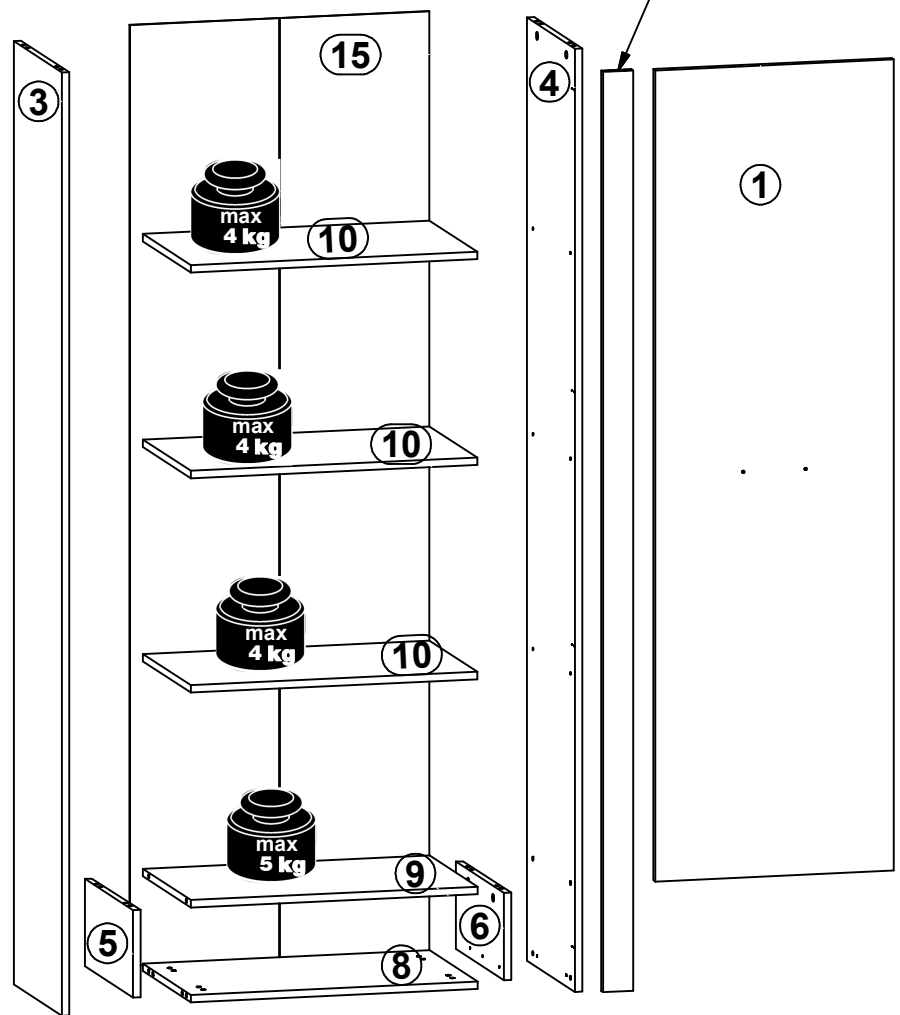
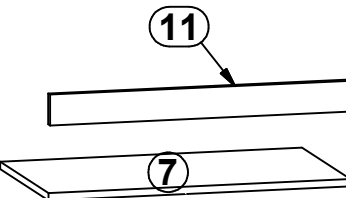
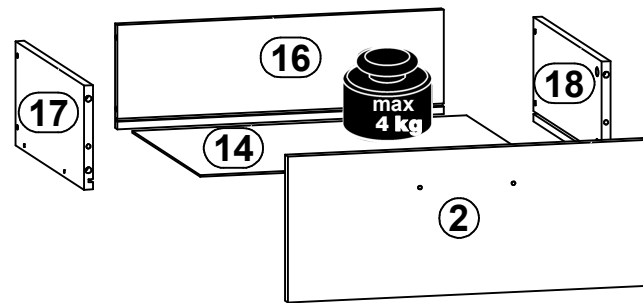
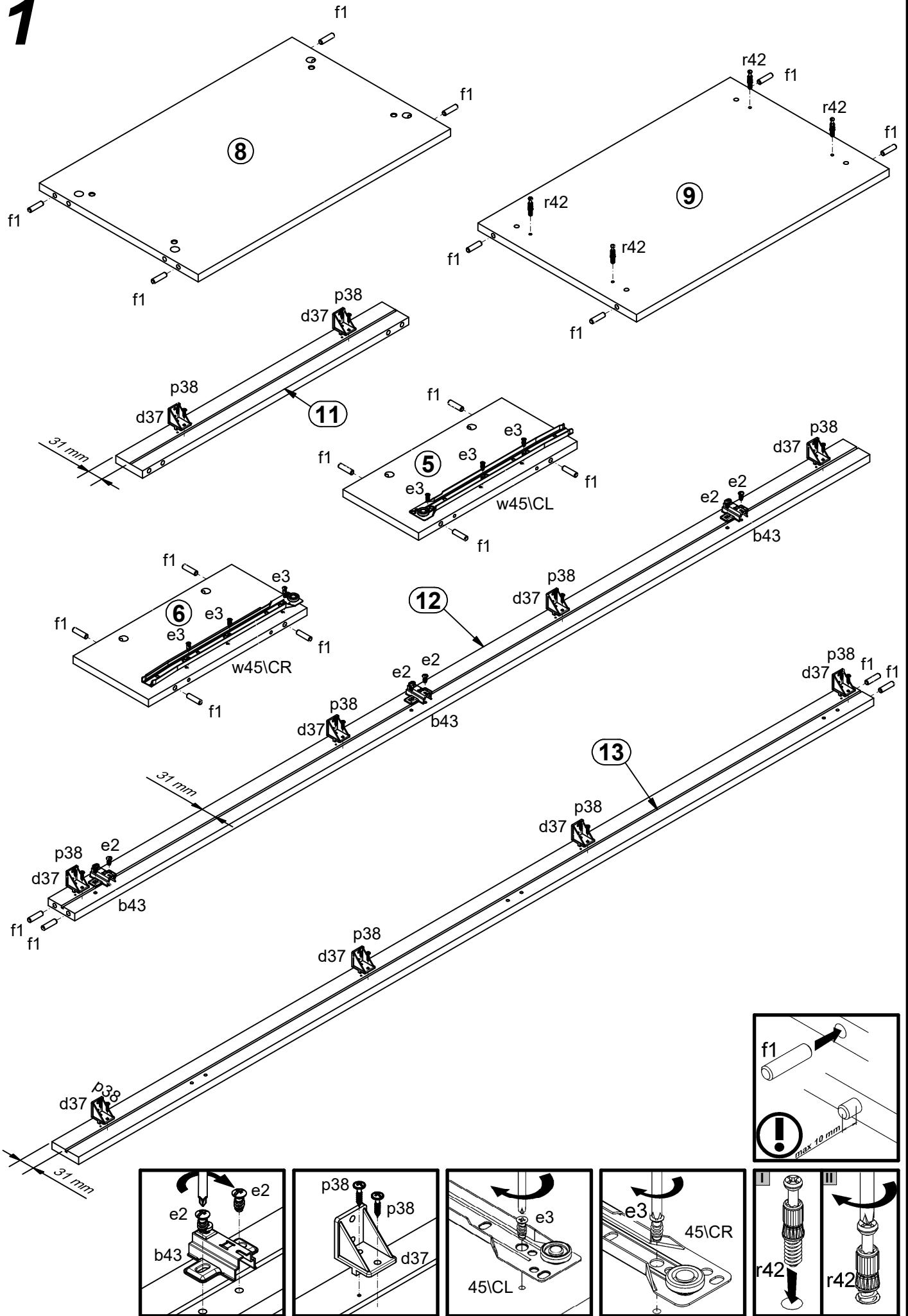


A	B	C	D
1	S382-0010	1634	490 3/4
2	S382-0011	490	196 4/4
3	S382-1019	1900	370 1/4
4	S382-1020	1900	370 1/4
5	S382-1021	176	370 1/4
6	S382-1022	176	370 1/4
7	S382-2006	620	370 2/4
8	S382-3011	589	370 2/4
9	S382-3012	589	370 2/4
10	S382-3014	588	368 2/4
11	S382-5015	621	62 1/4
12	S382-5016	1854	62 1/4
13	S382-5017	1854	62 1/4
14	S382-9006	458	348 2/4
15	S382-9303	1895	615 1/4
16	ZS4-5508	447	140 1/4
17	ZS6-501	350	140 1/4
18	ZS6-502	350	140 1/4

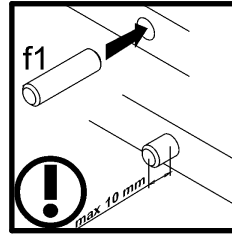
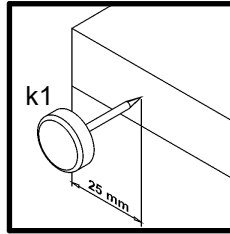
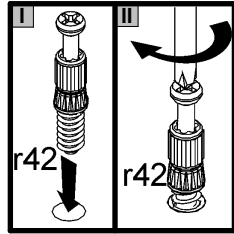
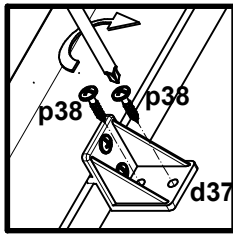
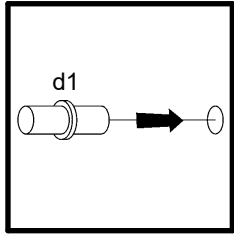
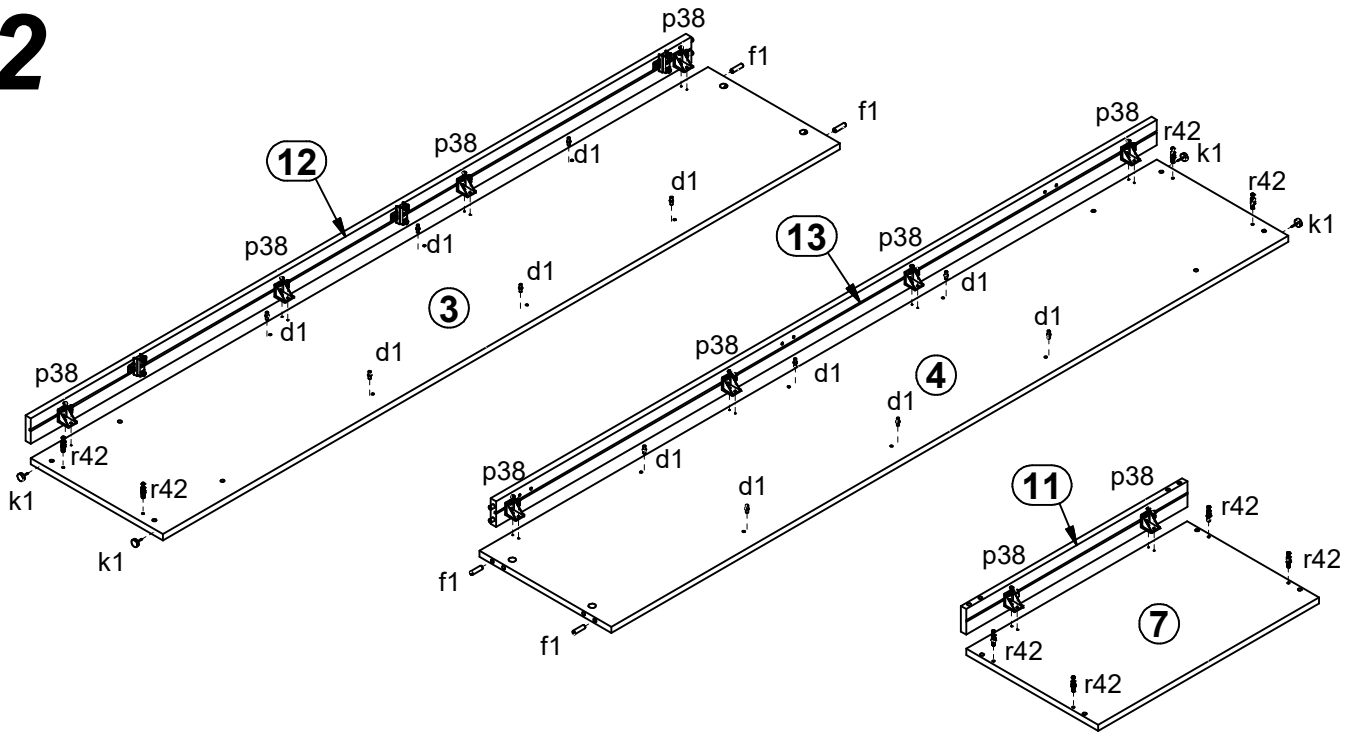


3x a132	3x b43	2x c328 128 mm	12x d1 Ø5x17 mm	10x d37	4x e1 Ø7x50 mm	4x e19 Ø5x9 mm	6x e2 Ø6.3x13 mm	6x e3 Ø6x13 mm
24x f1 Ø8x30 mm	2x f9 Ø6x30 mm	4x f25 Ø6.5x40 mm	4x k1	55x l1	40x p38 Ø3.5x16 mm	6x p51 Ø3.5x15 mm	4x p60 Ø4x22 mm	12x r1 Ø15x12 mm #16
4x r15 Ø12x10.5 mm #12	16x r42 20/11	1x w45\CL 350 mm	1x w45\CR 350 mm	1x w45\DL 350 mm	1x w45\DR 350 mm	4x s2 Ø16	1x z1 4 mm	
							1x n26\1	1x p38 Ø3.5x16 mm

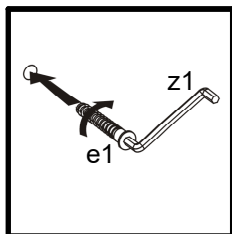
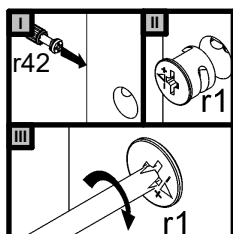
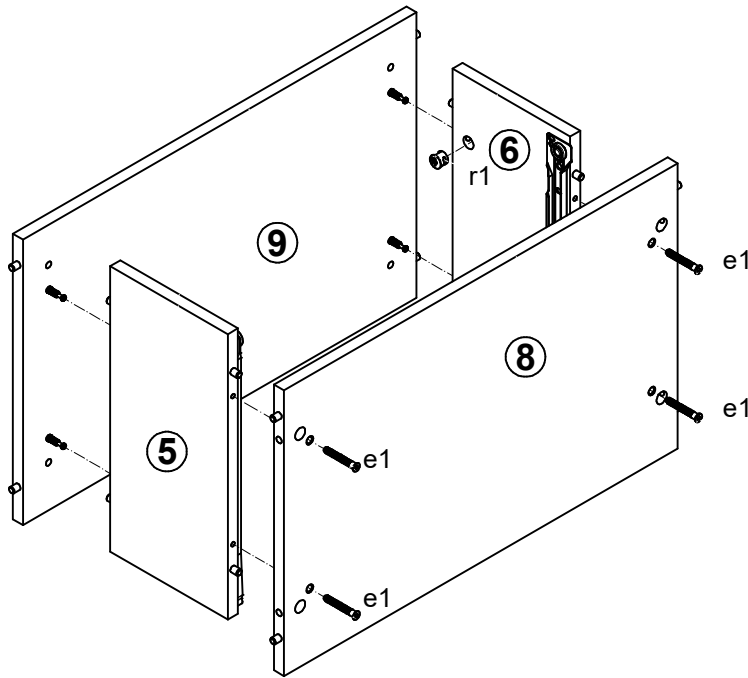
1



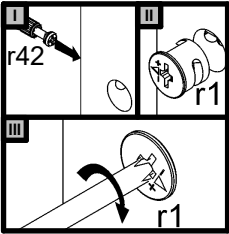
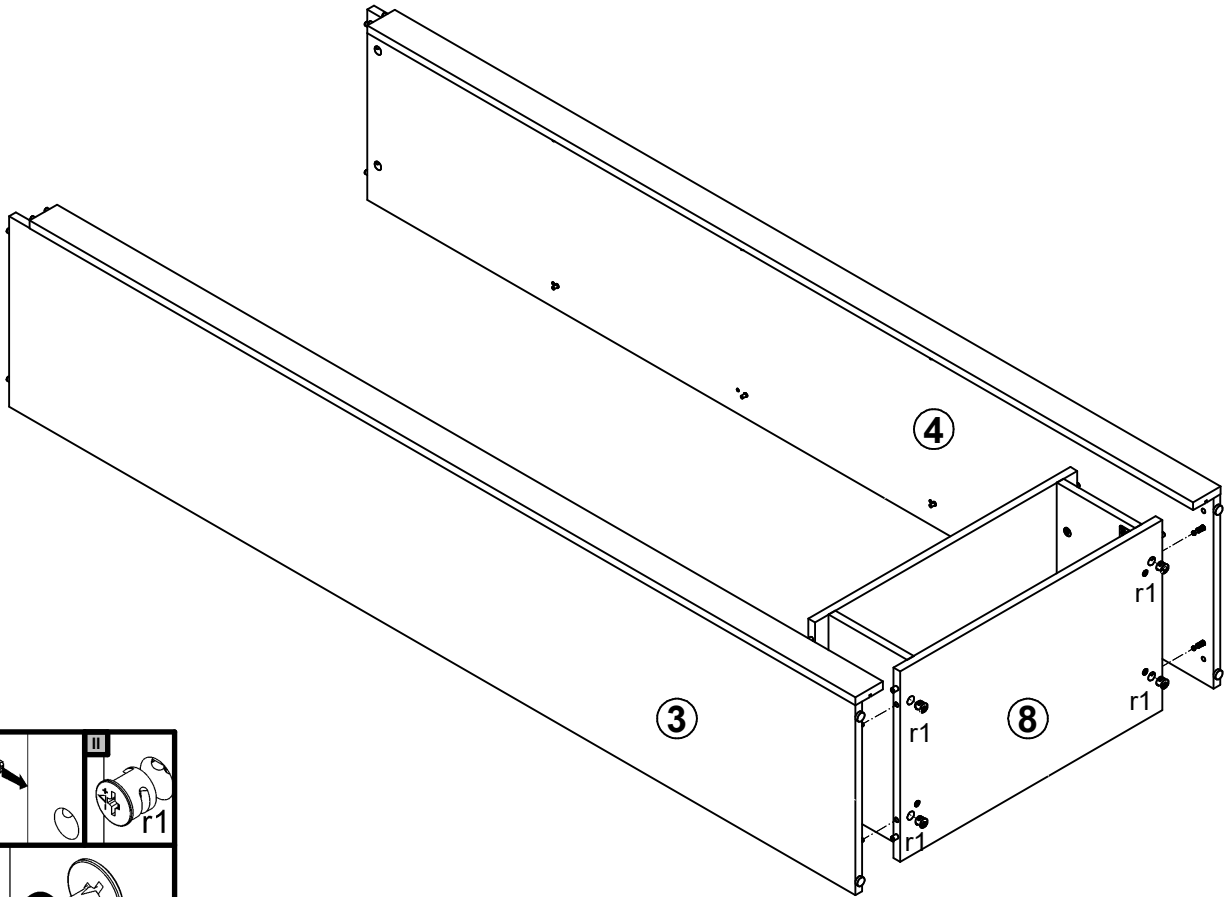
2



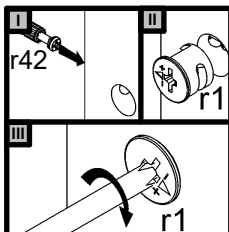
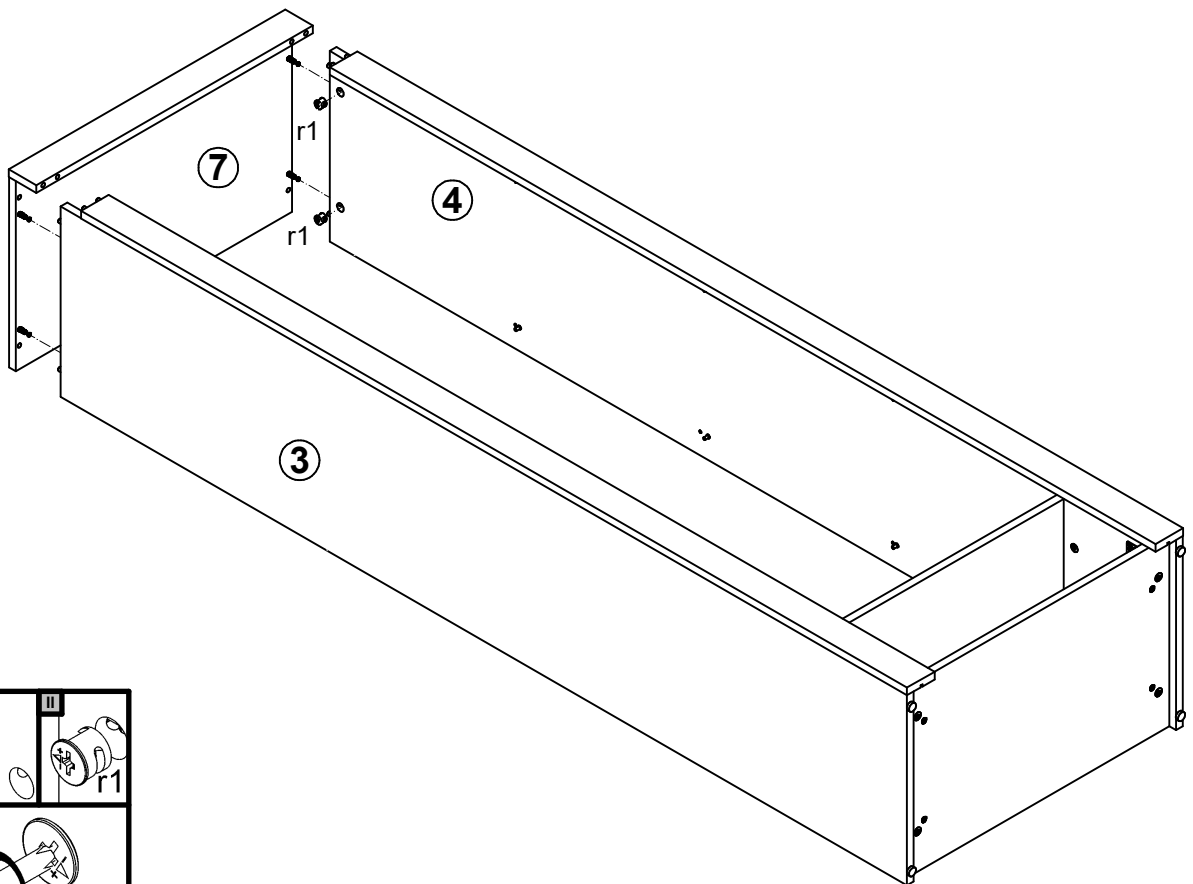
3



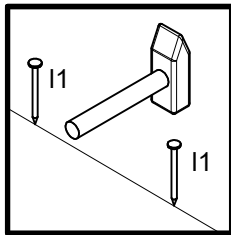
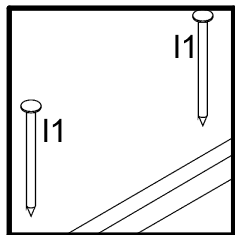
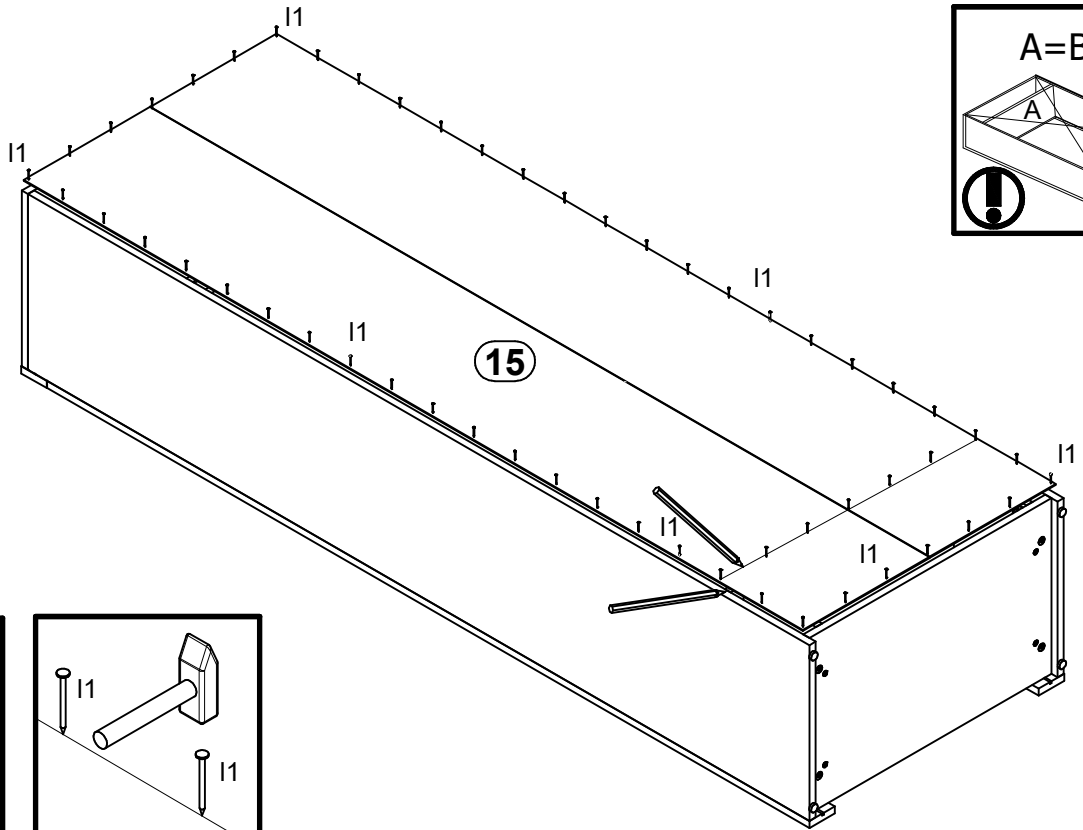
4



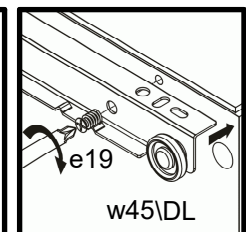
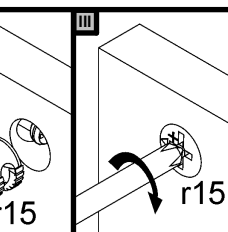
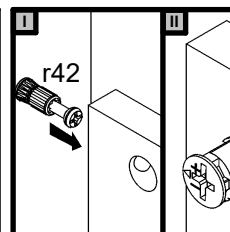
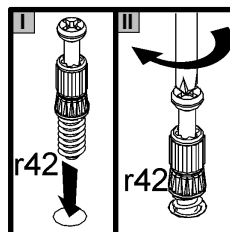
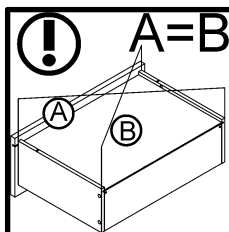
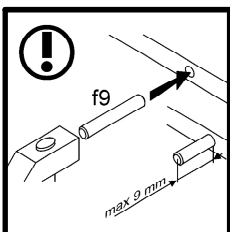
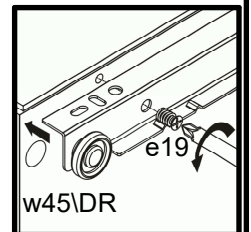
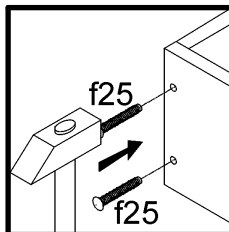
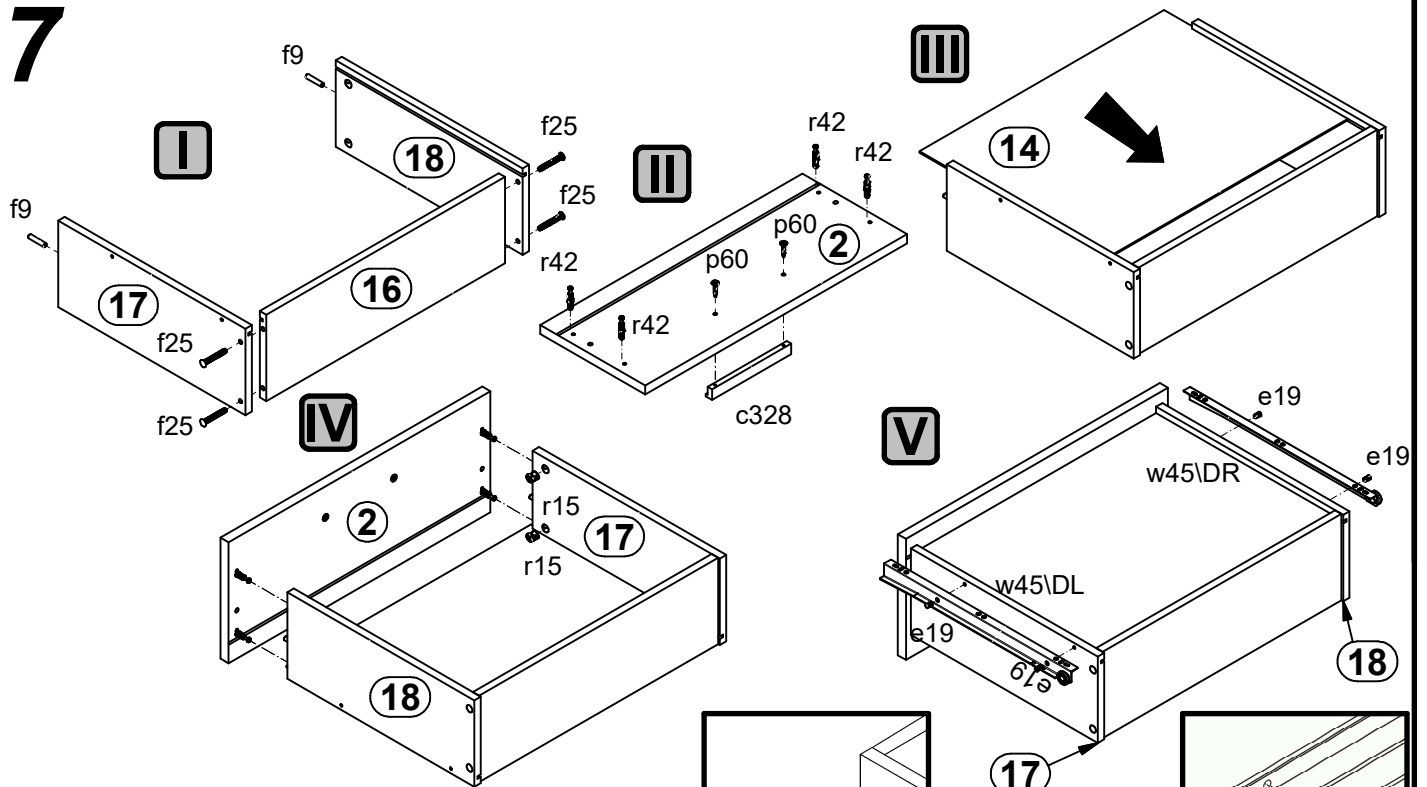
5



6



7



8

