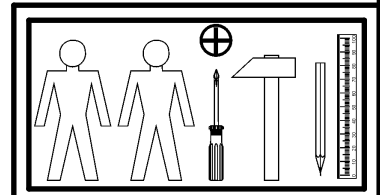
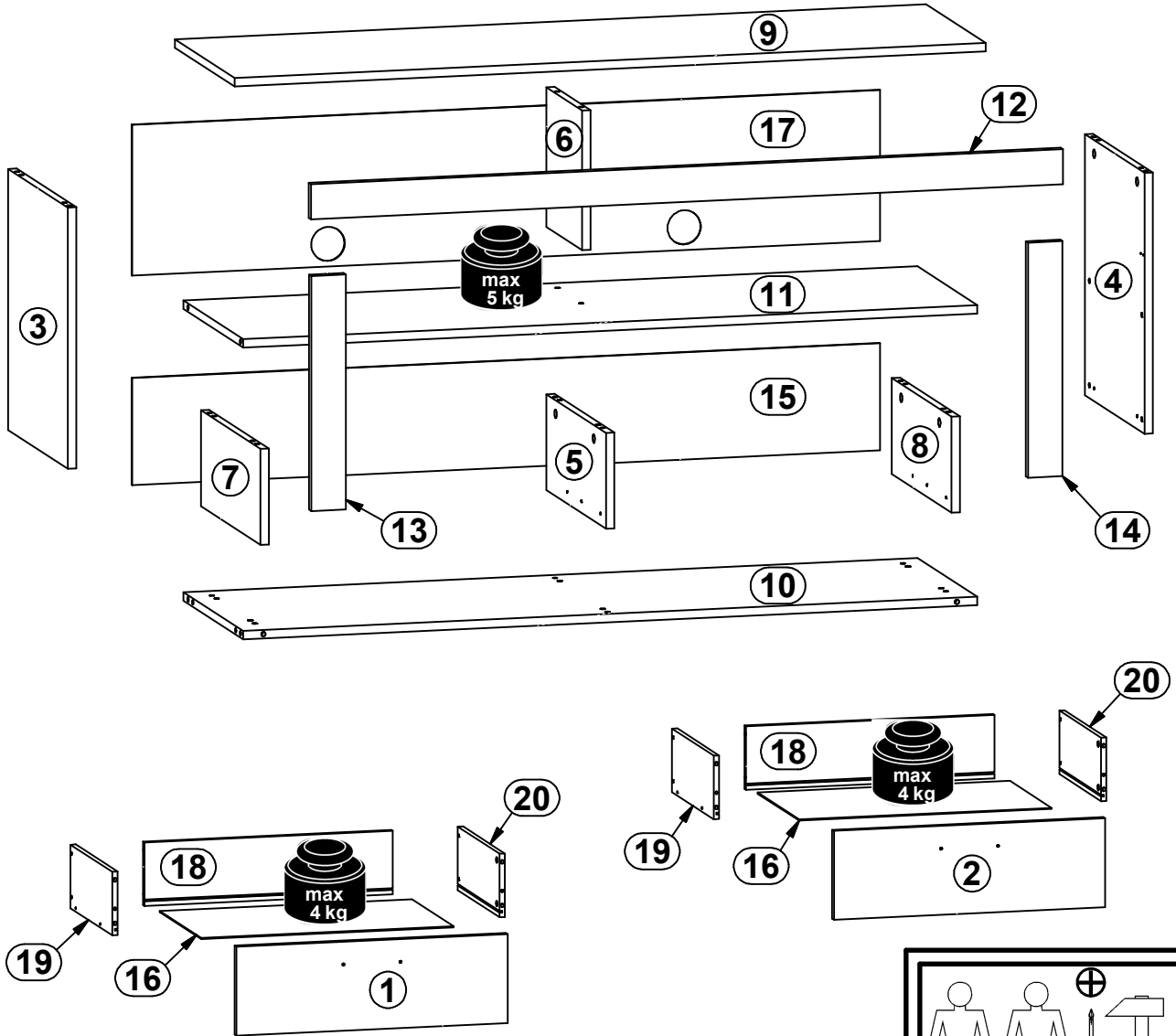
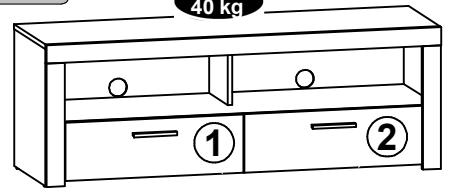
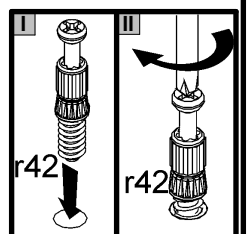
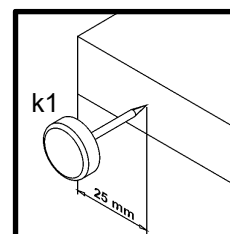
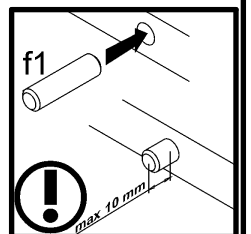
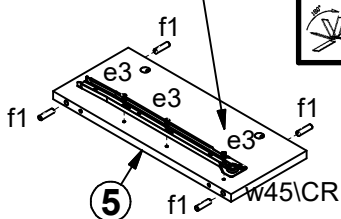
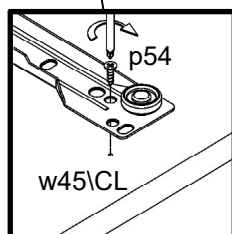
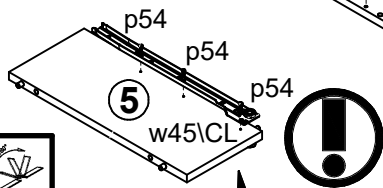
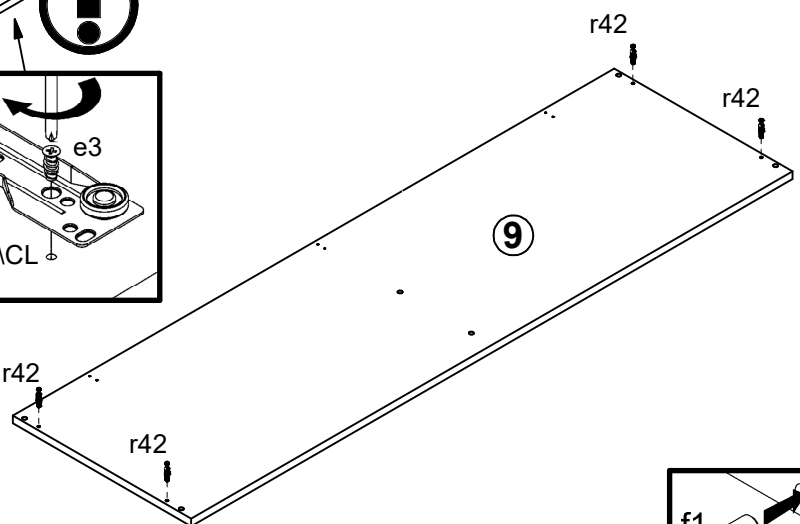
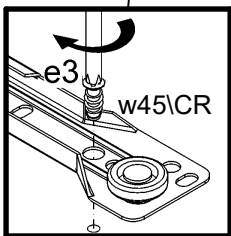
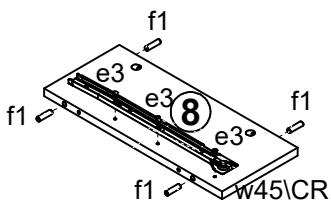
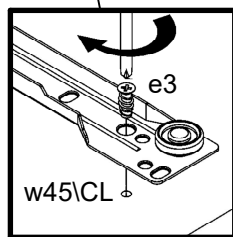
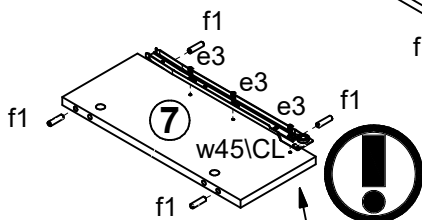
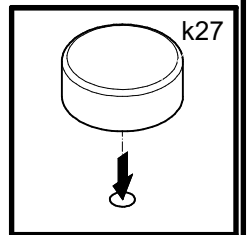
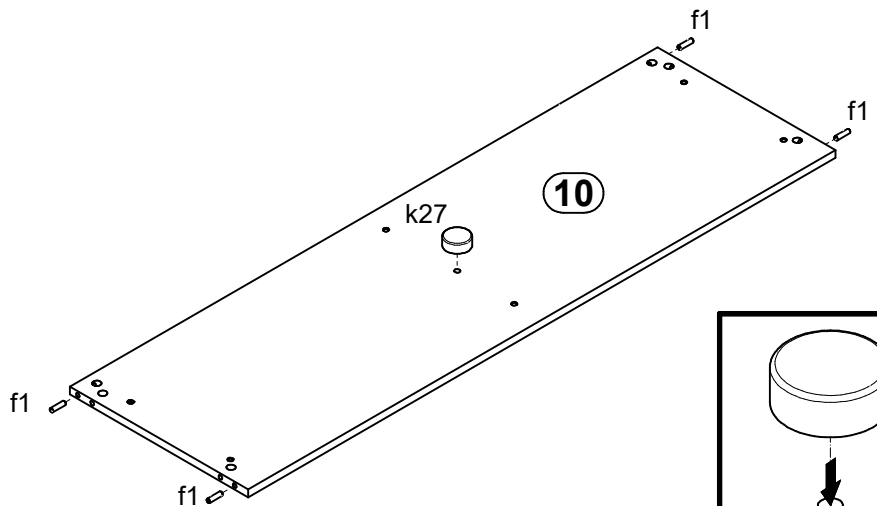
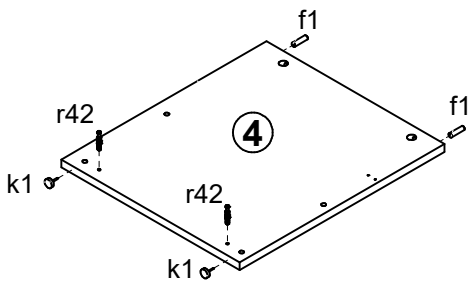
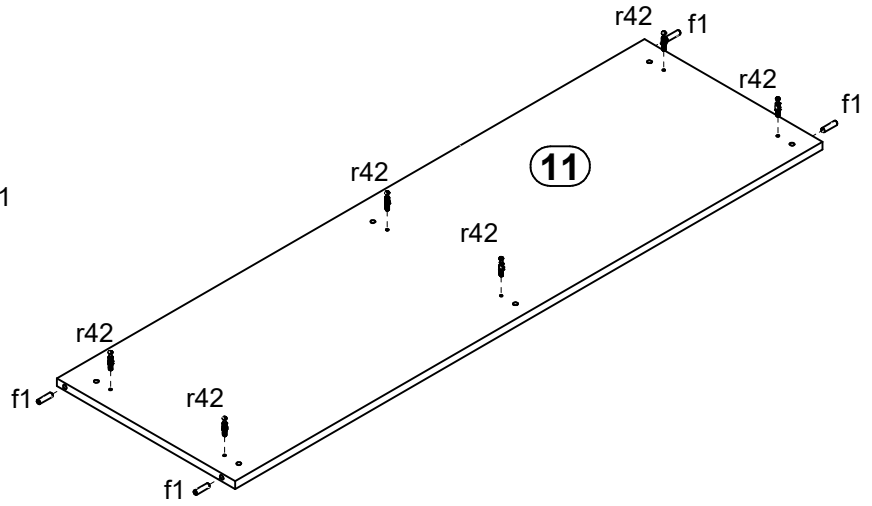
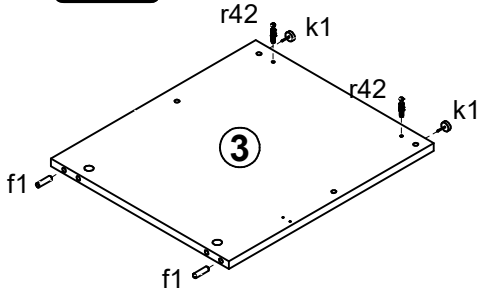


A	B	C	D	A	B	C	D		
1	S382-0004	609	196	4/4	11	S382-3006	1319	400	1/4
2	S382-0005	609	196	4/4	12	S382-5007	1351	62	3/4
3	S382-1007	460	400	2/4	13	S382-5008	414	62	3/4
4	S382-1008	460	400	2/4	14	S382-5009	414	62	3/4
5	S382-1009	169	400	2/4	15	S382-9003	1344	189	1/4
6	S382-1010	246	240	2/4	16	S382-9004	567	348	1/4
7	S382-1013	169	400	2/4	17	S382-9008	266	1344	1/4
8	S382-1014	169	400	2/4	18	ZS4-5506	558	140	1/4
9	S382-2003	1350	400	1/4	19	ZS6-501	350	140	1/4
10	S382-3005	1319	400	1/4	20	ZS6-502	350	140	1/4

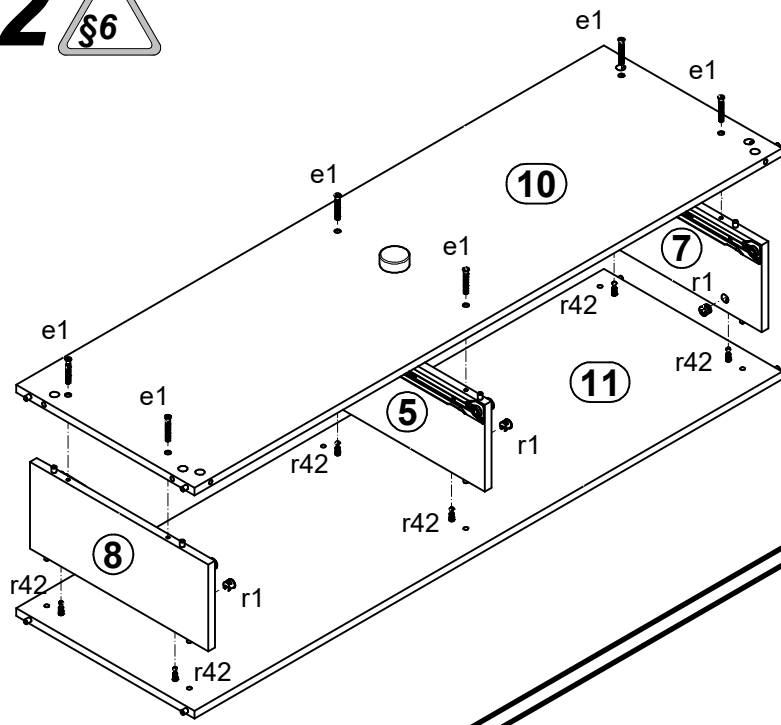
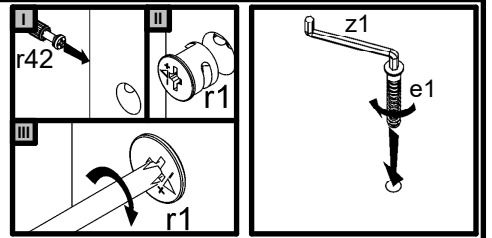


2x 128 mm c328	5x d37	6x Ø7x50 mm e1	9x Ø6x13 mm e3	8x Ø5x9 mm e19	32x Ø8x30 mm f1	4x Ø6x30 mm f9	8x Ø6.5x40 mm f25	4x k1
1x k27	60x l1	4x Ø3.5x16 mm p25	20x Ø3.5x16 mm p38	3x Ø3x12 mm p54	4x Ø4x22 mm p60	16x Ø15x12 mm #16 r1	8x Ø12x10.5 mm #12 r15	24x 20x11 r42
2x 333 mm t19	2x 350 mm w45\CL	2x 350 mm w45\CR	2x 350 mm w45\DL	2x 350 mm w45\DR	6x Ø16 s2	1x 4 mm z1	1x n26\1	1x Ø3.5x16 mm p38

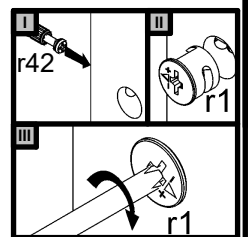
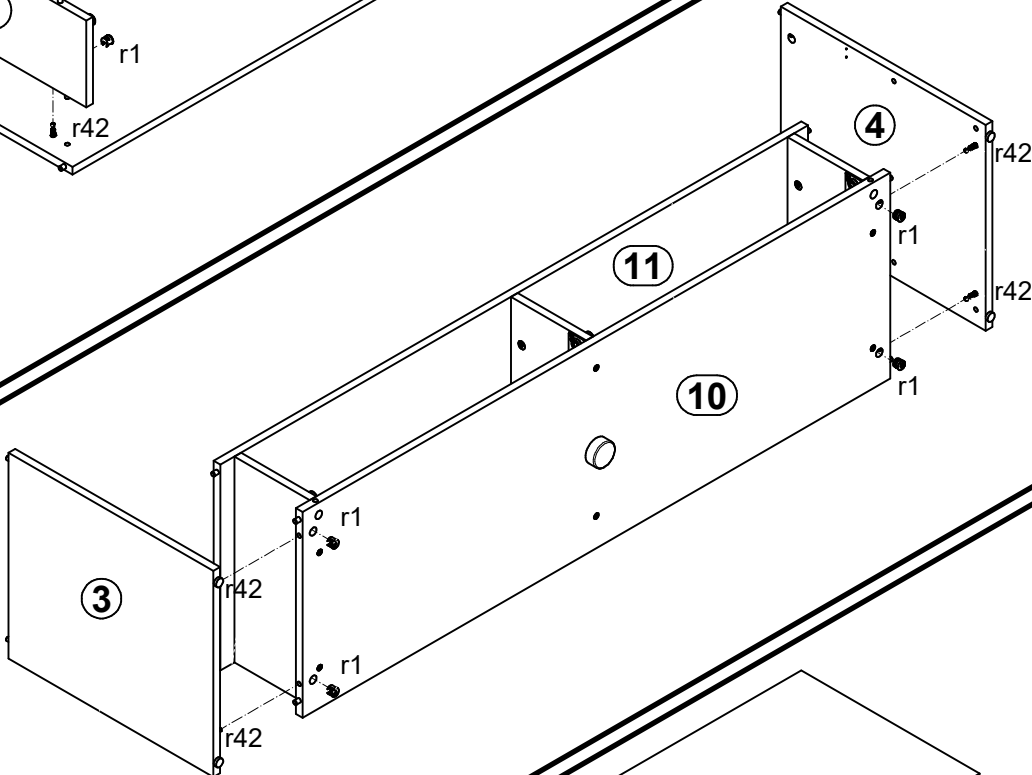
1 



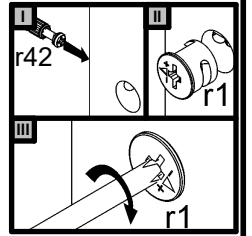
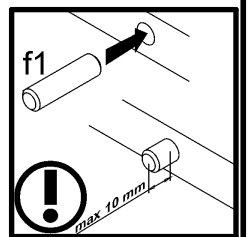
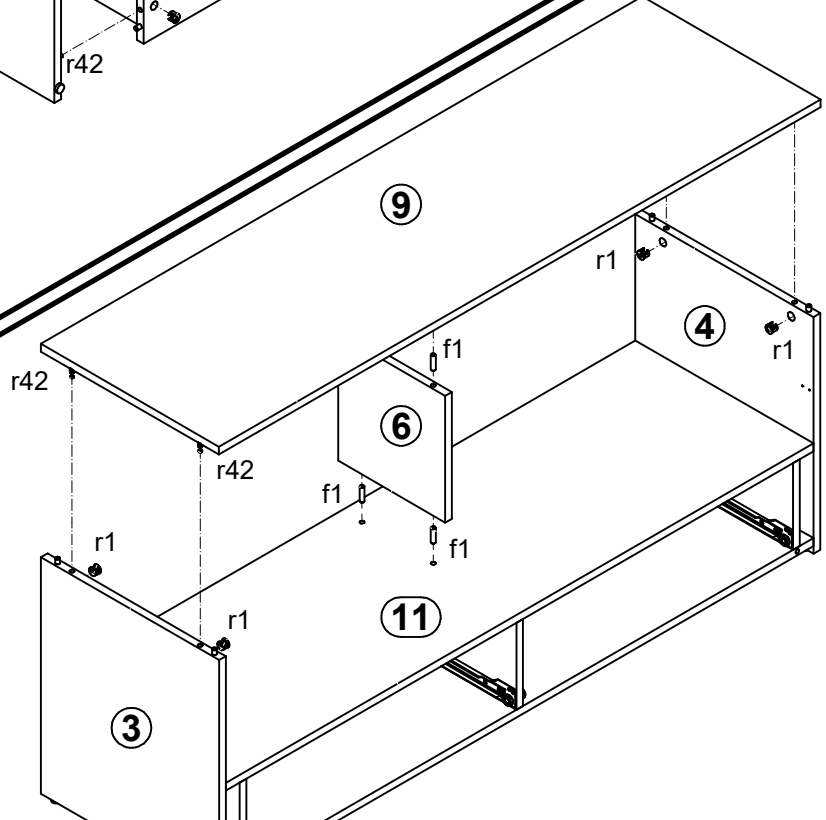
2 



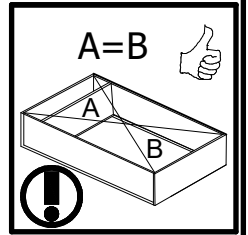
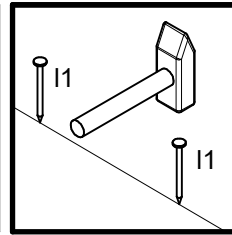
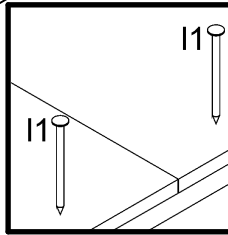
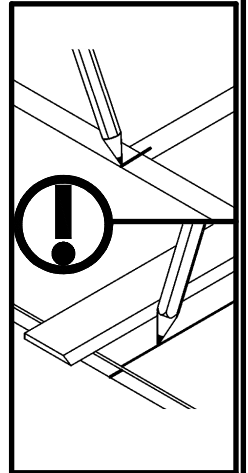
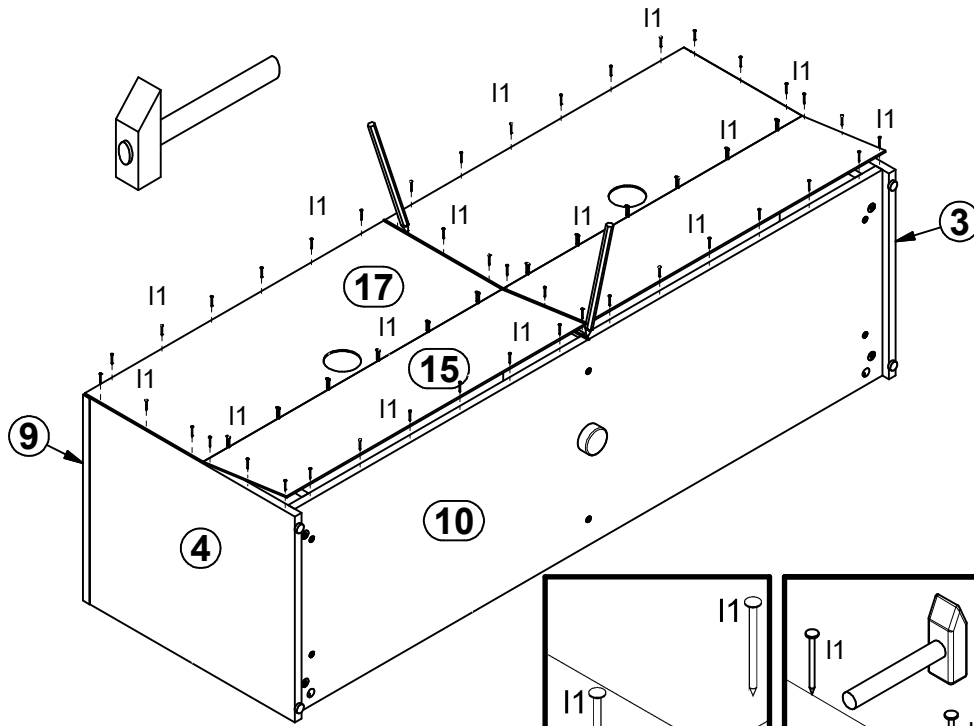
3



4



5



6

