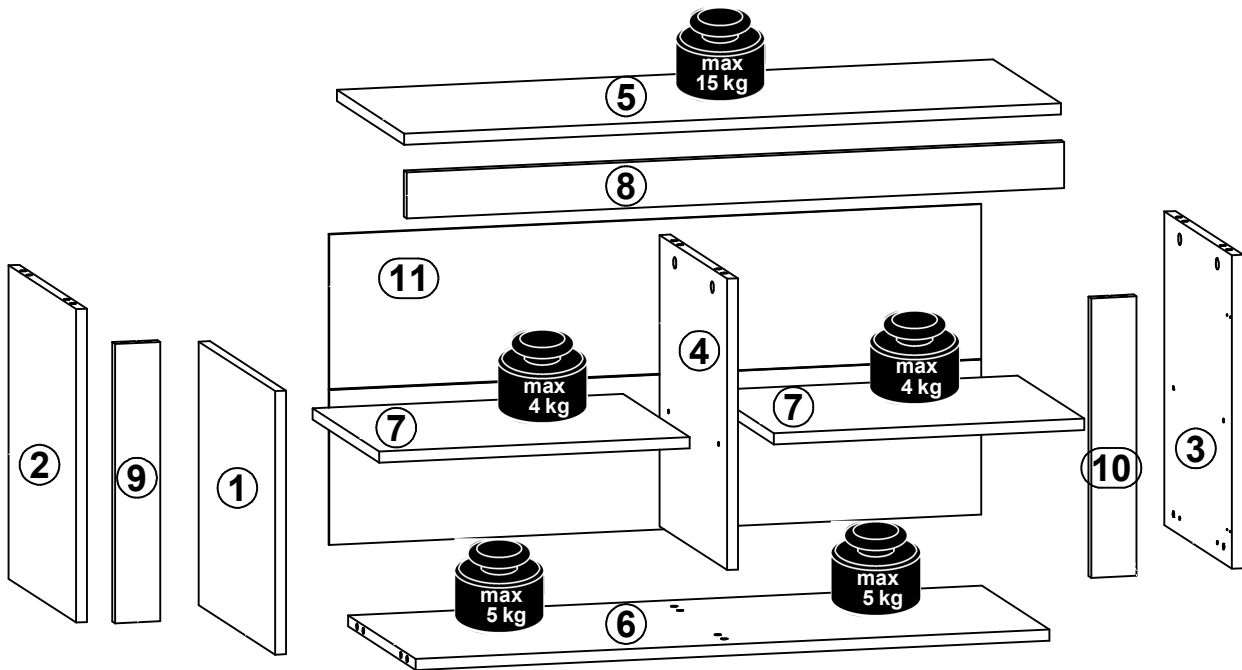
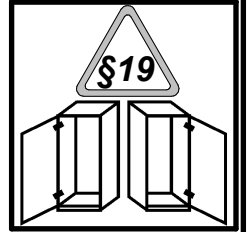
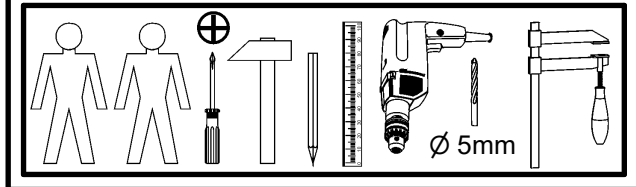


A

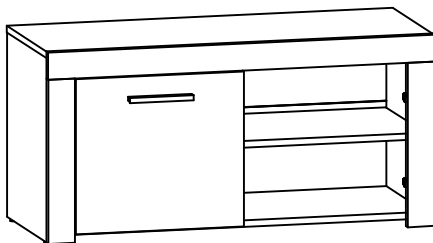
BALDER

S382-SFK1D

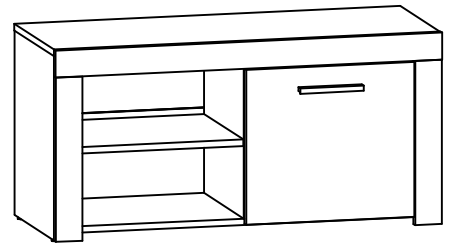
A	B	C	D
1	S382-0019	354	391
2	S382-1033	421	345
3	S382-1034	421	345
4	S382-1035	391	345
5	S382-2010	899	345
6	S382-3020	868	345
7	S382-3021	425	340
8	S382-5010	900	62
9	S382-5028	375	62
10	S382-5029	375	62
11	S382-9307	893	417



A

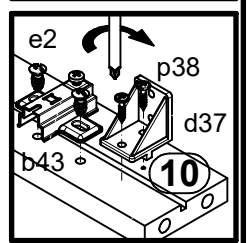
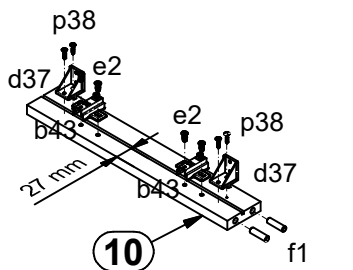
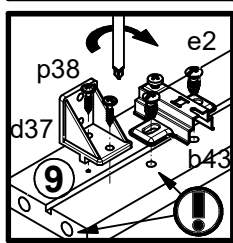
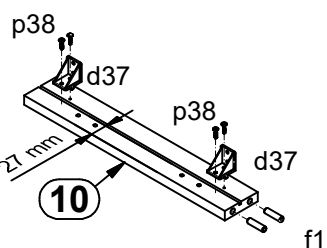
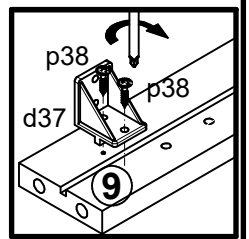
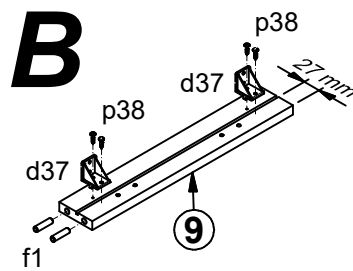
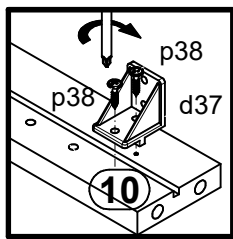
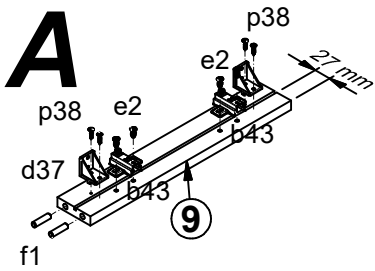
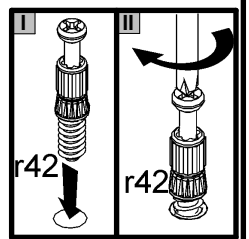
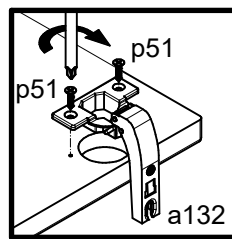
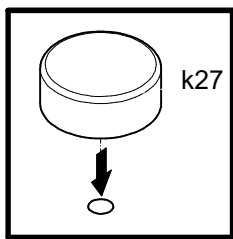
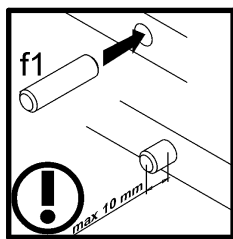
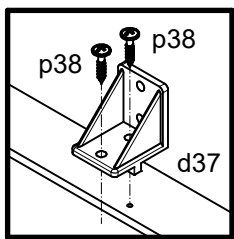
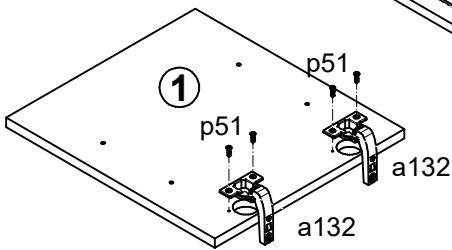
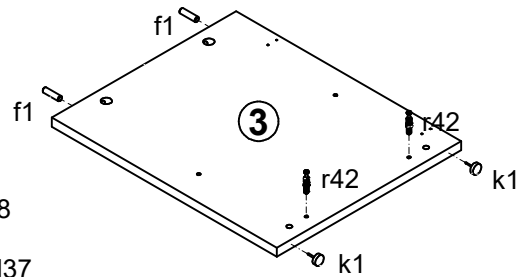
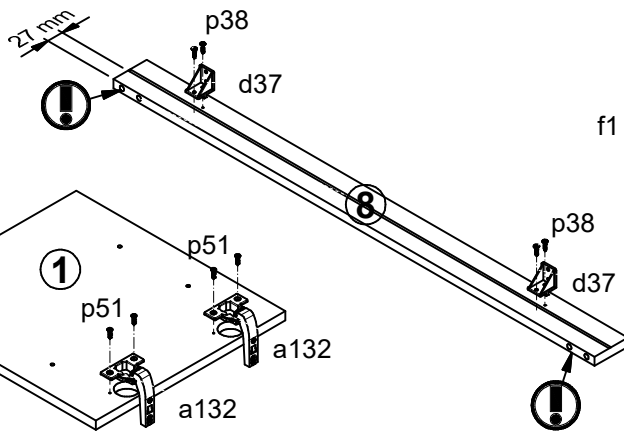
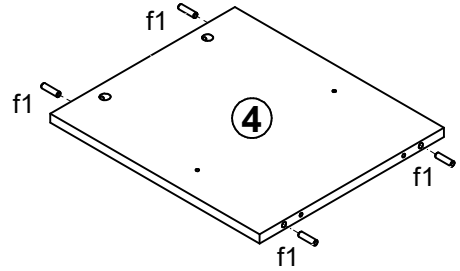
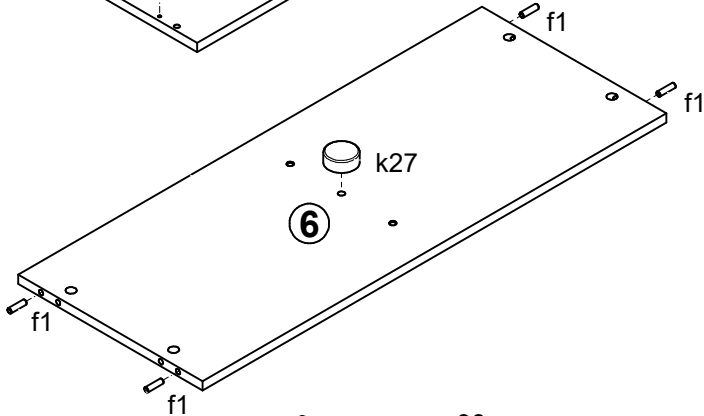
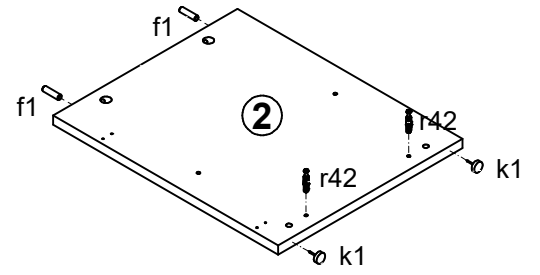
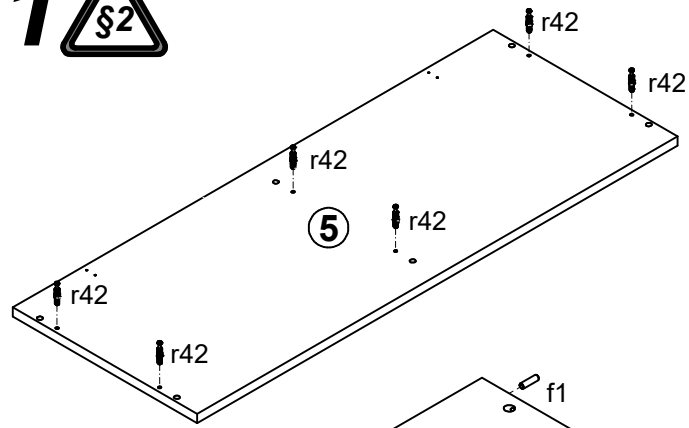


B

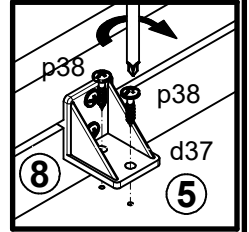
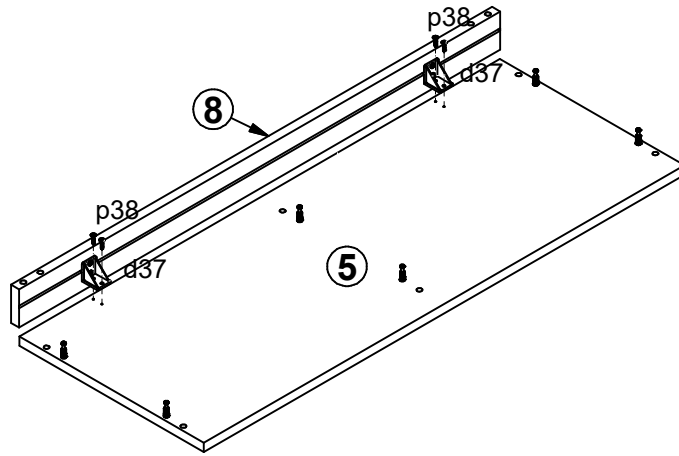


2x a132	2x b43	1x c328 128 mm	8x d1 Ø5x17 mm	6x d37	2x e1 Ø7x50 mm	4x e2 Ø6.3x13 mm	16x f1 Ø8x30 mm	4x k1
1x k27	25x l1 1.4x20 mm	24x p38 Ø3.5x16 mm	4x p51 Ø3.5x15 mm	2x p60 Ø4x22 mm	10x r1 Ø15x12 mm #16	10x r42 2Ø11	6x s2 Ø16	1x z1 4 mm

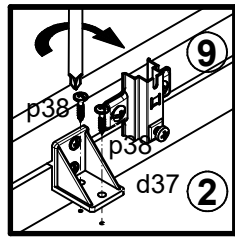
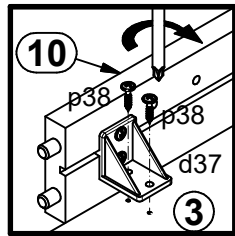
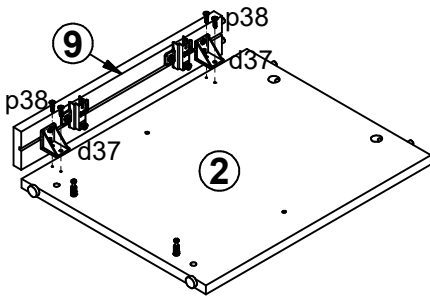
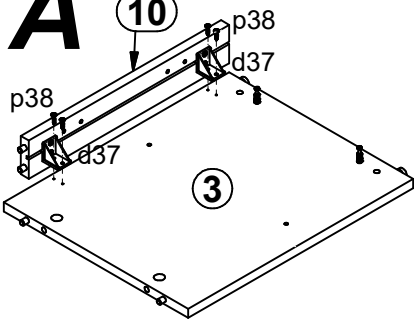
1 



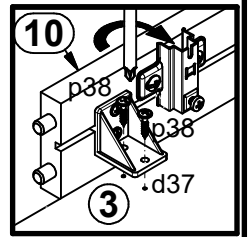
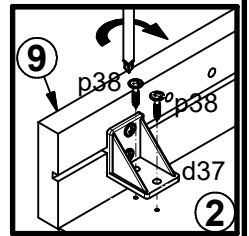
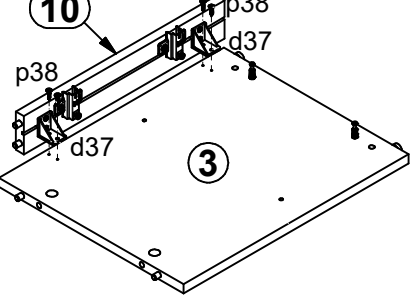
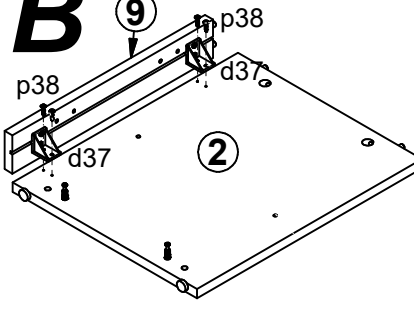
2



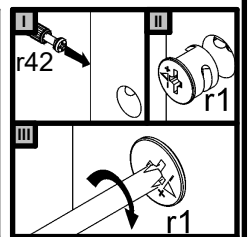
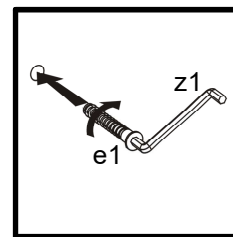
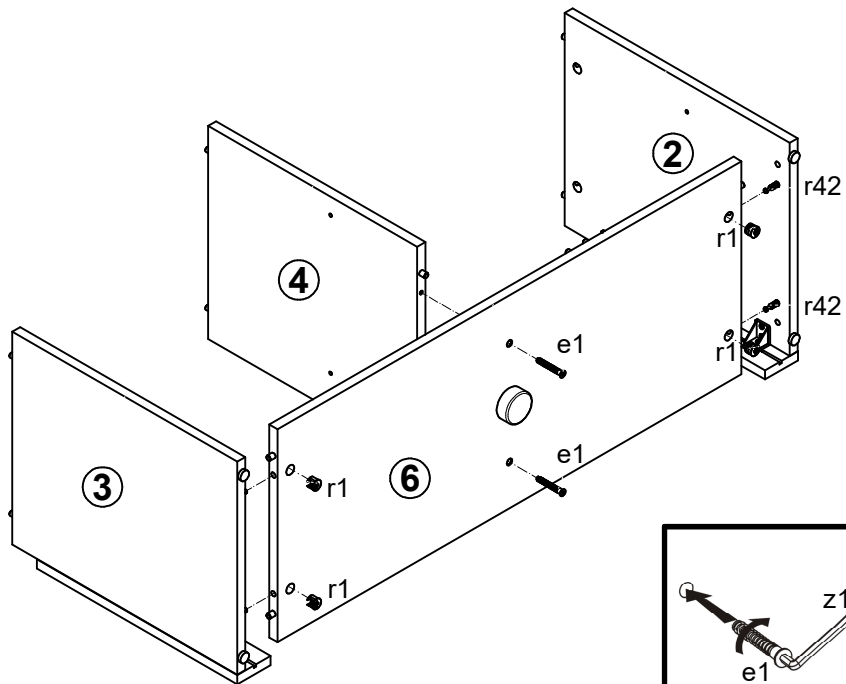
A



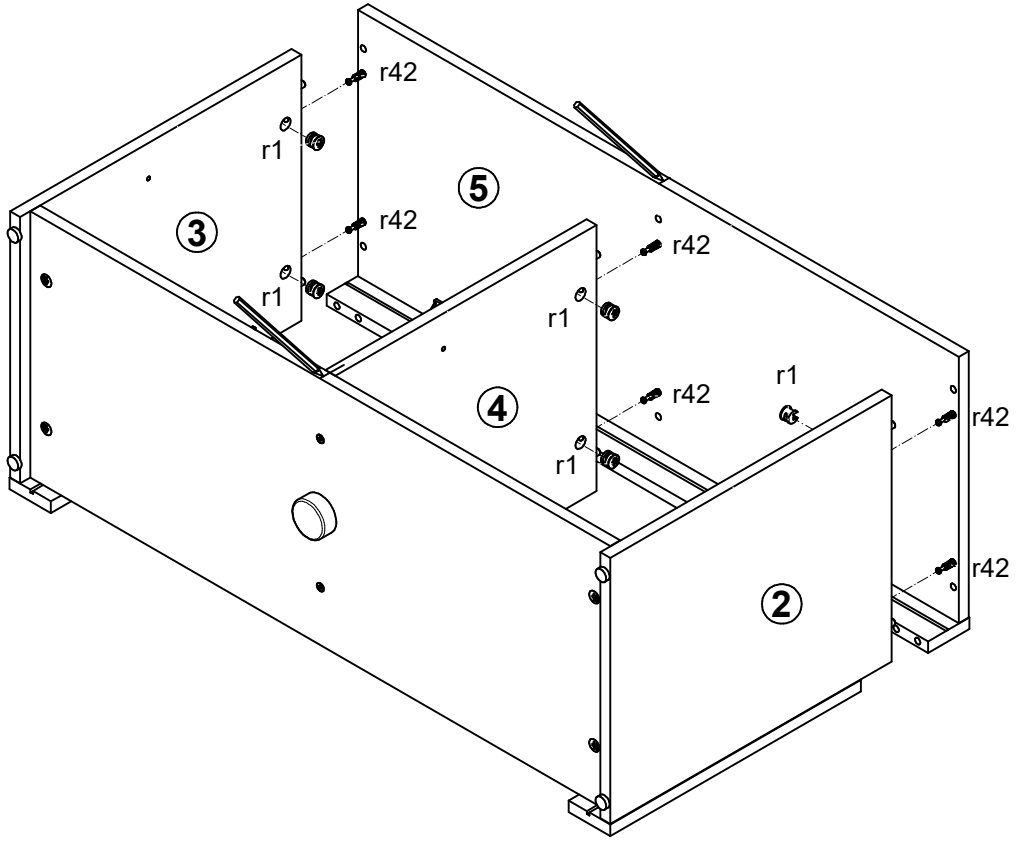
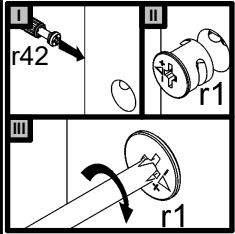
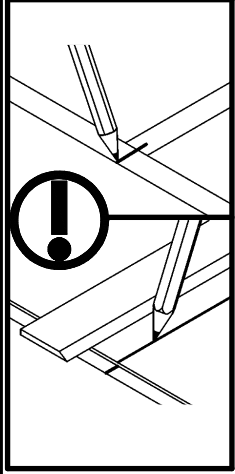
B



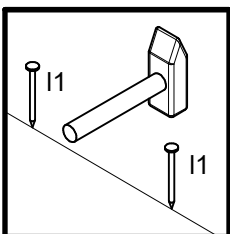
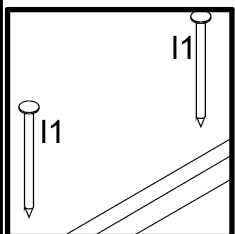
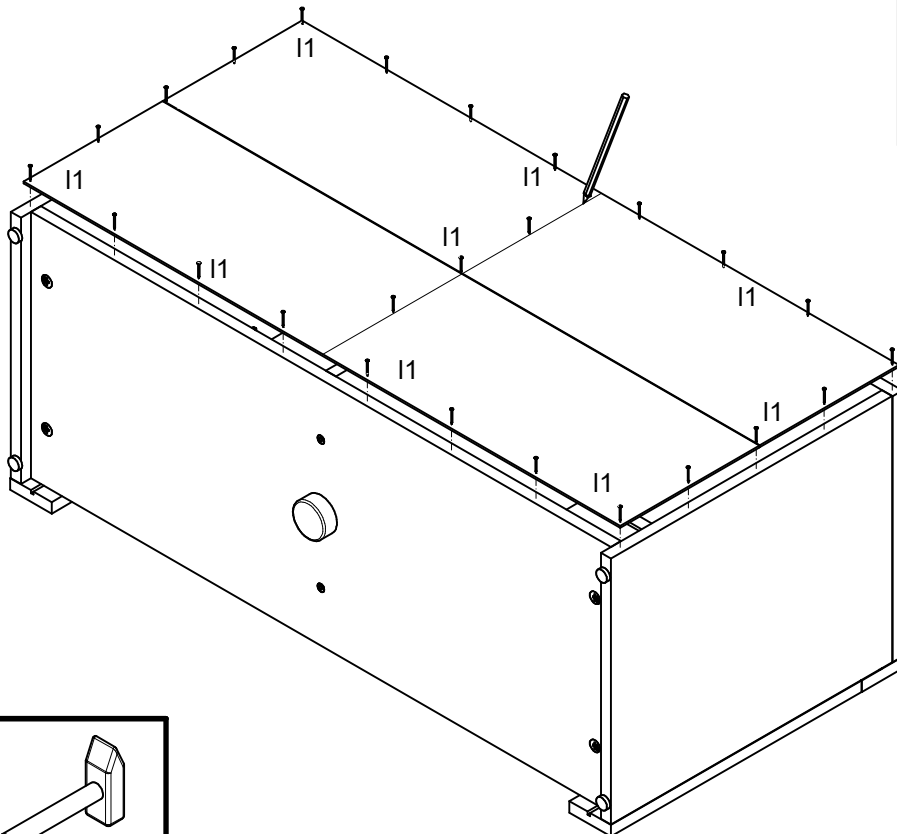
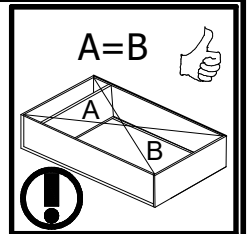
3



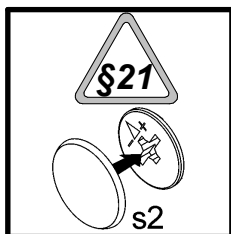
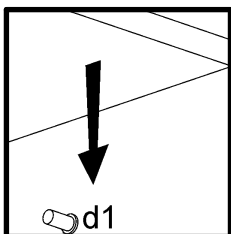
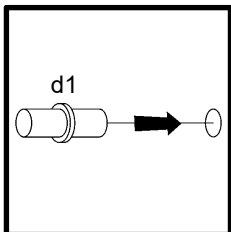
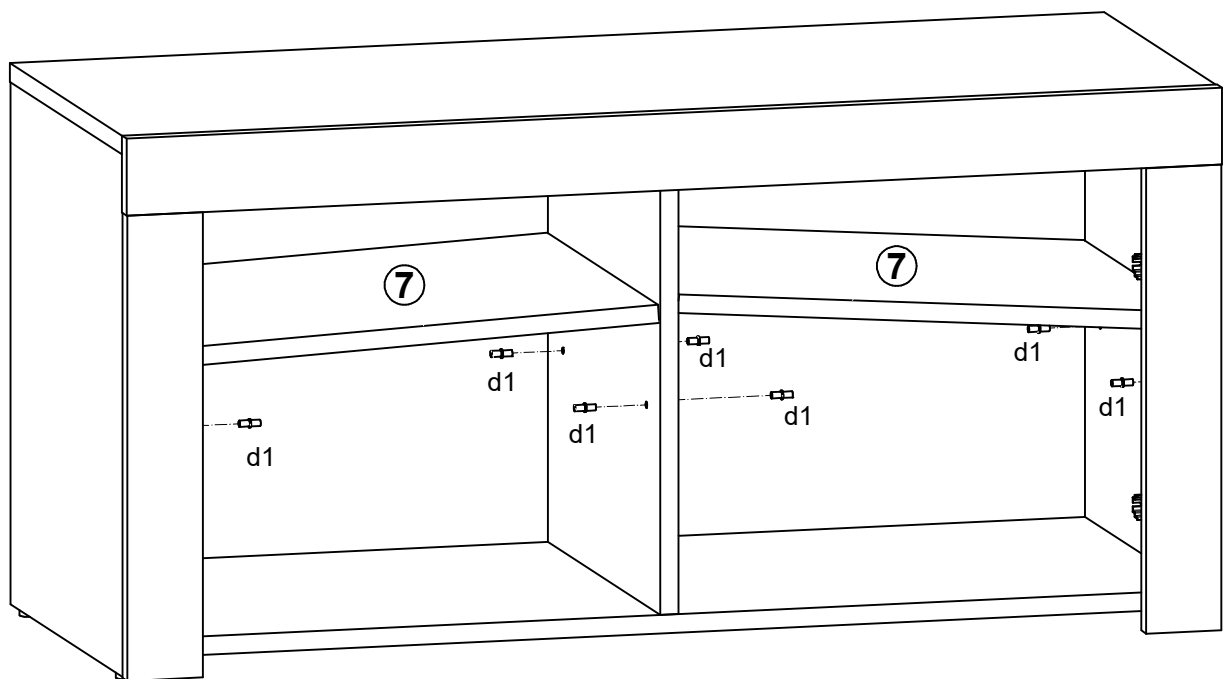
4



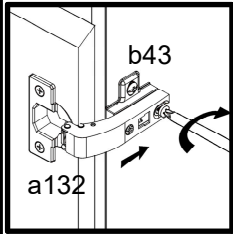
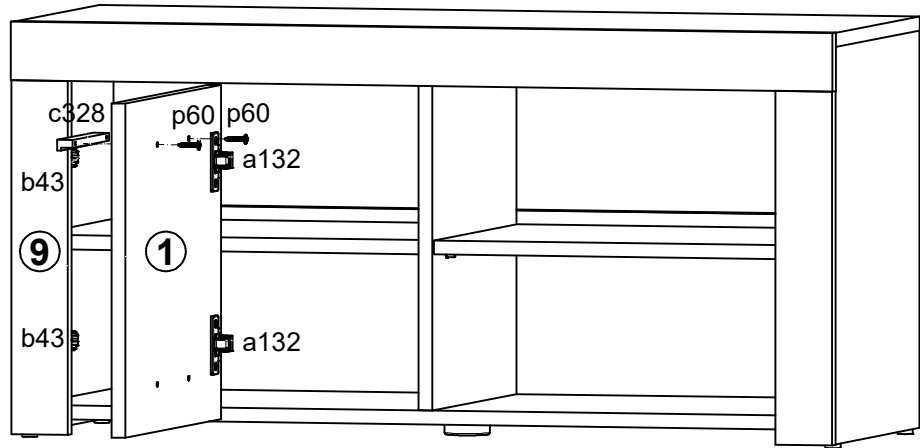
5



6



7A



7B

