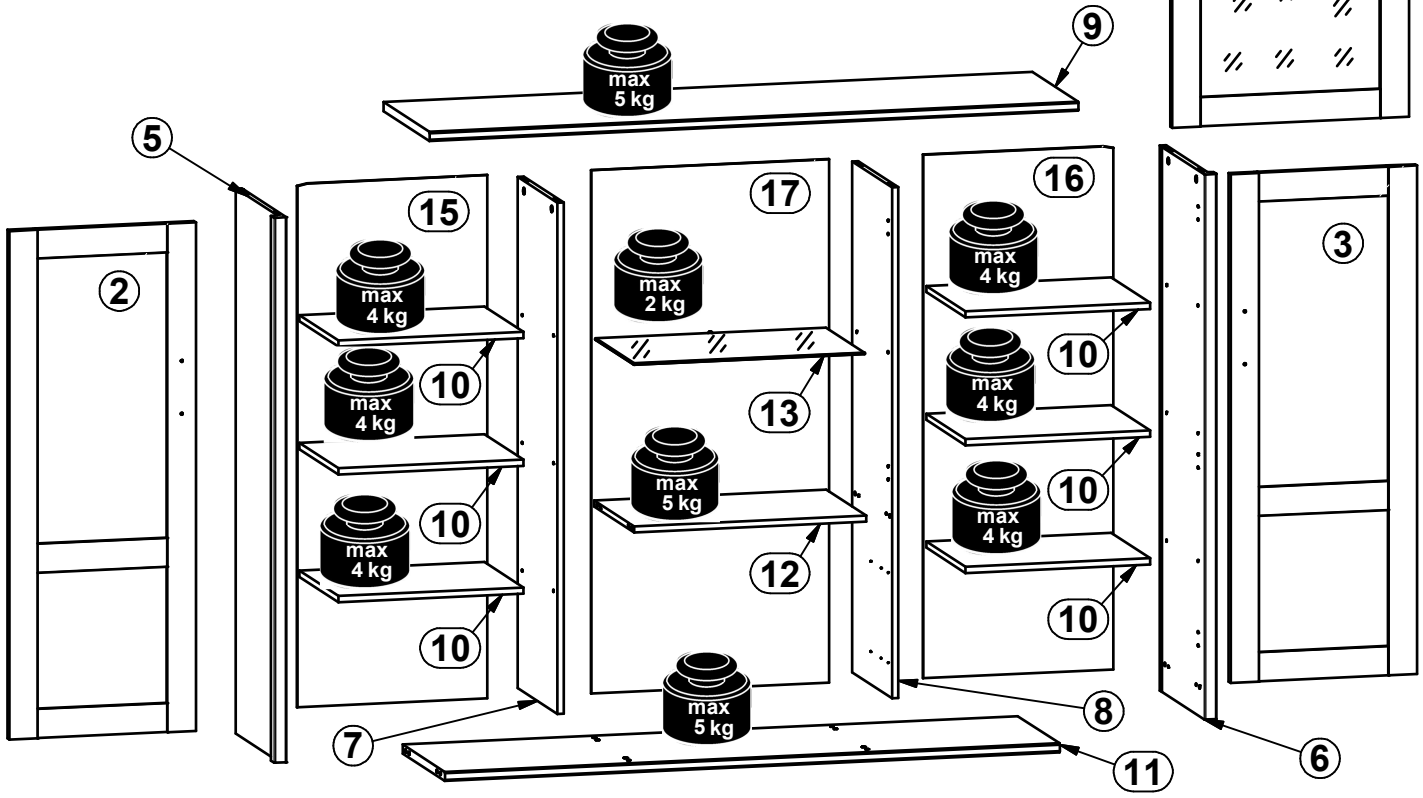
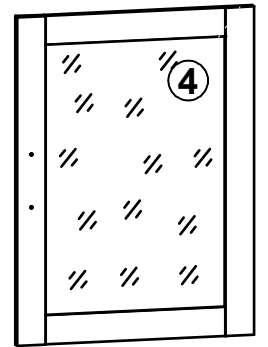
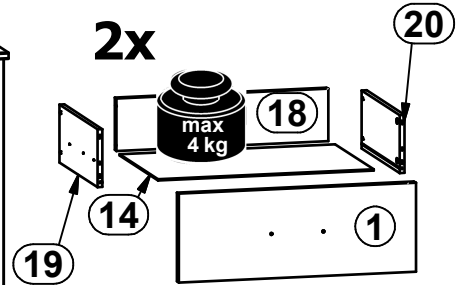
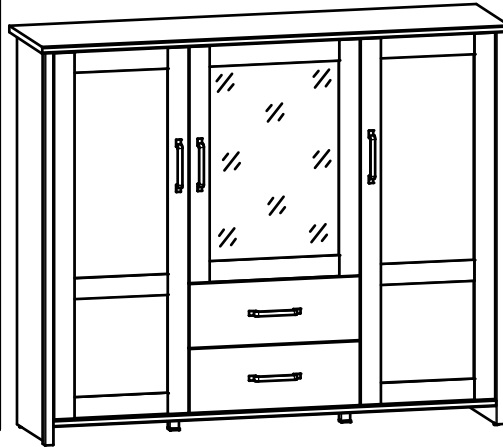
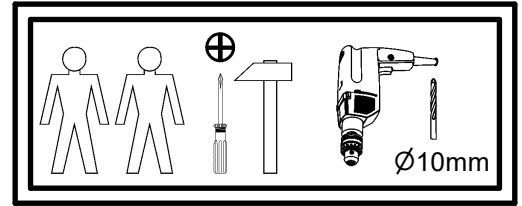


**A**

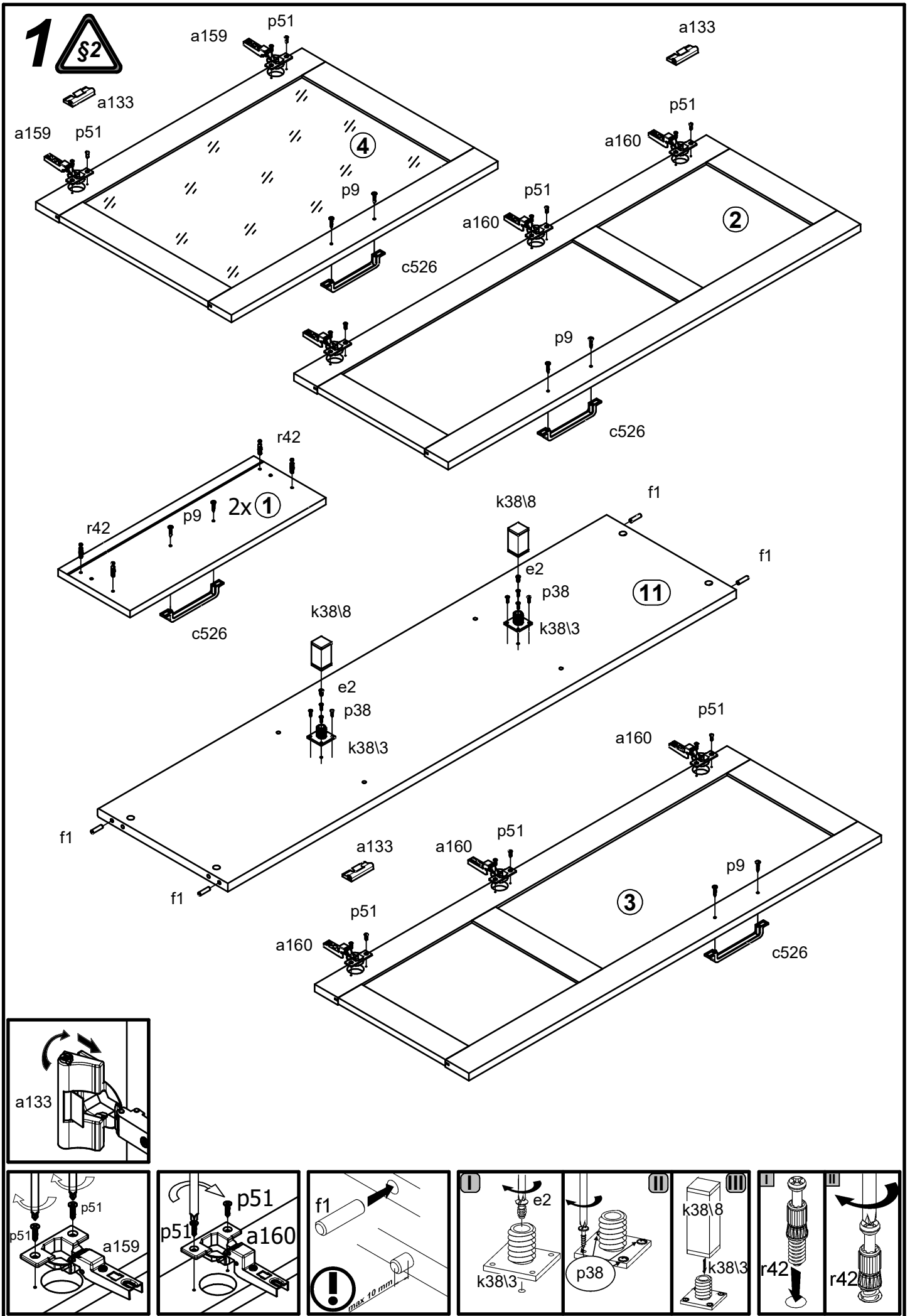
**LOKSA**

**S455-REG2D1W2S**

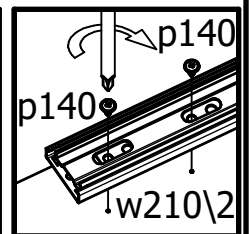
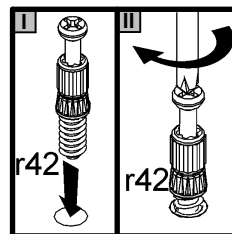
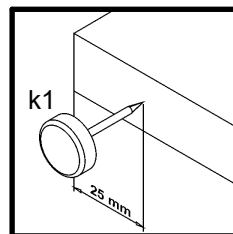
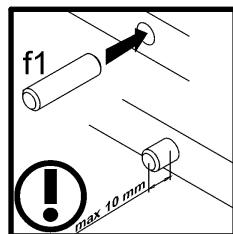
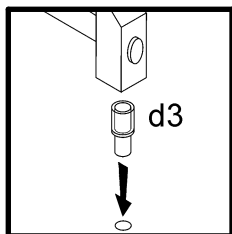
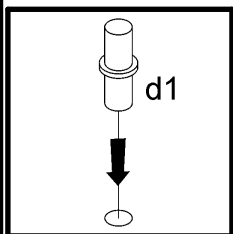
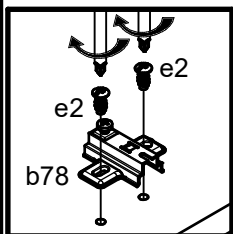
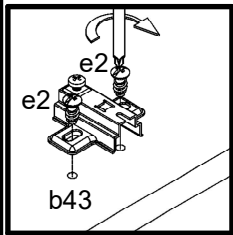
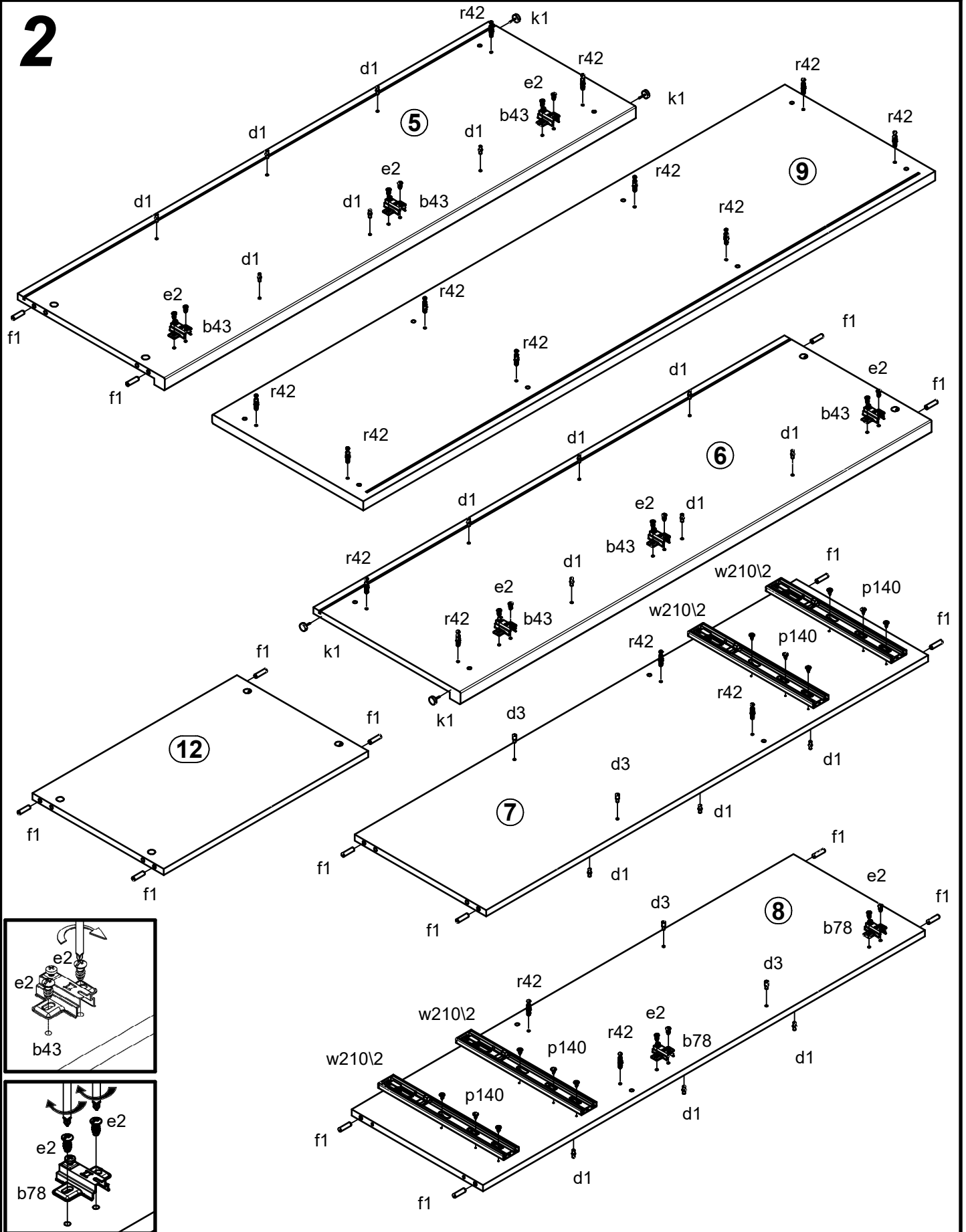
| A  | B         | C    | D   |     |
|----|-----------|------|-----|-----|
| 1  | S455-0019 | 584  | 215 | 3/3 |
| 2  | S455-0022 | 1230 | 460 | 3/3 |
| 3  | S455-0023 | 1230 | 460 | 3/3 |
| 4  | S455-0024 | 794  | 584 | 3/3 |
| 5  | S455-1027 | 1318 | 412 | 2/3 |
| 6  | S455-1028 | 1318 | 412 | 2/3 |
| 7  | S455-1029 | 1236 | 368 | 1/3 |
| 8  | S455-1030 | 1236 | 368 | 1/3 |
| 9  | S455-2012 | 1600 | 423 | 2/3 |
| 10 | S455-3007 | 456  | 360 | 1/3 |
| 11 | S455-3028 | 1516 | 389 | 2/3 |
| 12 | S455-3029 | 572  | 367 | 1/3 |
| 13 | S455-5055 | 570  | 355 | 1/3 |
| 14 | S455-9013 | 532  | 355 | 1/3 |
| 15 | S455-9014 | 1266 | 469 | 3/3 |
| 16 | S455-9015 | 1266 | 469 | 3/3 |
| 17 | S455-9016 | 1266 | 586 | 3/3 |
| 18 | ZK3-5048  | 522  | 127 | 1/3 |
| 19 | ZK4-513   | 350  | 140 | 1/3 |
| 20 | ZK4-514   | 350  | 140 | 1/3 |



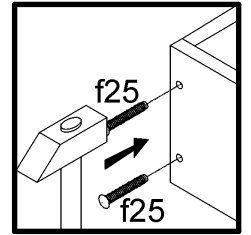
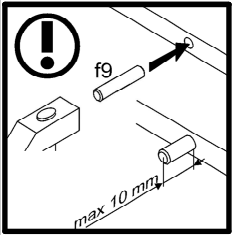
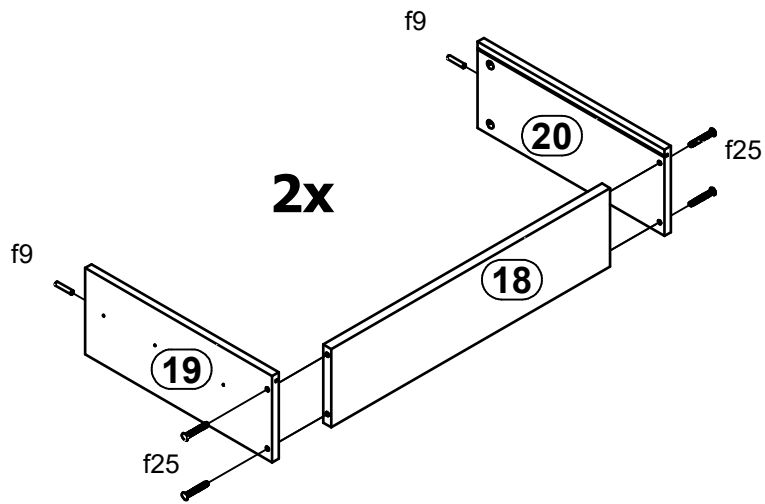
|                 |                 |                 |                |               |                  |                  |                |                |
|-----------------|-----------------|-----------------|----------------|---------------|------------------|------------------|----------------|----------------|
| 3x<br><br>a133  | 2x<br><br>a159  | 6x<br><br>a160  | 6x<br><br>b43  | 2x<br><br>b78 | 5x<br><br>c526   | 24x<br><br>d1    | 4x<br><br>d3   | 4x<br><br>e1   |
| 18x<br><br>e2   | 20x<br><br>f1   | 4x<br><br>f9    | 8x<br><br>f25  | 4x<br><br>k1  | 2x<br><br>k38/3  | 2x<br><br>k38/8  | 20x<br><br>l1  | 9x<br><br>l2   |
| 12x<br><br>n108 | 1x<br><br>o43/6 | 4x<br><br>o43/8 | 10x<br><br>p9  | 2x<br><br>p25 | 2x<br><br>p35    | 17x<br><br>p38   | 16x<br><br>p51 | 12x<br><br>p55 |
| 24x<br><br>p140 | 16x<br><br>r1   | 8x<br><br>r15   | 24x<br><br>r42 | 2x<br><br>t35 | 4x<br><br>w210/1 | 4x<br><br>w210/2 | 8x<br><br>s2   | 1x<br><br>z1   |
| 1x<br><br>n26   |                 |                 |                |               |                  |                  |                |                |



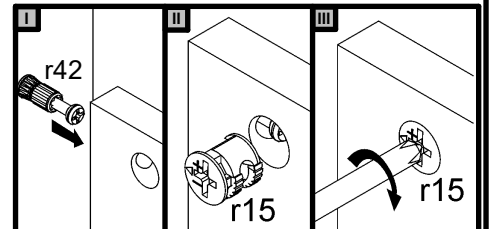
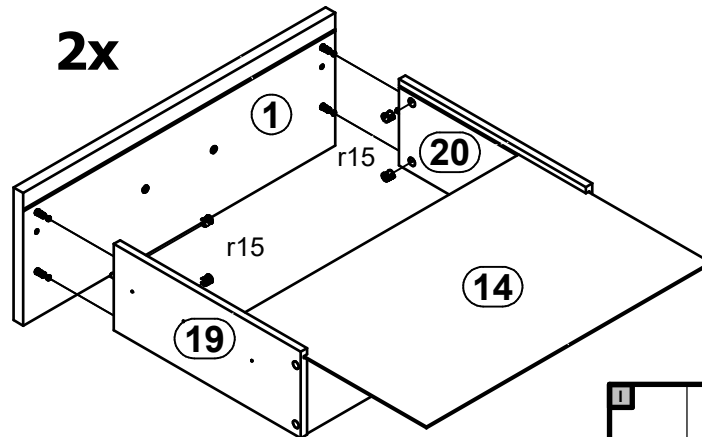
# 2



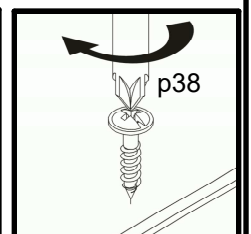
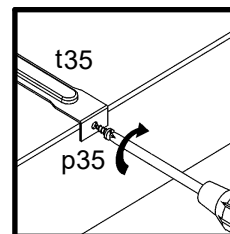
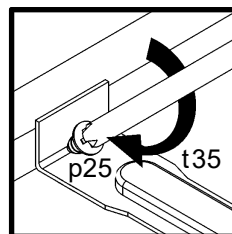
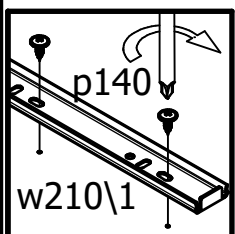
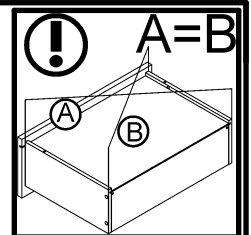
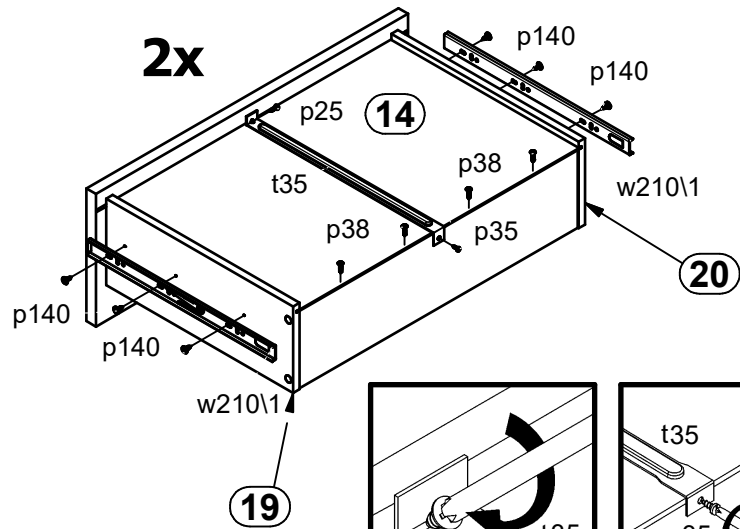
# 3



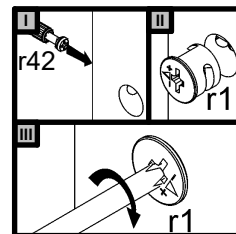
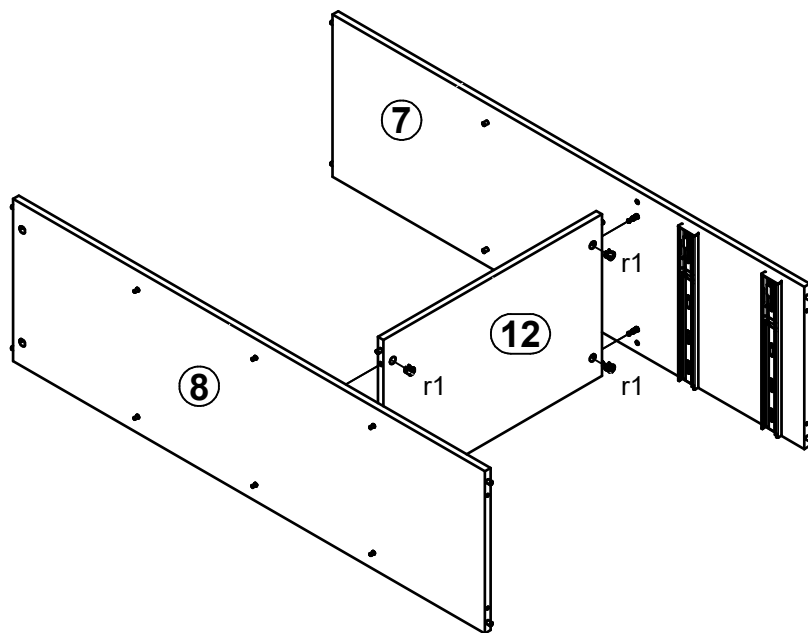
# 4



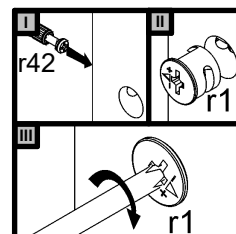
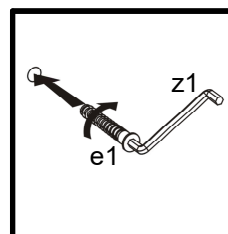
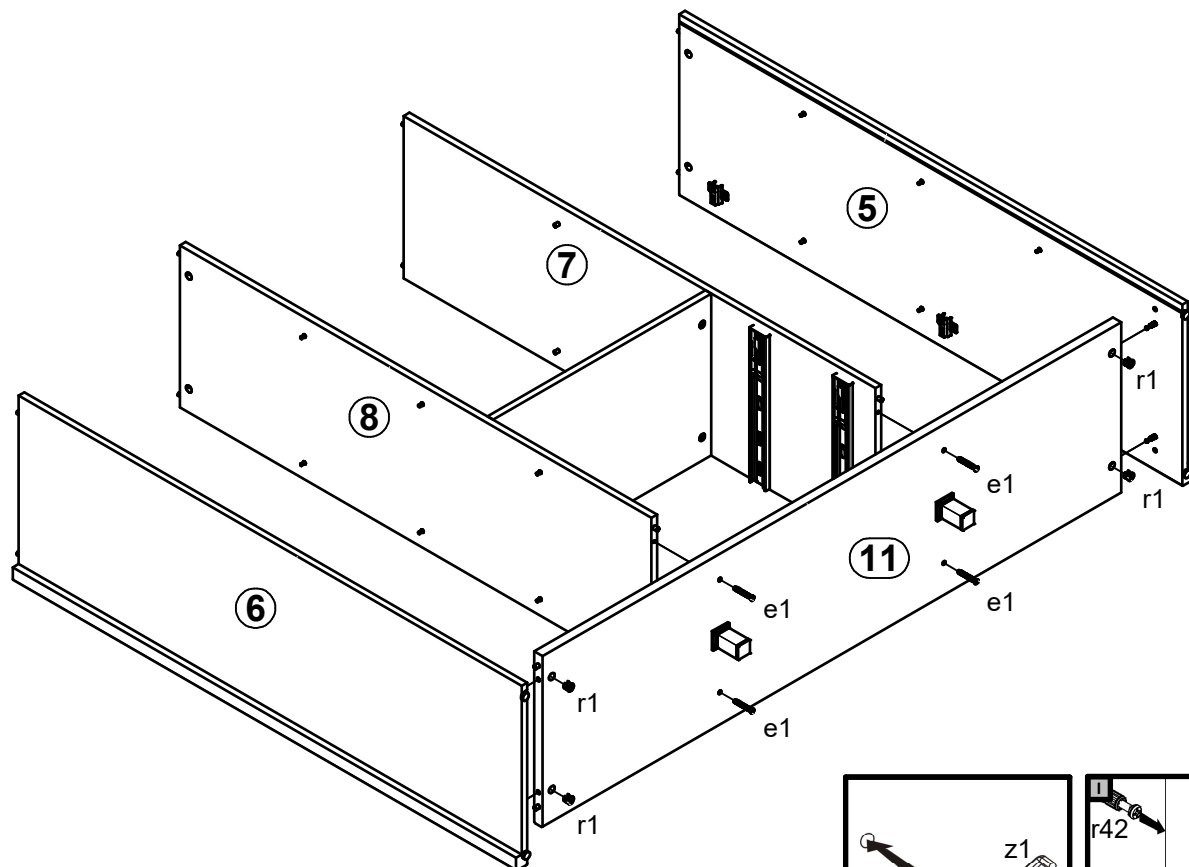
# 5



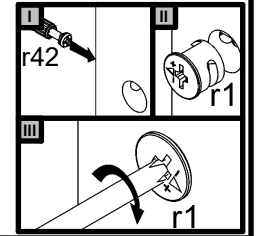
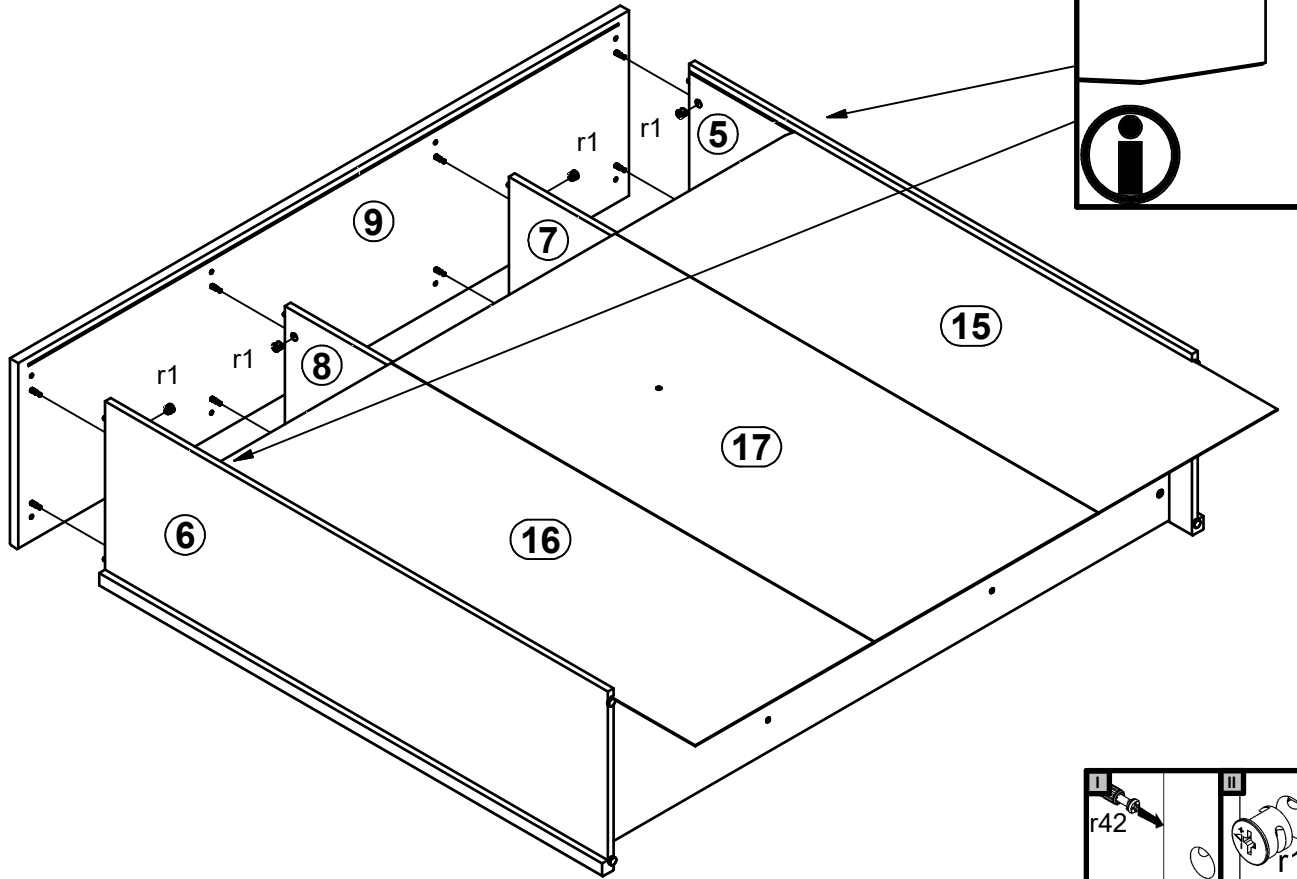
# 6



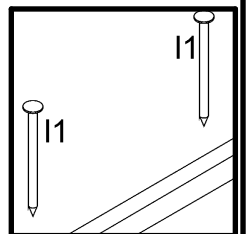
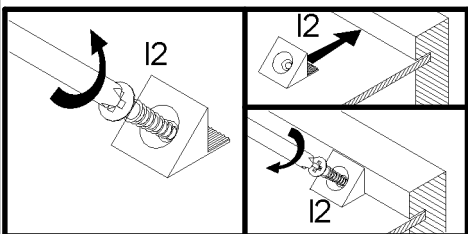
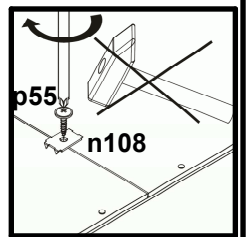
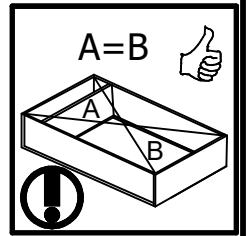
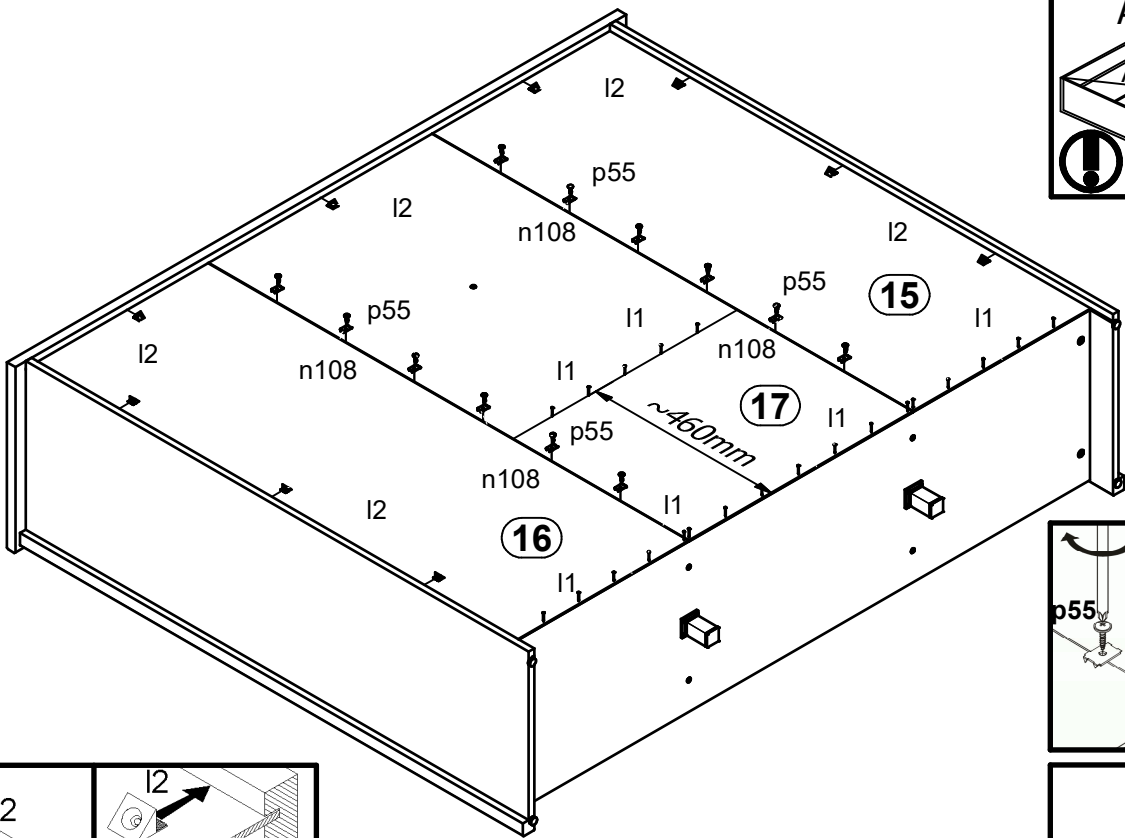
# 7



# 8



# 9



# 10

