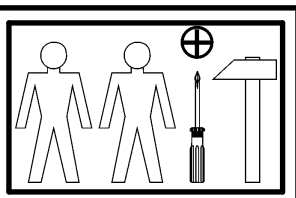
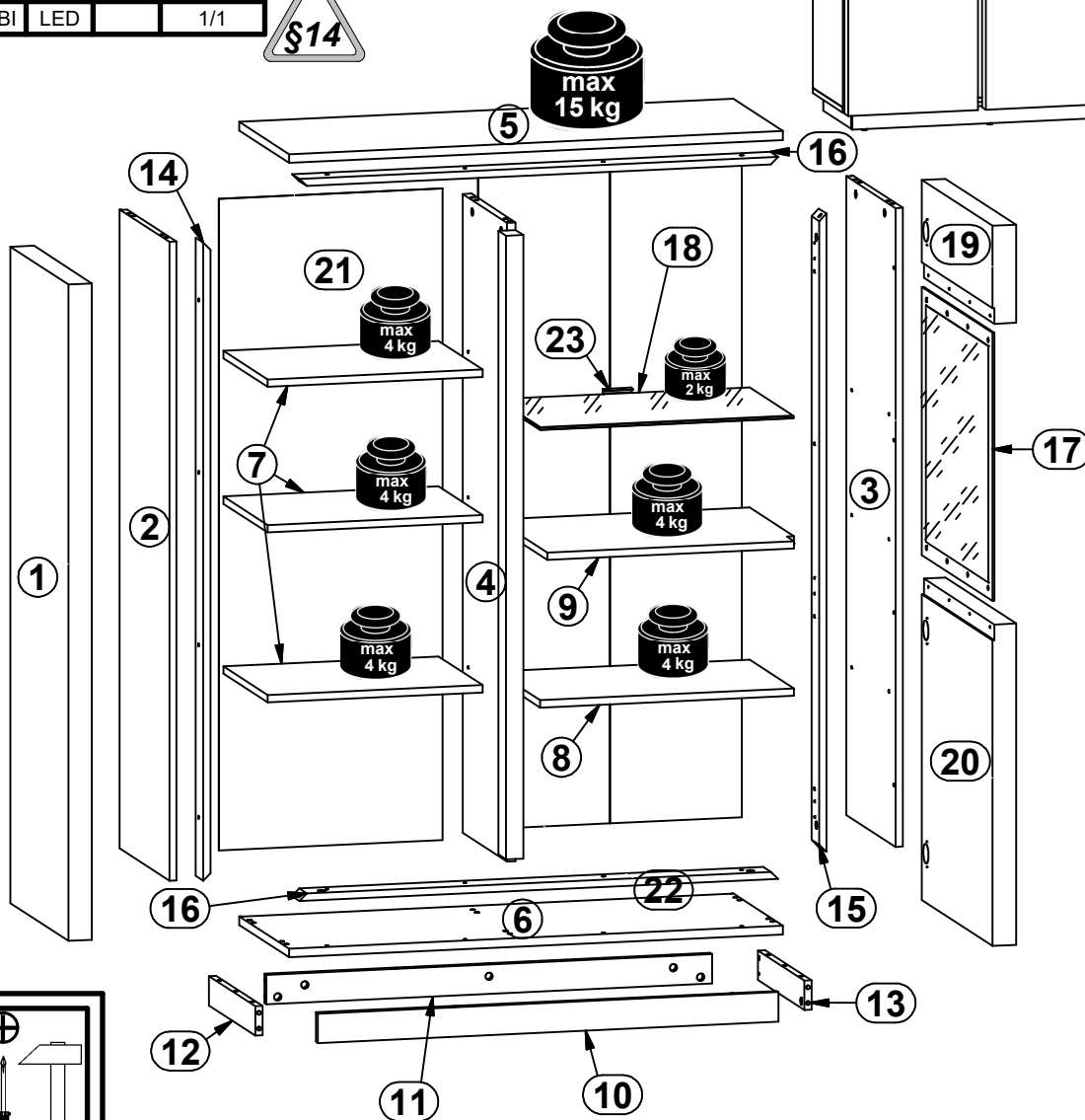
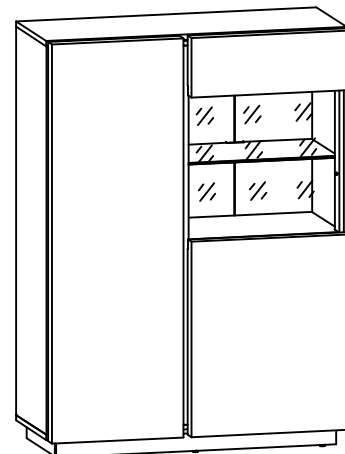


A	B	C	D	A	B	C	D		
1	S317-002	1340	450	5/7	12	S317-404	360	60	1/7
2	S317-103	1304	387	1/7	13	S317-405	360	60	1/7
3	S317-104	1304	387	1/7	14	S317-411	1303	60	4/7
4	S317-105	1304	404	1/7	15	S317-412	1303	60	4/7
5	S317-203	1029	387	1/7	16	S317-418	997	60	4/7
6	S317-204	1029	387	1/7	17	S317-501	547	550	2/7
7	S317-301	448	343	1/7	18	S317-502	528	338	3/7
8	S317-302	529	343	1/7	19	S317-701	550	200	6/7
9	S317-303	529	400	1/7	20	S317-702	550	656	7/7
10	S317-402	960	60	1/7	21	S317-903	1330	466	5/7
11	S317-403	929	60	1/7	22	S317-904	1330	549	1/7

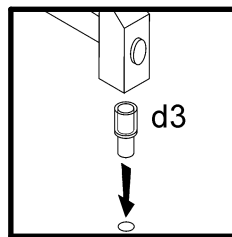
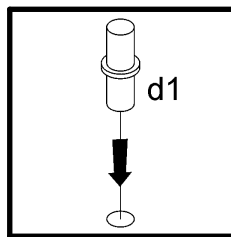
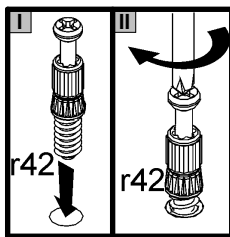
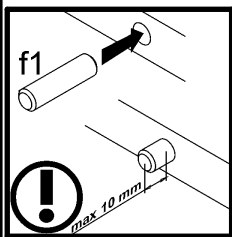
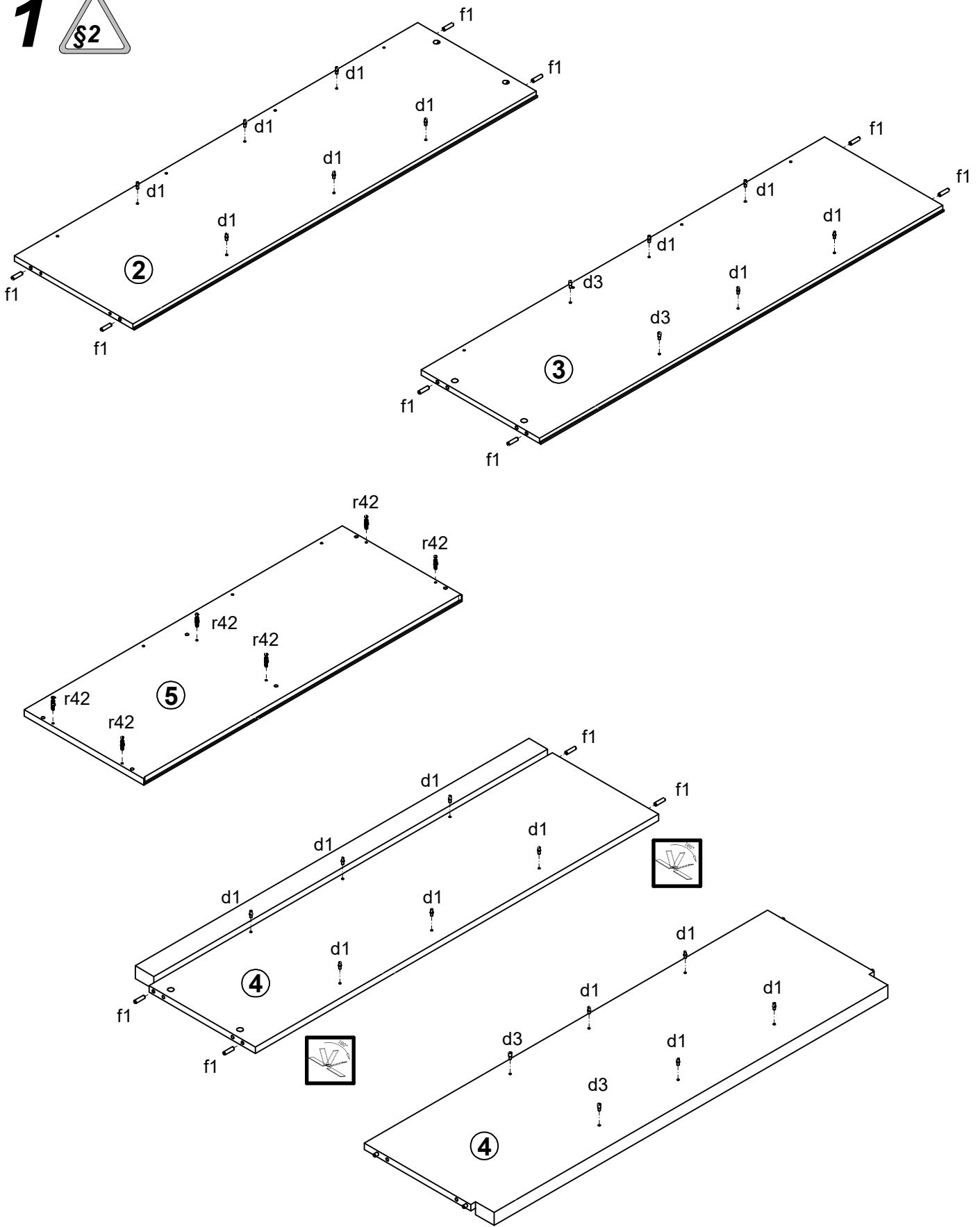


A	B	C	D
23	qb20\1_F-BI	LED	1/1

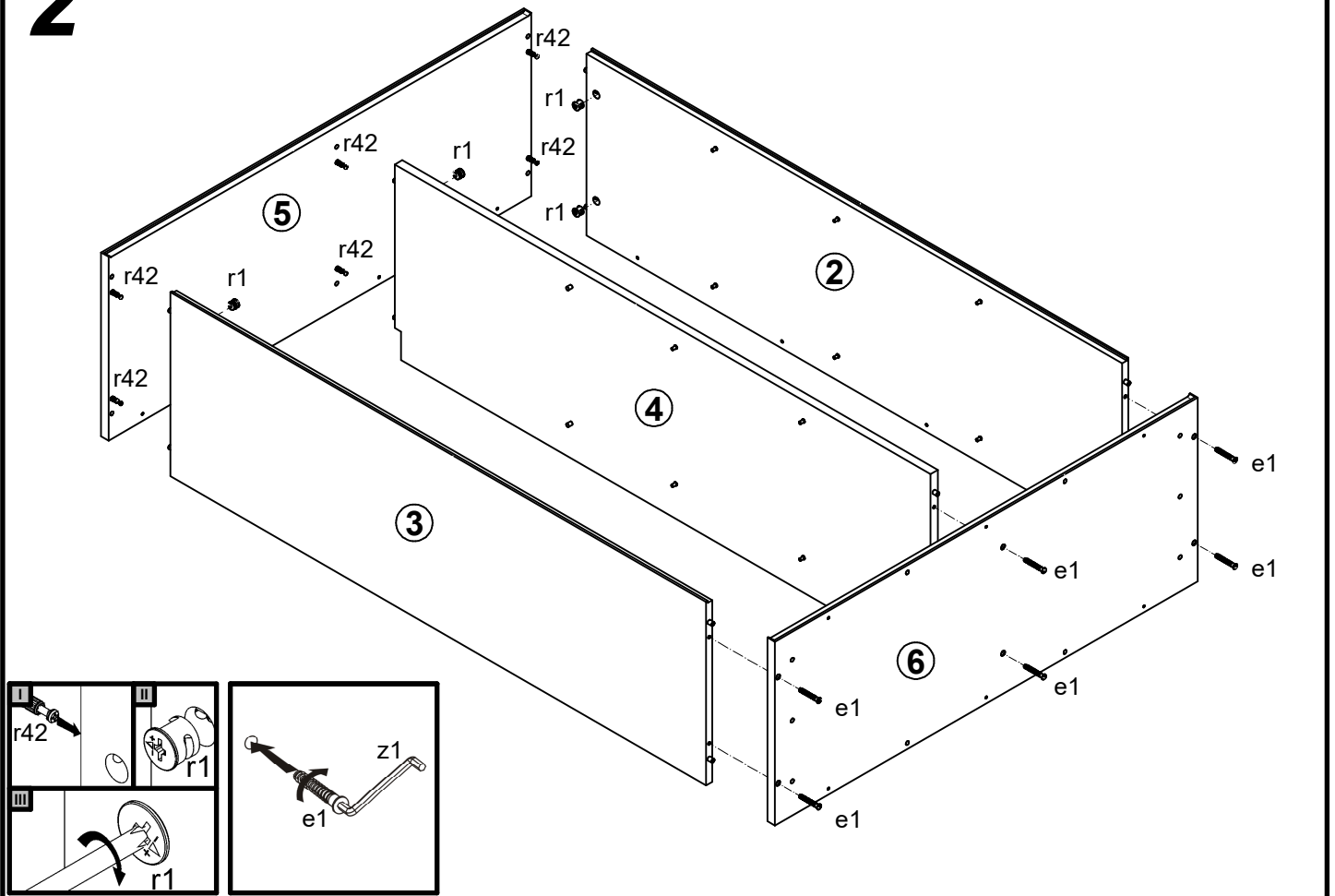


6x KO 640  a128	6x  b75	20x  Ø5x17 mm d1	4x  Ø5x17 mm d3	6x  Ø7x50 mm e1	8x  Ø5x16 mm e47	16x  Ø6,3x26 mm e52	26x  Ø8x30 mm f1	6x  k1
75x  l1	1x  n26	8x  Ø5,3/Ø8,3x4,8 mm o54	1x  Ø3,5x16 mm p38	12x  Ø3,5x15 mm p51	24x  Ø15x12 mm #16 r1	4x  39/39 r38	16x  20/11 r42	10x  Ø16 s2
1x  z1								

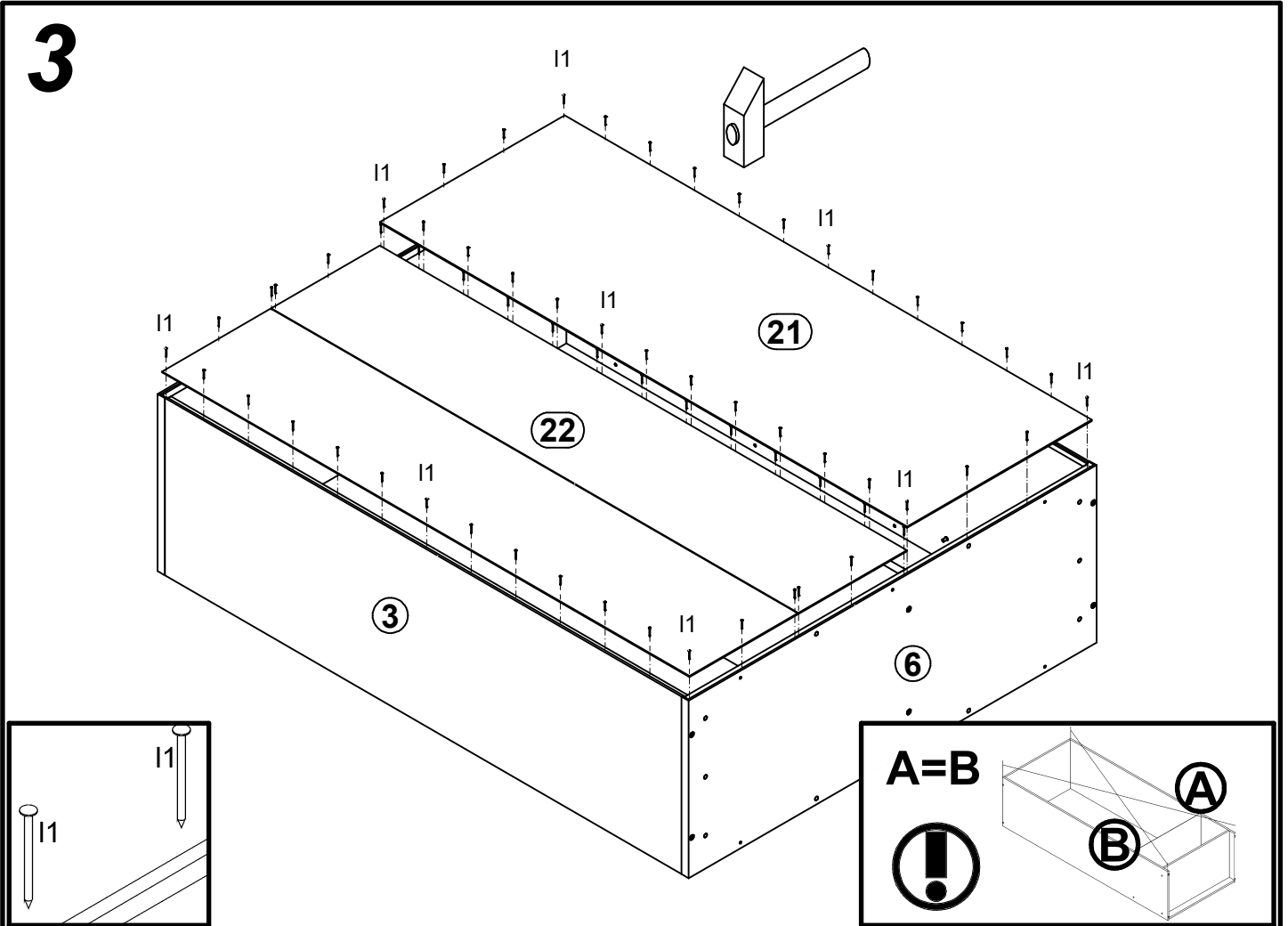
**1** 



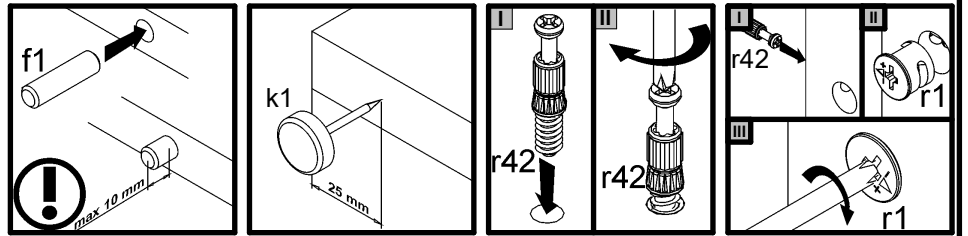
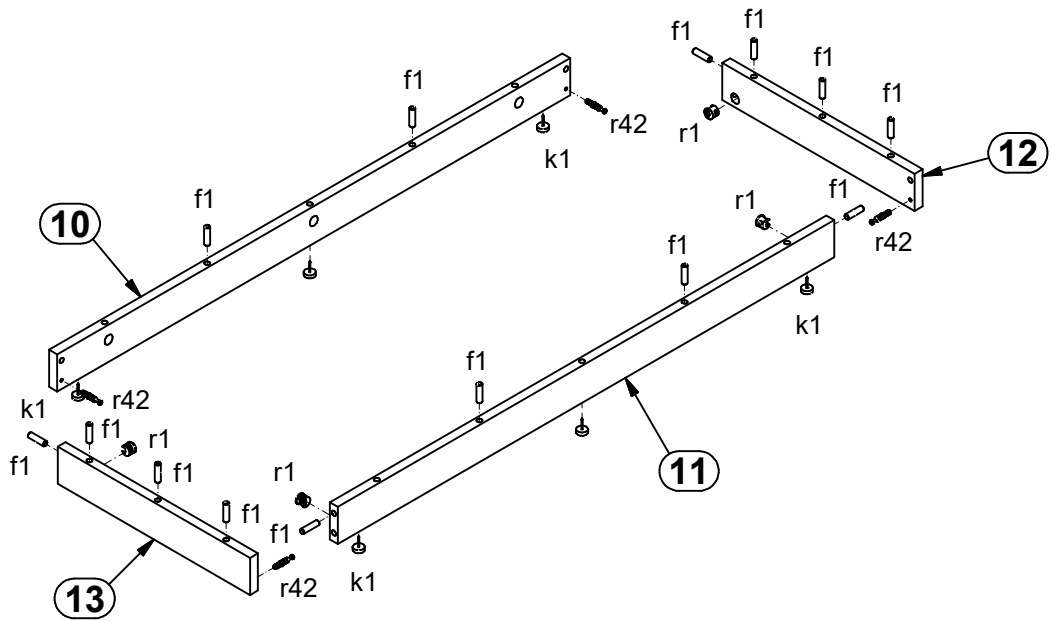
# 2



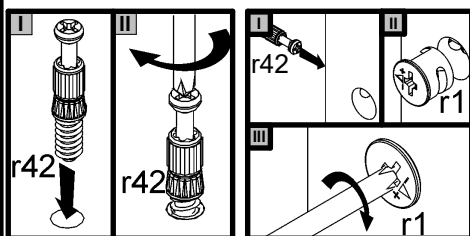
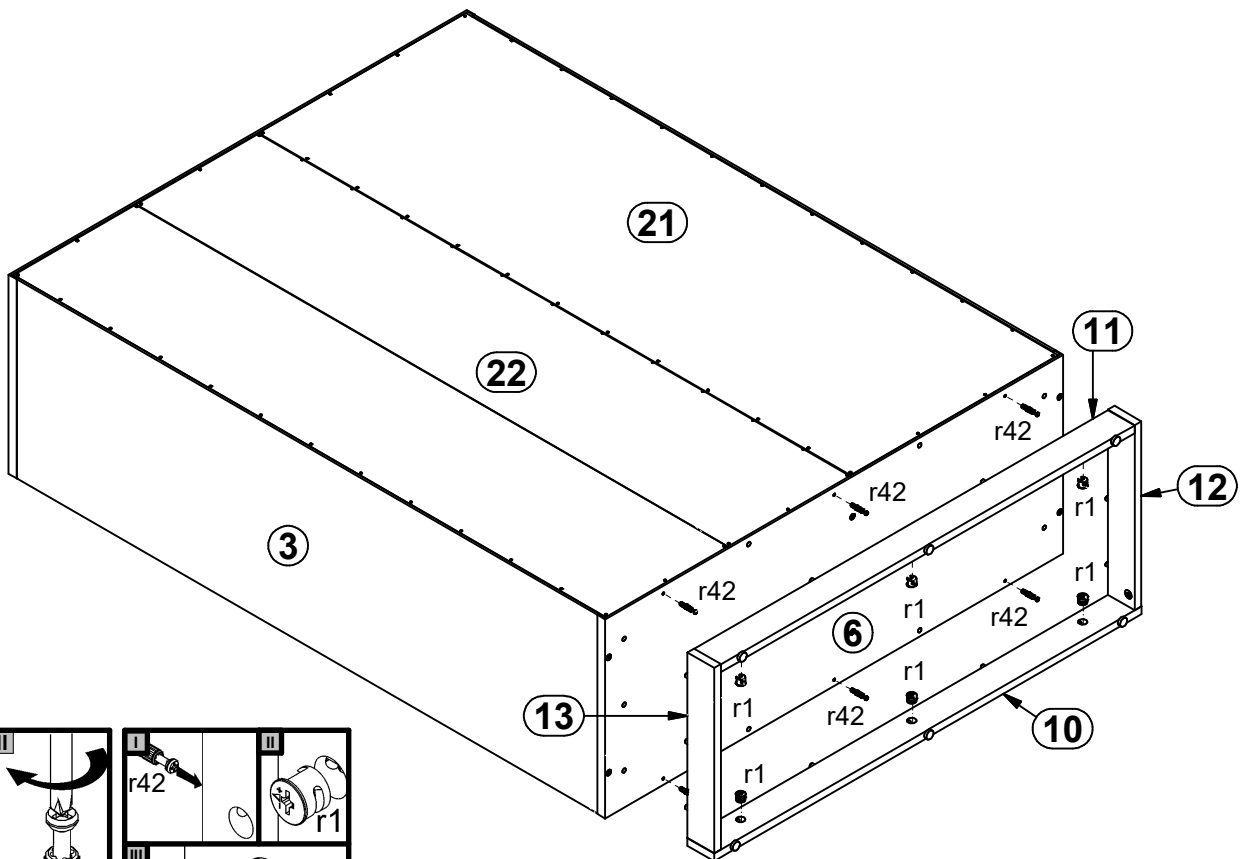
# 3



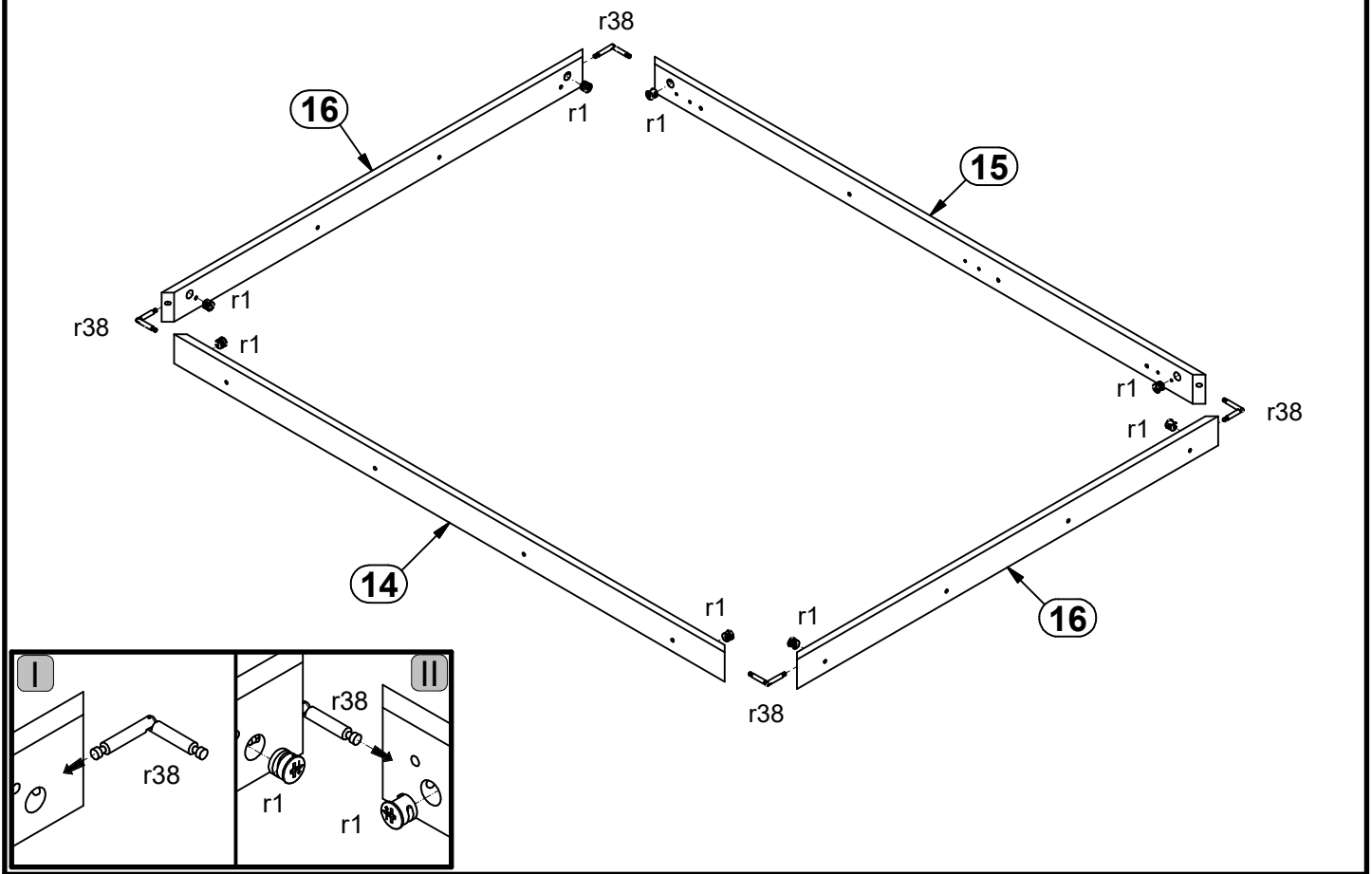
# 4



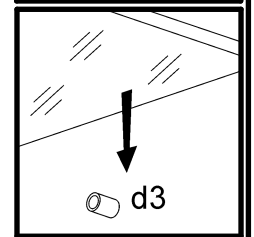
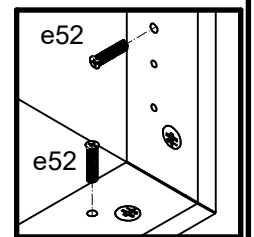
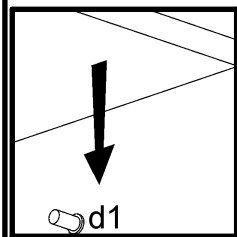
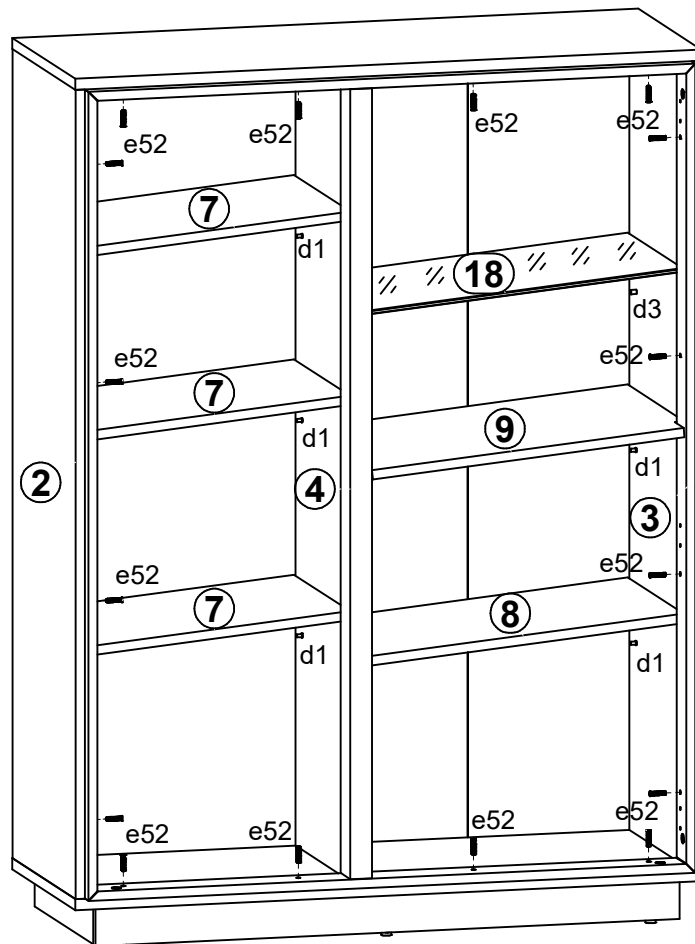
# 5



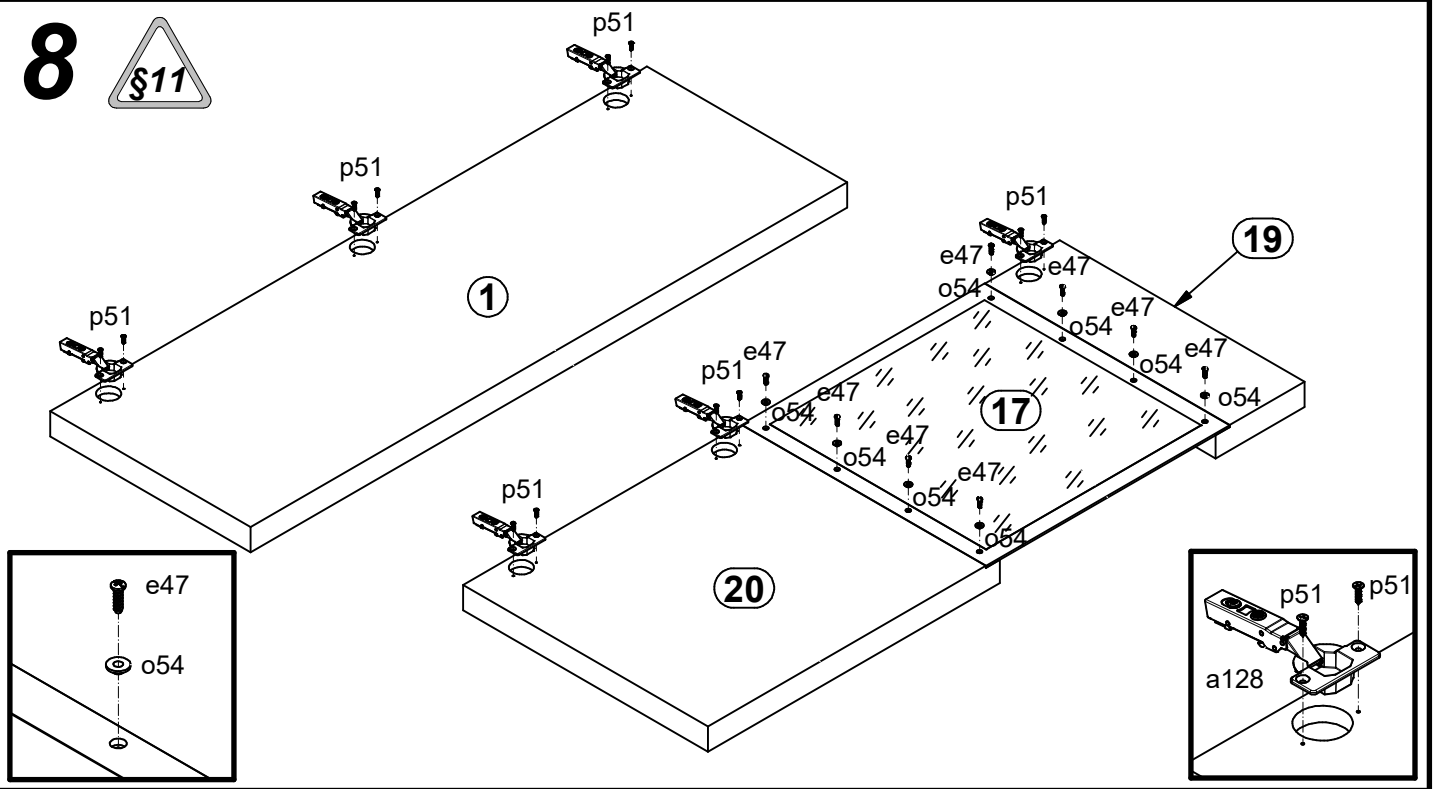
# 6



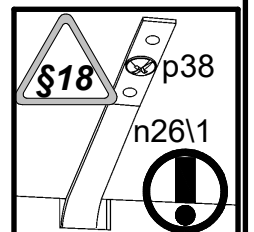
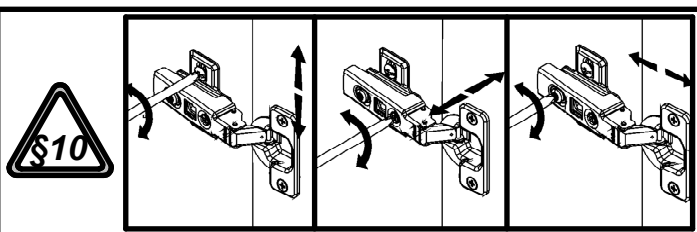
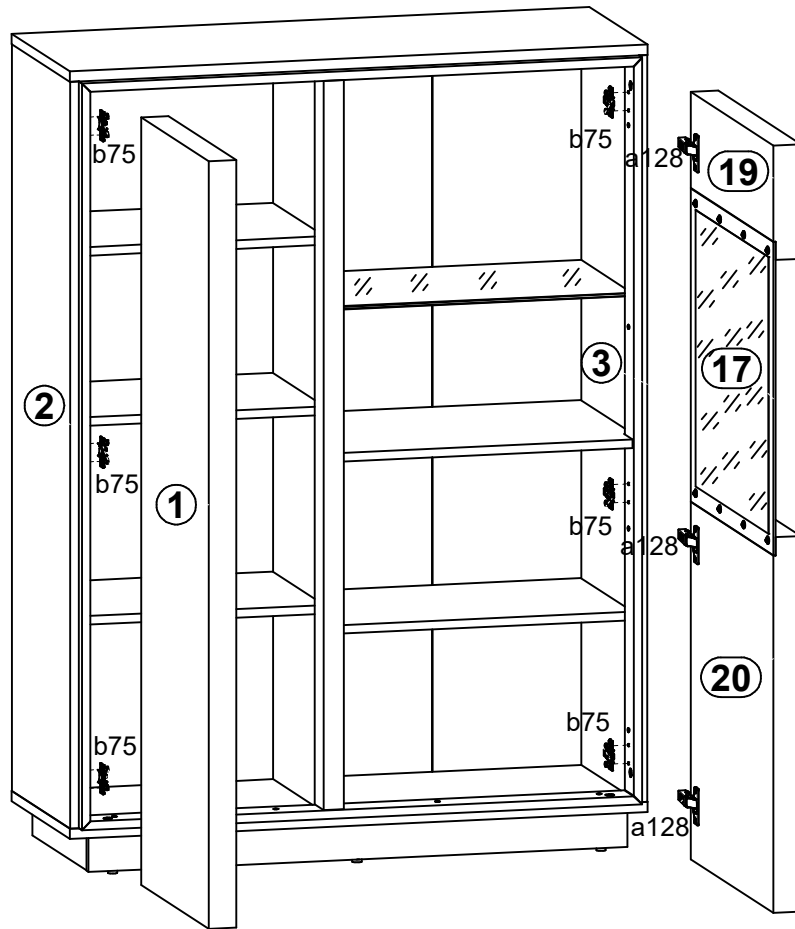
# 7



# 8



# 9



# 10

